

US00D552383S

(12) **United States Design Patent**  
**Glebe**

(10) **Patent No.:** **US D552,383 S**

(45) **Date of Patent:** **\*\* Oct. 9, 2007**

(54) **LEGS FOR AN EASEL**

(76) **Inventor:** **Gregory N. Glebe**, 2217 Sun Rose Way, Fort Collins, CO (US) 80524

(\*\*) **Term:** **14 Years**

(21) **Appl. No.:** **29/269,746**

(22) **Filed:** **Dec. 7, 2006**

(51) **LOC (8) Cl.** ..... **06-07**

(52) **U.S. Cl.** ..... **D6/491; D6/312**

(58) **Field of Classification Search** ..... D6/300-304,  
D6/308-319, 368, 349, 380, 370; D20/10,  
D20/40; 40/700, 745, 765, 780, 790, 798;  
248/441.1, 455, 445, 448, 454, 460, 462,  
248/463, 464, 465, 188.5, 163.1, 451; 297/446.1,  
297/59

See application file for complete search history.

(56) **References Cited**

**U.S. PATENT DOCUMENTS**

D156,935	S	*	1/1950	Carlson	.....	D6/368
2,606,597	A	*	8/1952	Carlson	.....	297/59
3,501,199	A	*	3/1970	Kapnek	.....	297/446.1
D276,107	S	*	10/1984	Grosfillex	.....	D6/368
D410,796	S	*	6/1999	Sabo	.....	D6/349
D420,226	S	*	2/2000	Sabo	.....	D6/380

D439,067	S	*	3/2001	Vertongen	.....	D6/370
D442,379	S	*	5/2001	Vertongen	.....	D6/368
D493,293	S	*	7/2004	Vira	.....	D6/349
D518,303	S	*	4/2006	Vira	.....	D6/368

\* cited by examiner

*Primary Examiner*—Caron D. Veynar

*Assistant Examiner*—Sydney R. Buffalow

(74) *Attorney, Agent, or Firm*—Ted Masters

(57) **CLAIM**

The ornamental design for legs for an easel, as shown and described

**DESCRIPTION**

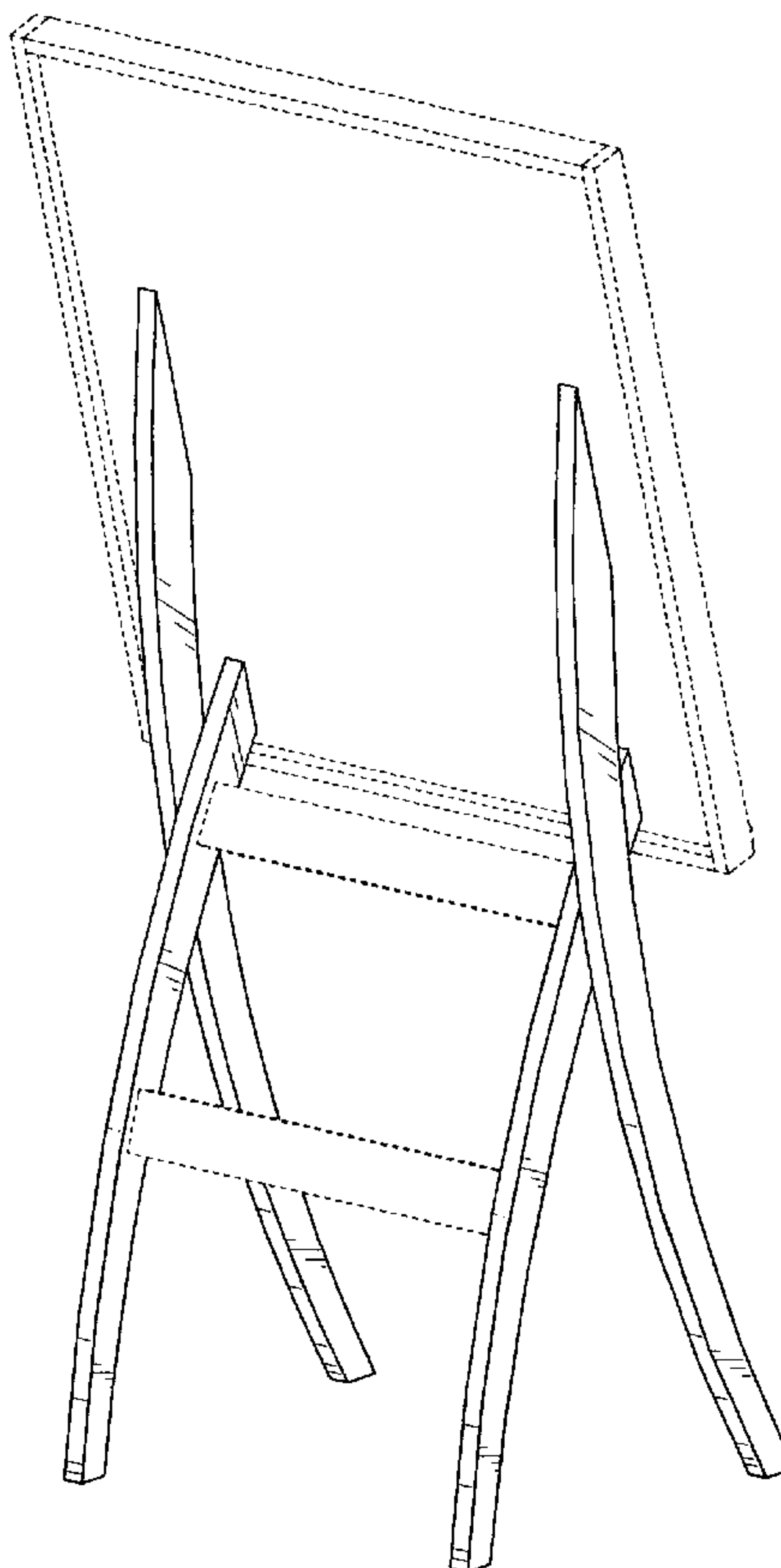
FIG. 1 is a right rear perspective view of an easel showing my new design, the left rear perspective view being the mirror image;

FIG. 2 is a rear elevation view of the easel; and,

FIG. 3 is a right side elevation view of the easel, the left side elevation view being the mirror image.

The broken lines showing the framed display board, the front projecting tray, and the cross braces between the short legs are for illustrative purposes only and form no part of the claimed design.

**1 Claim, 3 Drawing Sheets**



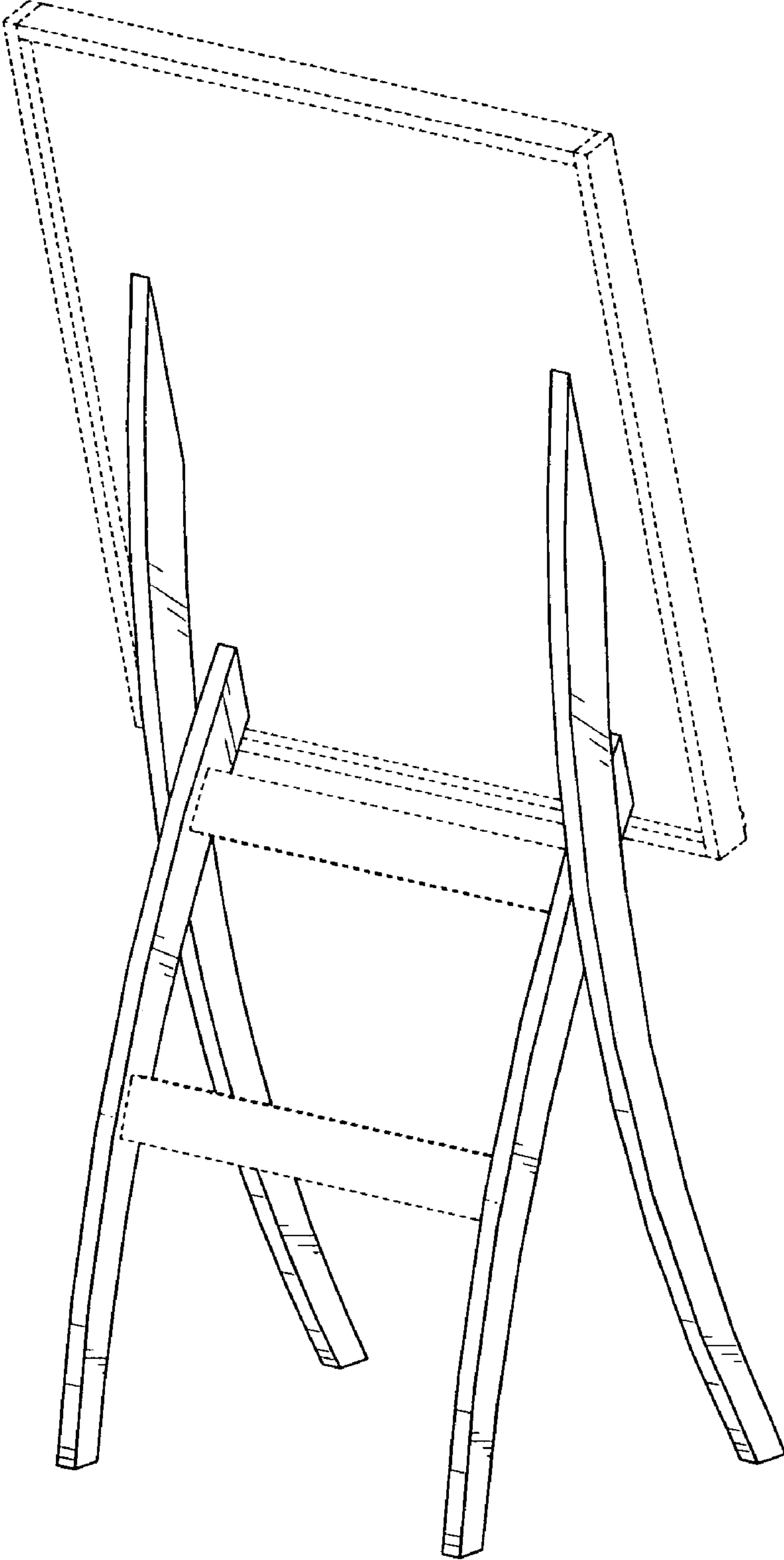


FIG. 1

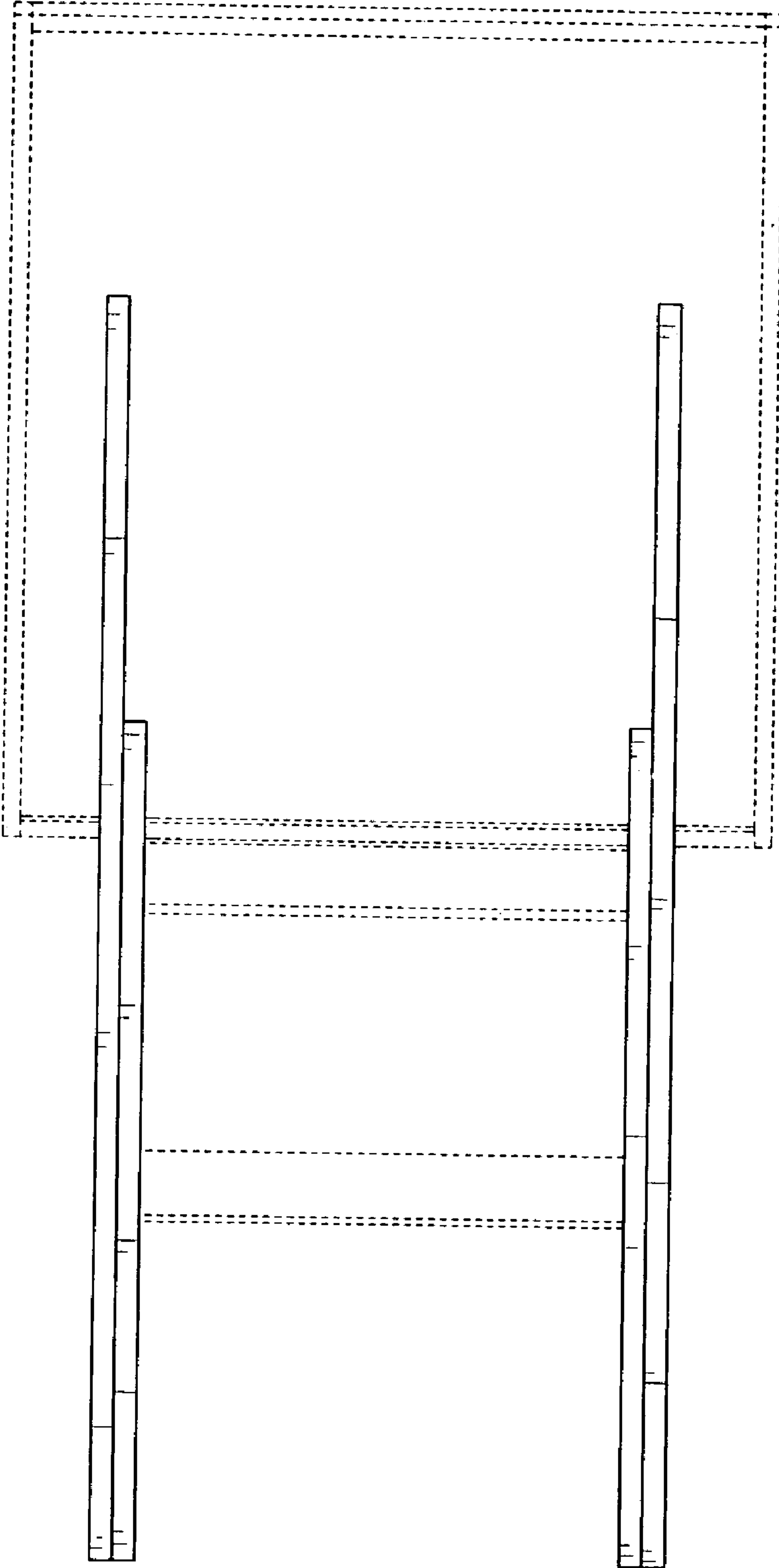


FIG. 2

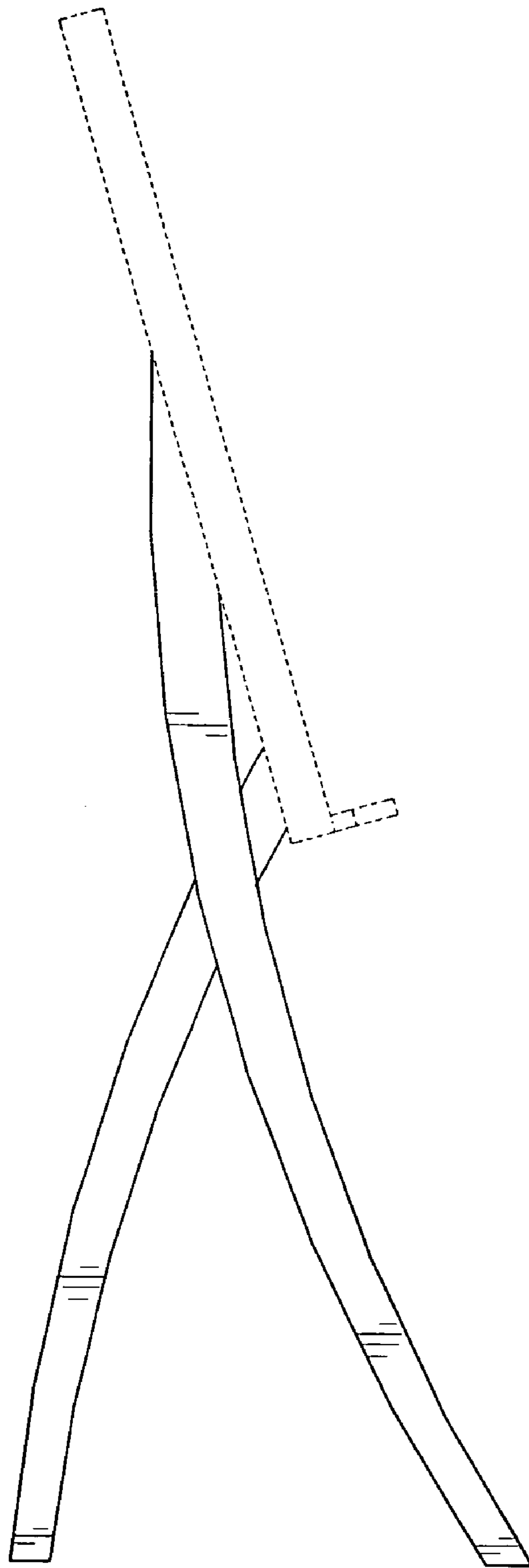


FIG. 3