



US00D552379S

(12) **United States Design Patent**
Zandt

(10) **Patent No.:** **US D552,379 S**
(45) **Date of Patent:** **** Oct. 9, 2007**

(54) **WALL MOUNTABLE MERCHANDISING
DISPLAY CASE**

D446,972 S * 8/2001 Aguayo, Jr. D6/470
D464,218 S * 10/2002 Clarke et al. D6/472
7,147,904 B1 * 12/2006 Crawford 206/446

(76) Inventor: **Jimmy C. Zandt**, 1769 San Luis Dr.,
San Luis Obispo, CA (US) 93401

* cited by examiner

(**) Term: **14 Years**

Primary Examiner—Mimosa De

(74) *Attorney, Agent, or Firm*—Philip A Steiner

(21) Appl. No.: **29/248,717**

(57) **CLAIM**

(22) Filed: **Aug. 30, 2006**

The ornamental design for a wall mountable merchandising display case, as shown and described.

(51) **LOC (8) Cl.** **06-04**

(52) **U.S. Cl.** **D6/472; D6/470**

(58) **Field of Classification Search** D6/449,
D6/457, 470–472, 552, 553; 206/407, 446;
312/114, 117, 118, 138.1, 204; D19/89
See application file for complete search history.

DESCRIPTION

FIG. 1 is a top view depicting a design of the wall mountable merchandising display case.

FIG. 2 is a frontal view depicting a design of the wall mountable merchandising display case.

FIG. 3 is a side view depicting a design of the wall mountable merchandising display case.

FIG. 4 is a bottom view depicting a design of the wall mountable merchandising display case; and,

FIG. 5 is a perspective view depicting a design of the wall mountable merchandising display case.

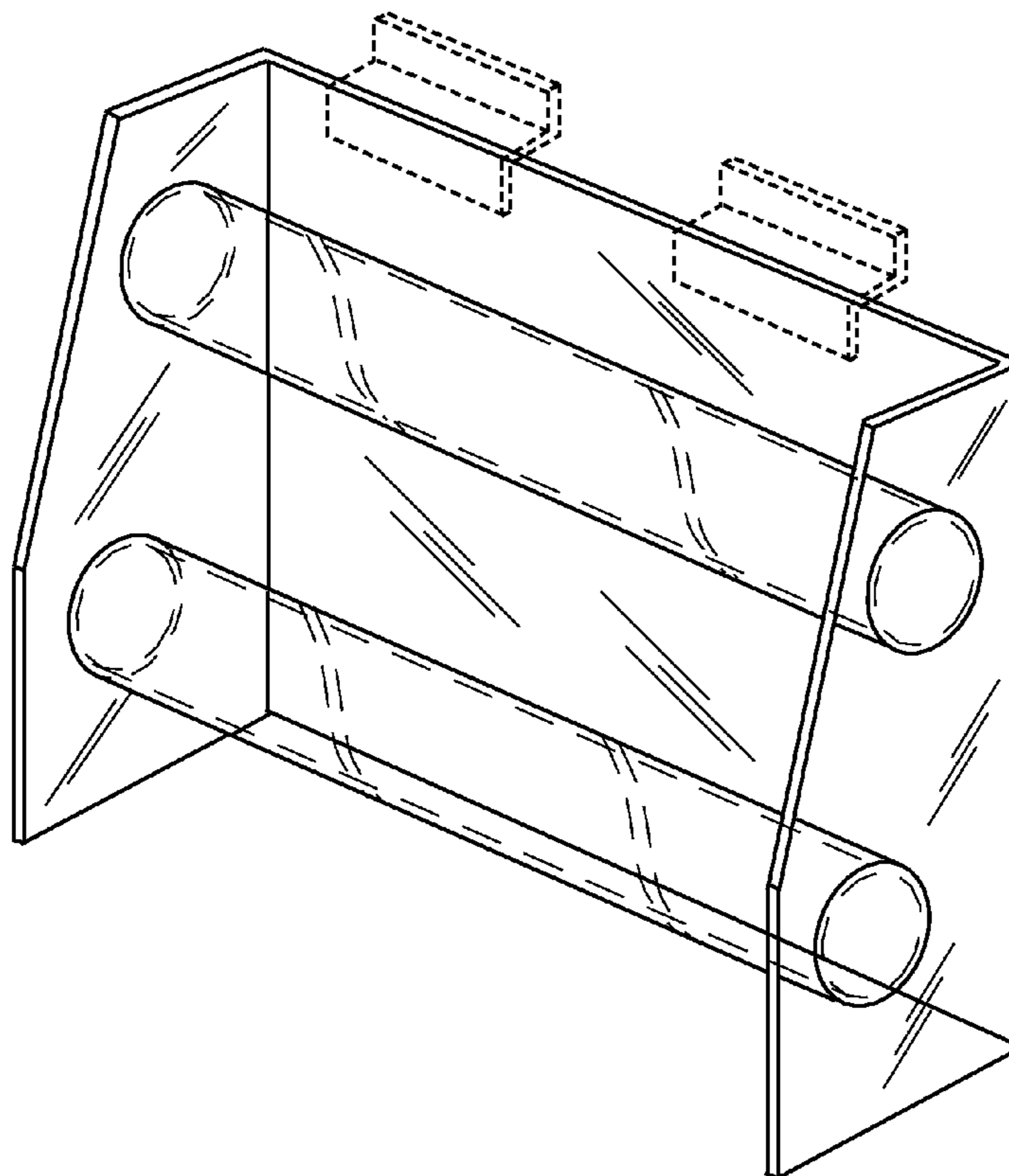
The broken lines showing in the drawing are for illustrative purposes only and form no part of the claimed design.

(56) **References Cited**

U.S. PATENT DOCUMENTS

D179,424 S *	12/1956	Olejniczak	D6/472
3,096,101 A *	7/1963	Raddeman	D19/89
D249,311 S *	9/1978	Coulthurst	D6/457
D300,394 S *	3/1989	Blum et al.	D6/471
D321,800 S *	11/1991	Blum	D6/472
D327,997 S *	7/1992	Rubin	D6/471
D335,595 S *	5/1993	Bowen	D6/472
D362,022 S *	9/1995	Larson	D19/89
D422,440 S *	4/2000	De Vries	D6/553

1 Claim, 3 Drawing Sheets



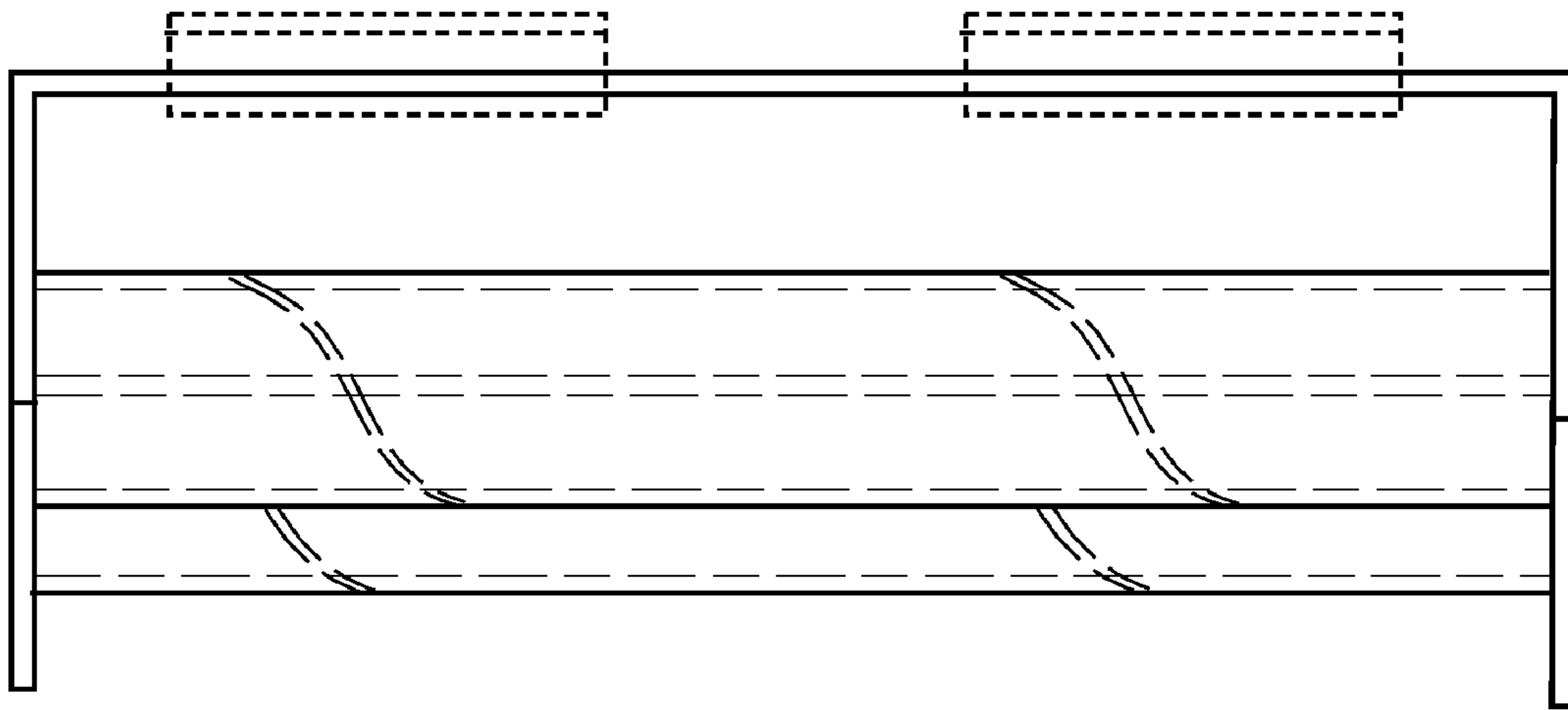


Fig. 1

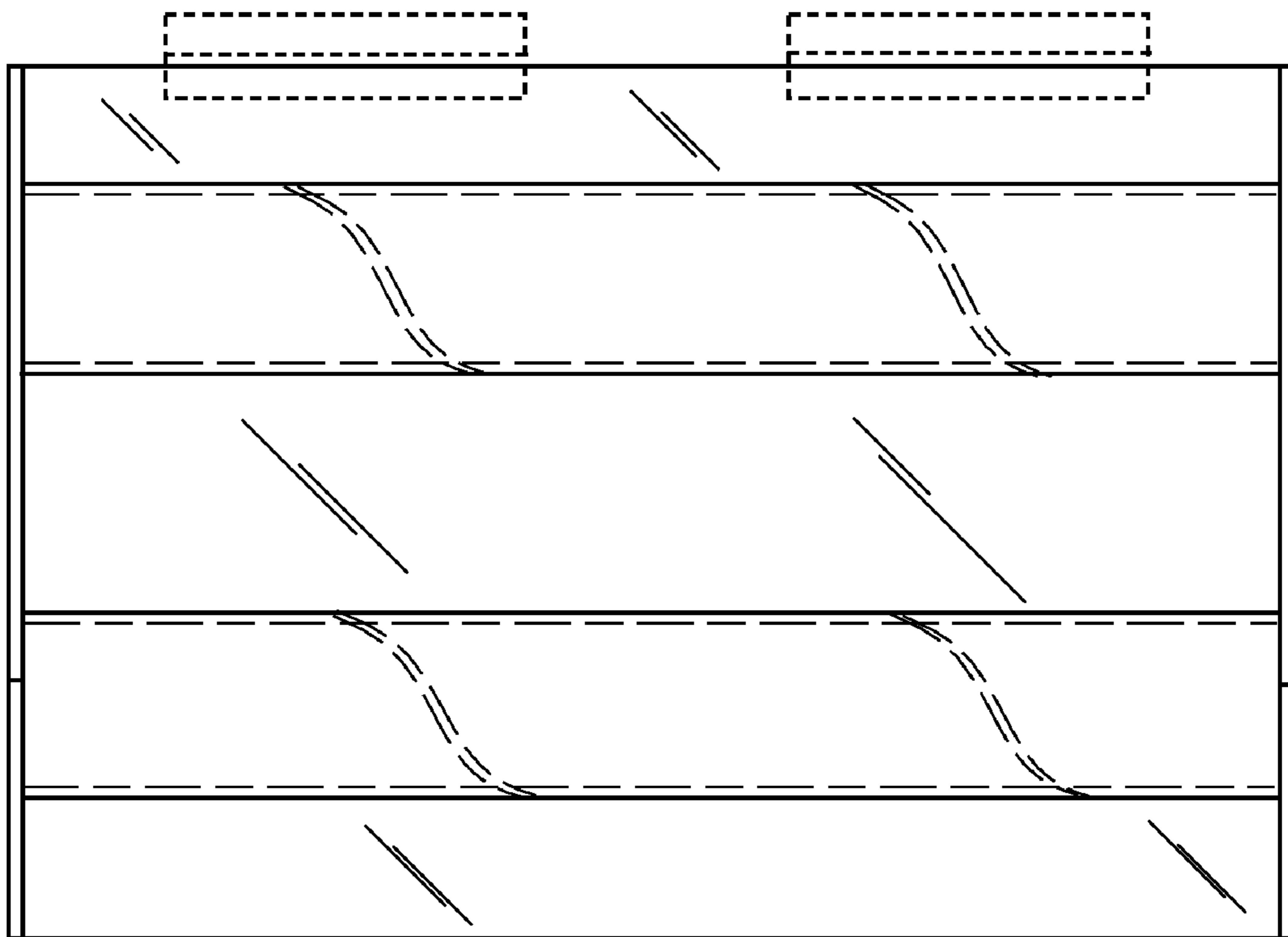


Fig. 2

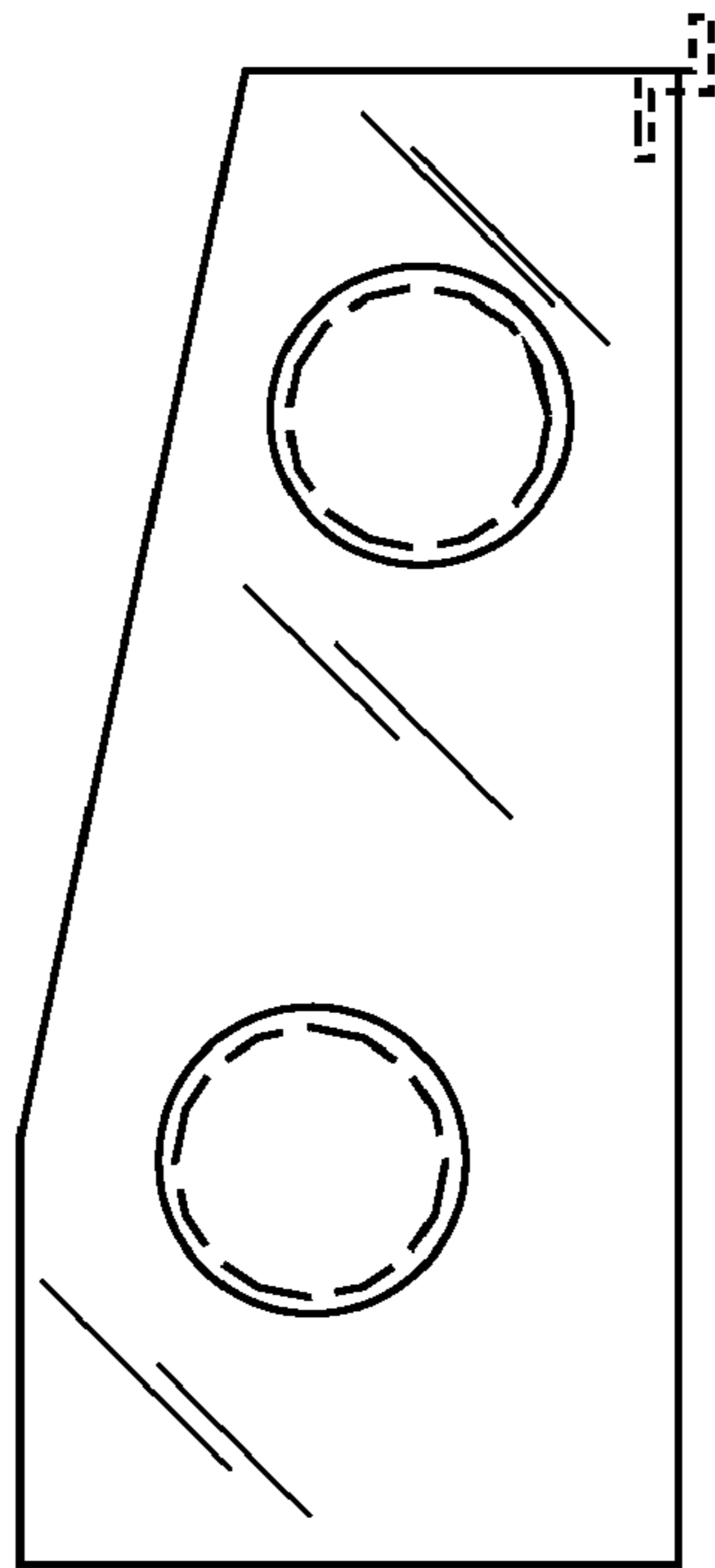


Fig. 3

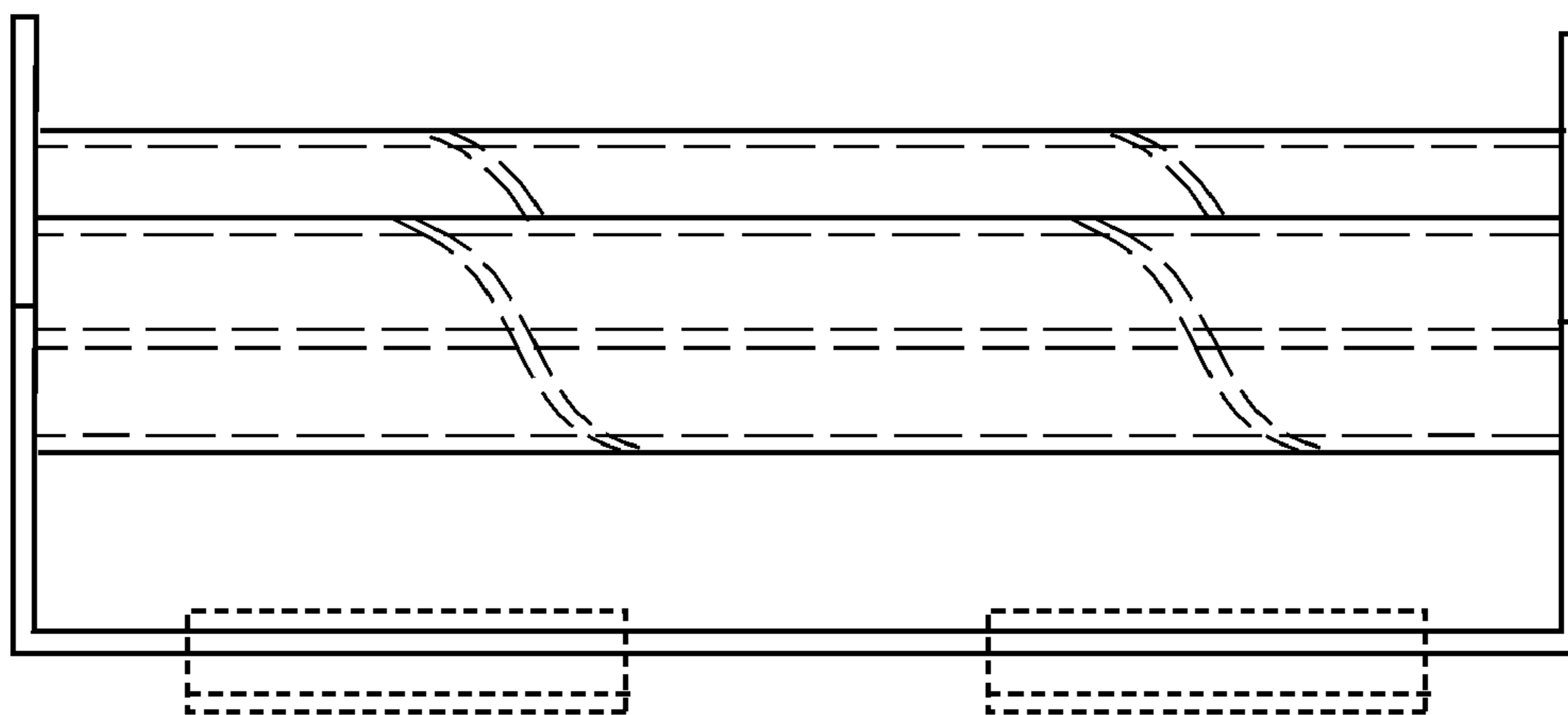


Fig. 4

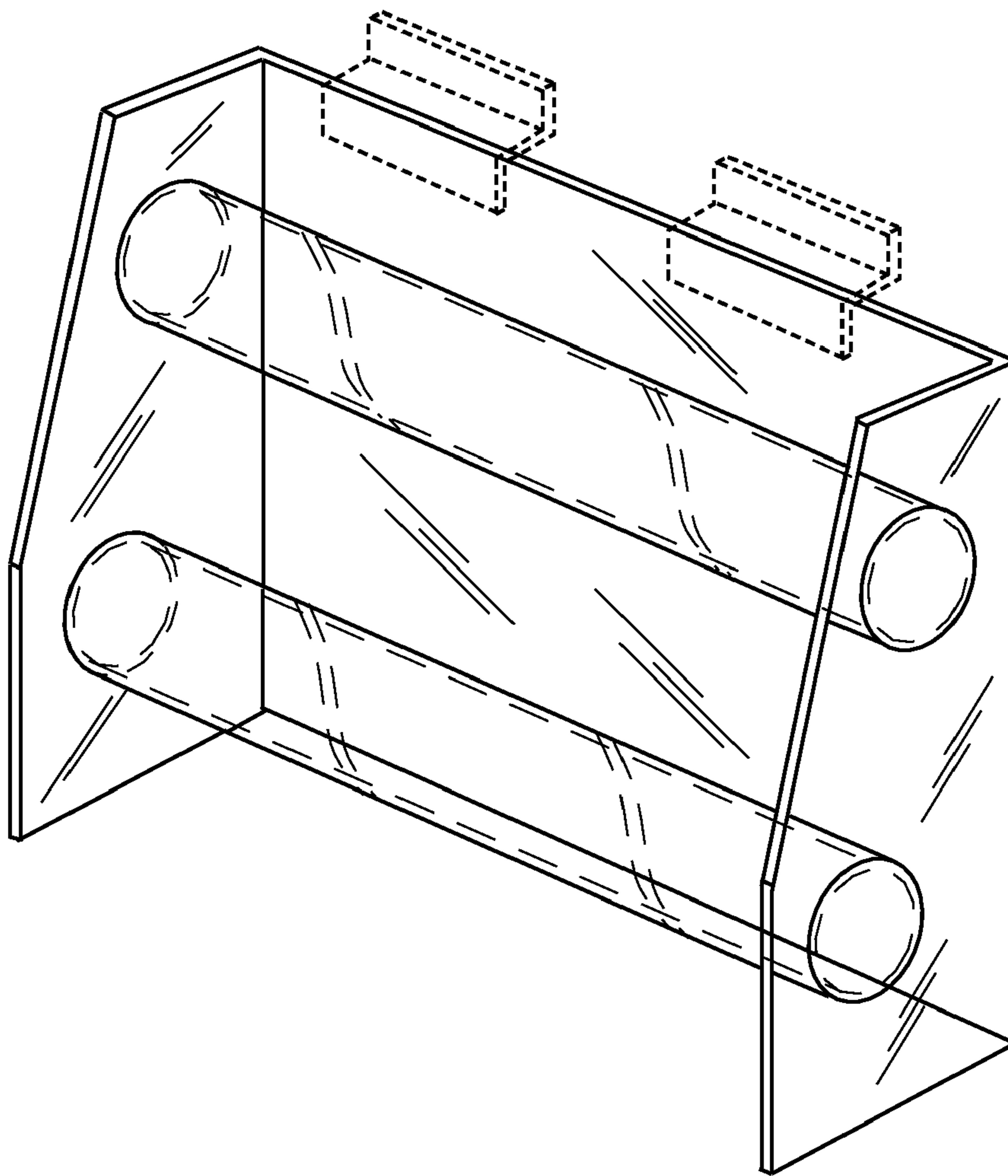


Fig. 5