



US00D552378S

(12) **United States Design Patent**  
**Hussaini et al.**

(10) **Patent No.:** **US D552,378 S**

(45) **Date of Patent:** **\*\* Oct. 9, 2007**

(54) **VIDEO GAME STORAGE DEVICE**

D483,605 S \* 12/2003 Gronda ..... D7/359  
D485,459 S \* 1/2004 Bidwell et al. .... D6/511  
D522,790 S \* 6/2006 Hunt et al. .... D6/629

(75) Inventors: **Saied Hussaini**, Miami, FL (US); **Marc Iacovelli**, Miami, FL (US)

\* cited by examiner

(73) Assignee: **Intec, Inc.**, Miami, FL (US)

*Primary Examiner*—Caron D. Veynar

(\*\*) Term: **14 Years**

*Assistant Examiner*—Sydney R. Buffalow

(74) *Attorney, Agent, or Firm*—Berenato, White & Stavish

(21) Appl. No.: **29/243,991**

(57) **CLAIM**

(22) Filed: **Dec. 5, 2005**

The ornamental design for a video game storage device, as shown and described.

(51) **LOC (8) Cl.** ..... **06-04**

(52) **U.S. Cl.** ..... **D6/467**

(58) **Field of Classification Search** ..... D6/407,  
D6/629, 630, 464-468, 449, 396, 397, 511;  
211/40, 41, 42, 85.4, 49.1; D19/75, 76, 91;  
D7/359, 409; 312/9.9, 9.47, 9.48, 9.51, 9.52,  
312/9.64

See application file for complete search history.

**DESCRIPTION**

FIG. 1 is a perspective view of the video game storage device according to the present invention.

FIG. 2 is a front view of the video game storage device of FIG. 1.

FIG. 3 is a rear view of the video game storage device of FIG. 1.

FIG. 4 is a right side view of the video game storage device of FIG. 1.

FIG. 5 is a left side view of the video game storage device of FIG. 1.

FIG. 6 is a top view of the video game storage device of FIG. 1; and,

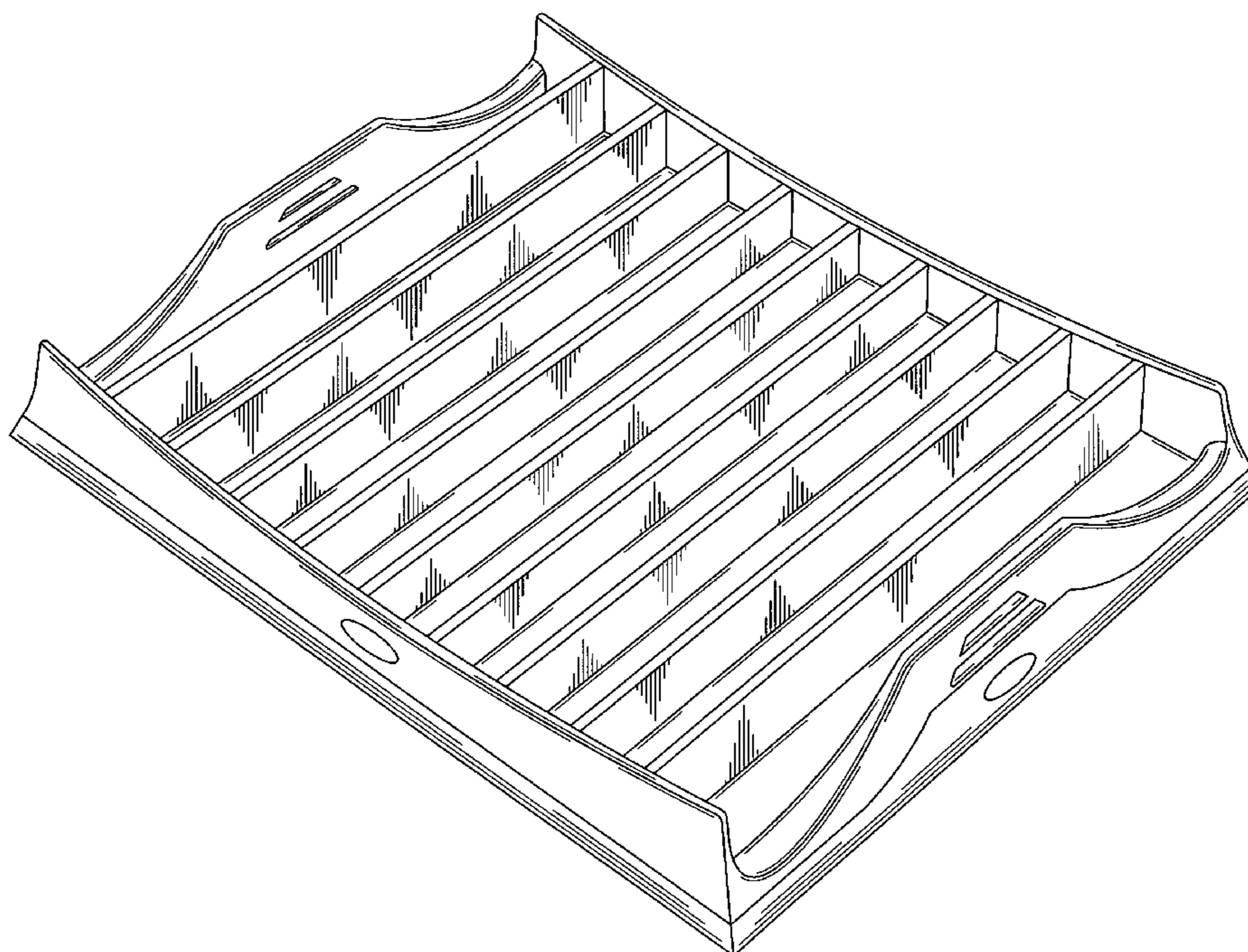
FIG. 7 is a bottom view of the video game storage device of FIG. 1.

(56) **References Cited**

U.S. PATENT DOCUMENTS

3,960,268 A \* 6/1976 Davis et al. .... 206/456  
D297,393 S \* 8/1988 Picozza et al. .... D7/359  
D332,187 S \* 1/1993 Stravitz ..... D6/407  
D358,525 S \* 5/1995 Sedon et al. .... D6/629  
D362,154 S \* 9/1995 Pusateri ..... D7/359  
D365,495 S \* 12/1995 O'Higgins ..... D7/359  
D393,980 S \* 5/1998 Kellermann ..... D7/409  
D443,790 S \* 6/2001 Bennett ..... D6/629  
D463,202 S \* 9/2002 Smith ..... D7/359  
D471,397 S \* 3/2003 Wright ..... D7/359

**1 Claim, 5 Drawing Sheets**



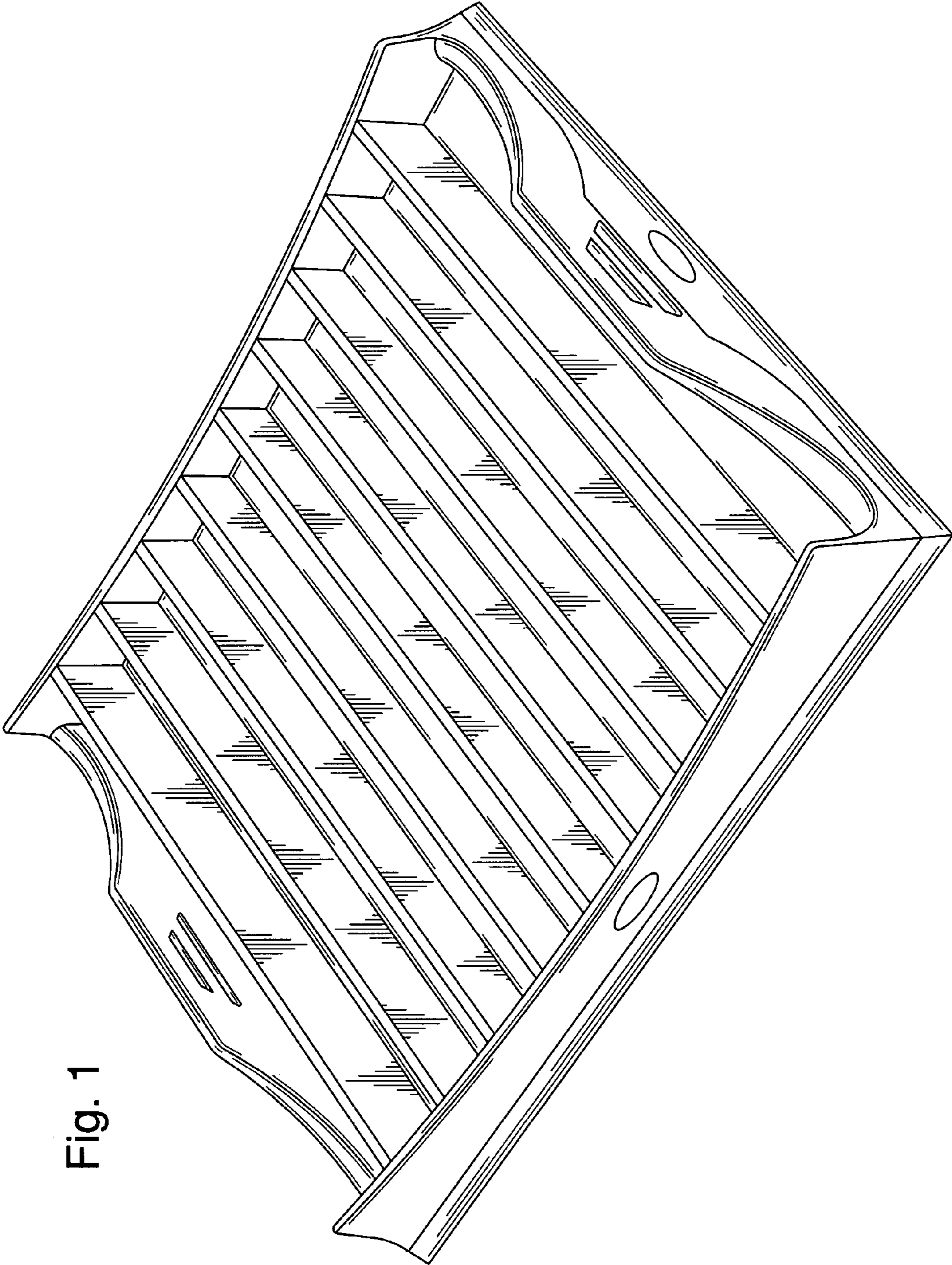


Fig. 1

Fig. 2

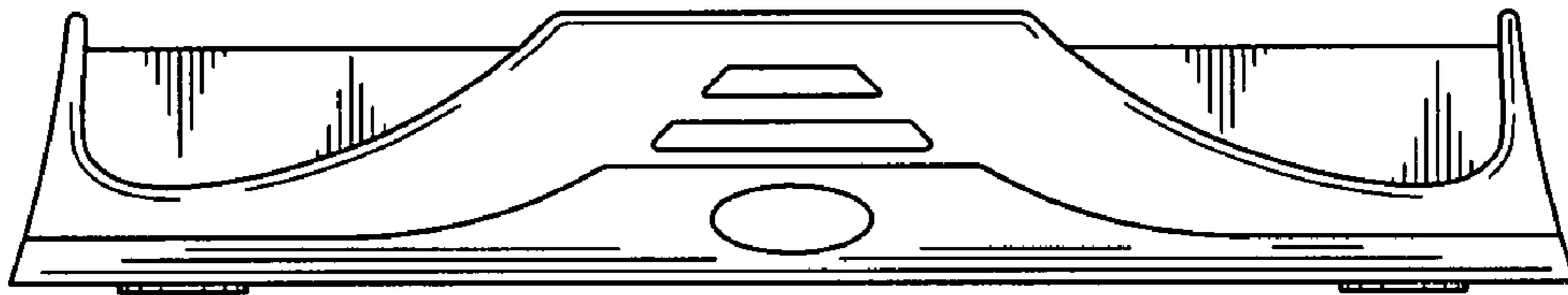


Fig. 3

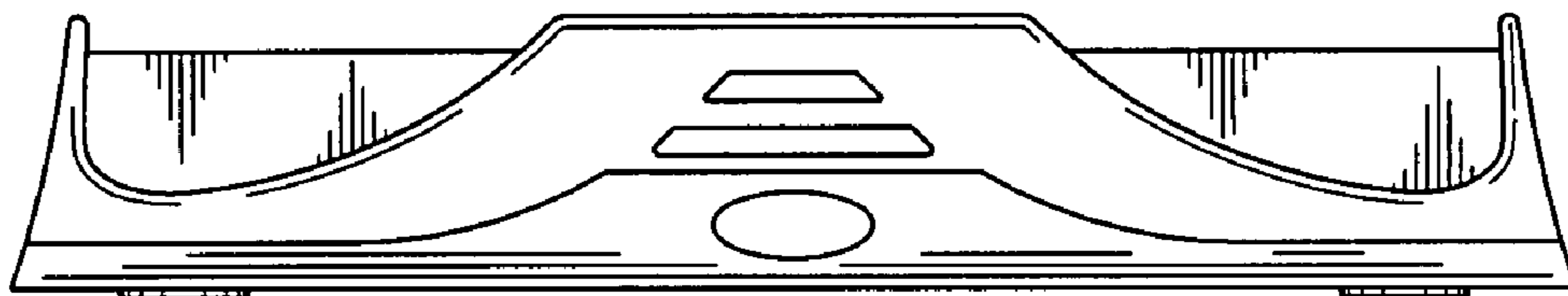


Fig. 4

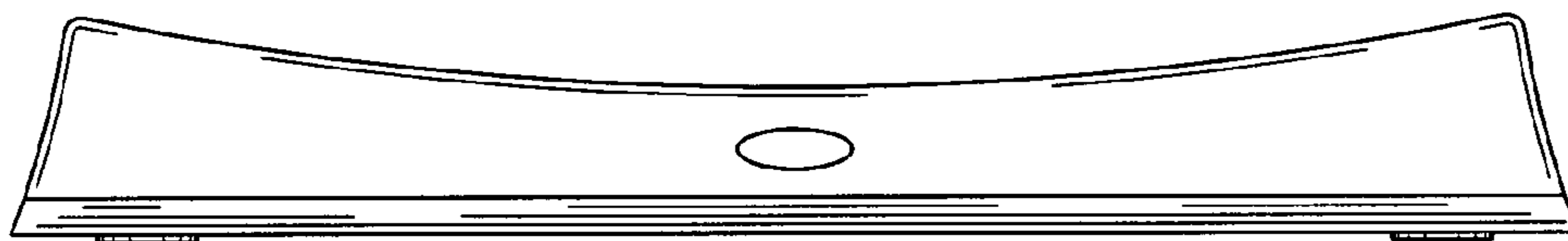


Fig. 5

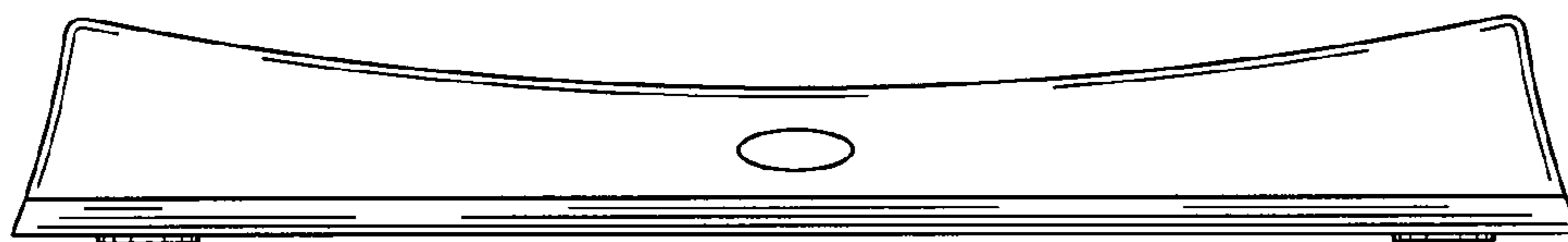


Fig. 6

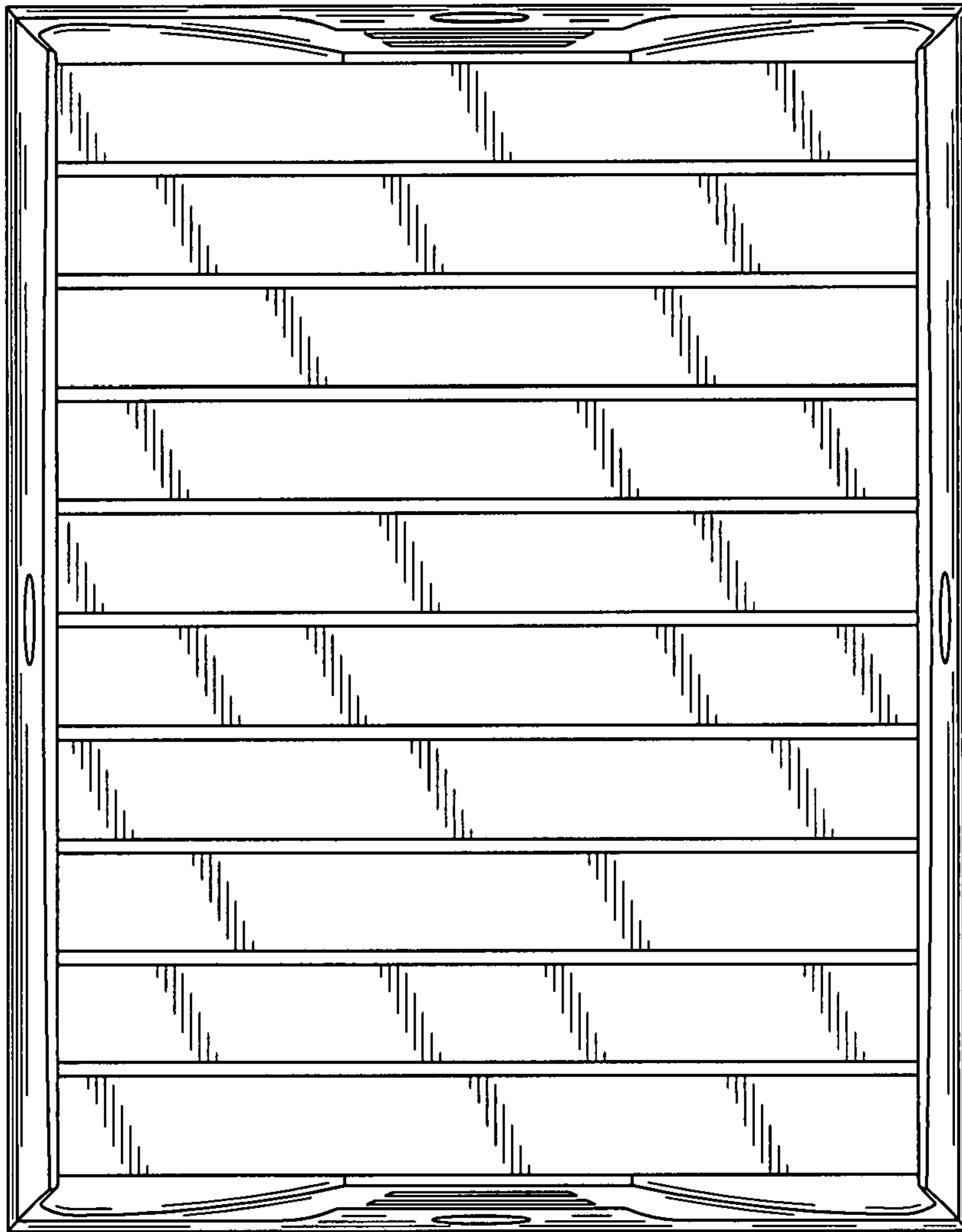


Fig. 7

