



US00D552370S

(12) **United States Design Patent**  
**Ketcherside et al.**

(10) **Patent No.:** **US D552,370 S**

(45) **Date of Patent:** **\*\* Oct. 9, 2007**

(54) **PARK BENCH**

D448,192 S \* 9/2001 Kane ..... D6/375

D453,638 S \* 2/2002 Kane ..... D6/381

D470,669 S \* 2/2003 Stewart ..... D6/370

(75) Inventors: **Julie D. Ketcherside**, Farmington, MO (US); **Joseph Vincent Warren**, Farmington, MO (US); **John Eric Moore**, Farmington, MO (US); **Christopher Michael Newburry**, Desloge, MO (US)

\* cited by examiner

*Primary Examiner*—Sandra Snapp

(73) Assignee: **Playpower LT Farmington, Inc.**, Farmington, MO (US)

(74) *Attorney, Agent, or Firm*—Polster, Lieder, Woodruff & Lucchesi, L.C.

(\*\*) Term: **14 Years**

(57) **CLAIM**

(21) Appl. No.: **29/276,850**

The ornamental design for park bench, as shown and described.

(22) Filed: **Feb. 7, 2007**

(51) **LOC (8) Cl.** ..... **06-01**

(52) **U.S. Cl.** ..... **D6/381**

(58) **Field of Classification Search** ..... D6/334–338, D6/349, 355, 363, 364, 369–370, 381, 491, D6/500–502, 509, 511, 601; 297/16.1–16.2, 297/116, 135, 154, 187, 158.3, 158.4, 158.5, 297/184.1, 232, 244, 411.37, 440.1, 445.1; 5/12.1, 655.3

See application file for complete search history.

**DESCRIPTION**

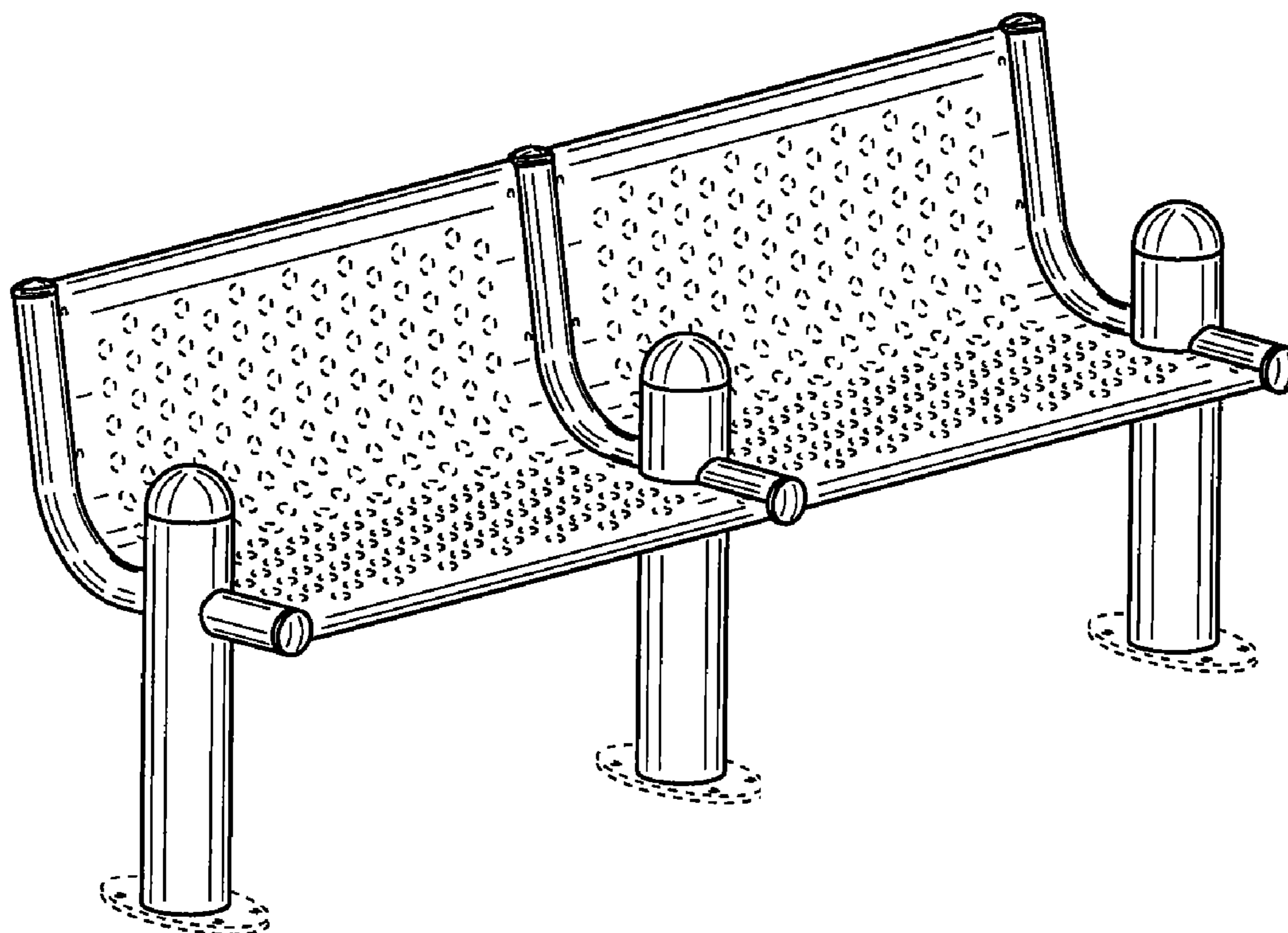
FIG. 1 is a perspective view of a park bench; FIG. 2 is a back elevational view thereof; FIG. 3 is a top plan view thereof; FIG. 4 is a front elevational view thereof; FIG. 5 is a bottom plan view thereof; and, FIG. 6 is a left side elevational view thereof, the right side elevation being identical to the left side.

(56) **References Cited**

**U.S. PATENT DOCUMENTS**

D349,818 S \* 8/1994 Noll ..... D6/344

**1 Claim, 2 Drawing Sheets**



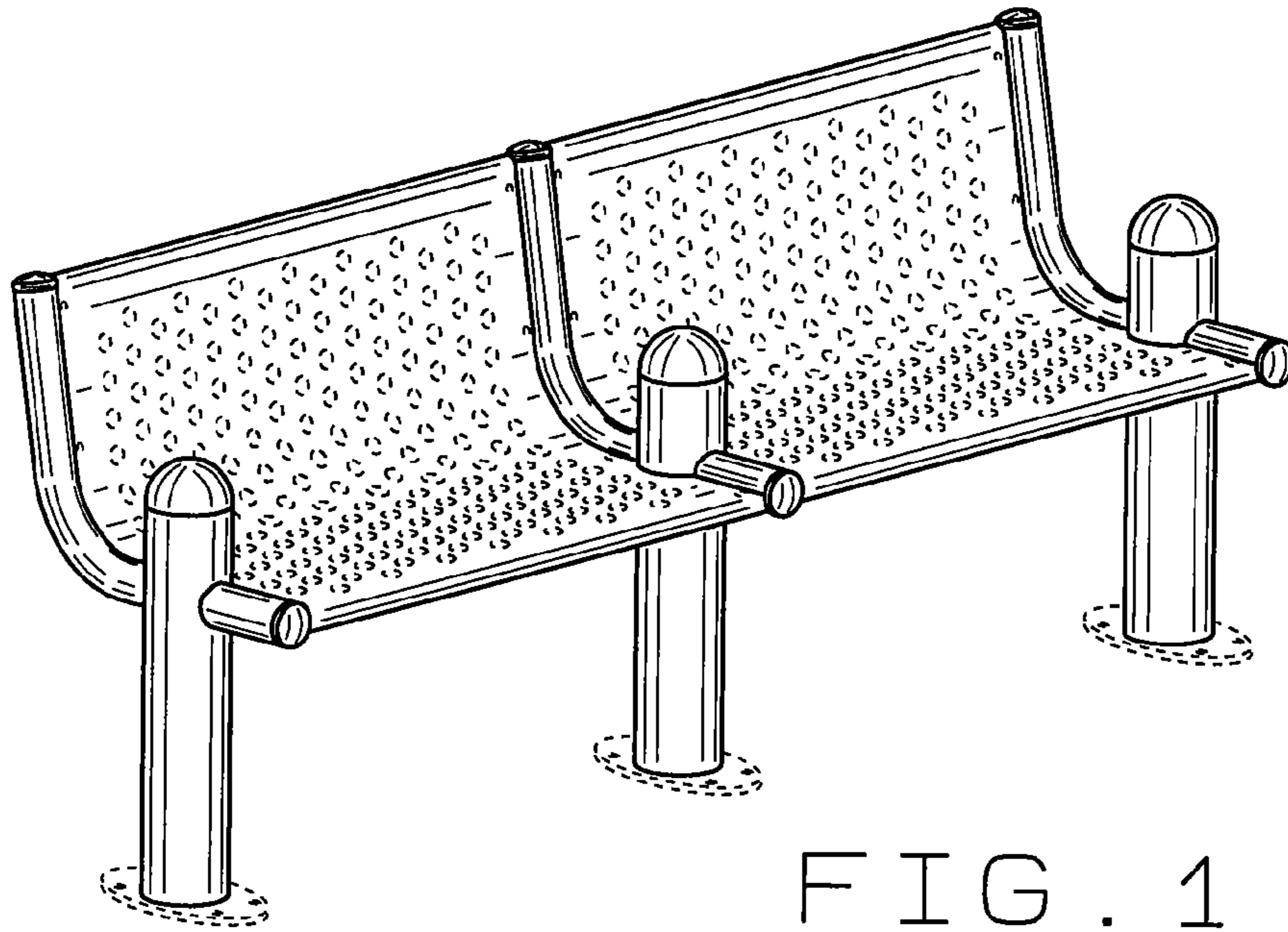


FIG. 1

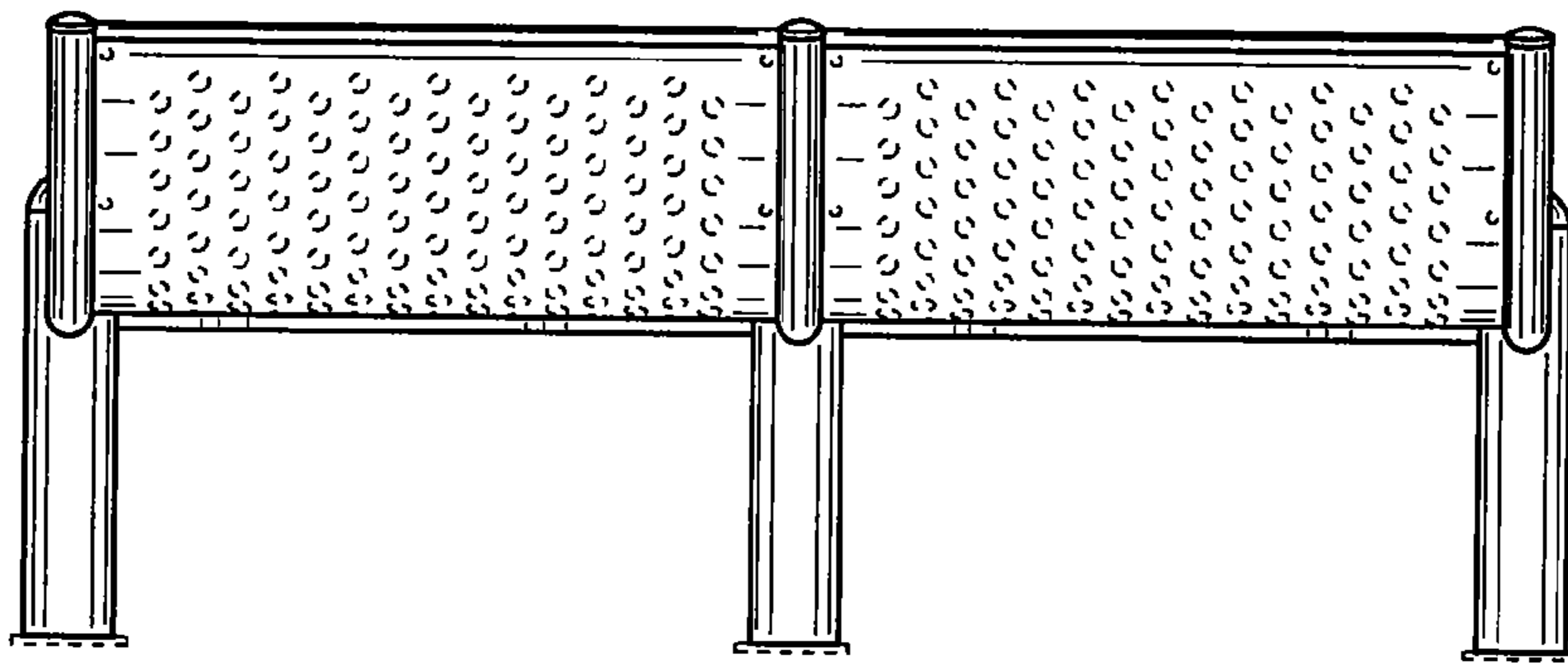


FIG. 2

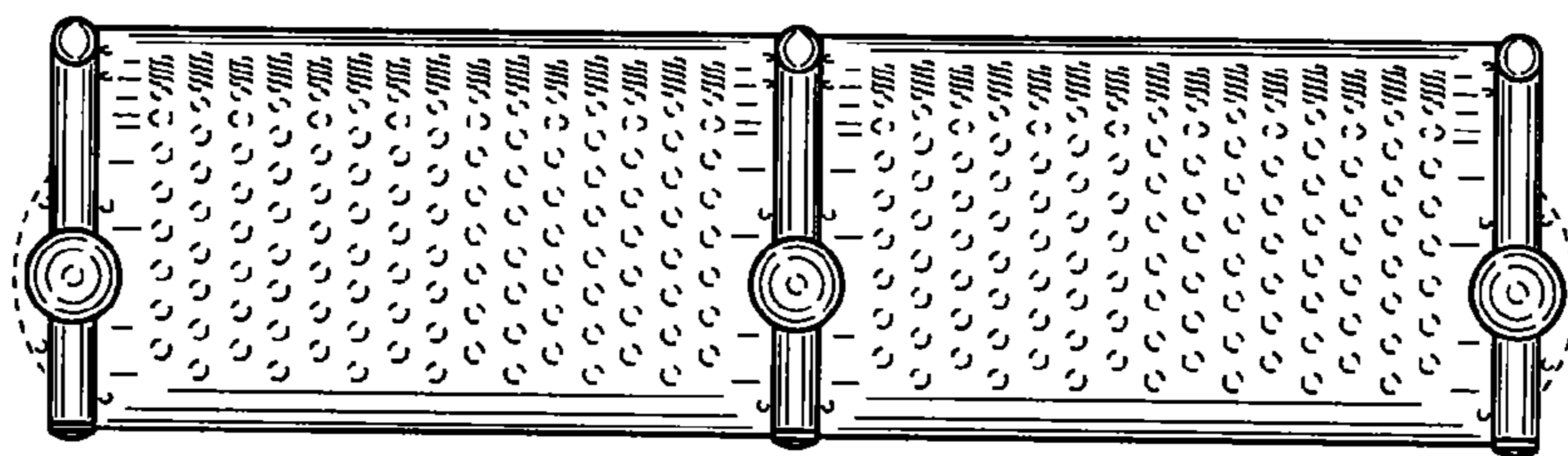


FIG. 3

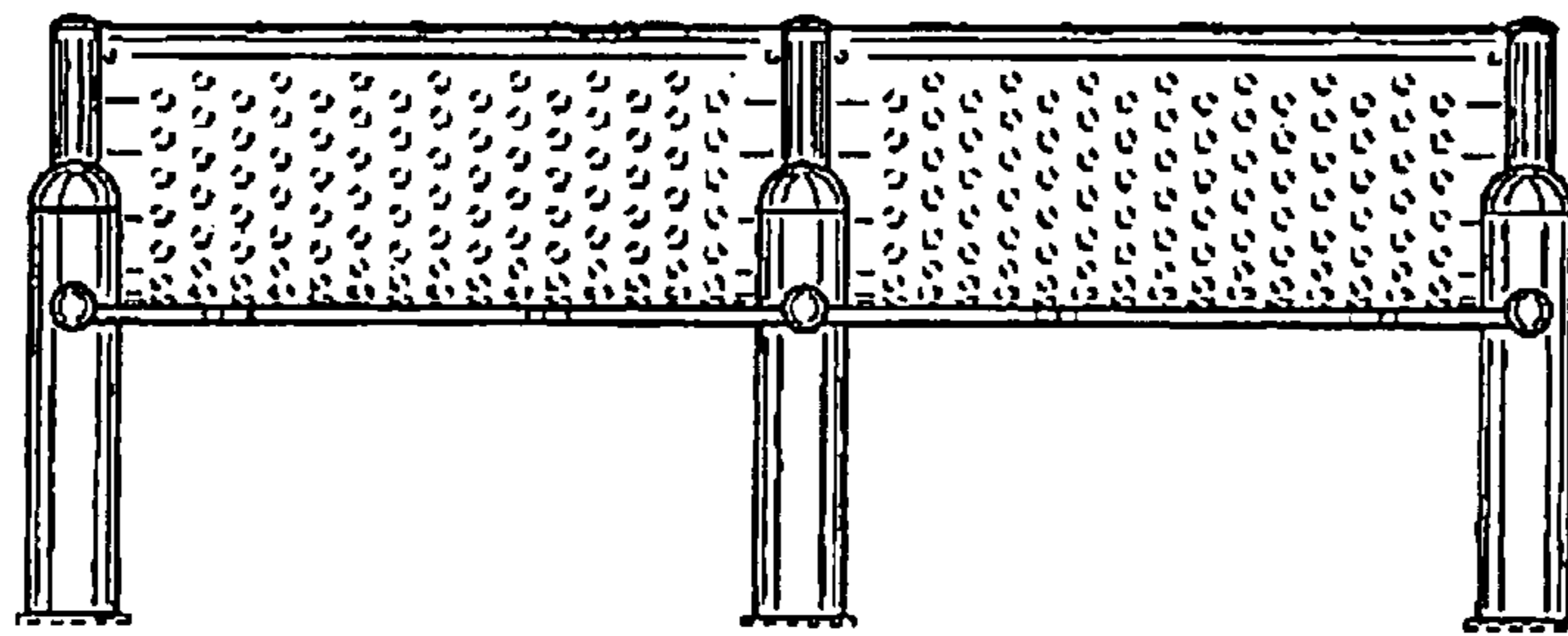


FIG. 4

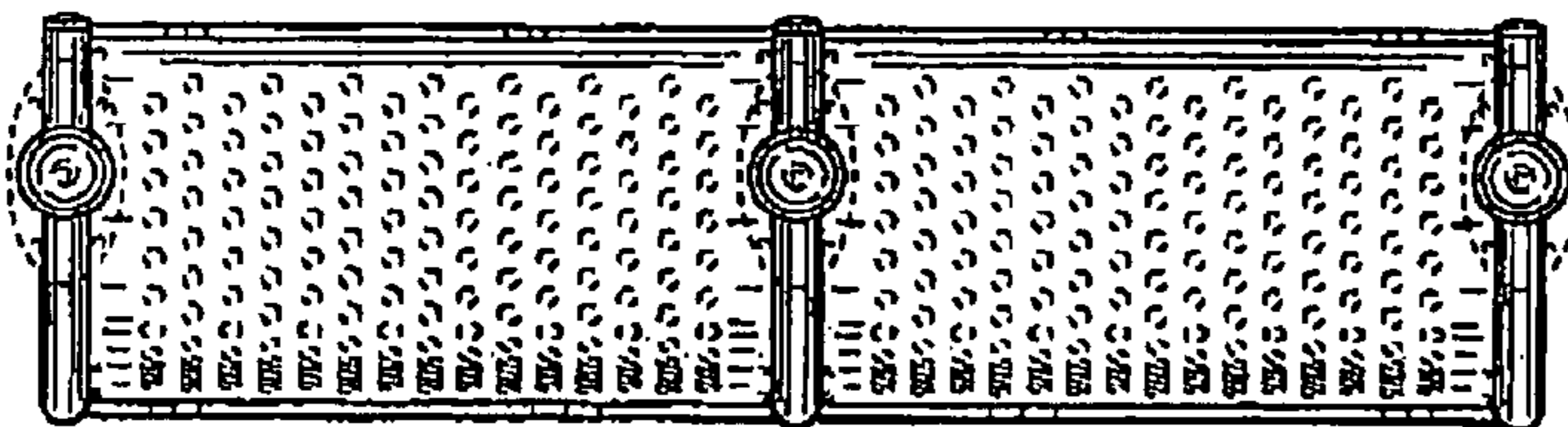


FIG. 5

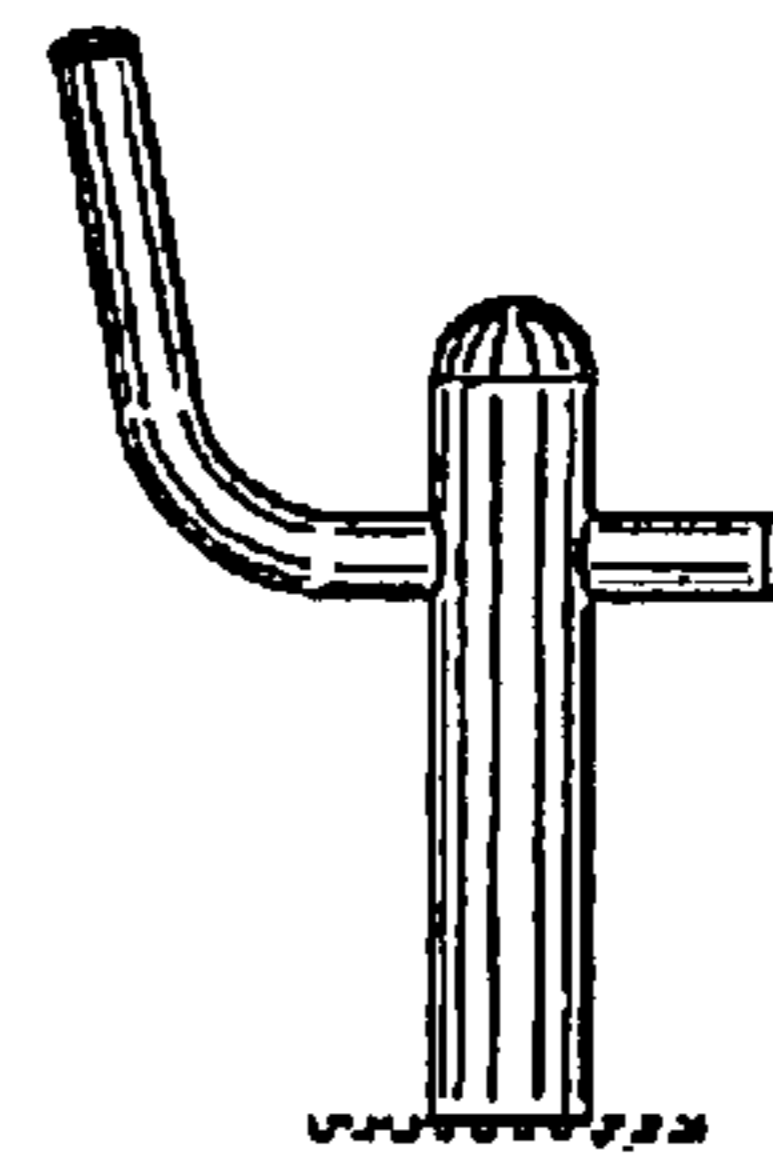


FIG. 6