

US00D552368S

(12) **United States Design Patent** (10) **Patent No.:** **US D552,368 S**  
**Scheper et al.** (45) **Date of Patent:** **\*\* Oct. 9, 2007**

(54) **CHAIR**

4,309,058 A 1/1982 Barley

(75) Inventors: **Robert Scheper**, Souffelweyersheim (FR); **Glen Oliver Loew**, Hamburg (DE)

(Continued)

**FOREIGN PATENT DOCUMENTS**

(73) Assignee: **Steelcase Development Corporation**, Caledonia, MI (US)

DE 4126520 2/1993

(Continued)

(\*\*) Term: **14 Years**

**OTHER PUBLICATIONS**

(21) Appl. No.: **29/277,054**

N/A, "Exhibit A: An illustration and description of a Meda II chair published by Vitra on the internet and accessed last on Dec. 18, 2002. Each of the 4 pages provided appear to be relevant. "

(22) Filed: **Feb. 12, 2007**

(Continued)

**Related U.S. Application Data**

(62) Division of application No. 29/214,446, filed on Oct. 1, 2004.

*Primary Examiner*—Robert M. Spear

*Assistant Examiner*—Katrina A. Kile

(74) *Attorney, Agent, or Firm*—Price, Heneveld, Cooper, DeWitt & Litton LLP

(30) **Foreign Application Priority Data**

Jun. 7, 2004 (FR) ..... 191457

(57) **CLAIM**

(51) **LOC (8) Cl.** ..... **06-01**

(52) **U.S. Cl.** ..... **D6/375; D6/366**

(58) **Field of Classification Search** ..... D6/375, D6/334, 502, 498, 499, 366, 364-365; 297/411.27, 297/452.29, 451.4, 451.5, 451.6, 452.14, 297/448.2

We claim the ornamental design for a chair, as shown and described.

See application file for complete search history.

**DESCRIPTION**

(56) **References Cited**

**U.S. PATENT DOCUMENTS**

- 398,179 A 2/1889 Parry et al.
- 2,156,664 A 5/1939 Little, Jr.
- 2,731,076 A 1/1956 Rowland
- 2,803,293 A 8/1957 Rowland
- D199,671 S 12/1964 Fantoni
- 3,744,846 A 7/1973 Platt et al.
- D228,483 S 10/1973 Sebel et al.
- D233,715 S 11/1974 Mullhauser, Jr.
- D258,480 S 3/1981 Rowland
- D258,924 S 4/1981 Deschamps et al.
- D259,688 S 6/1981 Ambasz
- D262,168 S 12/1981 Lustig

This application incorporates by reference essential material from parent application 29/214,446. All of the material from the parent application that is essential to the claimed design is included herein. Any material in the parent application which is not present herein forms no part of the claimed design.

FIG. 1 is a front perspective view of a chair showing our new design;

FIG. 2 is a rear perspective view of FIG. 1;

FIG. 3 is a left side view of FIG. 1;

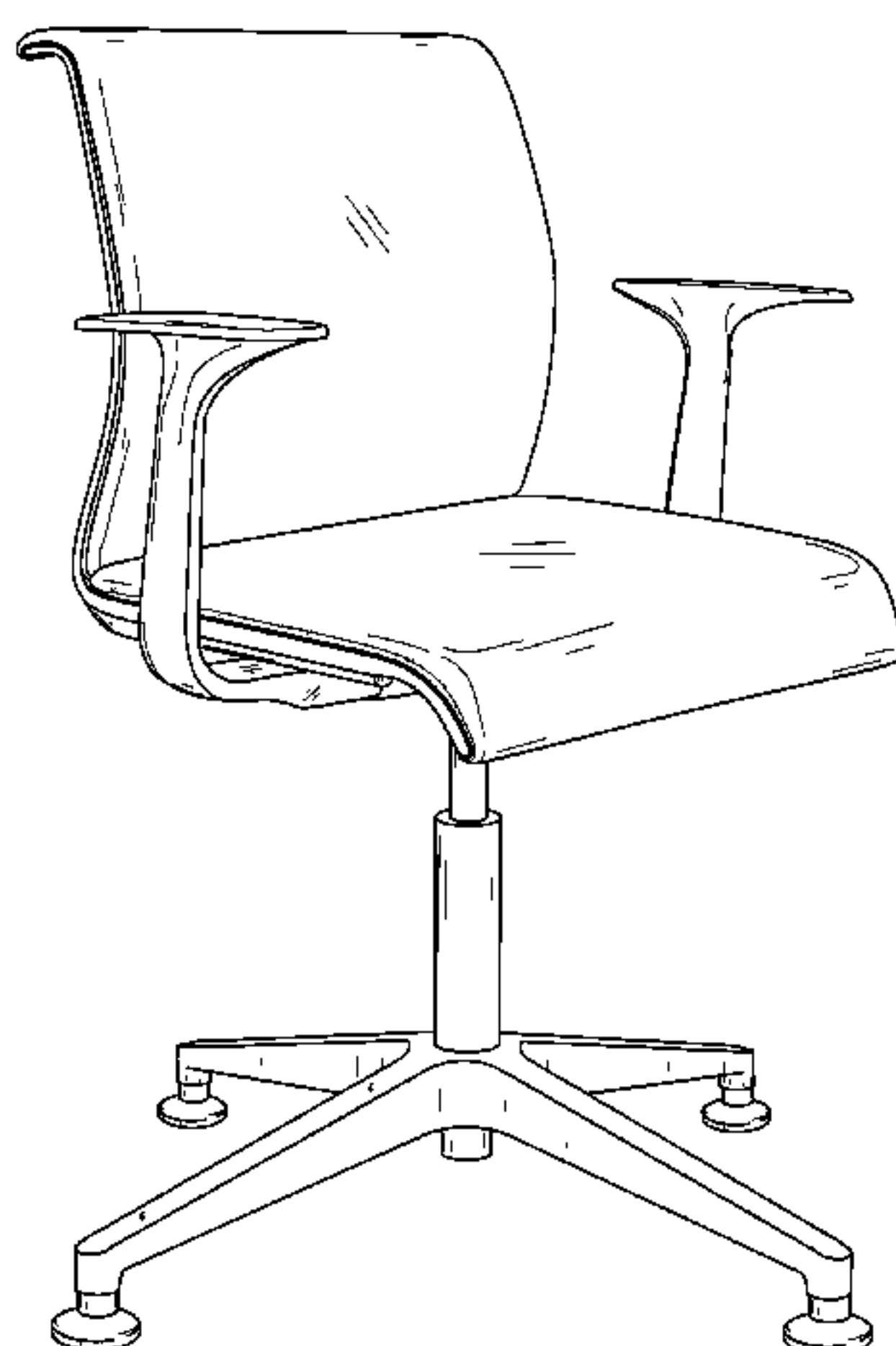
FIG. 4 is a right side view of FIG. 1;

FIG. 5 is a front view of FIG. 1;

FIG. 6 is a rear view of FIG. 1; and,

FIG. 7 is a top view of FIG. 1.

**1 Claim, 7 Drawing Sheets**



# US D552,368 S

Page 2

## U.S. PATENT DOCUMENTS

4,318,556 A 3/1982 Rowland  
4,545,614 A 10/1985 Abu-Isa et al.  
D289,120 S 4/1987 Chadwick et al.  
D339,244 S 9/1993 Fahnstrom et al.  
D339,940 S 10/1993 Balderi et al.  
D349,826 S 8/1994 Homann  
5,549,358 A 8/1996 Muller  
D390,026 S 2/1998 Biecher  
5,871,258 A 2/1999 Battey et al.  
5,975,634 A 11/1999 Knoblock et al.  
5,997,094 A 12/1999 Cvek  
6,056,367 A 5/2000 Hsiao  
6,074,013 A 6/2000 Hsiao  
6,086,153 A 7/2000 Heidmann et al.  
6,116,695 A 9/2000 Heidmann et al.  
6,148,979 A 11/2000 Roach et al.  
D436,259 S \* 1/2001 Nagamitsu ..... D6/366  
D436,456 S 1/2001 Neil  
6,179,384 B1 1/2001 DeKraker et al.  
D449,174 S 10/2001 Neil  
D456,625 S \* 5/2002 Frenkler et al. .... D6/366  
6,386,634 B1 5/2002 Stumpf et al.  
6,394,548 B1 5/2002 Battey et al.  
6,508,509 B2 1/2003 Peterson  
6,523,898 B1 2/2003 Ball et al.  
6,957,860 B1 10/2005 Leist et al.  
D521,755 S \* 5/2006 Kinoshita et al. .... D6/366  
D534,364 S \* 1/2007 Loew et al. .... D6/366  
D535,126 S \* 1/2007 Loew et al. .... D6/500  
D535,830 S \* 1/2007 Bernett et al. .... D6/366  
D536,890 S \* 2/2007 Loew et al. .... D6/366

2004/0245839 A1\* 12/2004 Bodnar et al. .... 297/452.63  
2005/0029848 A1\* 2/2005 Heidmann et al. .... 297/300.1

## FOREIGN PATENT DOCUMENTS

DE	29811414	12/1998
DE	20112351	1/2002
EP	0284272	9/1988
EP	836819	4/1998
EP	0839478	5/1998
EP	1059051	12/2000
EP	0949875	11/2001
EP	1192880	4/2002
EP	1287765	3/2003
EP	1044634	12/2003
FR	1253004	12/1960
JP	2003079471	3/2003
JP	2003079472	3/2003
JP	2003079474	3/2003
JP	2003079476	3/2003
JP	2003079479	3/2003
JP	2003079481	3/2003
JP	2003079487	3/2003
JP	2003081322	3/2003

## OTHER PUBLICATIONS

N/A, "Exhibit B: Is a print-out from a website "cgi-ebay.com" disclosing an antique chair by designer, Hans J. Wegner, having a back cushion supported by spaced-apart back uprights and apparently having strips extending therebetween.," Dec. 3, 2002.

\* cited by examiner

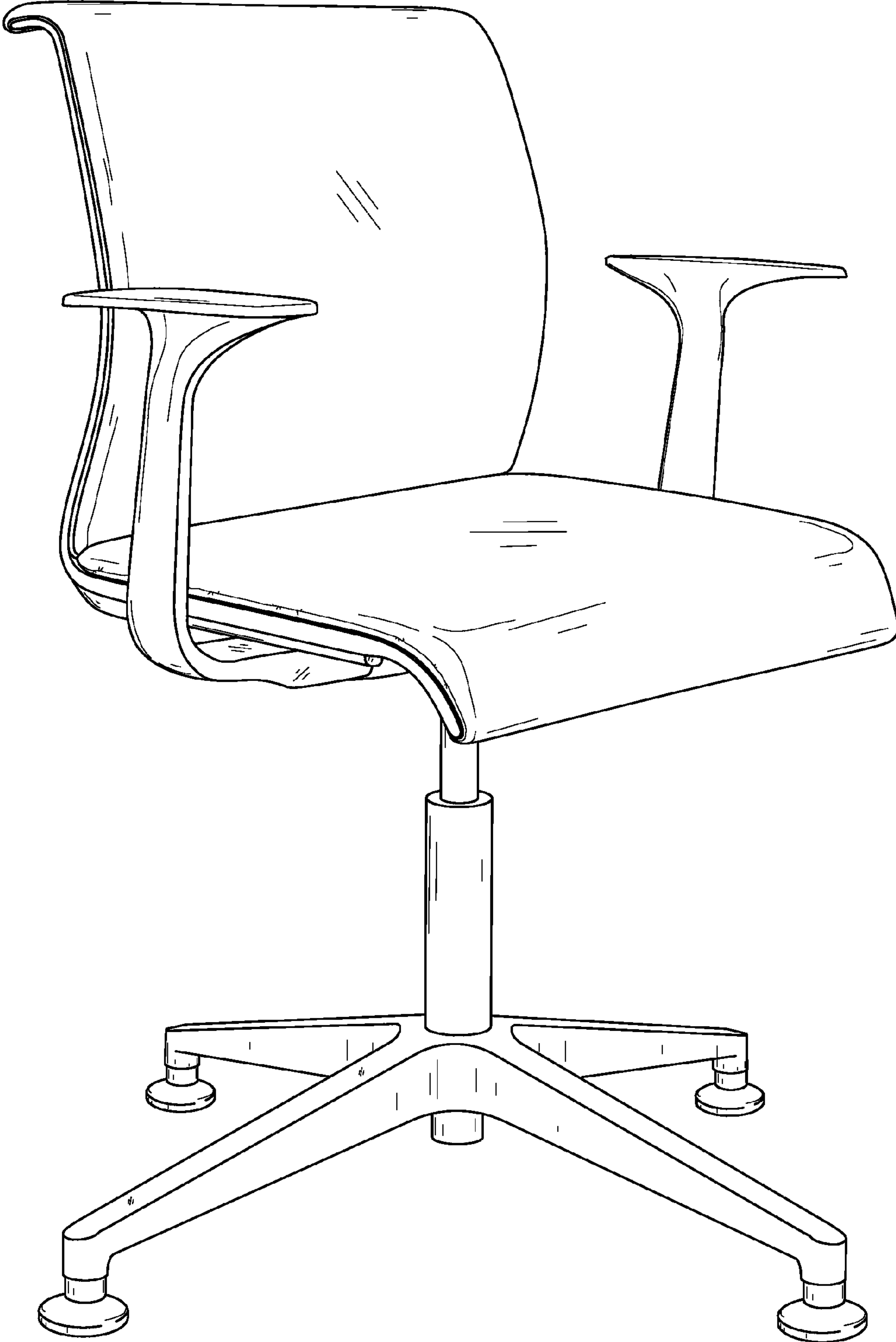


FIG. 1

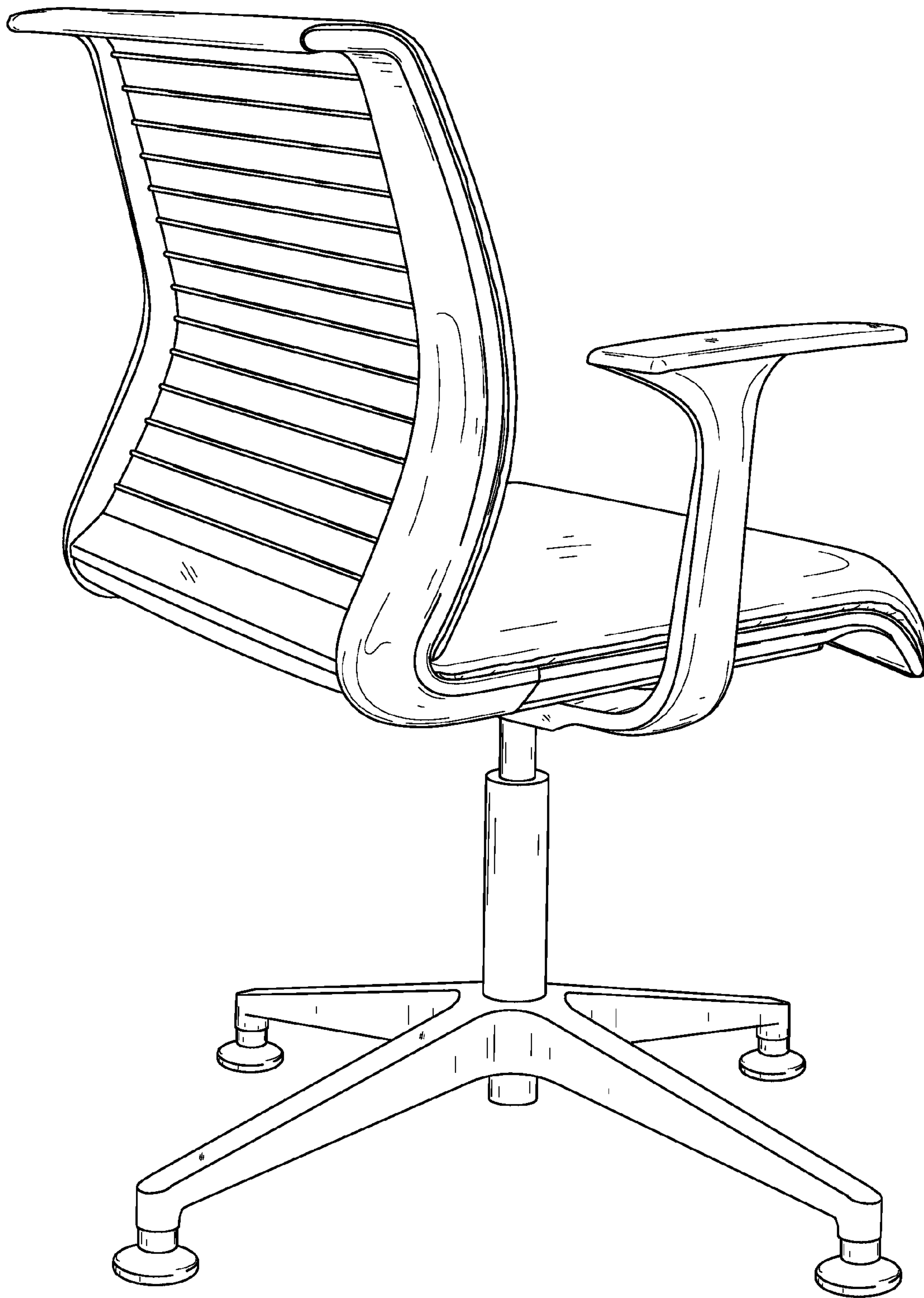


FIG. 2



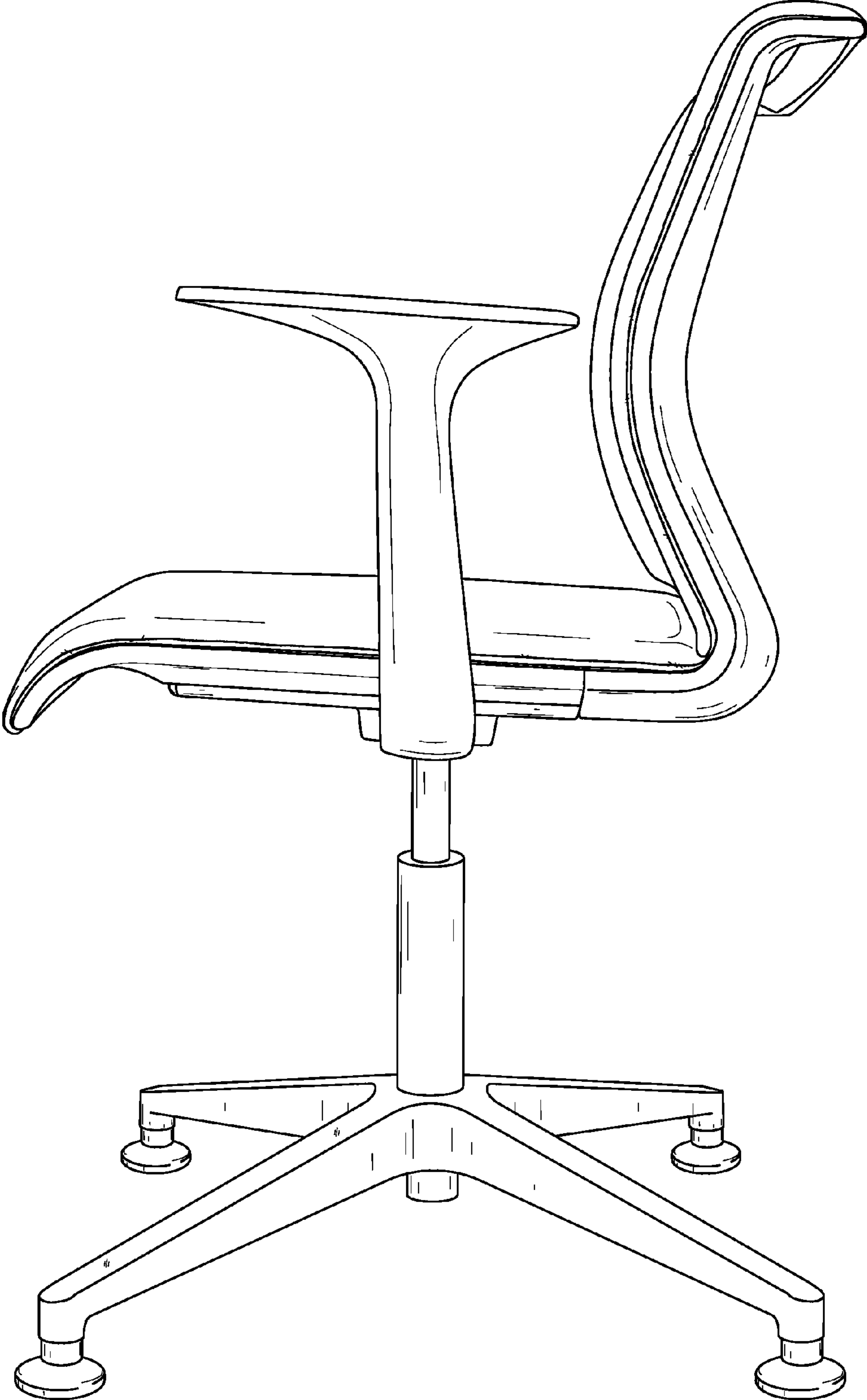


FIG. 3

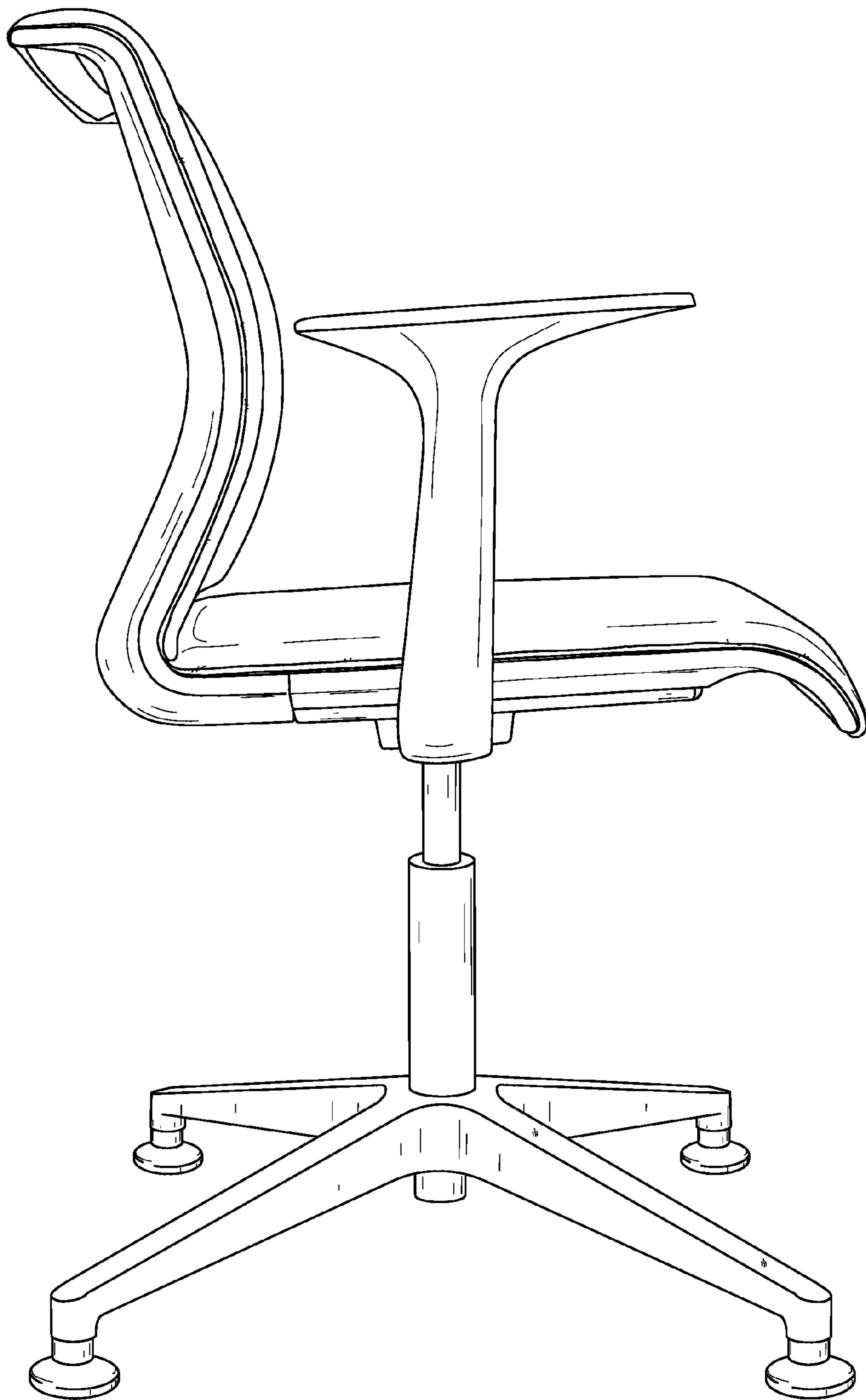


FIG. 4

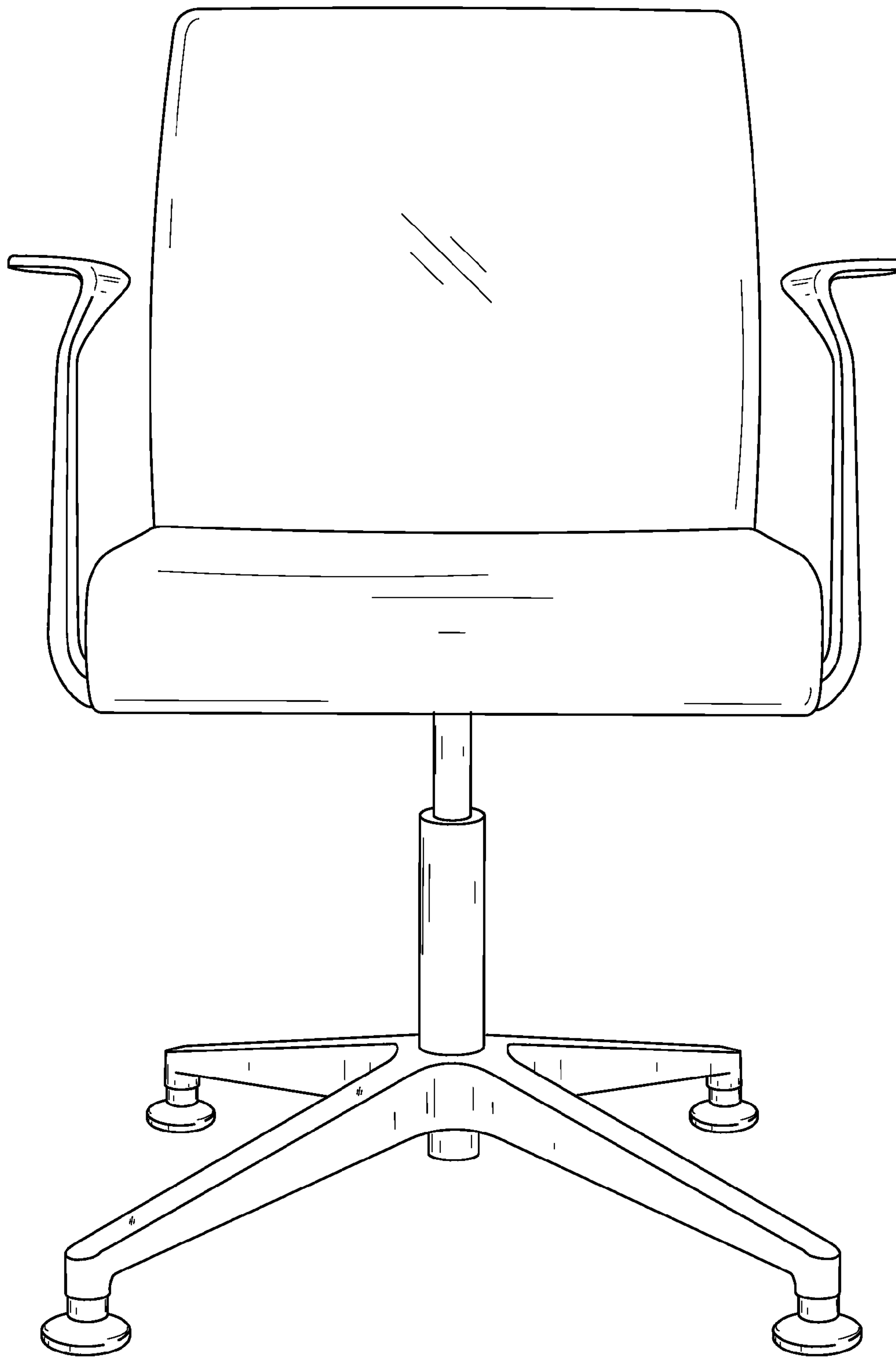


FIG. 5

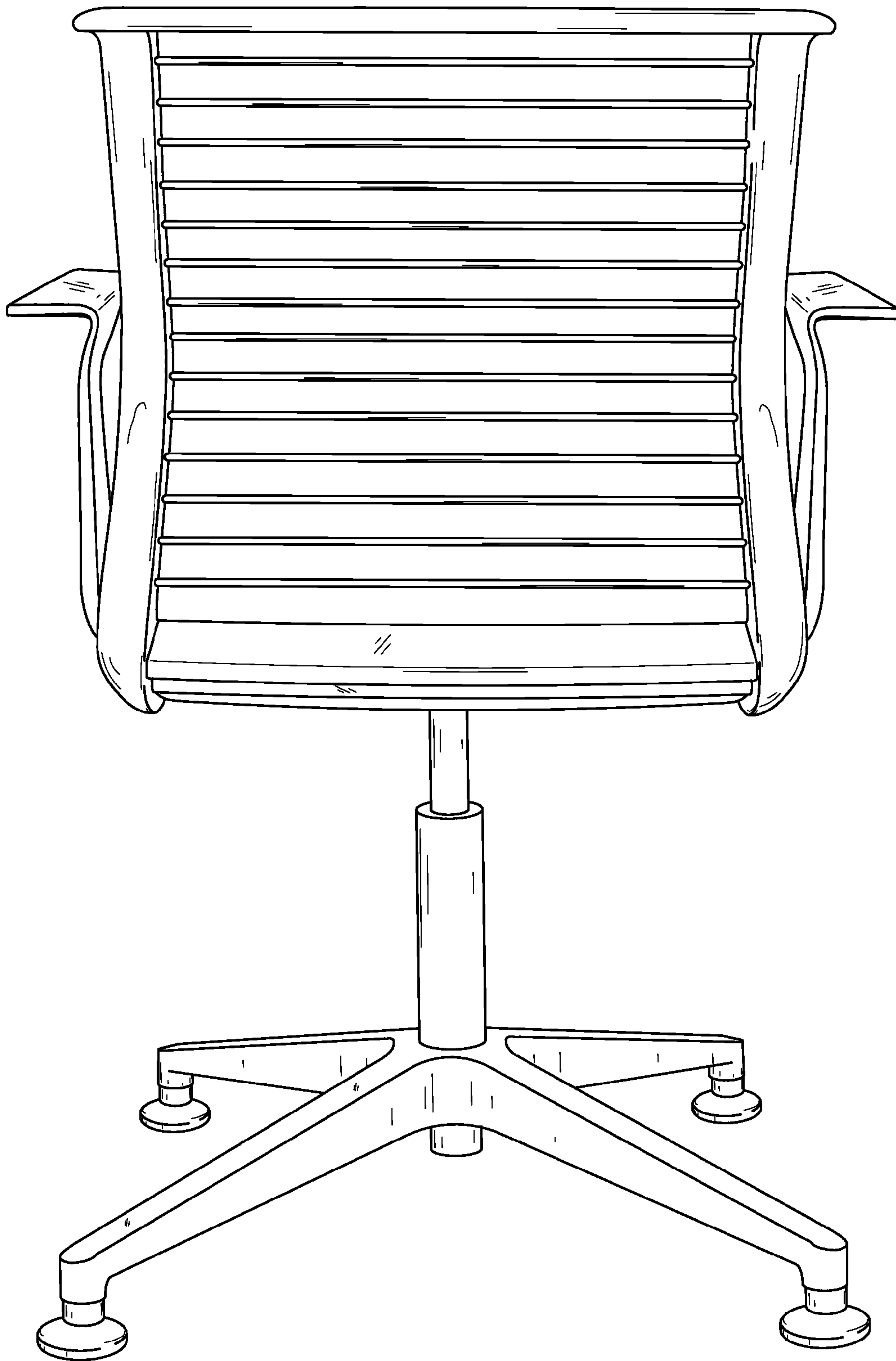


FIG. 6



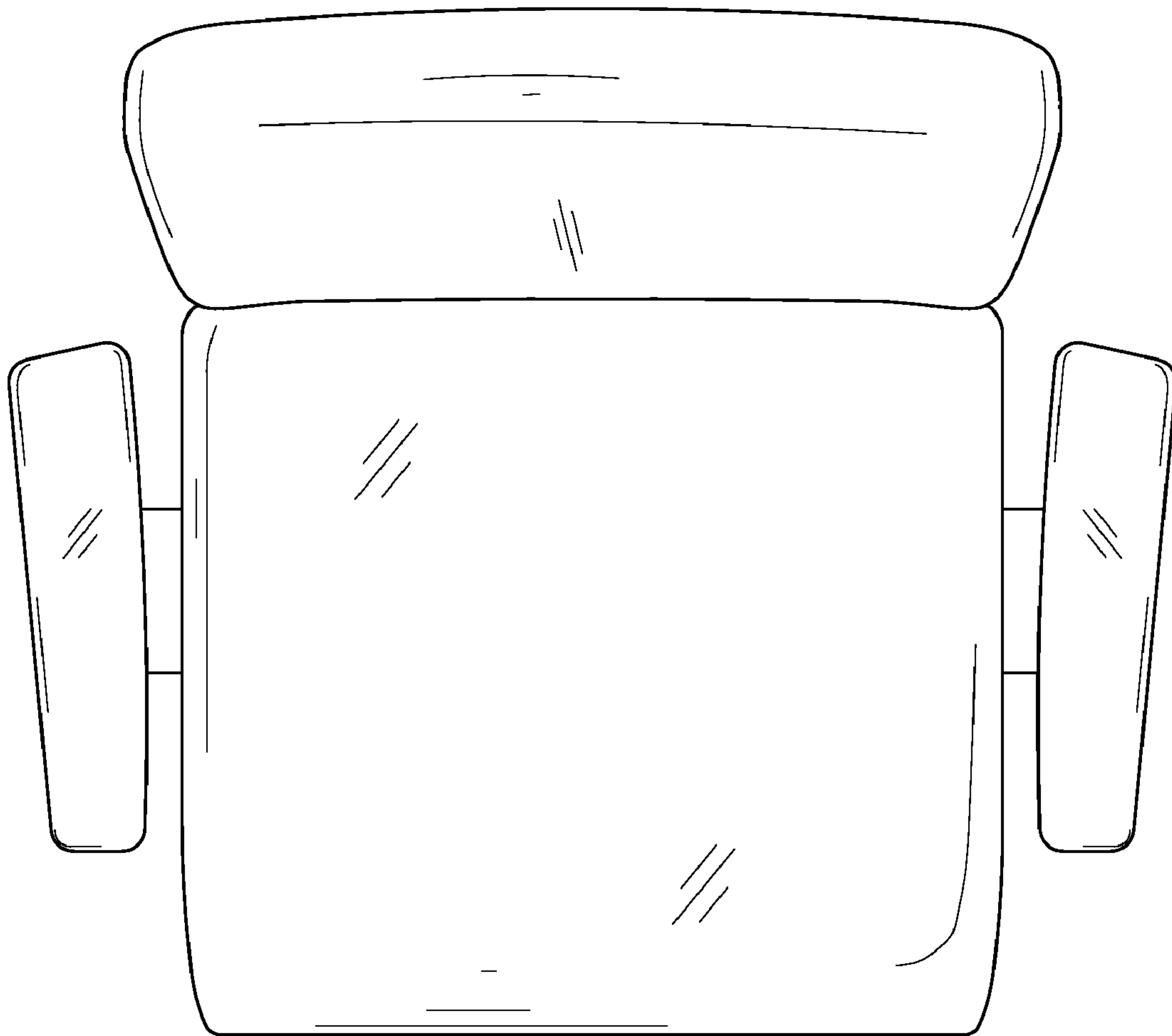


FIG. 7