



US00D552367S

(12) **United States Design Patent**  
**Paquette**

(10) **Patent No.:** **US D552,367 S**

(45) **Date of Patent:** **\*\* Oct. 9, 2007**

(54) **CHAIR HAVING TELESCOPING LEGS**

(76) Inventor: **Jeffrey M. Paquette**, 23801 Grouse St.,  
McGregor, MN (US) 55760

(\*\*) Term: **14 Years**

(21) Appl. No.: **29/271,013**

(22) Filed: **Jan. 8, 2007**

(51) **LOC (8) Cl.** ..... **06-01**

(52) **U.S. Cl.** ..... **D6/375; D6/367**

(58) **Field of Classification Search** ..... D6/334-336,  
D6/360, 364, 365, 366, 367, 368, 374, 375,  
D6/376, 379, 380, 500-502; 297/344.18,  
297/445.1, 446.1

See application file for complete search history.

(56) **References Cited**

**U.S. PATENT DOCUMENTS**

156,920	A *	11/1874	Liptak	.....	297/344.18
1,922,418	A *	8/1933	Conant	.....	297/344.18
D91,268	S *	1/1934	Guild	.....	D6/380
D91,269	S *	1/1934	Guild	.....	D6/380
D205,657	S *	9/1966	Zamuso	.....	D6/370
D317,229	S *	6/1991	Votteler	.....	D6/379

D357,594	S *	4/1995	Kellen	.....	D6/374
5,965,246	A *	10/1999	Guiselin et al.	.....	297/344.18
D436,752	S *	1/2001	Paul	.....	D6/379
D456,631	S *	5/2002	Giordano	.....	D6/380
D498,365	S *	11/2004	Judy	.....	D6/367
6,969,112	B1 *	11/2005	Sherrill	.....	297/344.18
D512,237	S *	12/2005	Messier	.....	D6/375

\* cited by examiner

*Primary Examiner*—Mimosa De

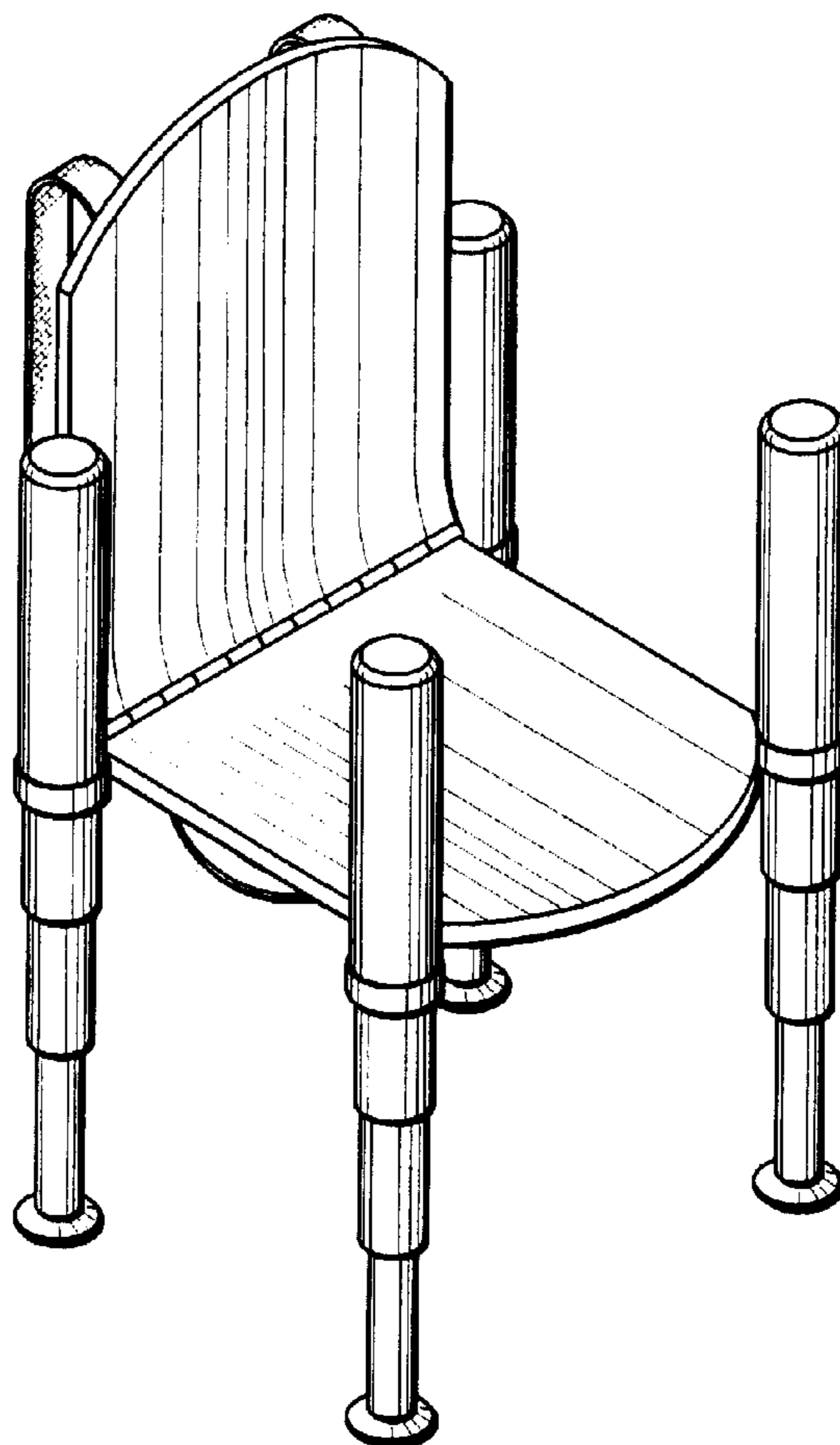
(57) **CLAIM**

The ornamental design for a chair having telescoping legs,  
as shown and described.

**DESCRIPTION**

FIG. 1 is a perspective view of my design;  
FIG. 2 is a front elevational view of my design;  
FIG. 3 is a back elevational view of my design;  
FIG. 4 is a side elevational view of my design, the opposite  
side view being a mirror image thereof;  
FIG. 5 is a top view of my design; and,  
FIG. 6 is a bottom view of my design.

**1 Claim, 2 Drawing Sheets**



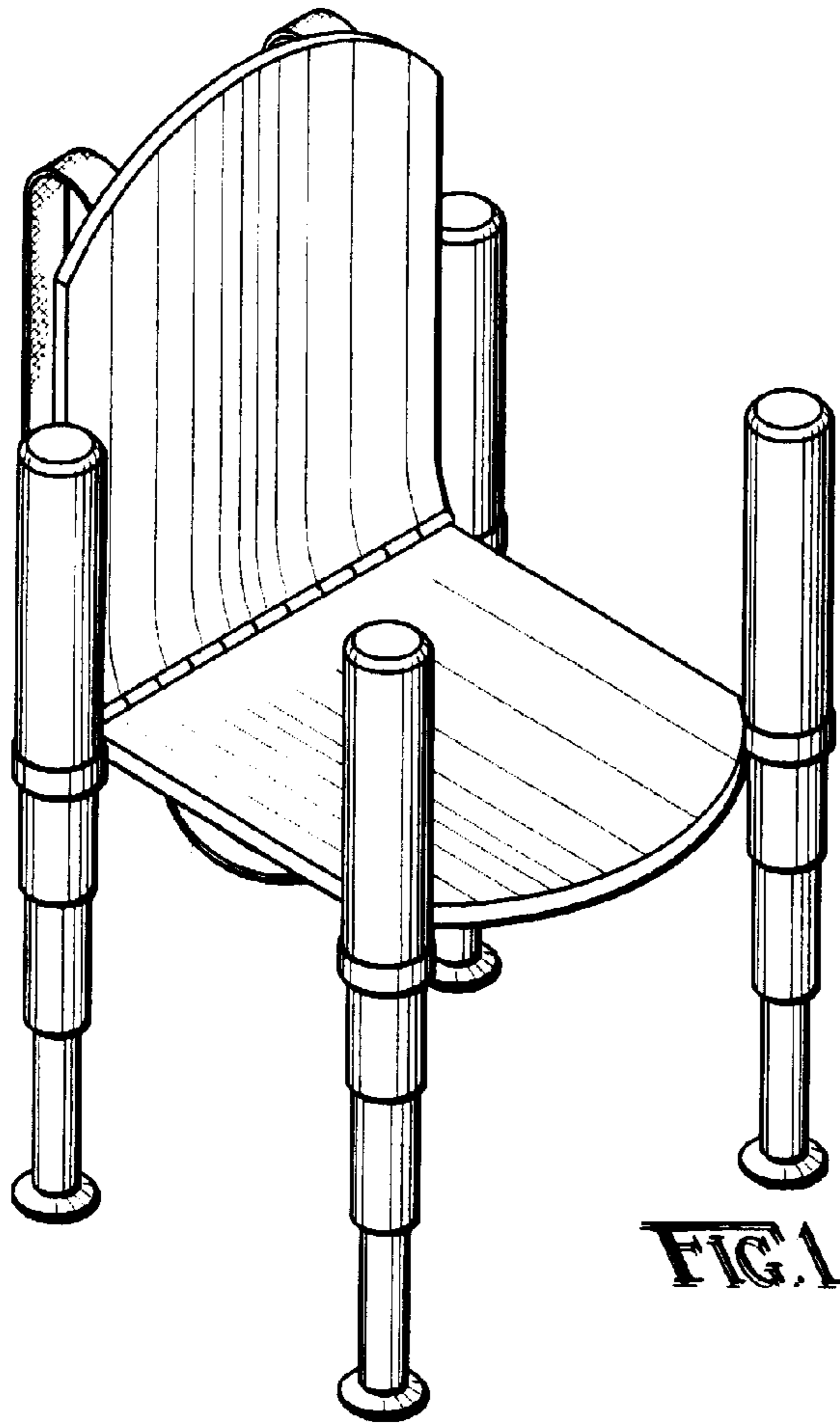


FIG. 1

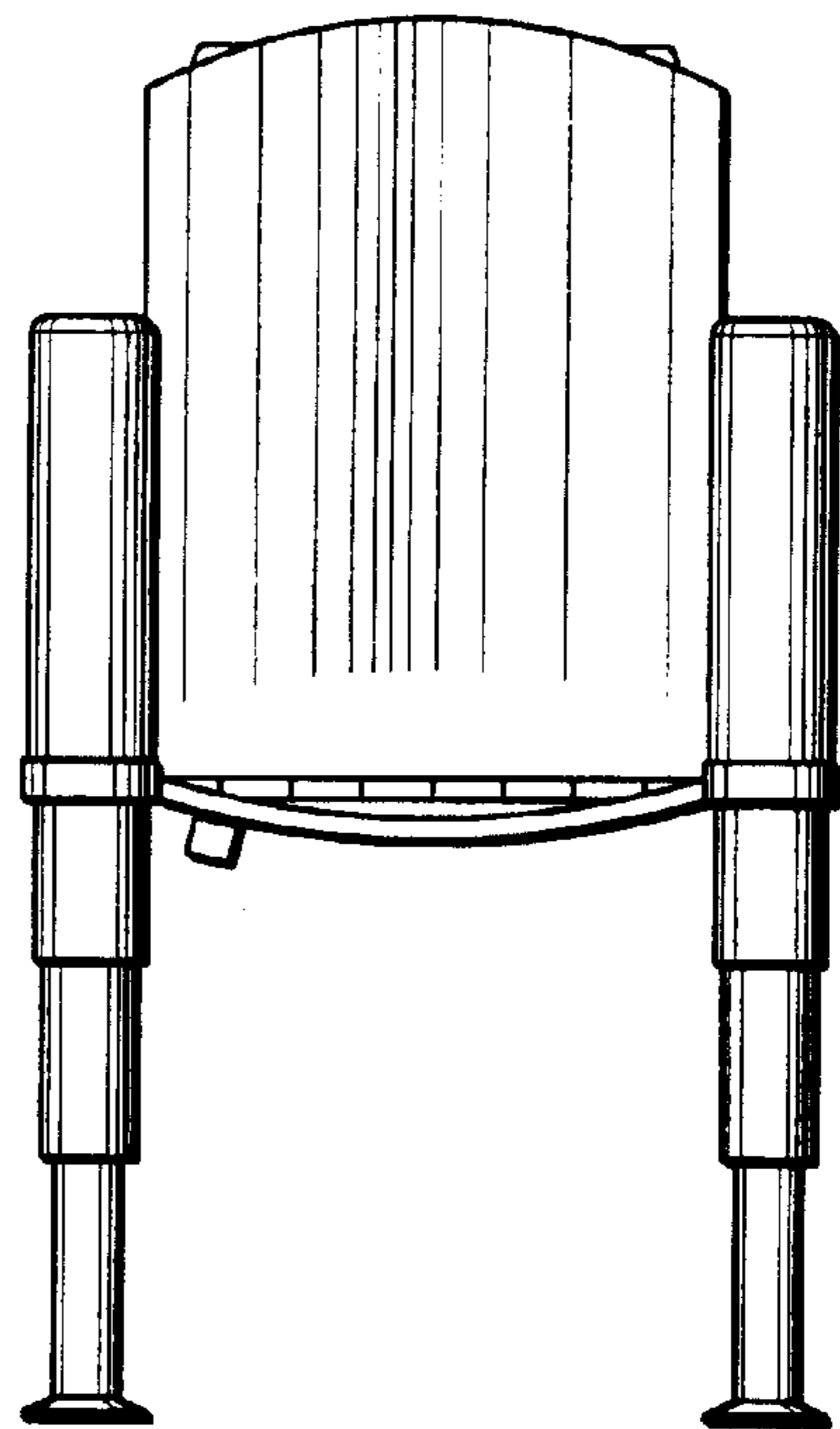


FIG. 2

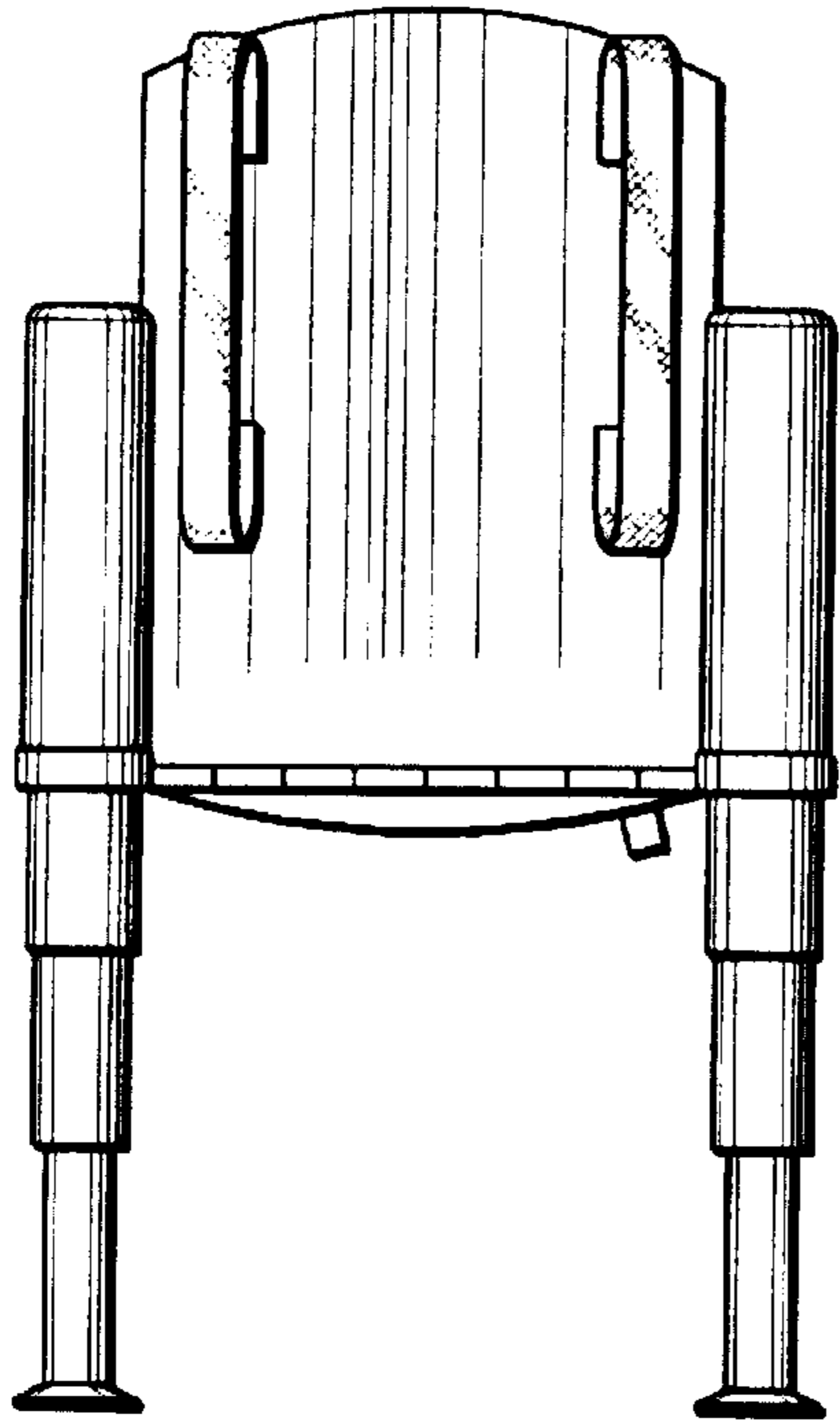


FIG. 3

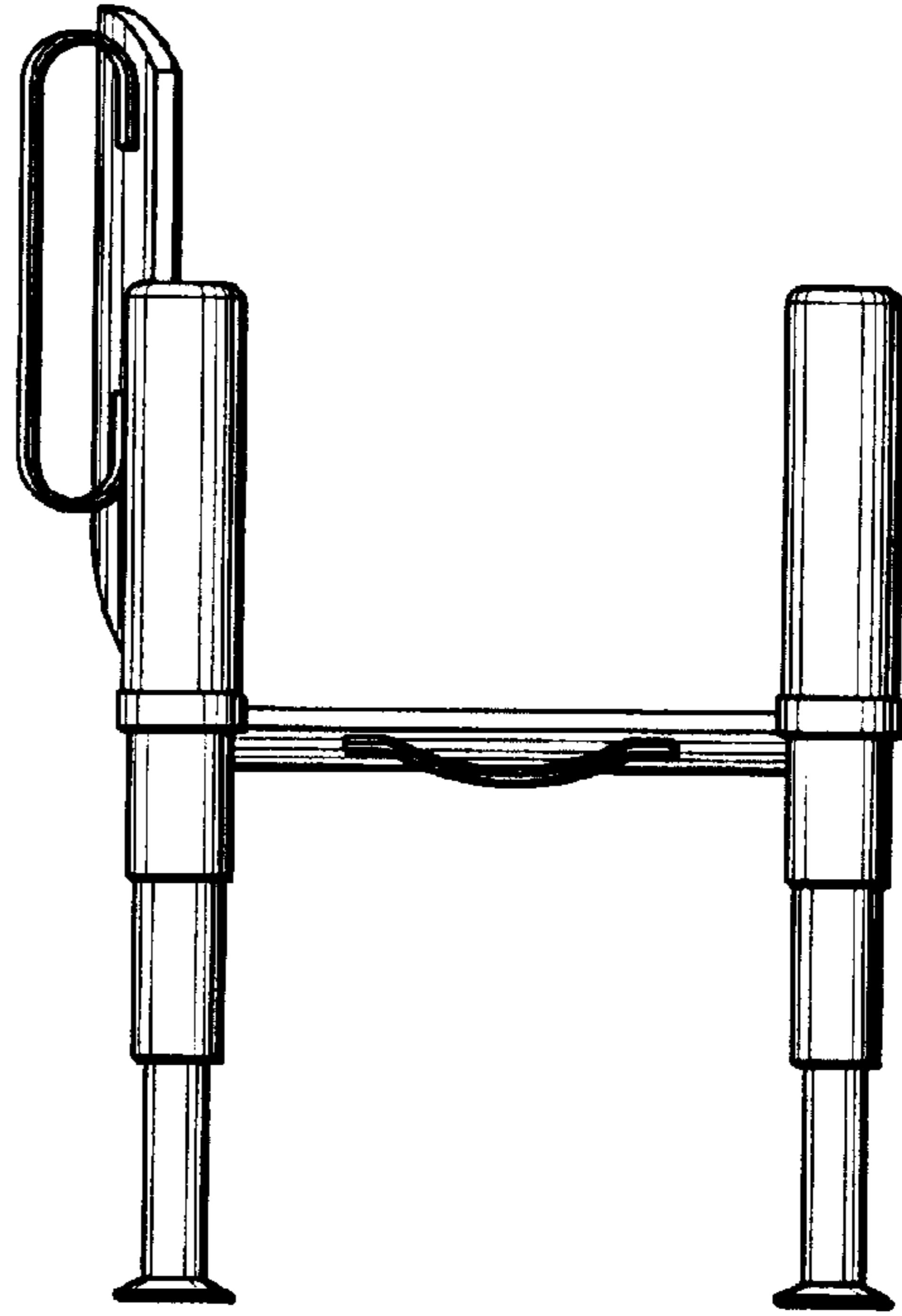


FIG. 4

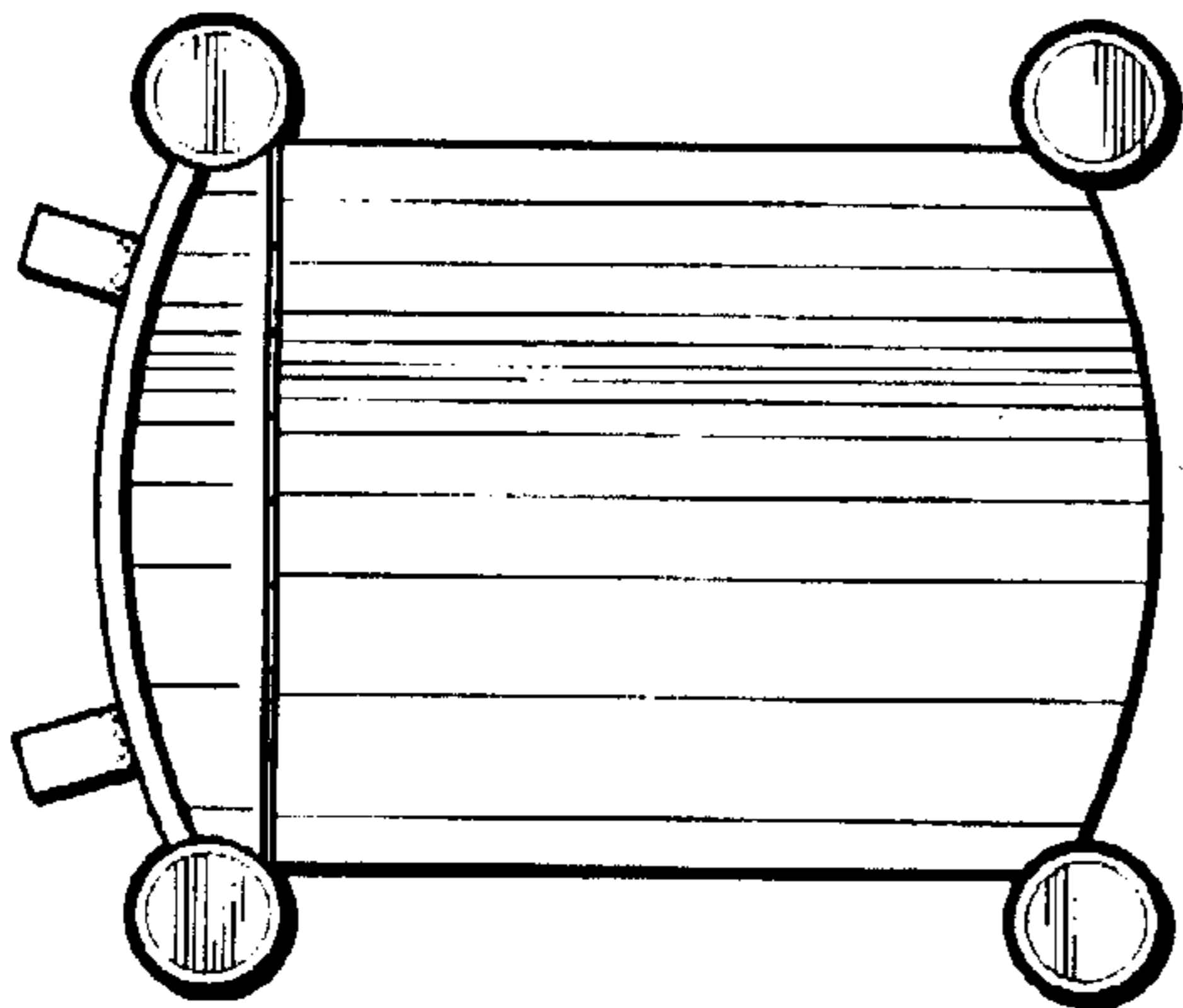


FIG. 5

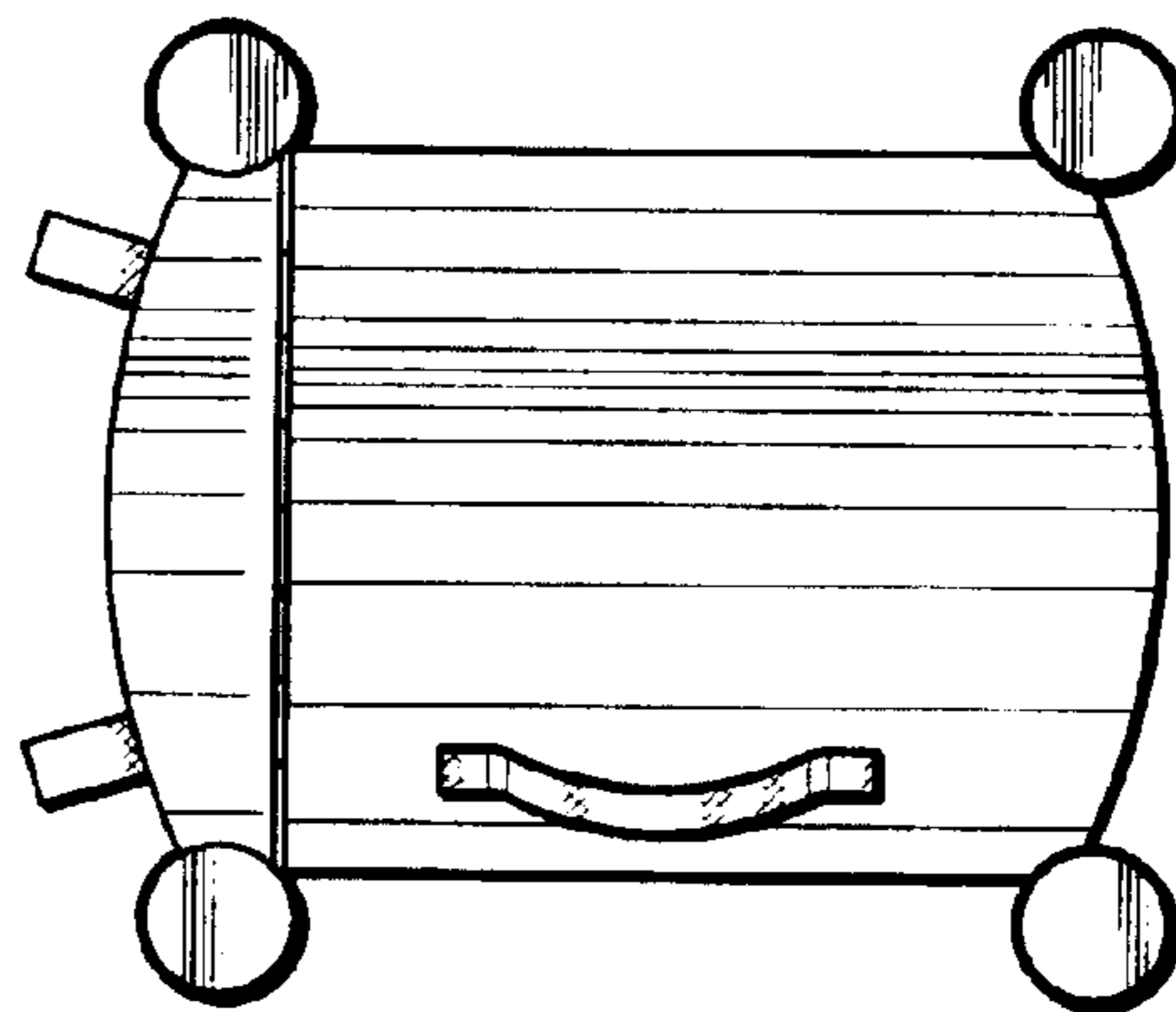


FIG. 6