



US00D552364S

(12) **United States Design Patent**
Lowsky

(10) **Patent No.:** **US D552,364 S**

(45) **Date of Patent:** **** Oct. 9, 2007**

(54) **CHAIR**

(76) **Inventor:** **Jamie Lowsky**, 7000 Island Blvd., Apt.
106, Aventura, FL (US) 33160

(**) **Term:** **14 Years**

(21) **Appl. No.:** **29/276,983**

(22) **Filed:** **Feb. 9, 2007**

(51) **LOC (8) Cl.** **06-01**

(52) **U.S. Cl.** **D6/369**

(58) **Field of Classification Search** D6/334-336,
D6/369, 370, 374, 376, 379, 380, 492, 500-502;
297/411.43, 411.44, 411.45, 445.1, 446.1,
297/451.9, 452.63, 452.64

See application file for complete search history.

(56) **References Cited**

U.S. PATENT DOCUMENTS

D165,914 S *	2/1952	Grundy	D6/379
D357,138 S *	4/1995	Hess	D6/379
D359,176 S *	6/1995	Tihany	D6/379
D370,134 S *	5/1996	Harris	D6/379
D410,803 S *	6/1999	Kreiss	D6/379
D431,119 S *	9/2000	Hutton	D6/369
D431,383 S *	10/2000	Frinier	D6/369
D484,326 S *	12/2003	Roberts	D6/379
D511,419 S *	11/2005	Mohundro	D6/370
D512,844 S *	12/2005	Suzuki et al.	D6/369
D515,329 S *	2/2006	Mohundro	D6/379
D518,969 S *	4/2006	Mohundro	D6/379

D520,766 S *	5/2006	Lowsky	D6/369
D524,566 S *	7/2006	Lowsky	D6/370
D525,797 S *	8/2006	Lowsky	D6/369
D525,798 S *	8/2006	Lowsky	D6/370
D525,800 S *	8/2006	Lowsky	D6/370
D540,556 S *	4/2007	Doughty	D6/370
D541,066 S *	4/2007	Lowsky	D6/369

* cited by examiner

Primary Examiner—Mimosa De

(74) *Attorney, Agent, or Firm*—Akerman Senterfitt; Peter A. Chiabotti

(57) **CLAIM**

The ornamental design for a chair, as shown and described.

DESCRIPTION

FIG. 1 is a perspective view of a chair showing my new design;

FIG. 2 is a left side elevational view thereof;

FIG. 3 is a right side elevational view thereof;

FIG. 4 is a front elevational view thereof,

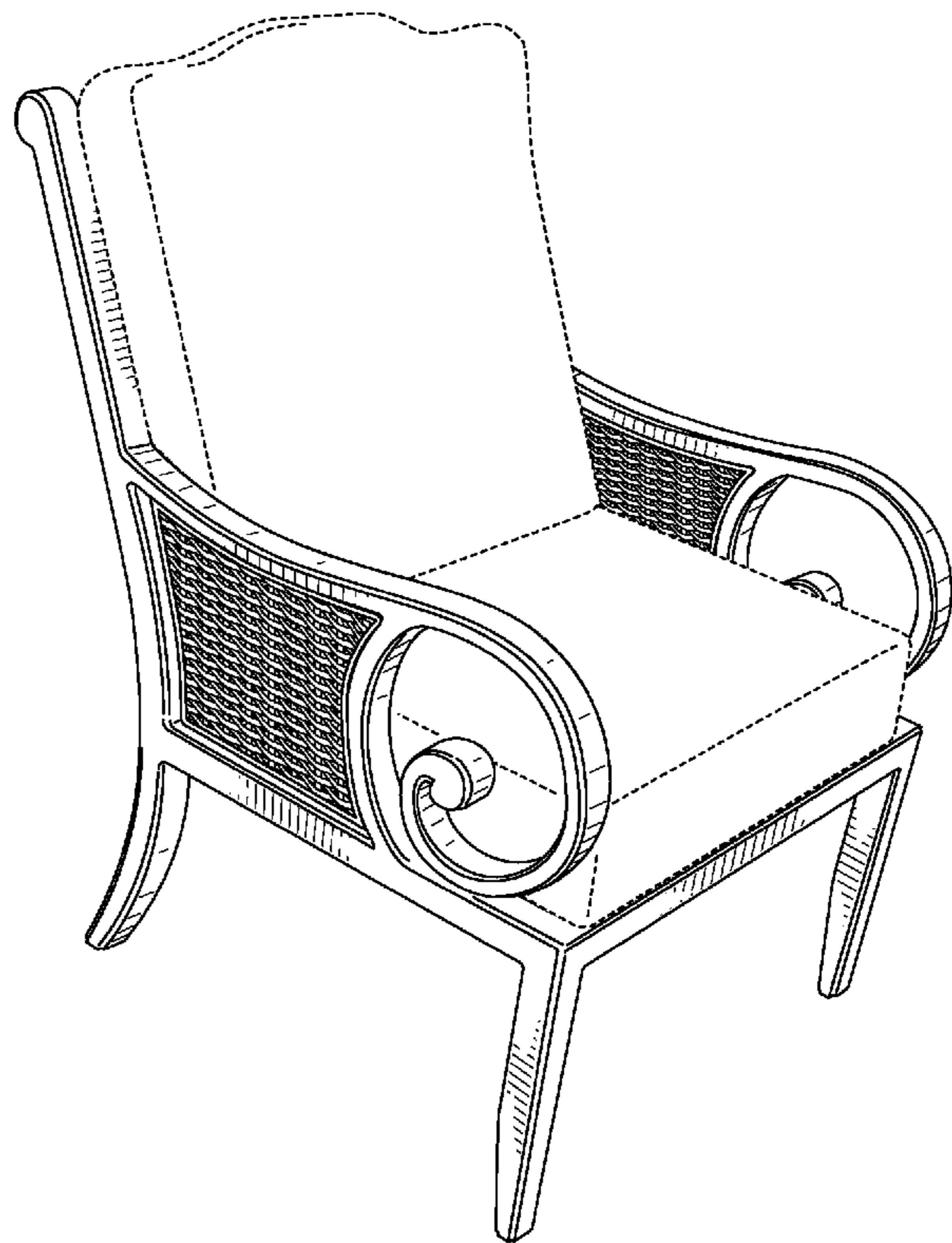
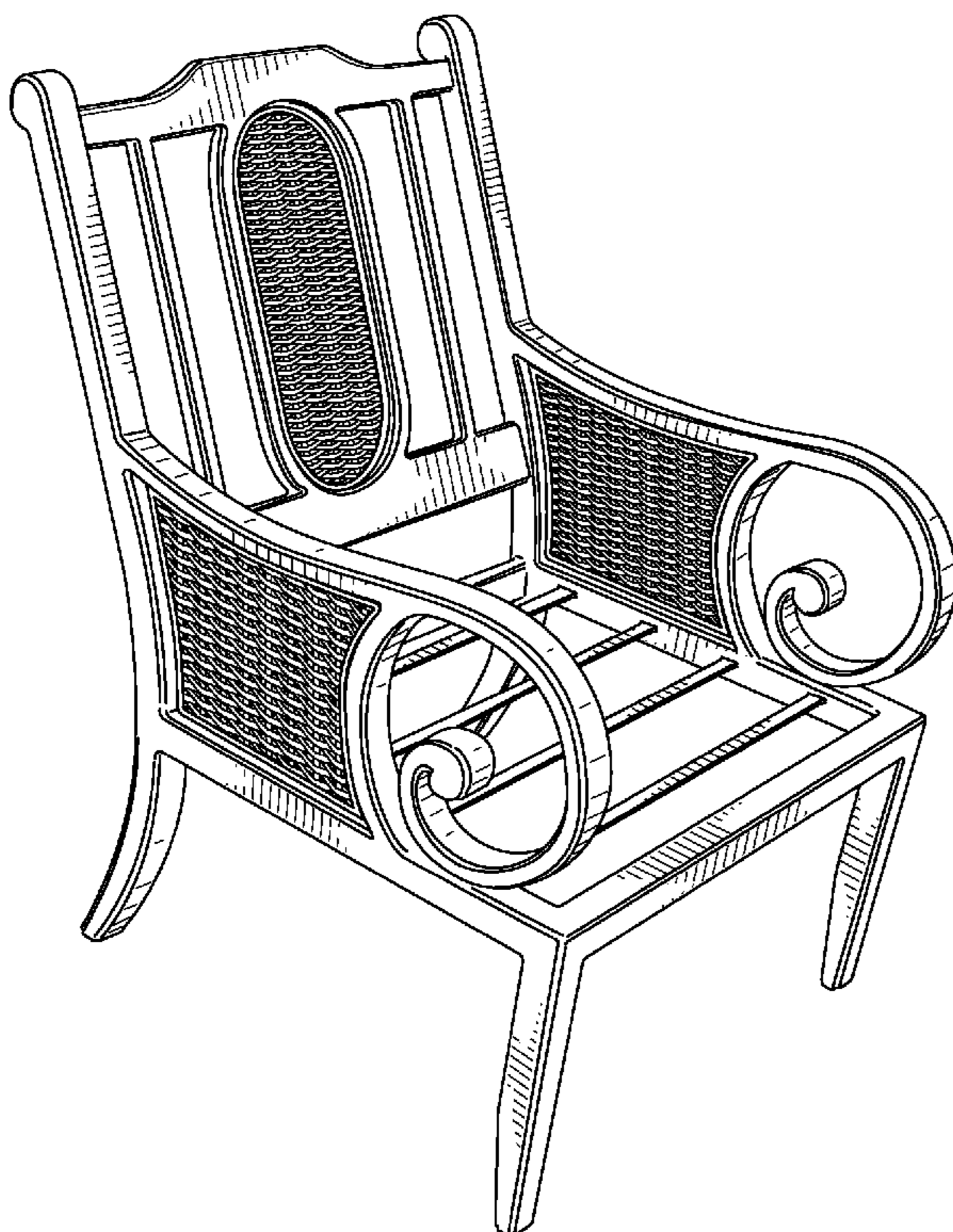
FIG. 5 is a rear elevational view thereof,

FIG. 6 is a top plan view thereof;

FIG. 7 is a bottom plan view thereof; and,

FIG. 8 is another perspective view thereof. The broken lines showing of the cushions are for illustrative purposes only and form no part of the claimed design.

1 Claim, 8 Drawing Sheets



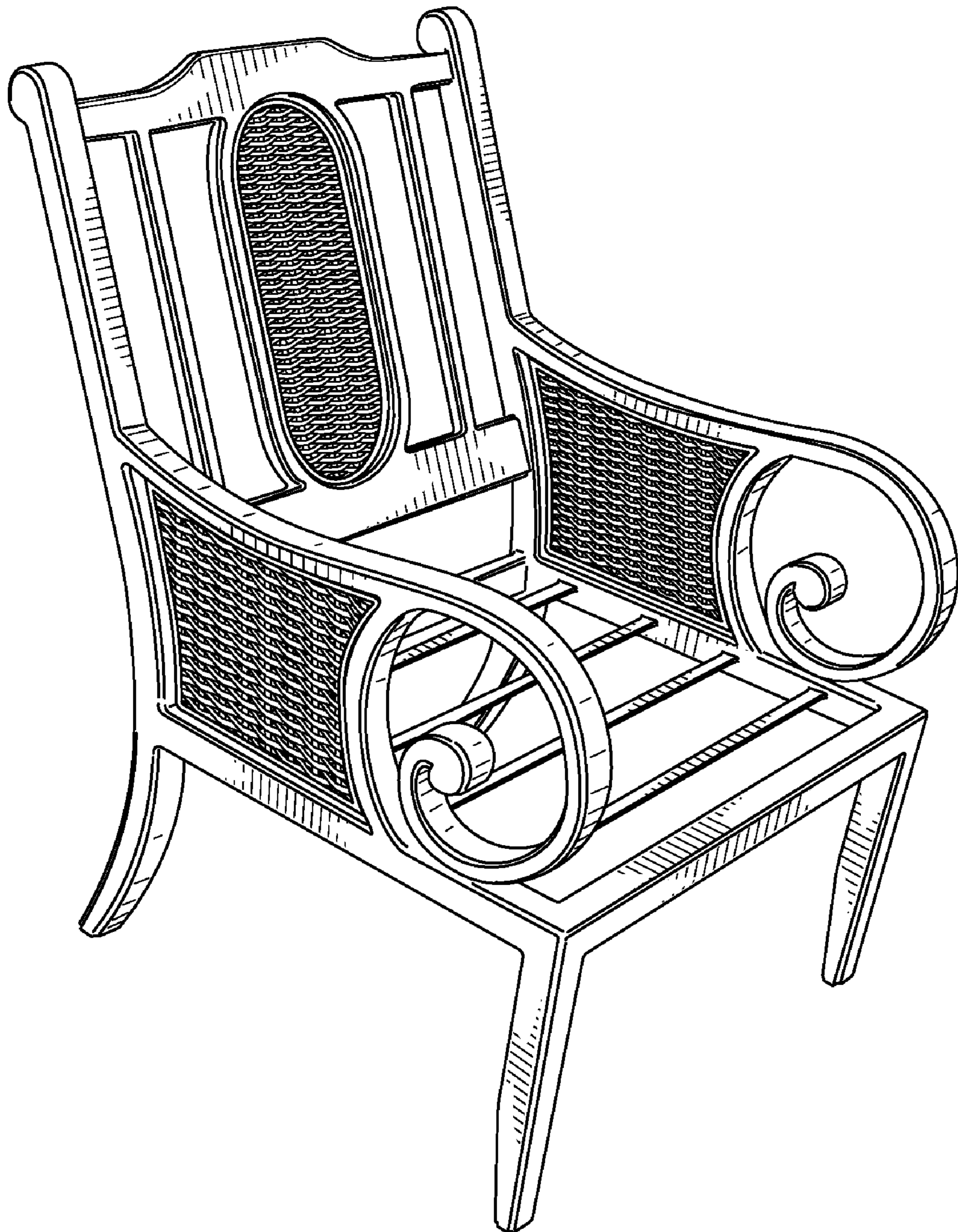


FIG. 1

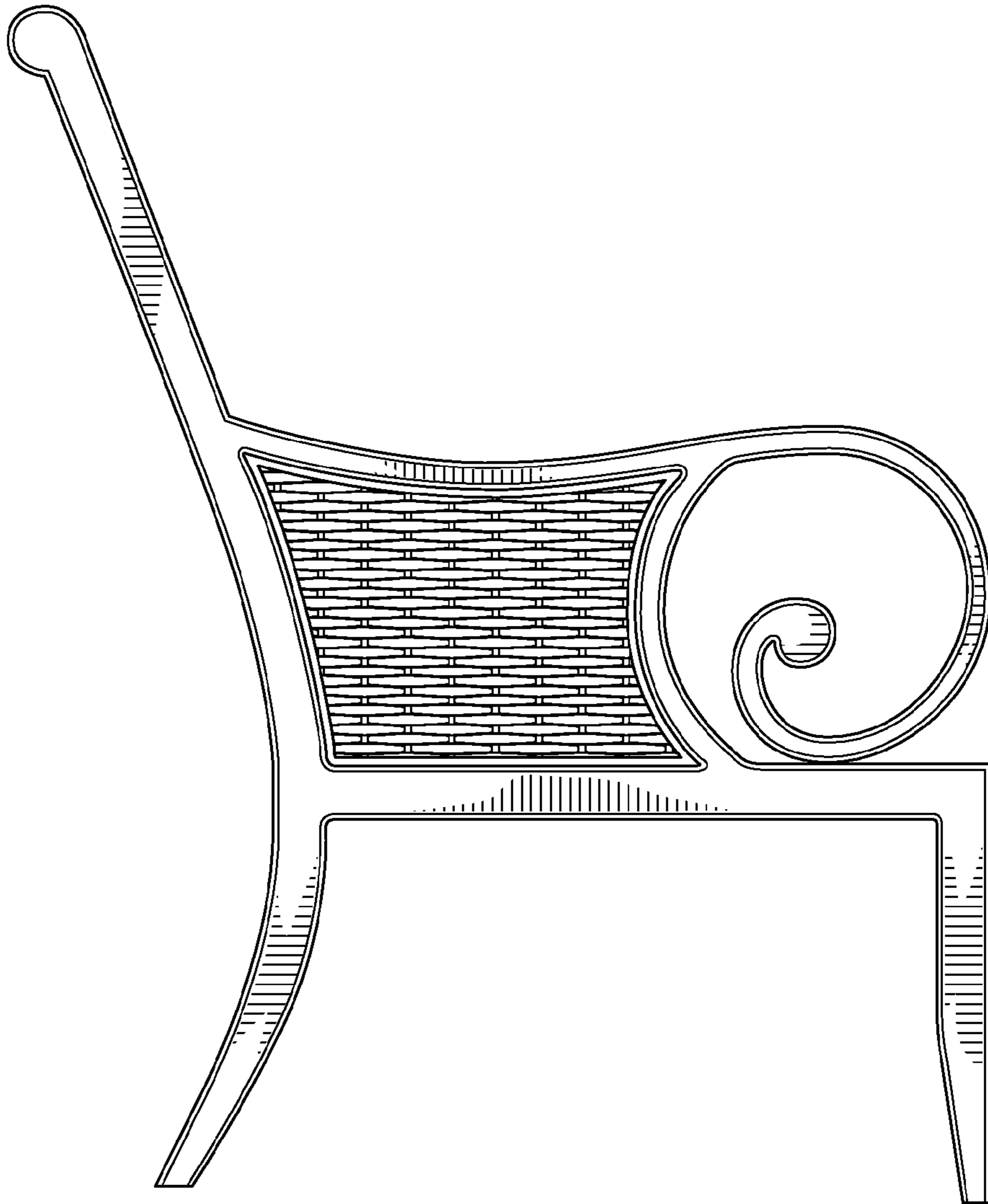


FIG. 2

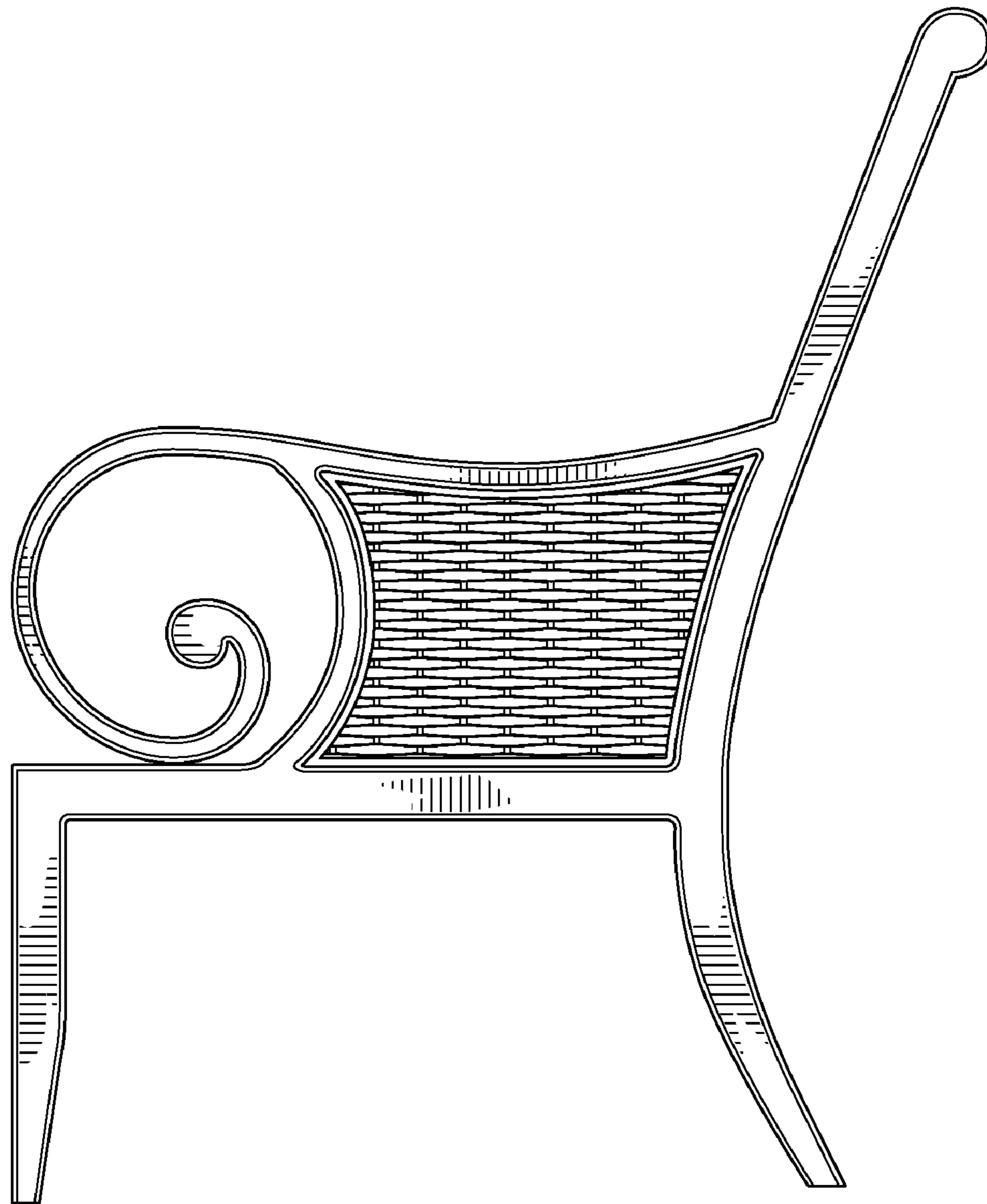


FIG. 3

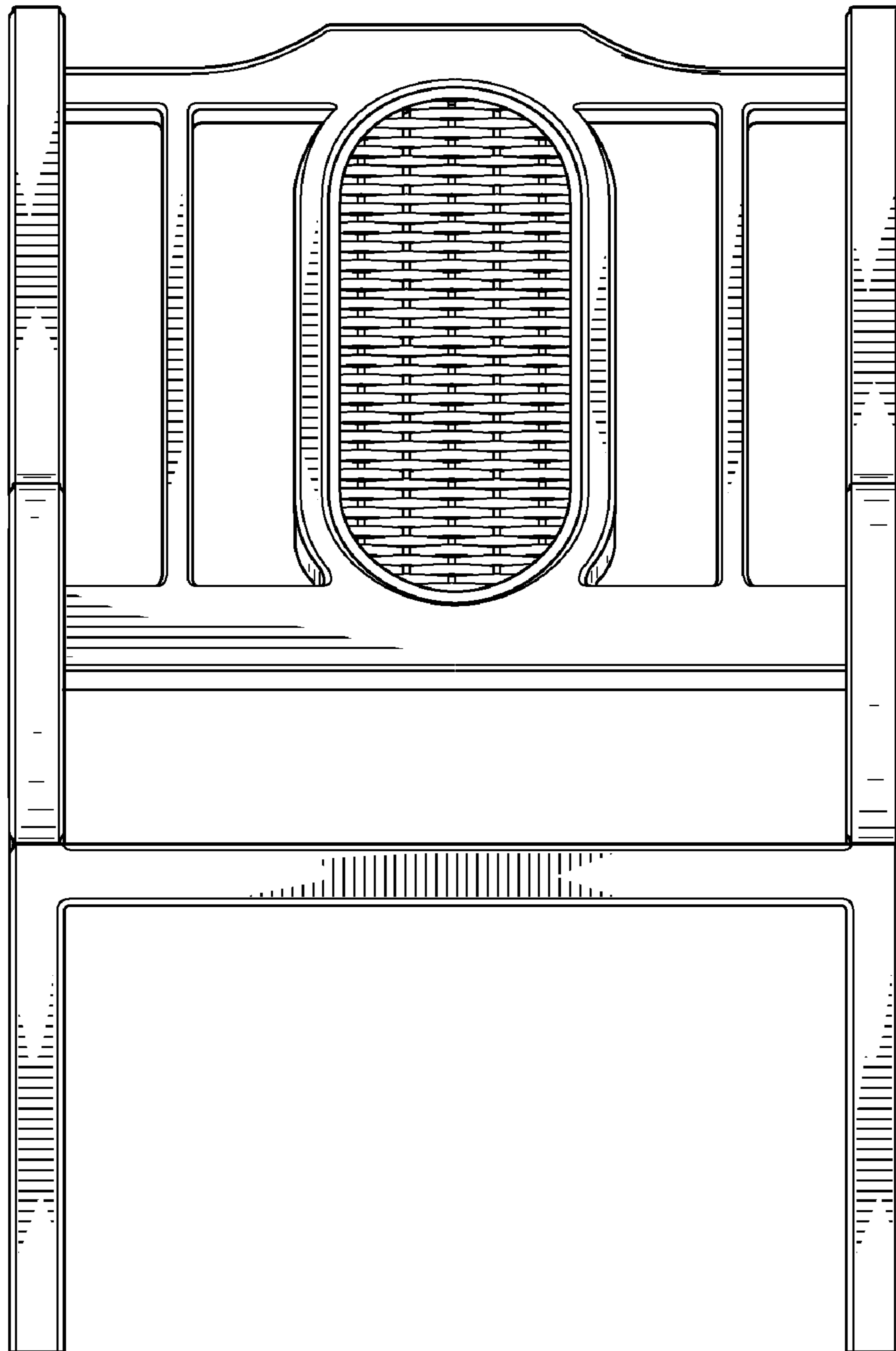


FIG. 4

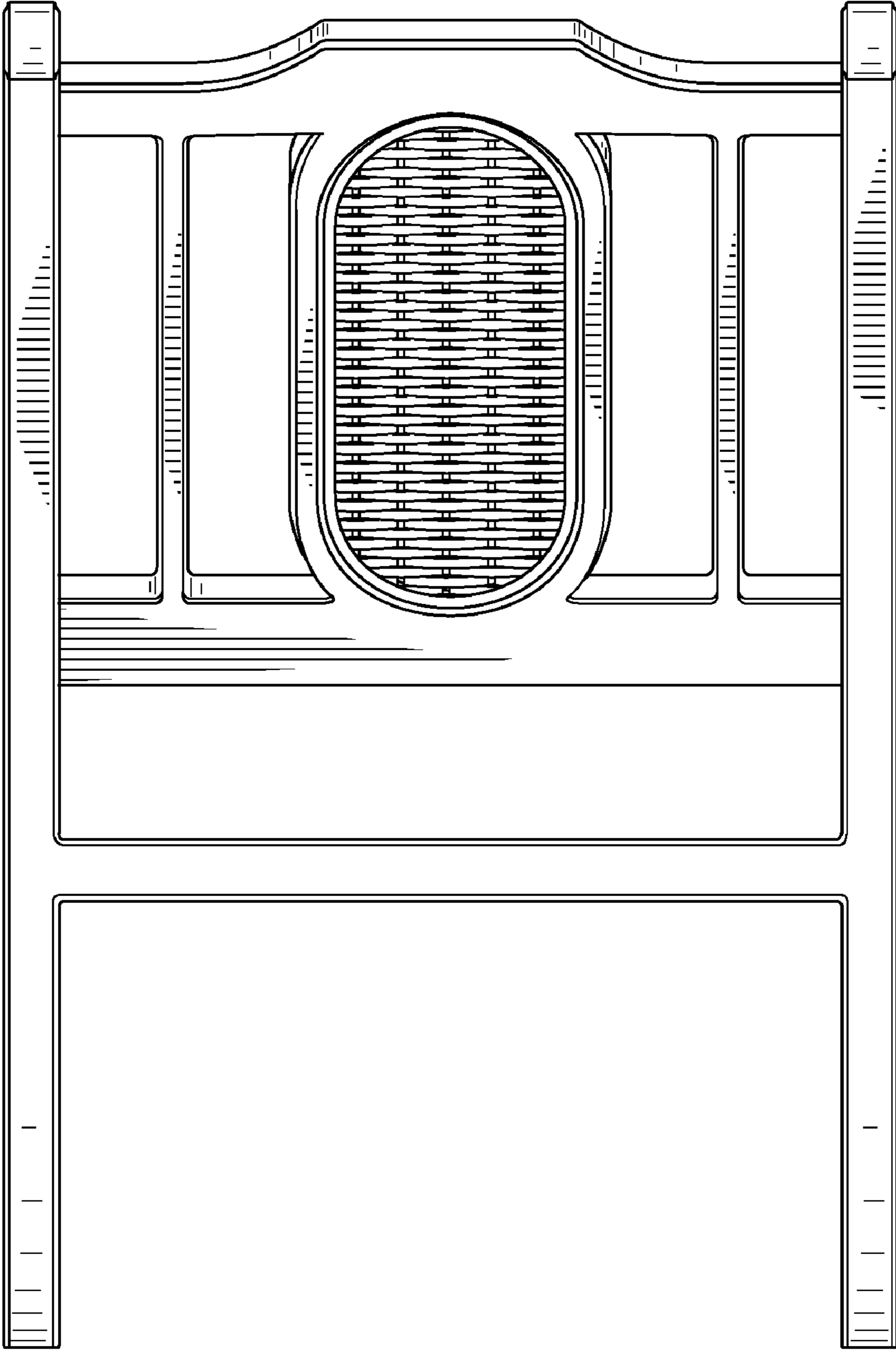


FIG. 5

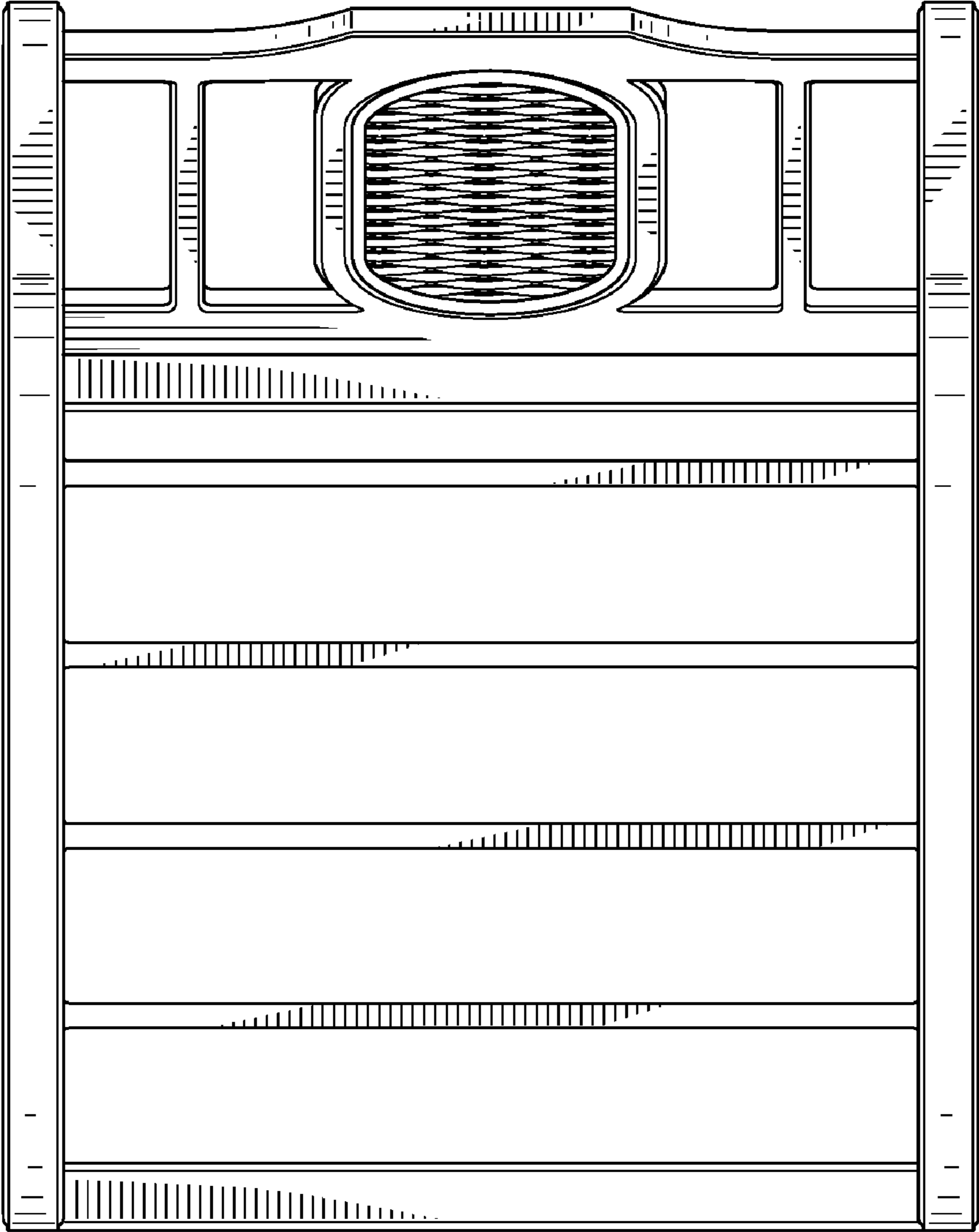


FIG. 6

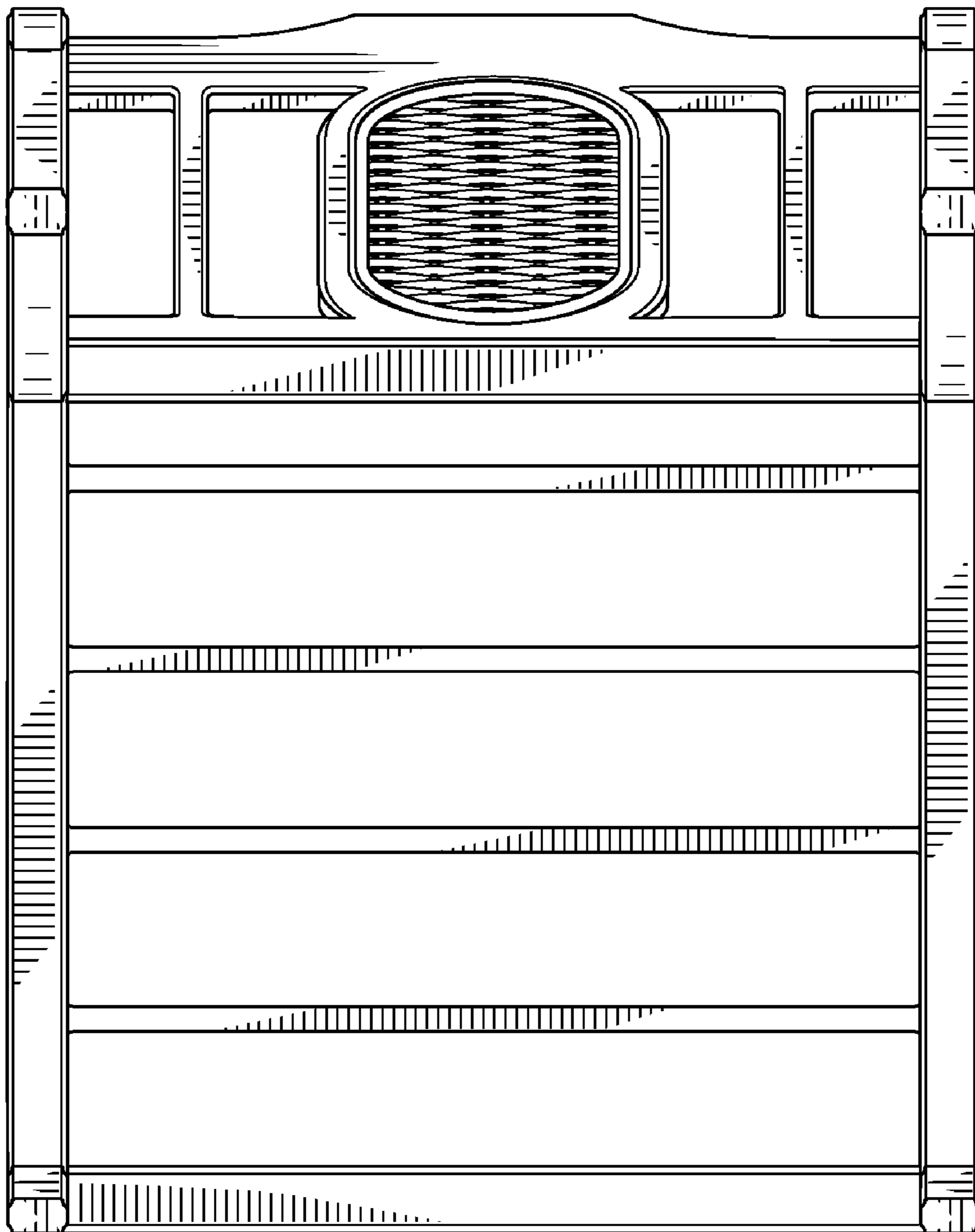


FIG. 7

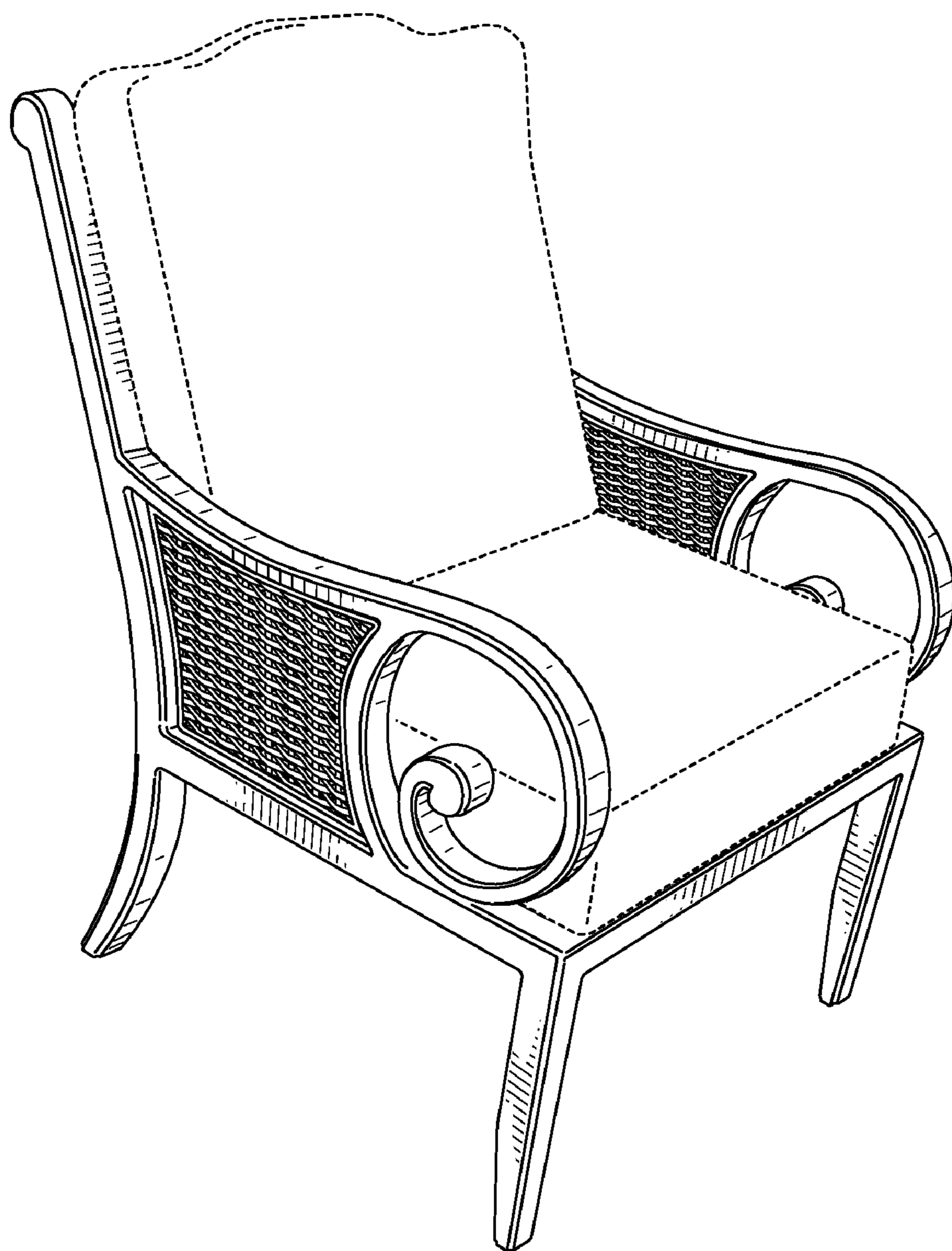


FIG. 8