



US00D552359S

(12) **United States Design Patent** (10) **Patent No.:** **US D552,359 S**  
**Mischel, Jr.** (45) **Date of Patent:** **\*\* Oct. 9, 2007**

(54) **LIGHTED MIRROR**

(76) **Inventor:** **James Vernon Mischel, Jr.**, 170th W.  
Dayton, 106A, Edmonds, WA (US)  
98020

(\*\*) **Term:** **14 Years**

(21) **Appl. No.:** **29/258,476**

(22) **Filed:** **Apr. 22, 2006**

(51) **LOC (8) Cl.** ..... **06-07**

(52) **U.S. Cl.** ..... **D6/300**

(58) **Field of Classification Search** ..... D6/300-314,  
D6/444; D20/10, 40; 40/700, 735, 738,  
40/744, 798; D28/64.1; 250/492.23; D19/52;  
D11/132; D21/366; D7/698, 554.3  
See application file for complete search history.

(56) **References Cited**

**U.S. PATENT DOCUMENTS**

D114,451 S	4/1939	Lazarus	
D267,162 S *	12/1982	Buschmann	..... D11/133
D268,349 S *	3/1983	Cobb	..... D20/10
D277,874 S *	3/1985	Zeischegg et al.	..... D19/52
4,777,746 A *	10/1988	Brooks	..... 40/773
D312,925 S *	12/1990	Burhardt	..... D6/314
D320,364 S *	10/1991	Hernandez	..... D11/131

5,242,732 A *	9/1993	Bahakel	..... 428/81
D339,921 S	10/1993	Nourse	
D345,379 S	3/1994	Chan	
D405,473 S	2/1999	Tikhonski et al.	
D433,573 S	11/2000	Rochon	
D434,571 S *	12/2000	Copeland	..... D6/314
D480,923 S *	10/2003	Neubourg	..... D7/554.3
2005/0188575 A1 *	9/2005	Hall et al.	..... 40/768

\* cited by examiner

*Primary Examiner*—Janice E. Seeger

*Assistant Examiner*—Sydney R. Buffalow

(74) *Attorney, Agent, or Firm*—Christensen O'Connor  
Johnson Kindness PLLC

(57) **CLAIM**

The ornamental design for a lighted mirror, as shown and described.

**DESCRIPTION**

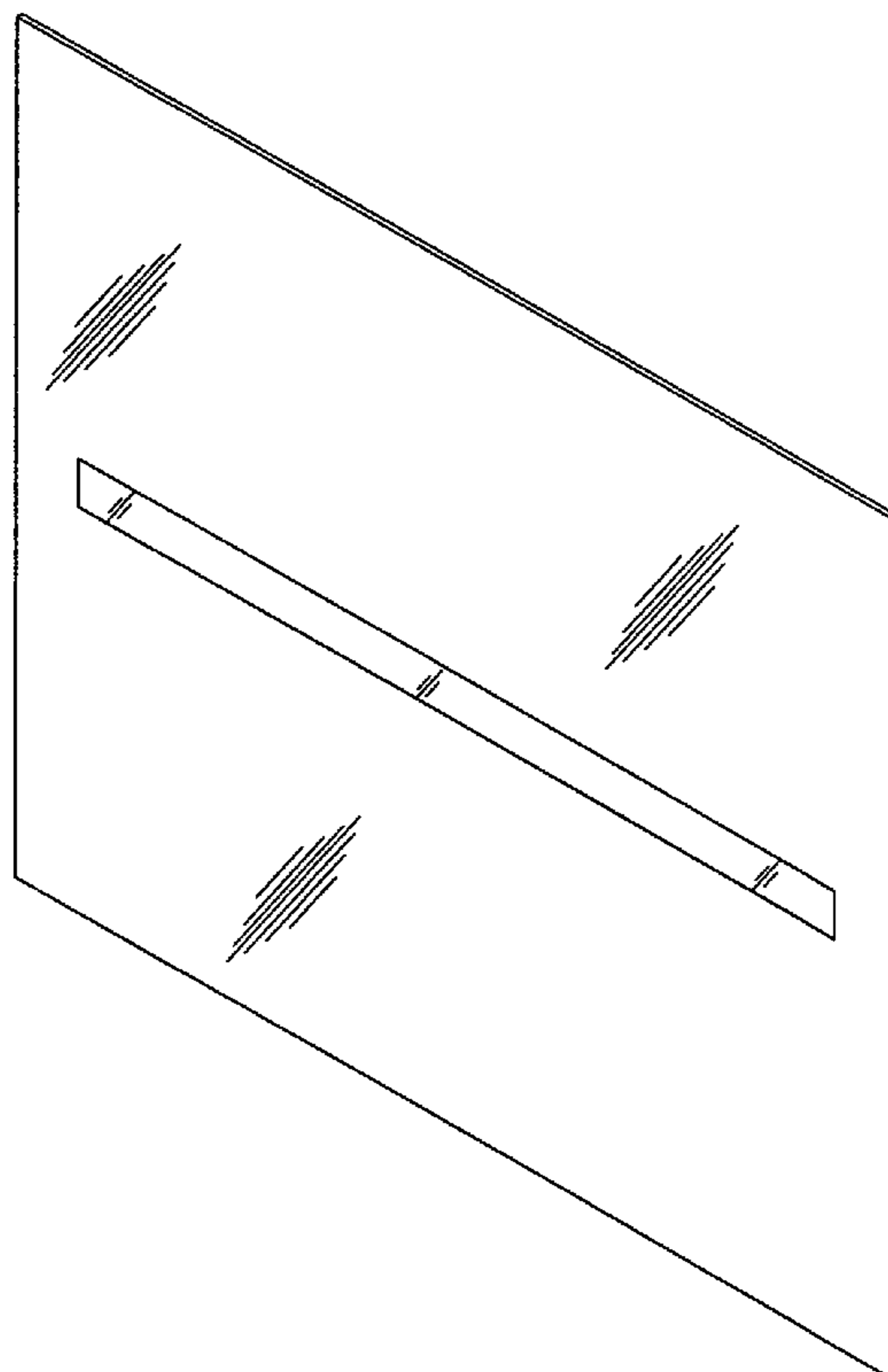
FIG. 1 is a perspective view of a lighted mirror, showing my new design:

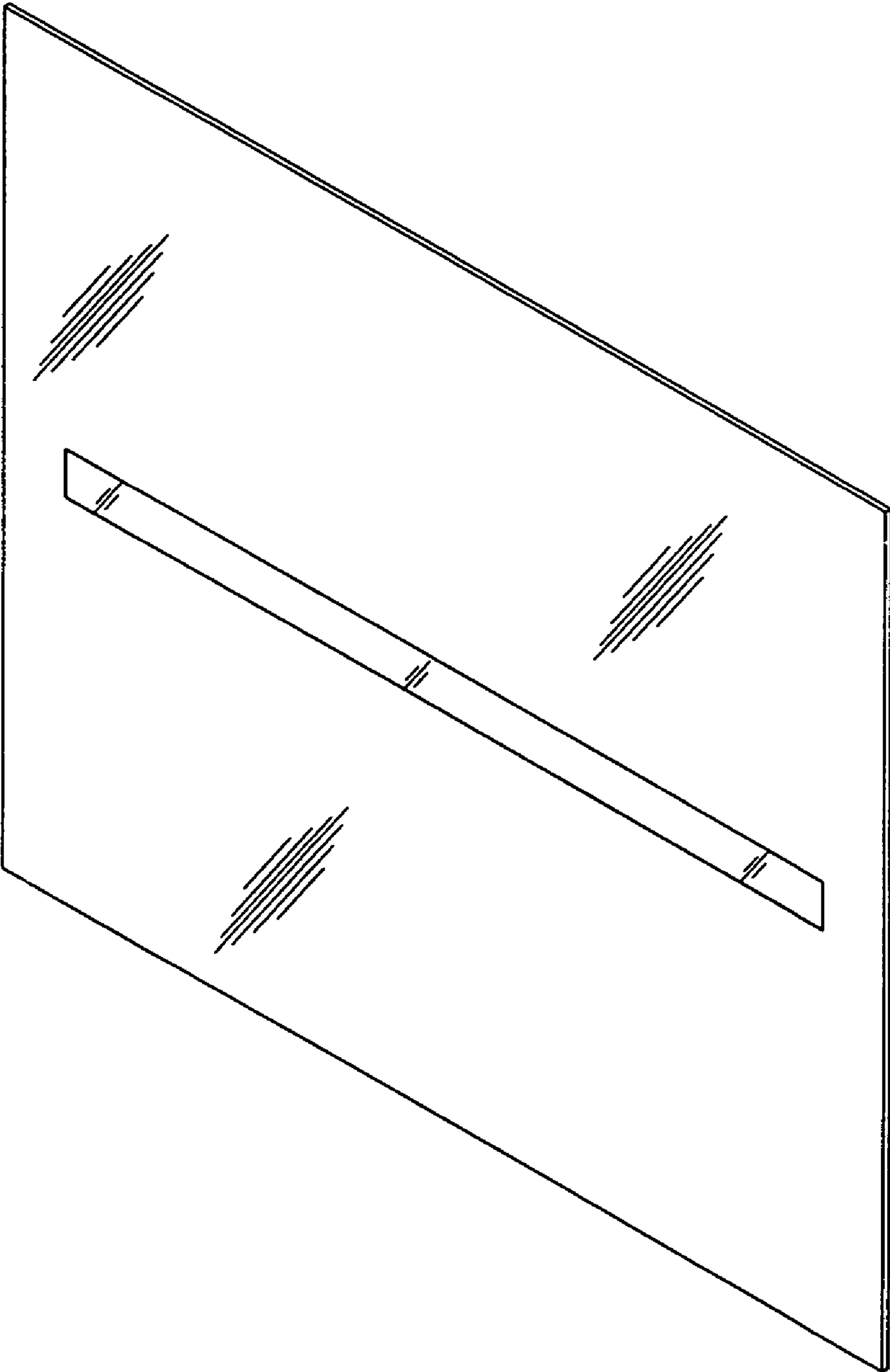
FIG. 2 is a front view and back view thereof;

FIG. 3 is a left side view and a right side view thereof; and,

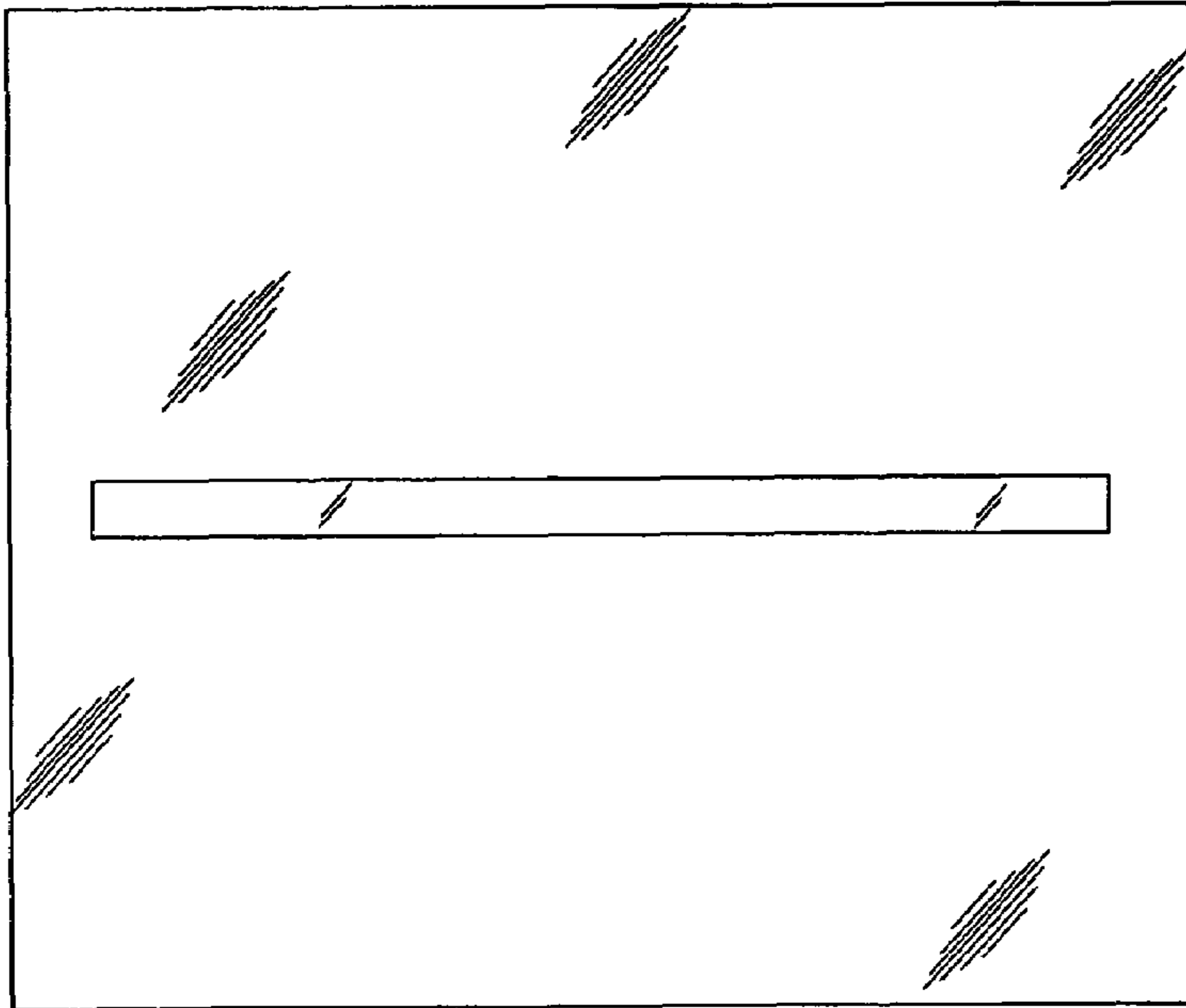
FIG. 4 is a top view and a bottom view thereof.

**1 Claim, 2 Drawing Sheets**

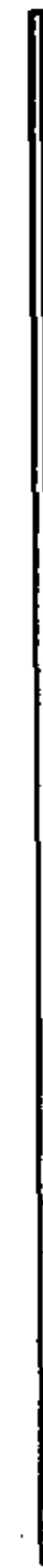




*Fig. 1*



*Fig. 2.*



*Fig. 3.*



*Fig. 4.*