



US00D552357S

(12) **United States Design Patent**
Fu

(10) **Patent No.:** **US D552,357 S**

(45) **Date of Patent:** **** Oct. 9, 2007**

(54) **PHOTO FRAME**

(75) Inventor: **Gary Fu**, Hong Kong (CN)

(73) Assignee: **Kingdy Li**, Quarry Bay, Hong Kong (CN)

(**) Term: **14 Years**

(21) Appl. No.: **29/256,298**

(22) Filed: **Mar. 17, 2006**

(30) **Foreign Application Priority Data**

Sep. 22, 2005 (HK) 0502223

(51) **LOC (8) Cl.** **06-07**

(52) **U.S. Cl.** **D6/300; D10/2; D10/4**

(58) **Field of Classification Search** D6/300-314,
D6/444; 40/700-711, 714-717, 722, 721,
40/745, 748, 754, 755, 756, 790, 798; 248/441.1,
248/442.2, 444.1, 446, 460; D10/2, 4
See application file for complete search history.

(56) **References Cited**

U.S. PATENT DOCUMENTS

D65,864 S * 10/1924 McKay D6/306
D139,166 S * 10/1944 Cushman D6/314
D149,202 S * 4/1948 Maugham D6/314
D259,879 S * 7/1981 Pearl D14/254

D266,338 S * 9/1982 Mandel D20/43
D271,168 S * 11/1983 Antonezyk D6/300
D396,562 S * 8/1998 Kenney D6/314
D423,796 S * 5/2000 Kwan D6/314
D457,733 S * 5/2002 Sussman et al. D6/300
D497,485 S * 10/2004 Resultan D6/300

* cited by examiner

Primary Examiner—Caron D. Veynar

Assistant Examiner—Sydney R. Buffalow

(74) *Attorney, Agent, or Firm*—Alix, Yale & Ristas, LLP

(57) **CLAIM**

The ornamental design for a photo frame, as shown and described.

DESCRIPTION

FIG. 1 is a front perspective view of a weather station with photo frame showing my new design;

FIG. 2 is a front elevational view thereof;

FIG. 3 is a left side elevational view thereof;

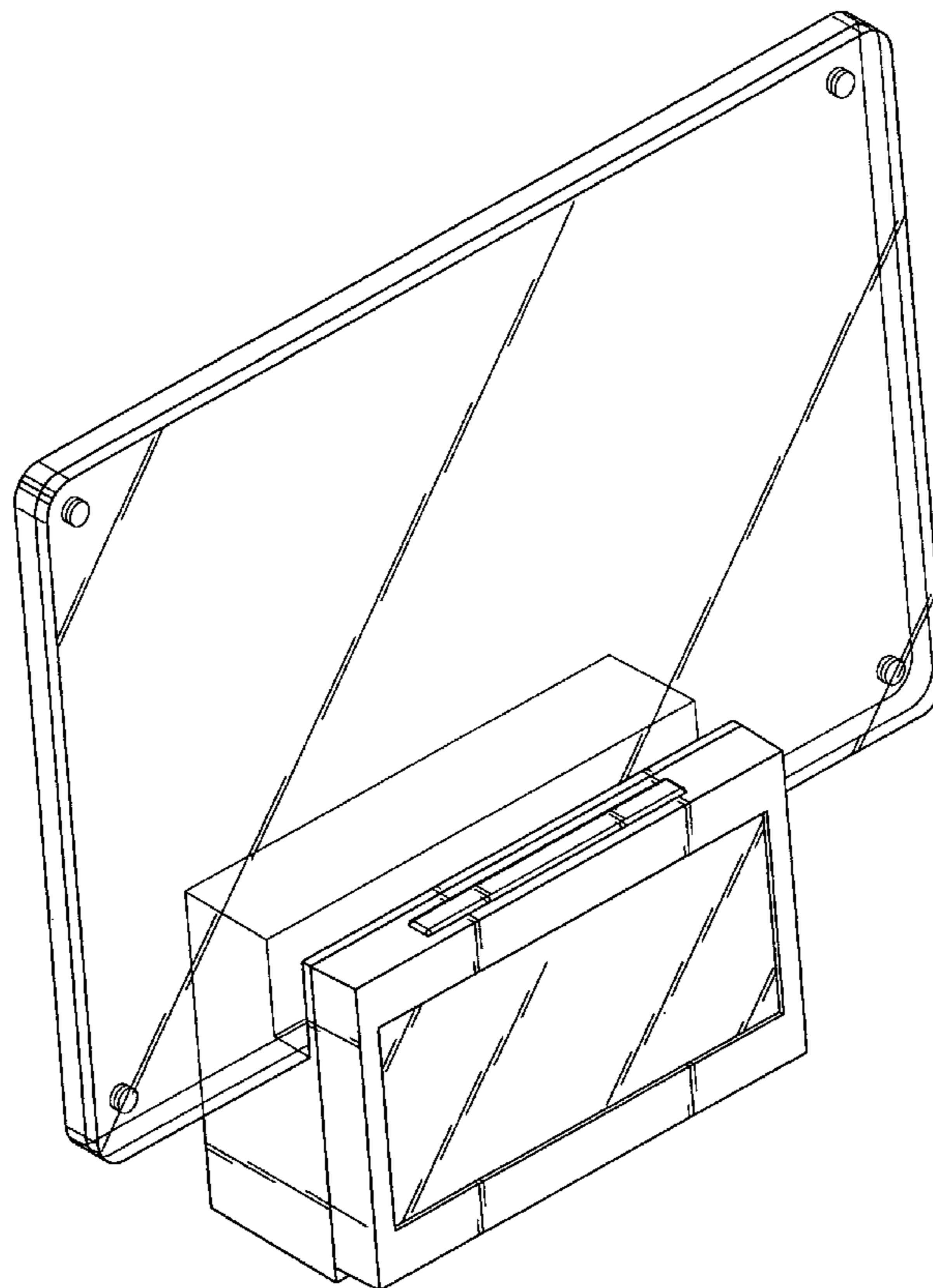
FIG. 4 is a right side elevational view thereof;

FIG. 5 is a rear elevational view thereof;

FIG. 6 is a top plan view thereof; and,

FIG. 7 is a bottom plan view thereof.

1 Claim, 5 Drawing Sheets



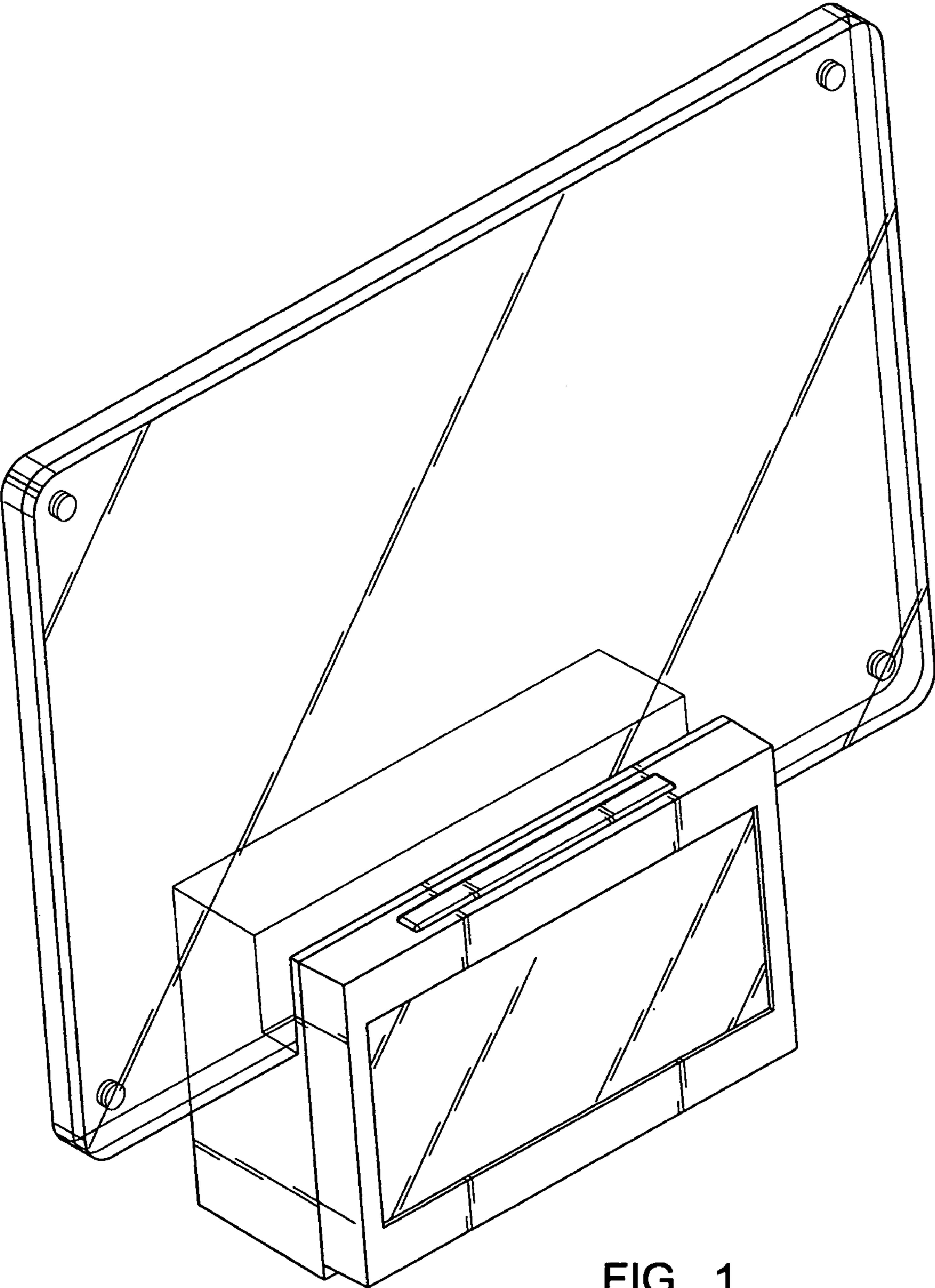


FIG. 1

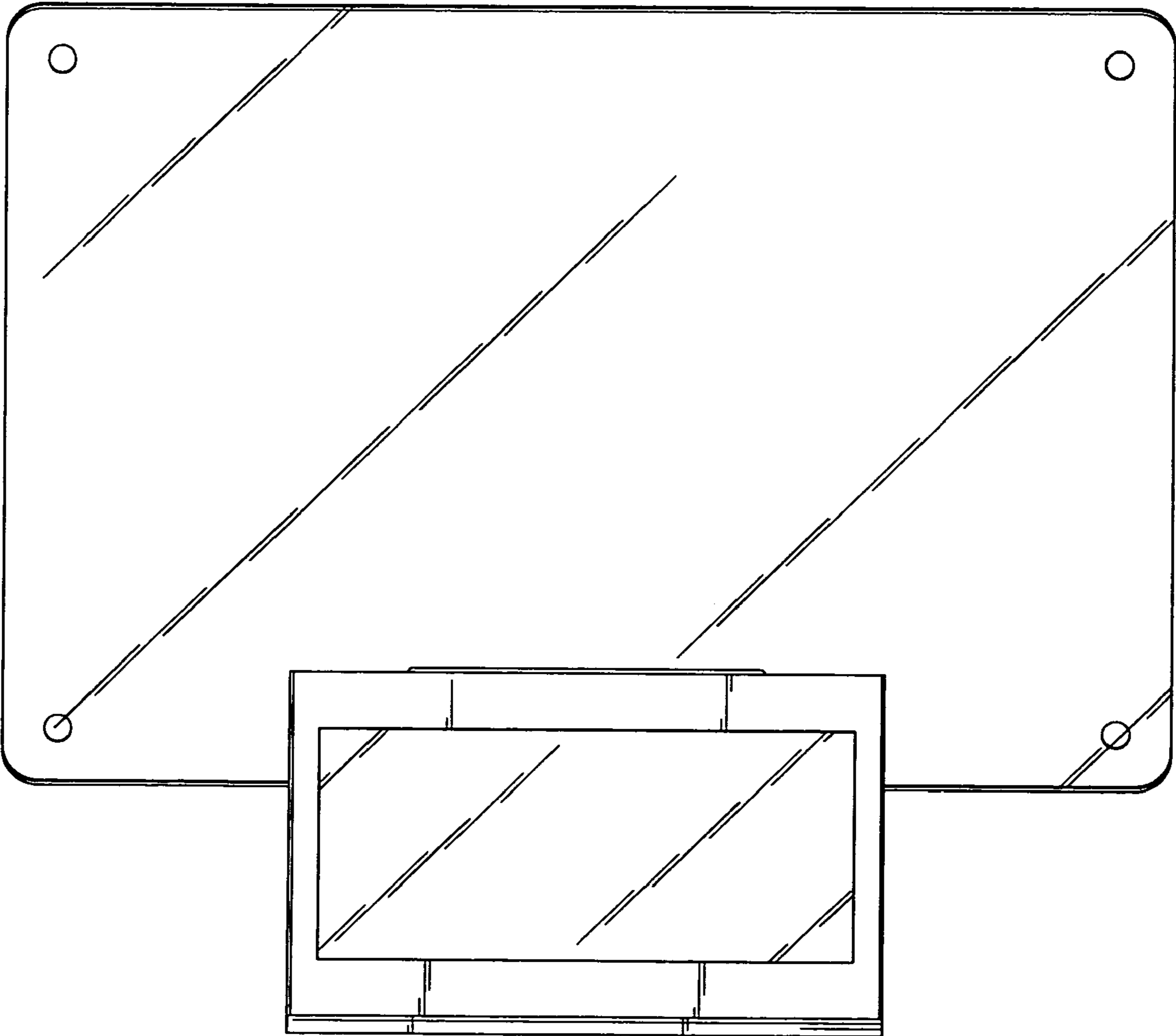


FIG. 2

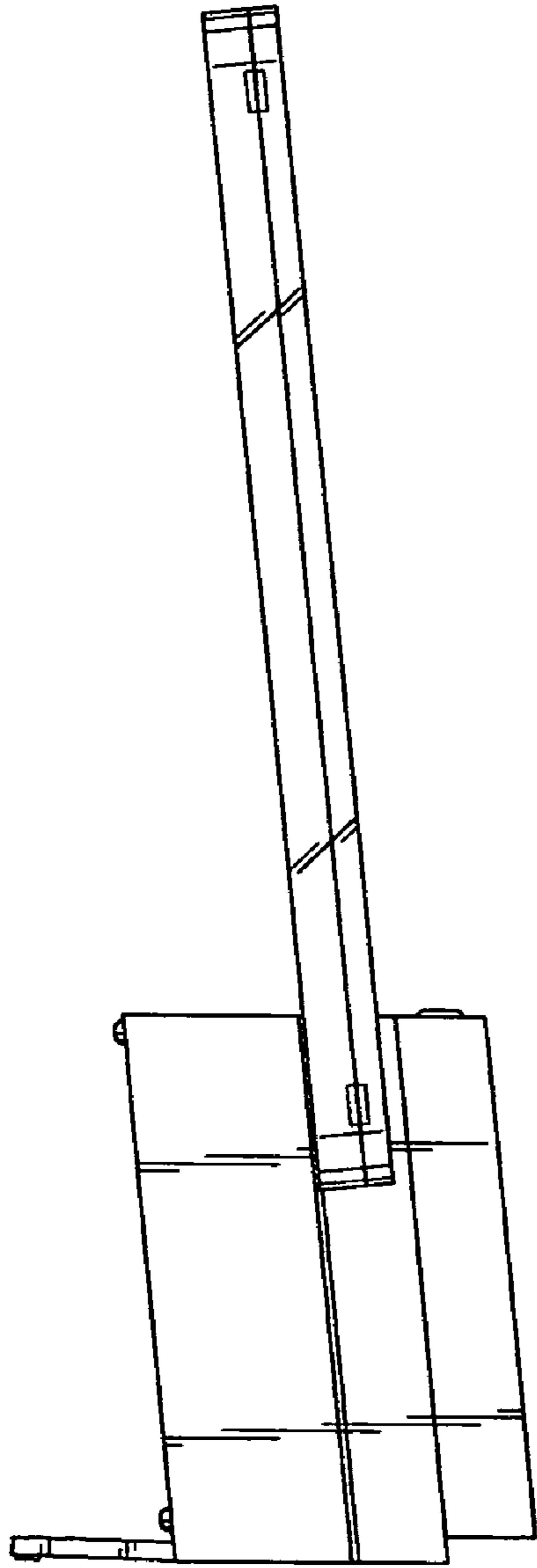


FIG. 3

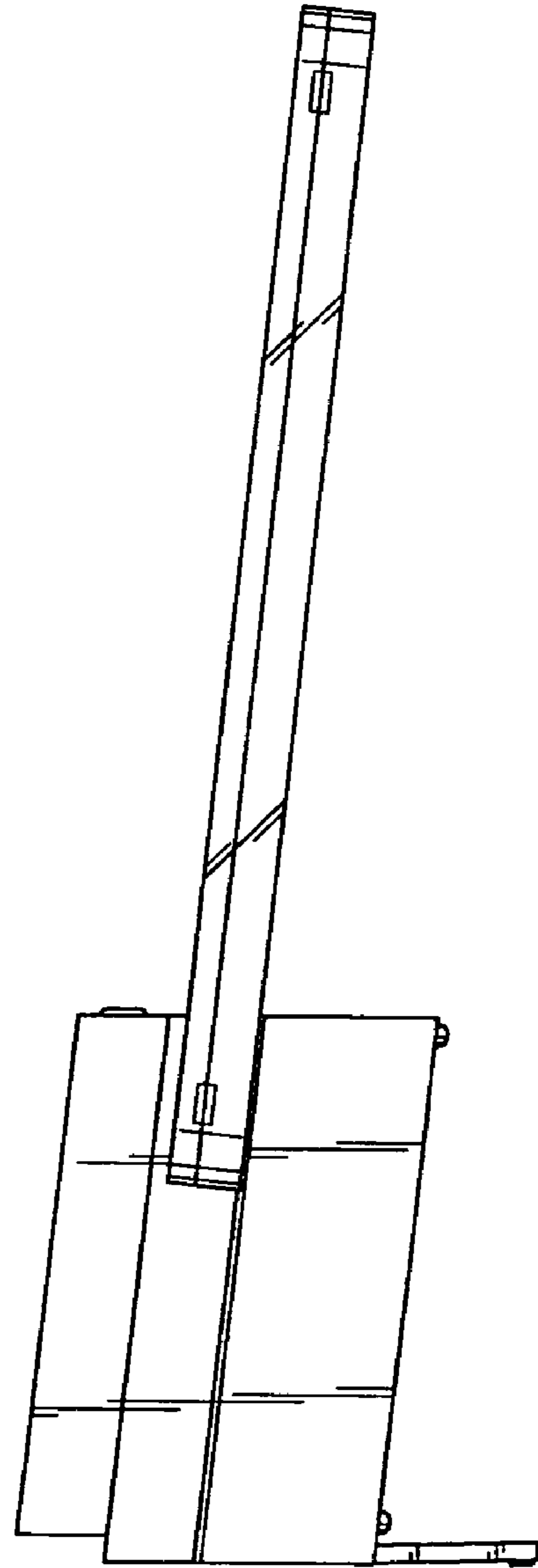


FIG. 4

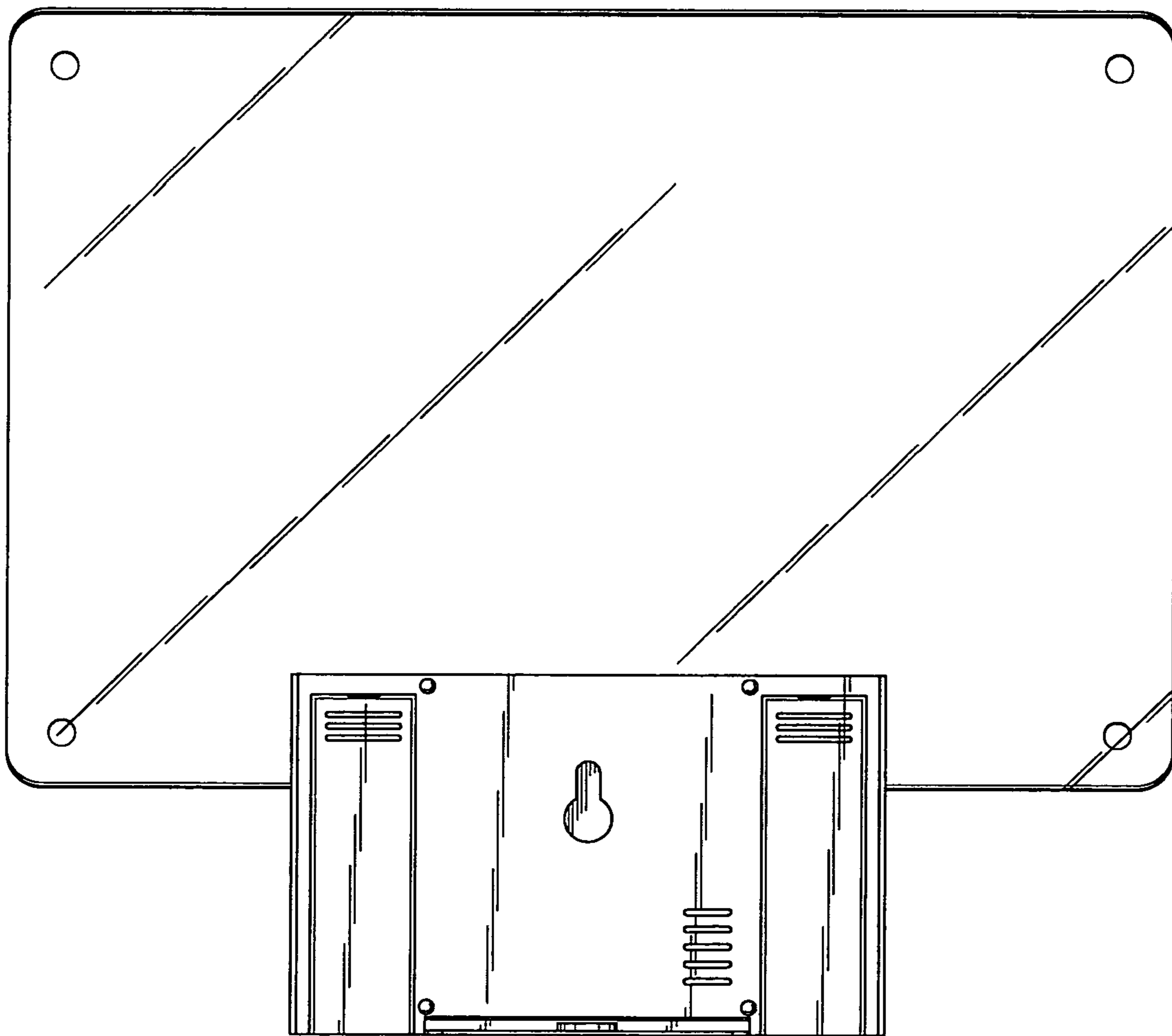


FIG. 5

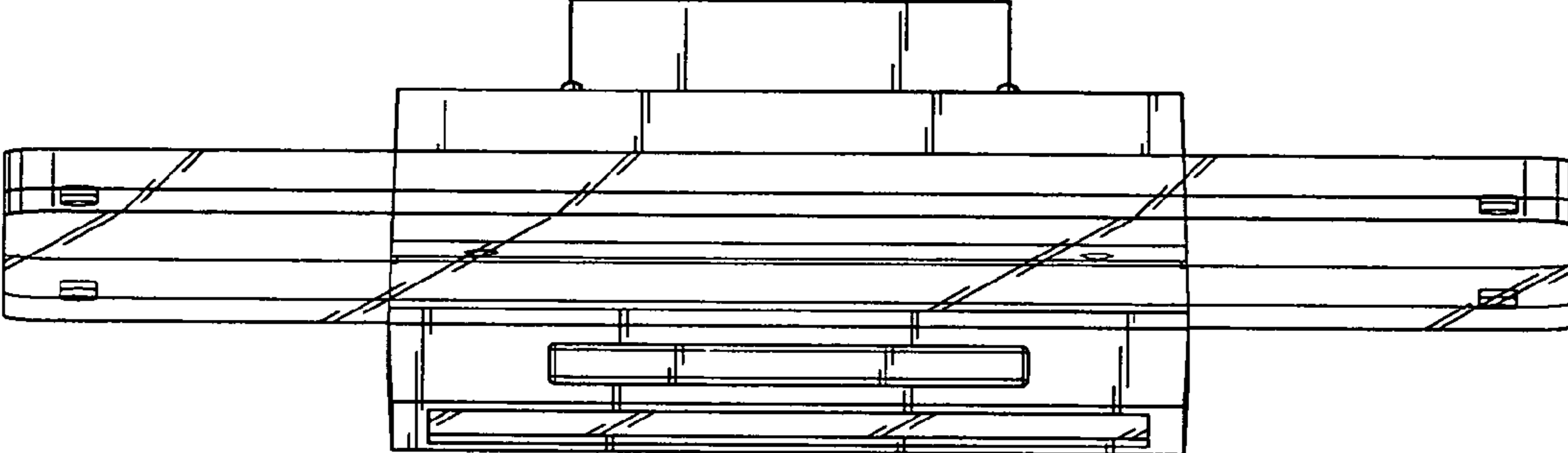


FIG. 6

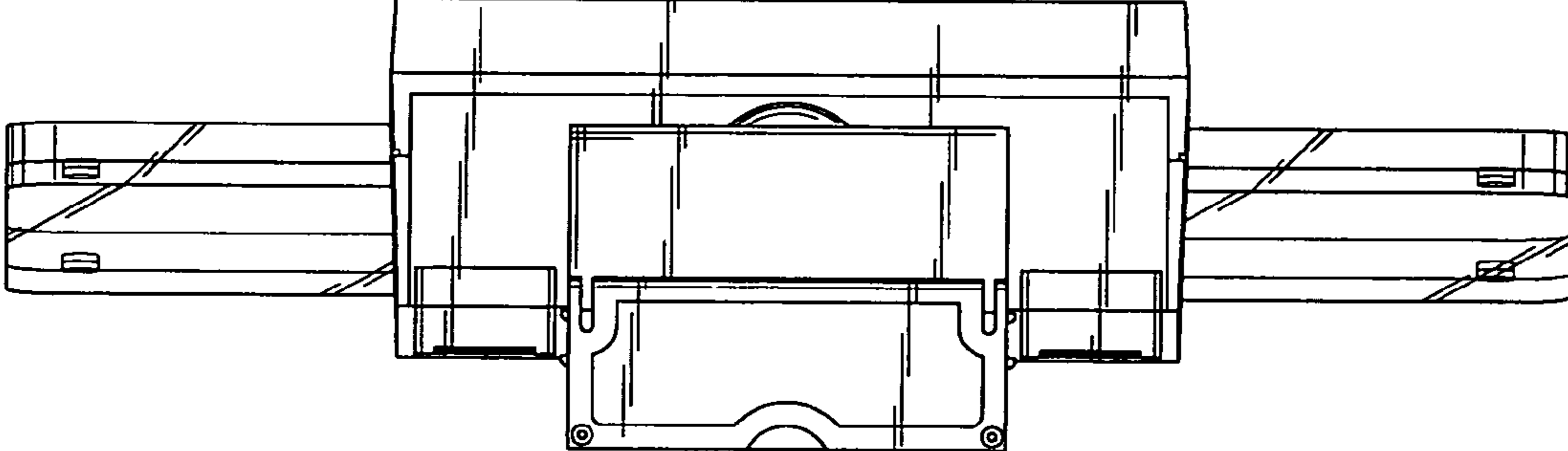


FIG. 7