



US00D552352S

(12) **United States Design Patent** (10) **Patent No.:** **US D552,352 S**
Lin (45) **Date of Patent:** **** Oct. 9, 2007**

(54) **TOOL BOX**
(75) Inventor: **Hung-Lin Lin**, Changhua (TW)
(73) Assignee: **Witman Corporation**, Changhua (TW)
(**) Term: **14 Years**

(21) Appl. No.: **29/245,643**
(22) Filed: **Dec. 28, 2005**

(51) **LOC (8) Cl.** **03-01**
(52) **U.S. Cl.** **D3/294; D3/905**
(58) **Field of Classification Search** D3/273-274,
D3/276, 282, 294-295, 905; D9/420-424,
D9/432; 206/372-373, 377-379; 220/4.21-4.24
See application file for complete search history.

(56) **References Cited**

U.S. PATENT DOCUMENTS

D243,230 S *	2/1977	Kleiner	D9/426
D283,138 S *	3/1986	Hamar	D18/11
D290,344 S *	6/1987	Toms	D9/424
D361,715 S *	8/1995	Hauptert	D9/424
D477,464 S *	7/2003	Cang	D3/295
D481,868 S *	11/2003	Cunningham et al.	D3/273
D495,597 S *	9/2004	Rubalcava et al.	D9/425
D496,133 S *	9/2004	Dittmer et al.	D28/83
D498,925 S *	11/2004	Chen	D3/294
D513,121 S *	12/2005	Rosine et al.	D3/273
D513,871 S *	1/2006	Rosine et al.	D3/273

D513,873 S *	1/2006	Bochno et al.	D3/294
D527,523 S *	9/2006	Cornwell et al.	D3/294
D529,289 S *	10/2006	Roesler	D3/294
D530,092 S *	10/2006	Roesler	D3/294
2005/0051445 A1 *	3/2005	Meehan et al.	206/372
2006/0169613 A1 *	8/2006	Roesler	206/379
2006/0169614 A1 *	8/2006	Roesler	206/379

* cited by examiner

Primary Examiner—Gary D. Watson
Assistant Examiner—RoseLynne (Ulm) Cody
(74) *Attorney, Agent, or Firm*—Rosenberg, Klein & Lee

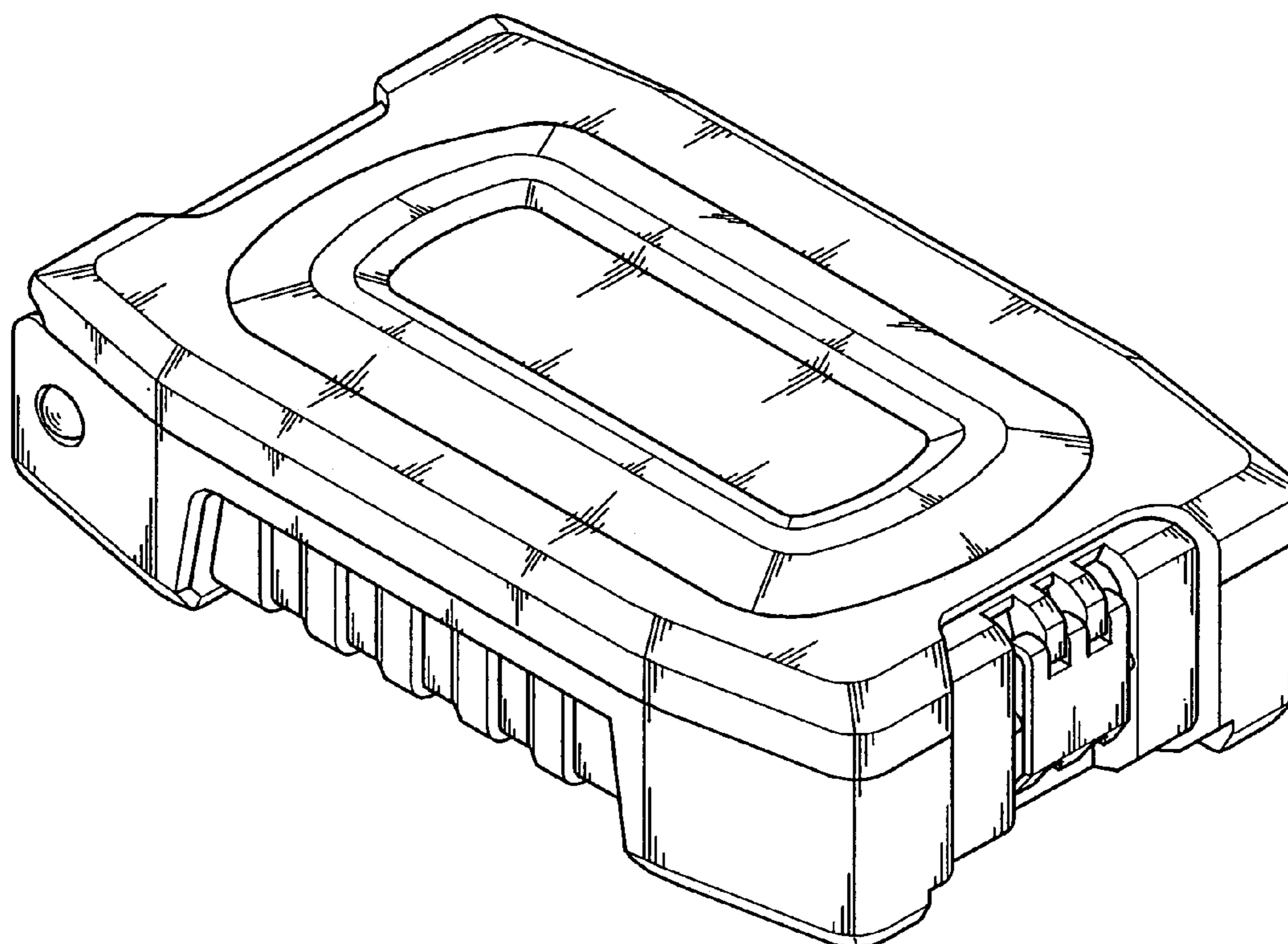
(57) **CLAIM**

The ornamental design for a tool box, as shown and described.

DESCRIPTION

FIG. 1 is a perspective view of a tool box showing my new design;
FIG. 2 is a top plain view thereof;
FIG. 3 is a bottom plain view thereof;
FIG. 4 is a front elevational view thereof;
FIG. 5 is a rear elevational view thereof;
FIG. 6 is a left side elevational view thereof; and,
FIG. 7 is a right side elevational view thereof.

1 Claim, 4 Drawing Sheets



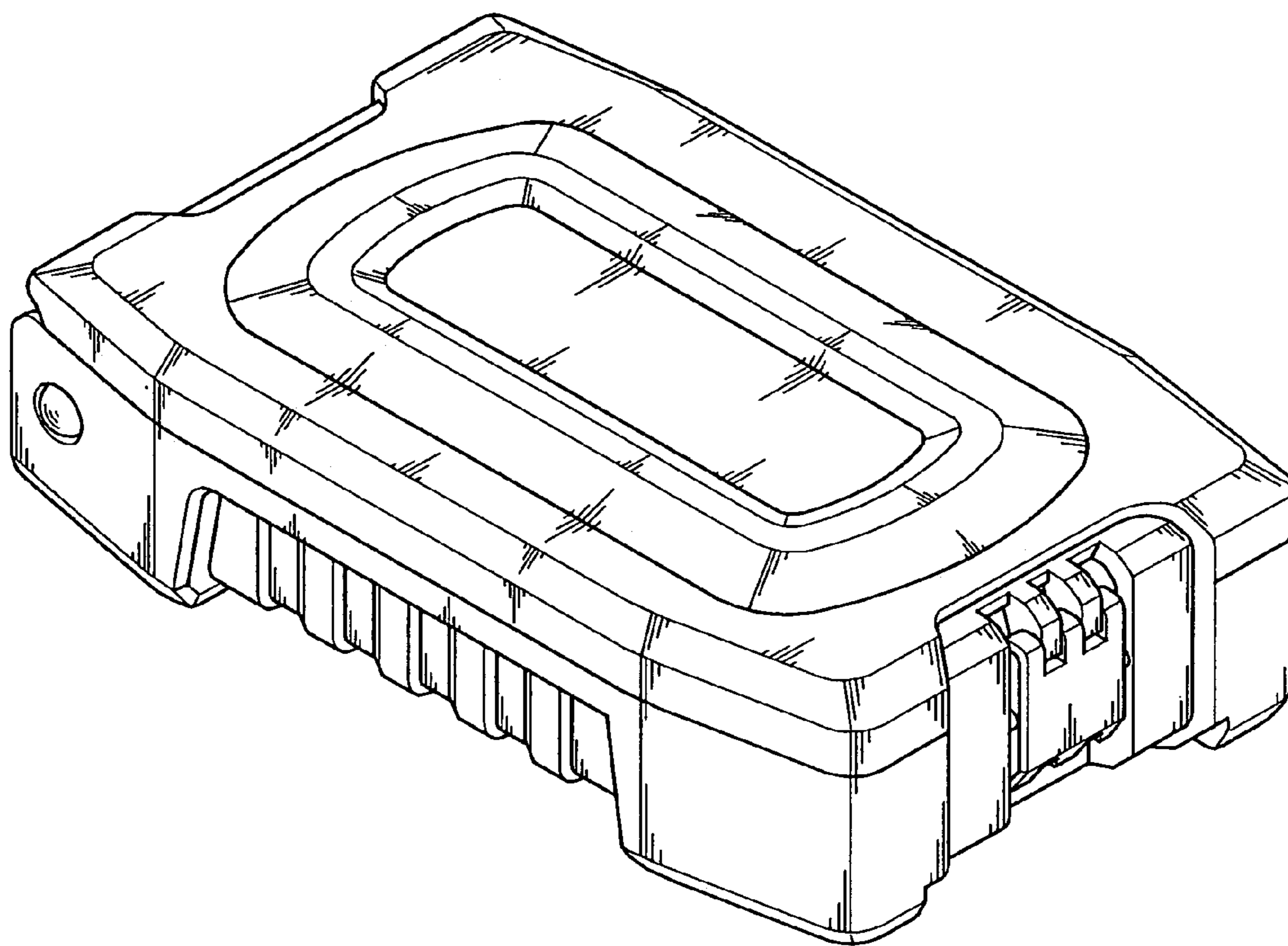


FIG. 1

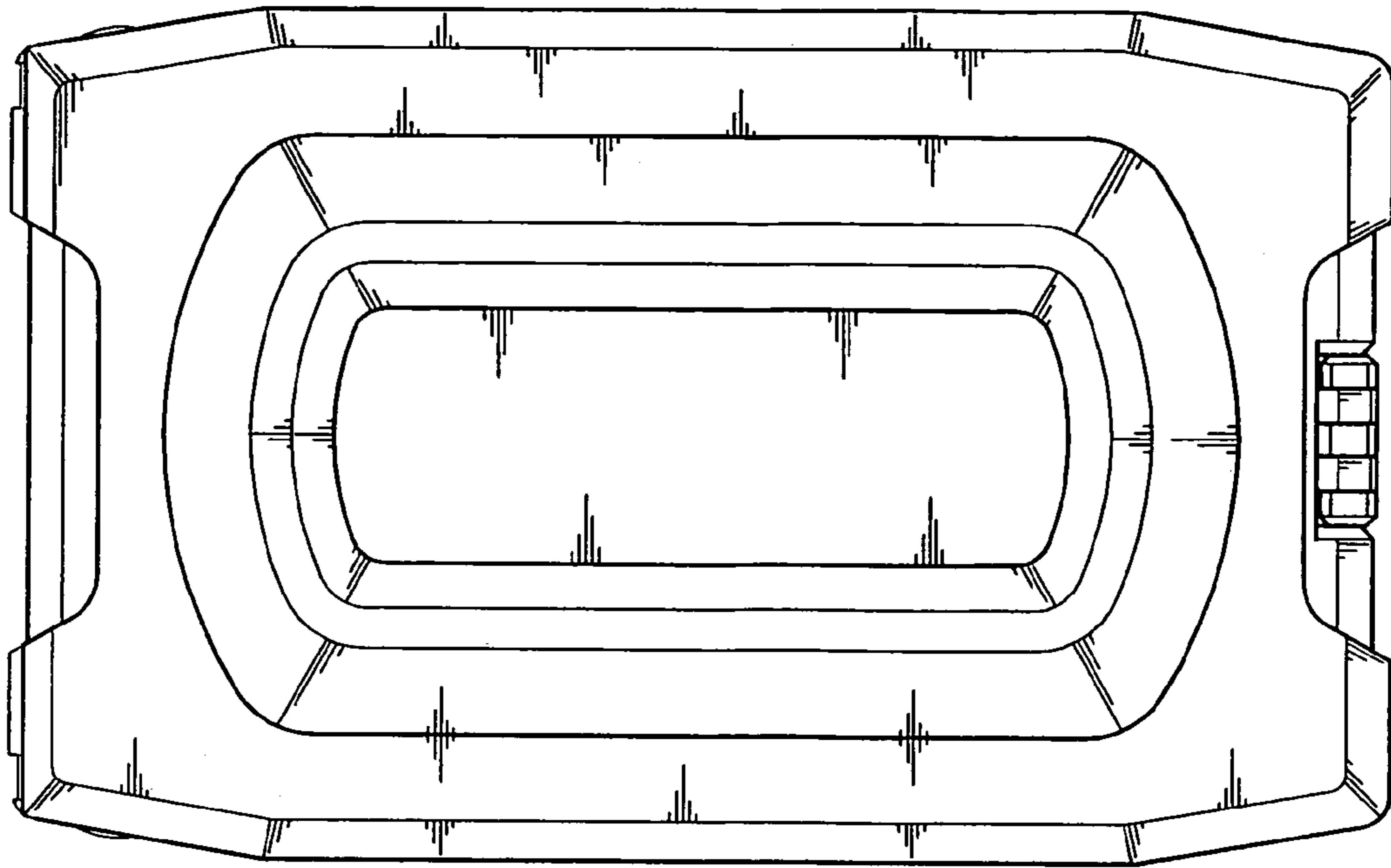


FIG. 2

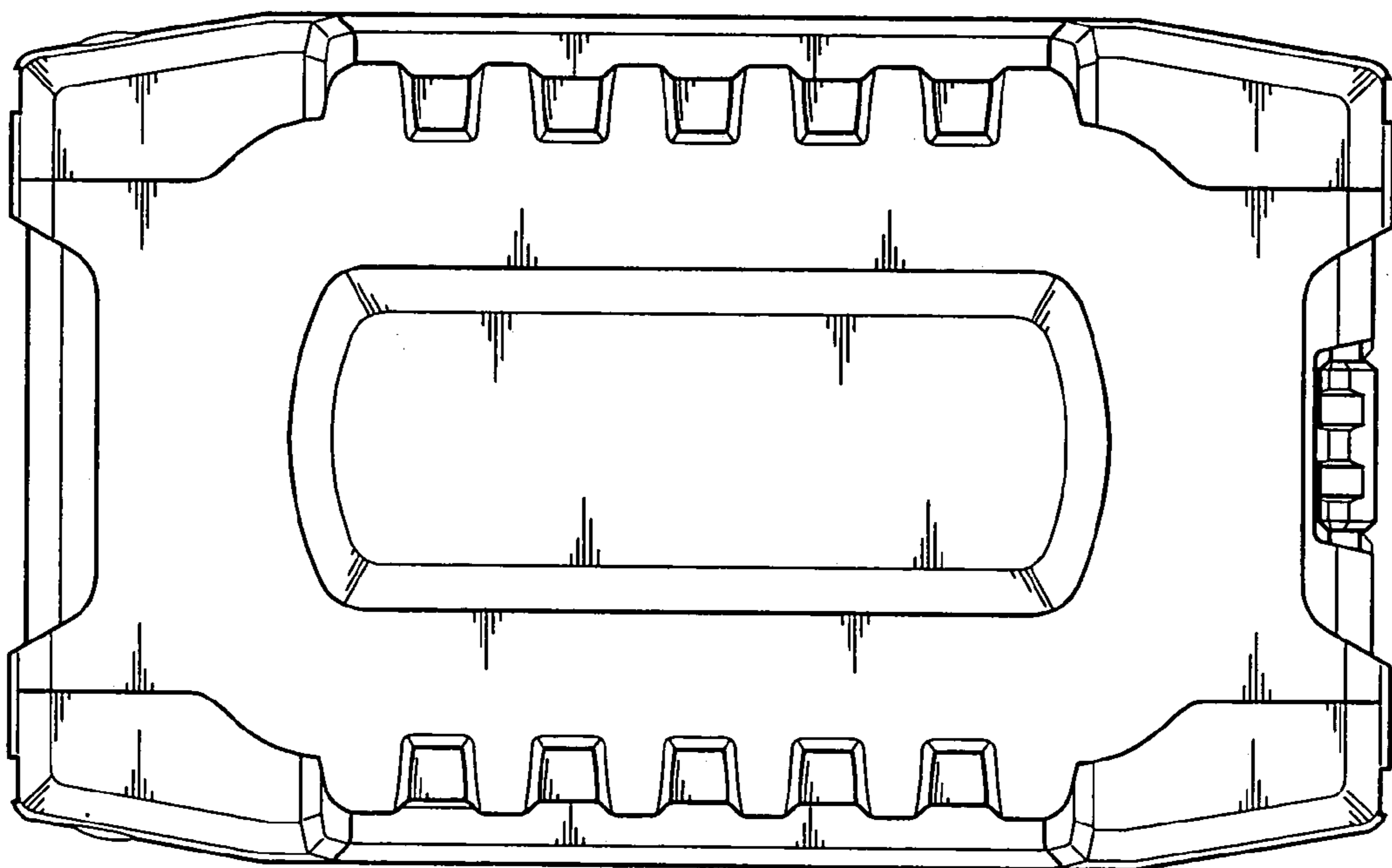


FIG. 3

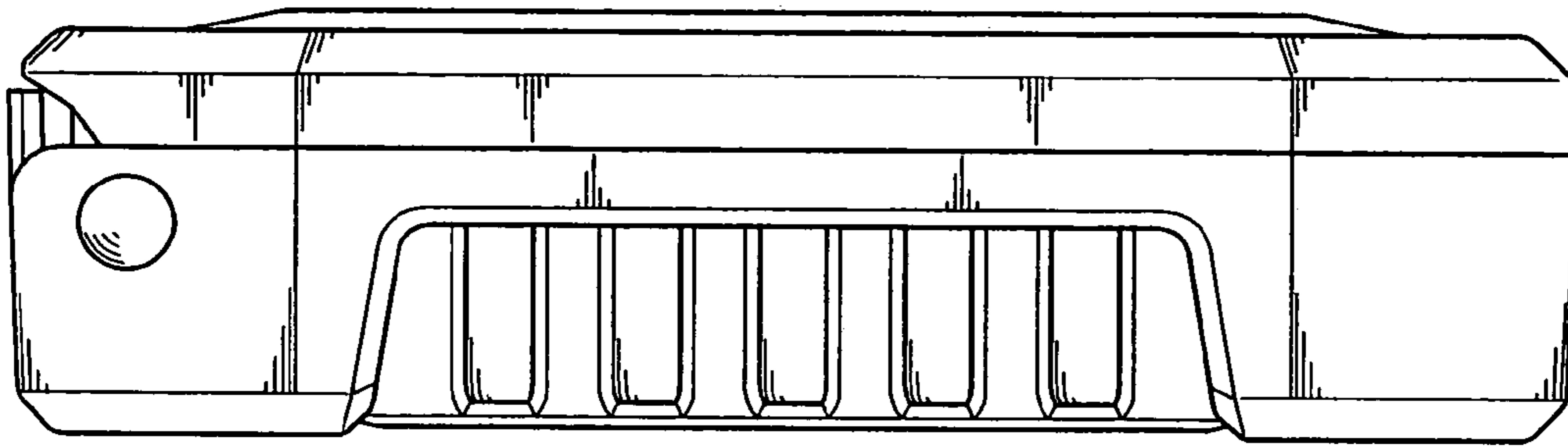


FIG. 4

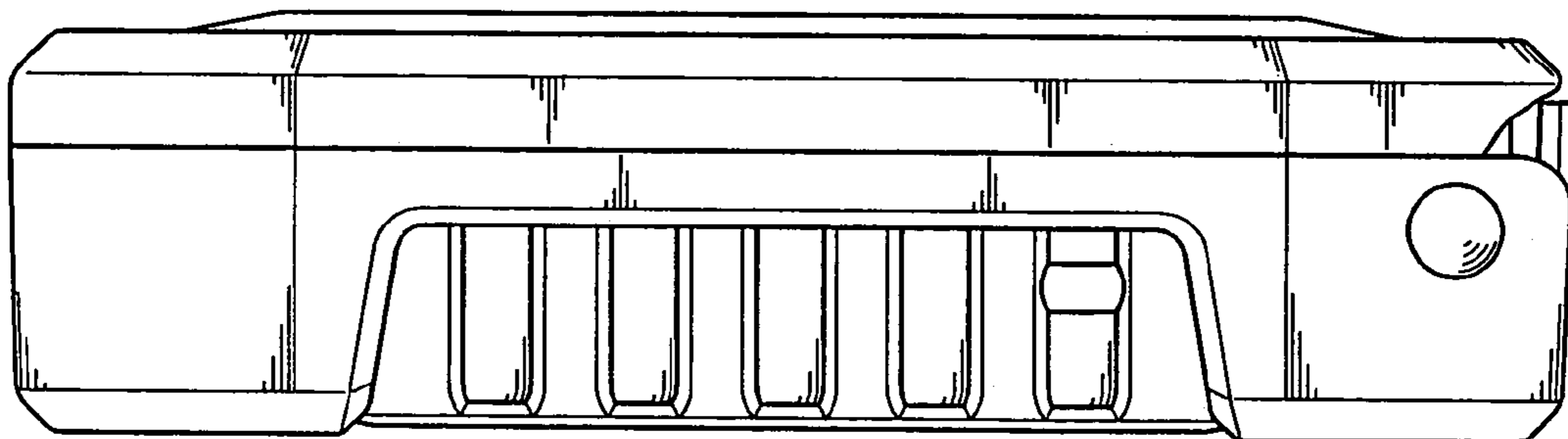


FIG. 5

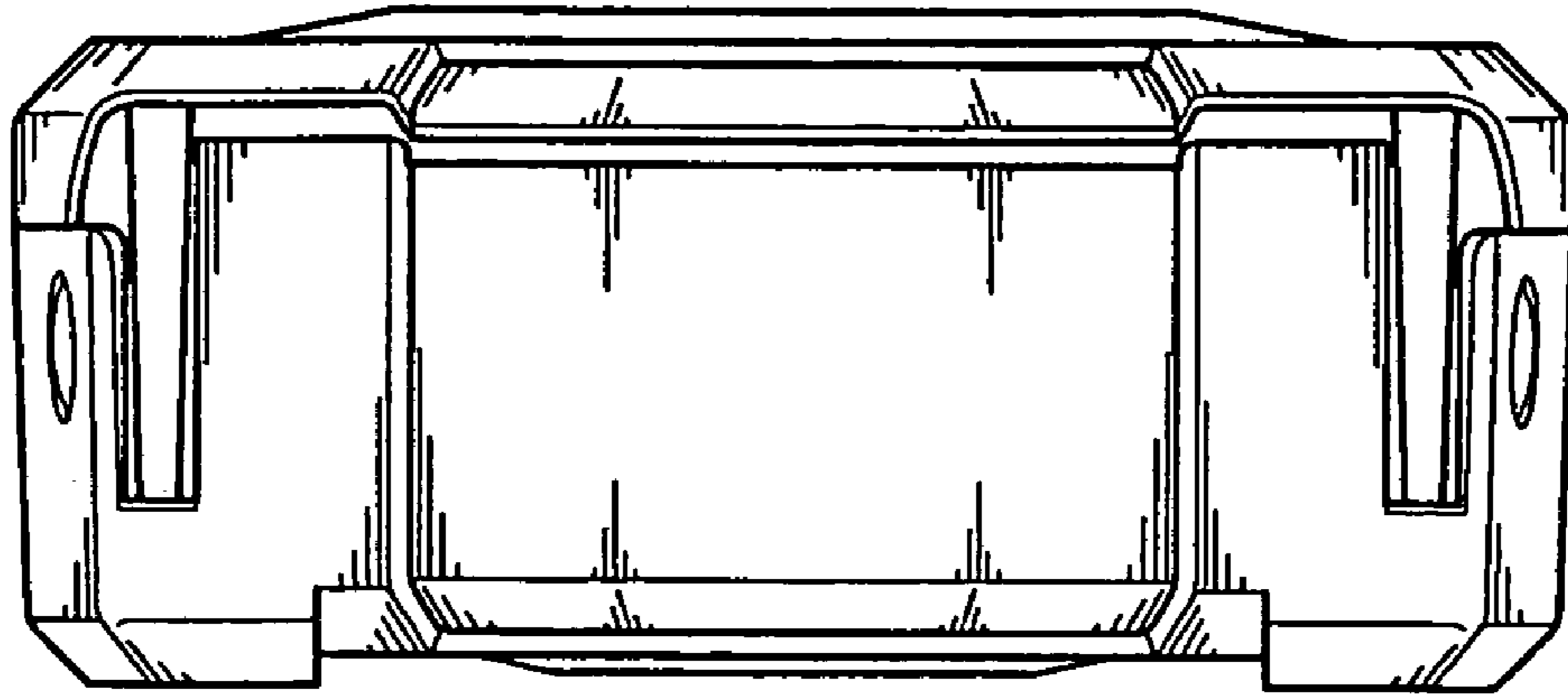


FIG. 6

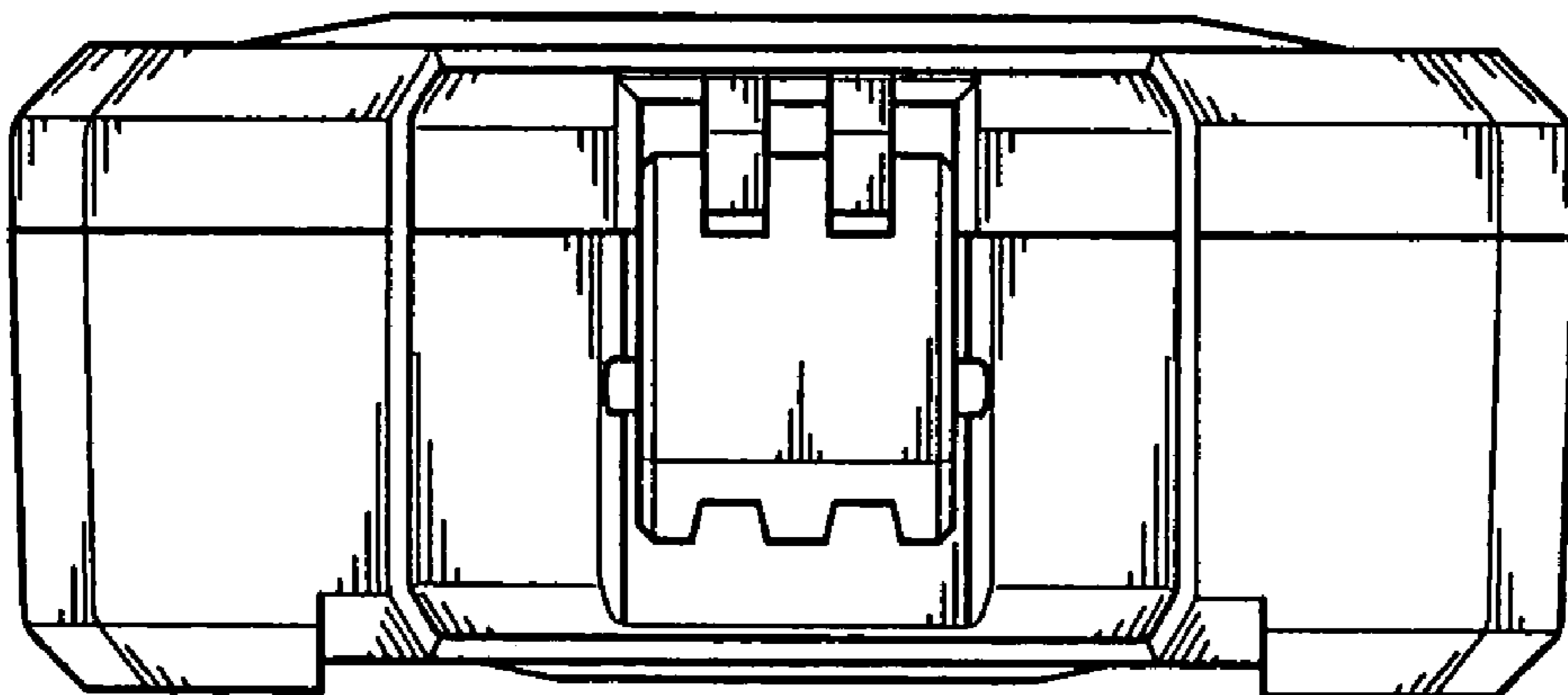


FIG. 7