



US00D552350S

(12) **United States Design Patent**  
**Bosley**

(10) **Patent No.:** **US D552,350 S**

(45) **Date of Patent:** **\*\* Oct. 9, 2007**

(54) **BOOK BAG**

(75) Inventor: **James Michael Bosley**, Edmond, OK  
(US)

(73) Assignee: **Beam's Industries, Inc.**, Oklahoma  
City, OK (US)

(\*\*) Term: **14 Years**

(21) Appl. No.: **29/259,079**

(22) Filed: **May 2, 2006**

(51) **LOC (8) Cl.** ..... **03-01**

(52) **U.S. Cl.** ..... **D3/290; D3/287; D3/443**

(58) **Field of Classification Search** ..... D3/233,  
D3/254, 267-268, 273-274, 276, 283, 287,  
D3/289-290, 293, 299, 900, 902; 190/100,  
190/102, 108-109, 111-115, 119, 900, 903;  
206/320, 316.1

See application file for complete search history.

(56) **References Cited**

**U.S. PATENT DOCUMENTS**

- D326,772 S \* 6/1992 Kennedy ..... D3/233
- D377,415 S \* 1/1997 Jacobs et al. .... D3/206
- D401,063 S \* 11/1998 Yamamoto et al. .... D3/287
- D429,885 S \* 8/2000 Hillman ..... D3/283
- D430,971 S 9/2000 Harvey et al.
- 6,206,567 B1 \* 3/2001 Cyr ..... 383/29
- D448,566 S \* 10/2001 Hassett et al. .... D3/303

- D469,605 S \* 2/2003 Vernon et al. .... D3/287
- D522,749 S \* 6/2006 Tortorella et al. .... D3/299
- 2004/0066366 A1 \* 4/2004 Jung et al. .... 345/156

\* cited by examiner

*Primary Examiner*—Philip S. Hyder

*Assistant Examiner*—RoseLynne (Ulm) Cody

(74) *Attorney, Agent, or Firm*—Dunlap, Coddling & Rogers,  
P.C.

(57) **CLAIM**

The ornamental design for a book bag, as shown and described.

**DESCRIPTION**

FIG. 1 is a perspective view of a book bag of the present invention;

FIG. 2 is a front elevational view thereof;

FIG. 3 is a rear elevational view thereof;

FIG. 4 is a side elevational view thereof;

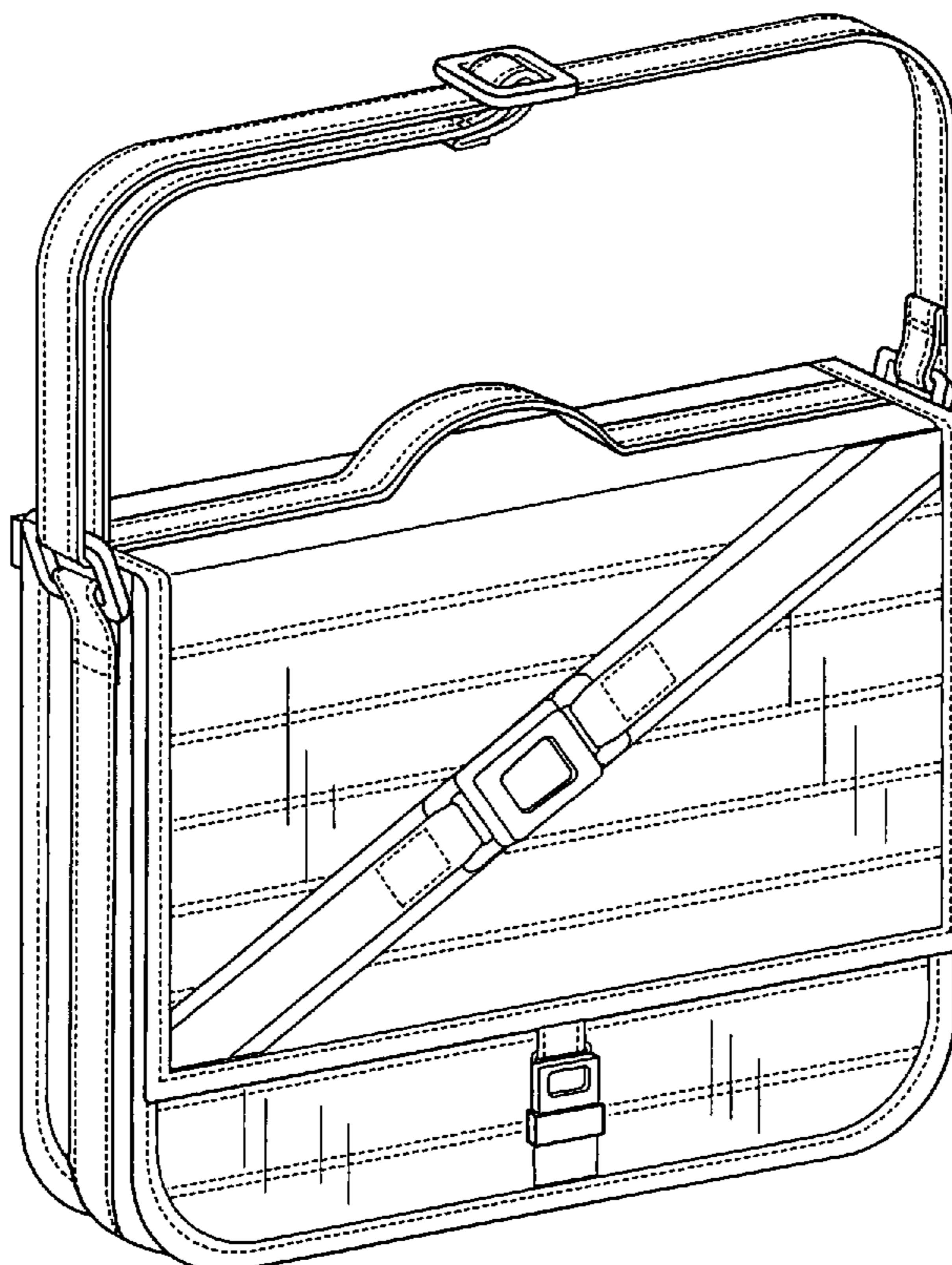
FIG. 5 is a side elevational view thereof opposite that shown in FIG. 4;

FIG. 6 is a top plan view thereof; and,

FIG. 7 is a bottom plan view thereof.

The broken lines in all views indicate stitching and form part of the claimed design.

**1 Claim, 4 Drawing Sheets**



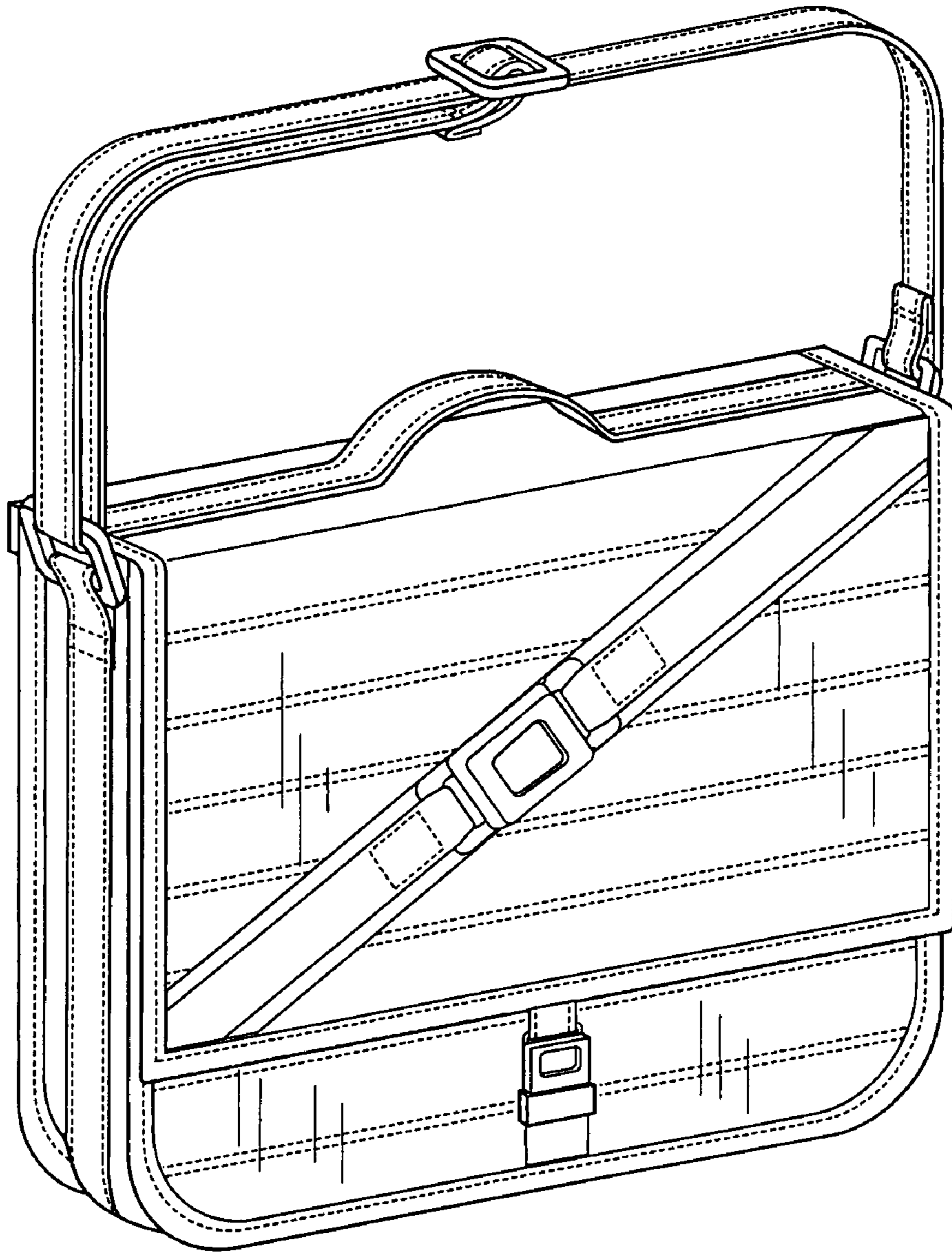


Fig. 1

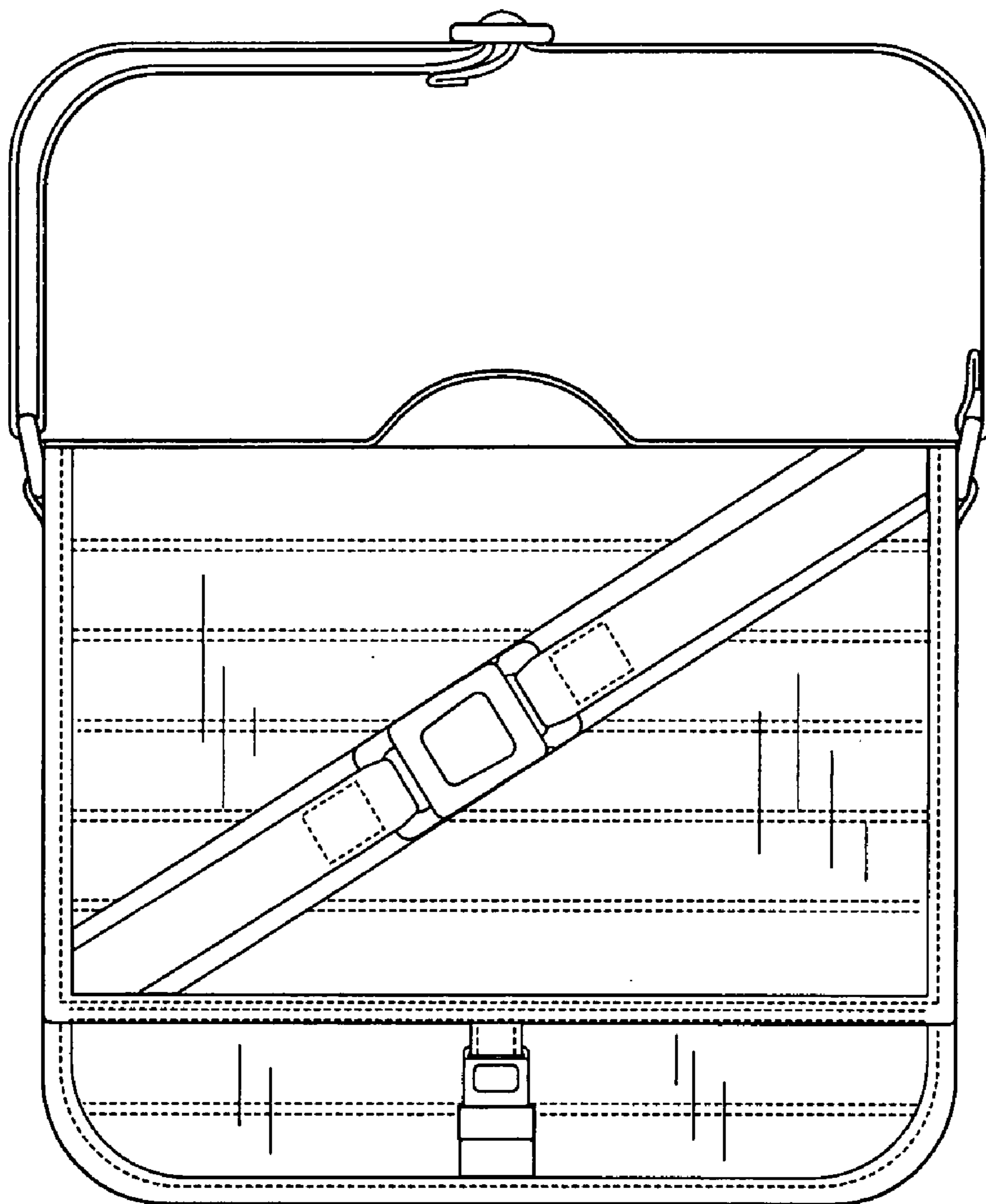
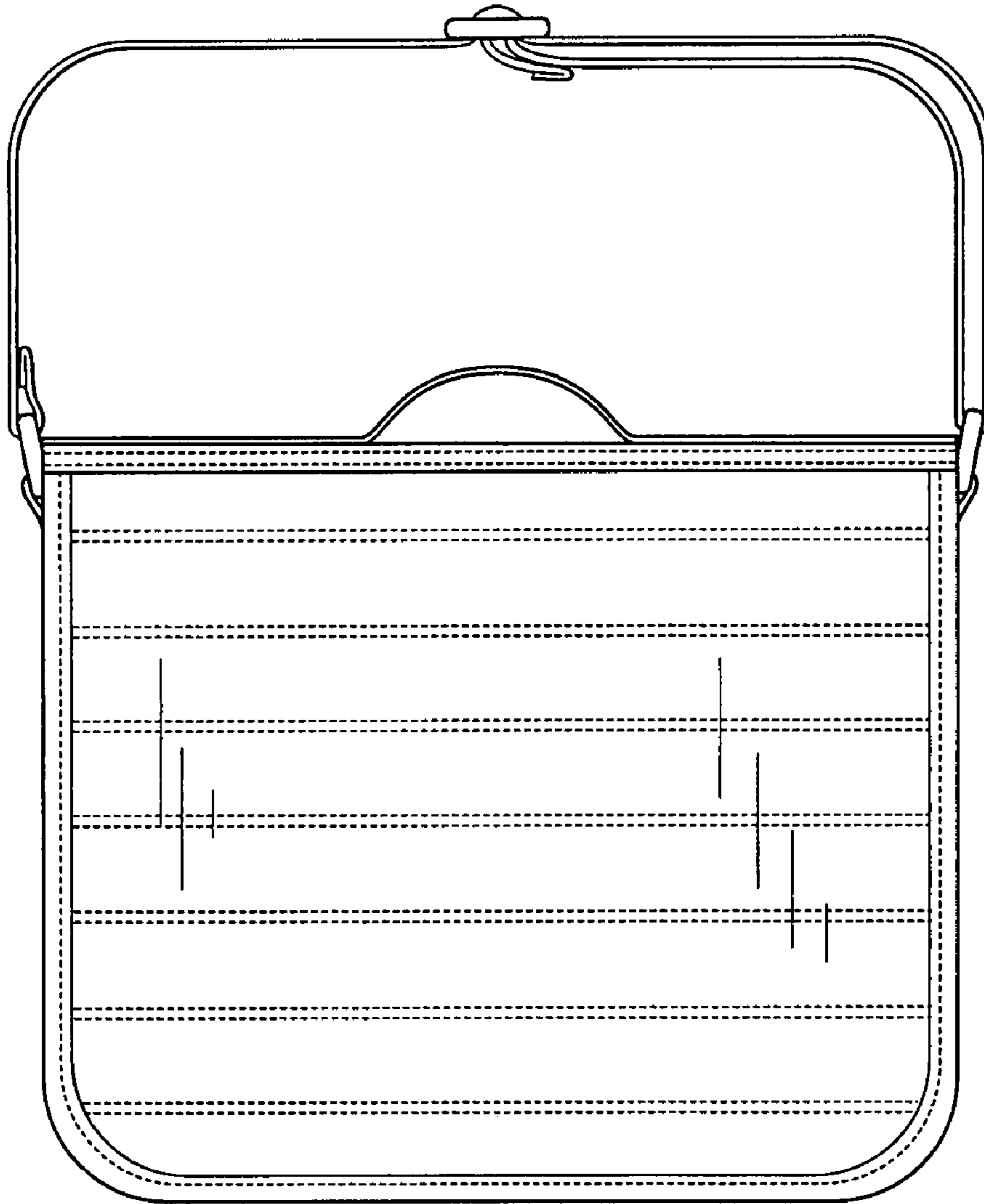


Fig. 2



*Fig. 3*

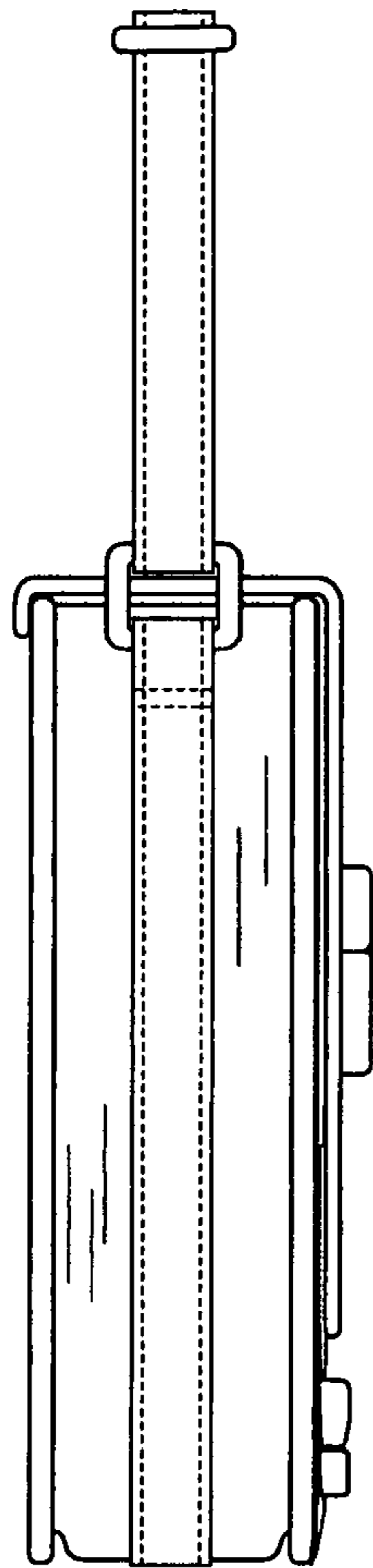


Fig. 4

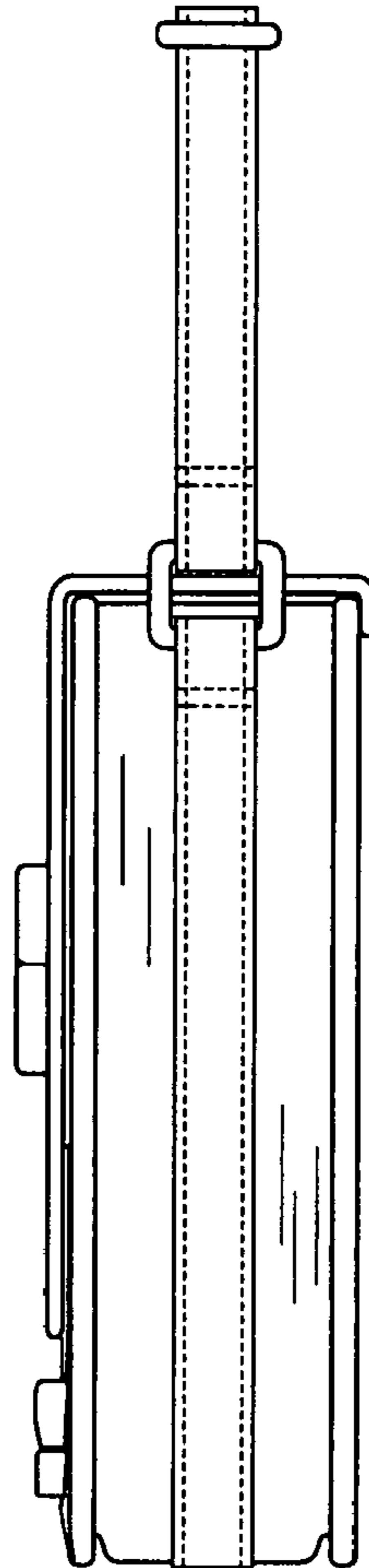


Fig. 5

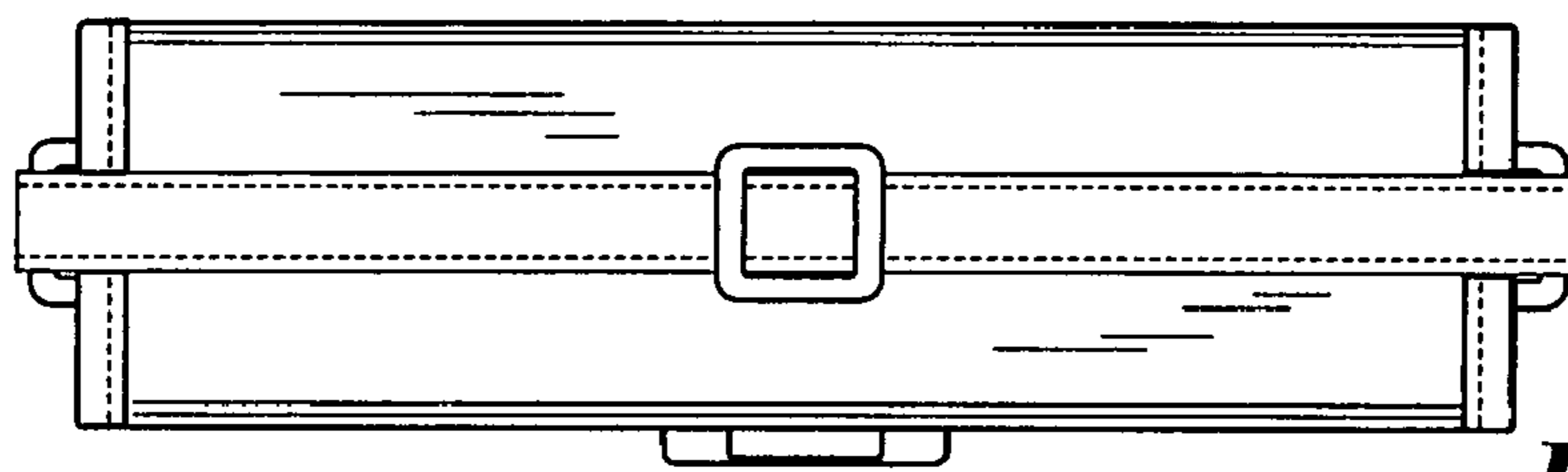


Fig. 6

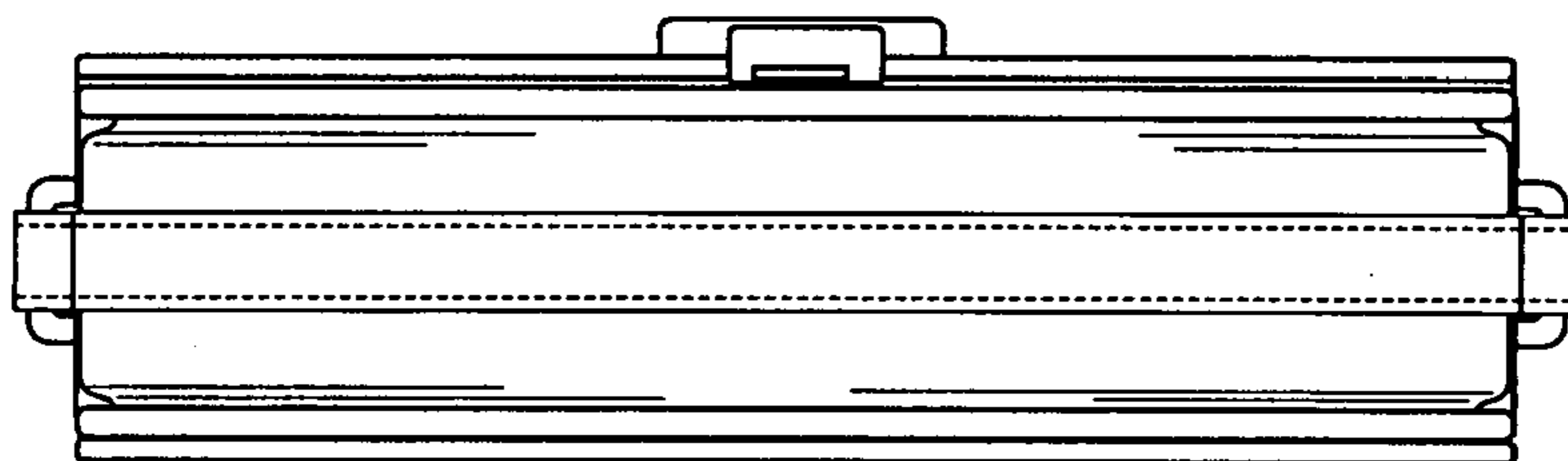


Fig. 7