



US00D552349S

(12) **United States Design Patent**  
**Greiner**

(10) **Patent No.:** **US D552,349 S**

(45) **Date of Patent:** **\*\* Oct. 9, 2007**

(54) **TRAVEL ORGANIZER**

(76) Inventor: **Lori Greiner**, 1301 Dearborn Pkwy.,  
Suite 402, Chicago, IL (US) 60610

(\*\*) Term: **14 Years**

(21) Appl. No.: **29/259,804**

(22) Filed: **May 16, 2006**

6,000,509	A	12/1999	Chisholm	
D419,299	S *	1/2000	Bauer	D3/279
D431,906	S *	10/2000	Livingston	D3/279
6,196,718	B1 *	3/2001	DeChant	190/109
6,296,094	B1	10/2001	Knecht	
6,334,519	B1	1/2002	Tong	
D455,262	S *	4/2002	Krulik	D3/279
6,481,574	B1 *	11/2002	Pakosh	190/111
D481,204	S *	10/2003	Rada	D3/279
6,883,654	B2	4/2005	Godshaw	
2004/0007433	A1	1/2004	Godshaw	

**Related U.S. Application Data**

(63) Continuation-in-part of application No. 11/216,998,  
filed on Aug. 31, 2005.

(51) **LOC (8) Cl.** ..... **03-01**

(52) **U.S. Cl.** ..... **D3/279; D3/278**

(58) **Field of Classification Search** ..... D3/273,  
D3/276, 278, 279, 284, 285, 299, 303; 190/110,  
190/109, 111, 112, 100; 383/110; 150/117  
See application file for complete search history.

(56) **References Cited**

**U.S. PATENT DOCUMENTS**

3,512,621	A *	5/1970	Teetor	206/287
4,736,839	A *	4/1988	King	206/287.1
5,117,974	A *	6/1992	Bieber	206/278
D361,662	S *	8/1995	King et al.	D3/276
D362,548	S *	9/1995	King et al.	D3/301
5,575,362	A	11/1996	Franklin et al.	
D395,361	S *	6/1998	Zionts et al.	D3/279
D414,933	S *	10/1999	Yu	D3/282
5,967,270	A	10/1999	Shyr	

\* cited by examiner

*Primary Examiner*—Philip Hyder

(74) *Attorney, Agent, or Firm*—Fredrikson & Byron, P.A.

(57) **CLAIM**

I claim the ornamental design for a travel organizer, as shown and described.

**DESCRIPTION**

FIG. 1 is a perspective view of my new design for a travel organizer;

FIG. 2 is a front elevation view thereof;

FIG. 3 is a rear elevation view thereof;

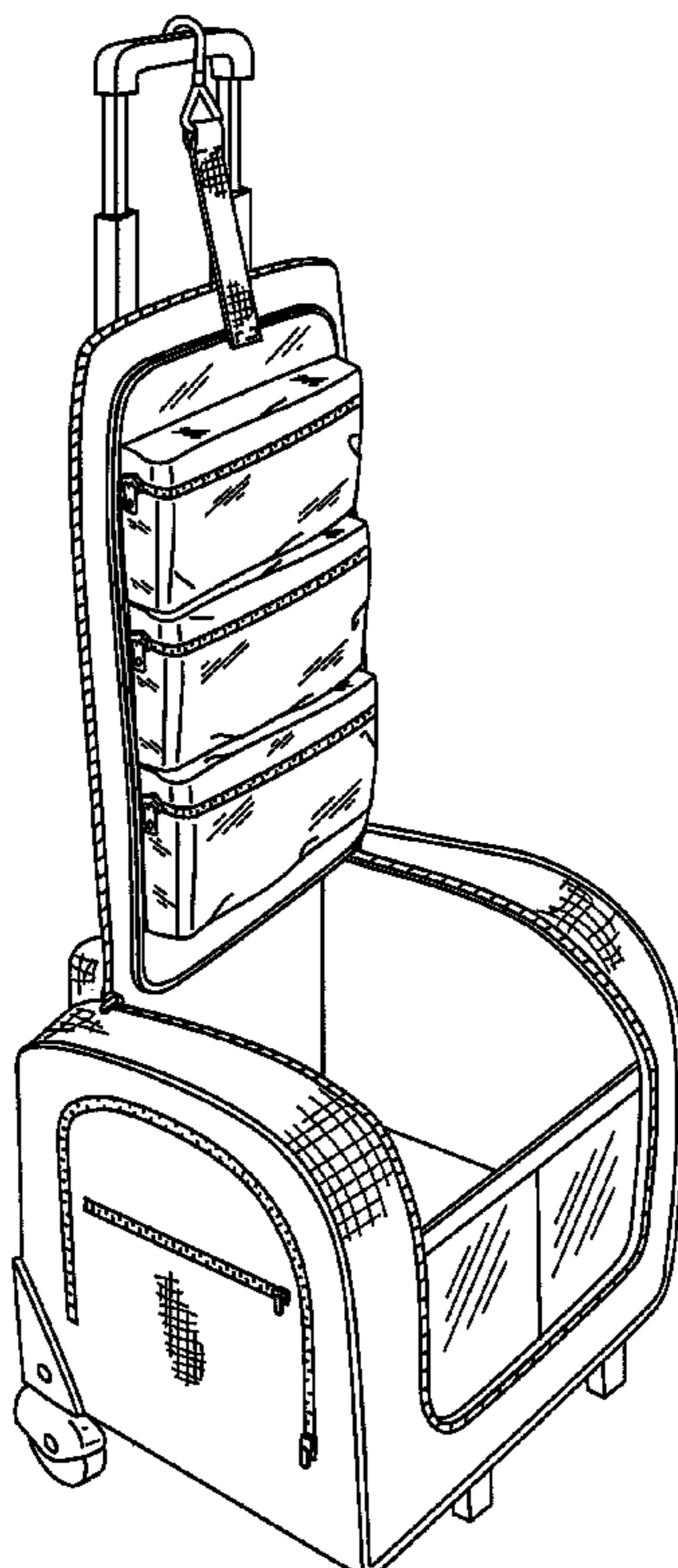
FIG. 4 is a left side elevation view thereof;

FIG. 5 is a right side elevation view thereof;

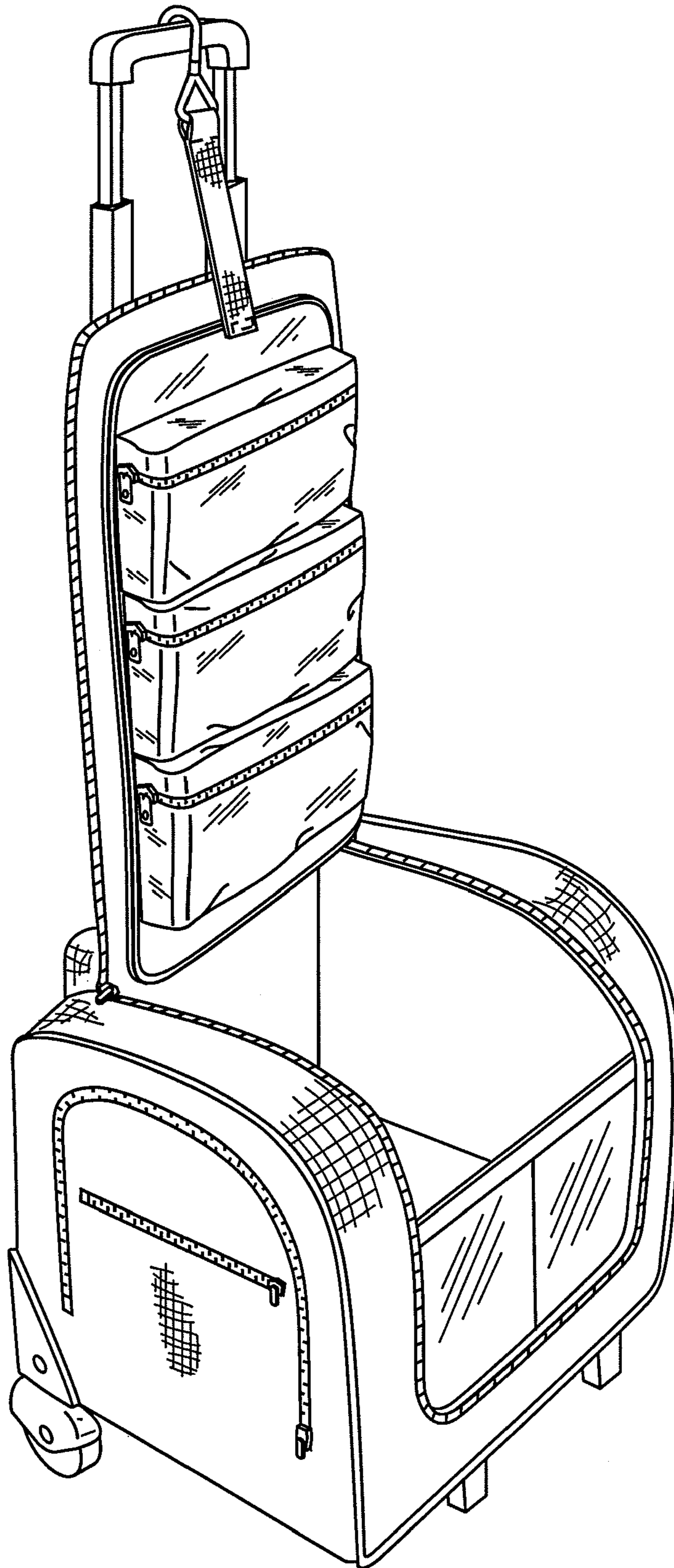
FIG. 6 is a top plan view thereof; and,

FIG. 7 is a bottom plan view thereof.

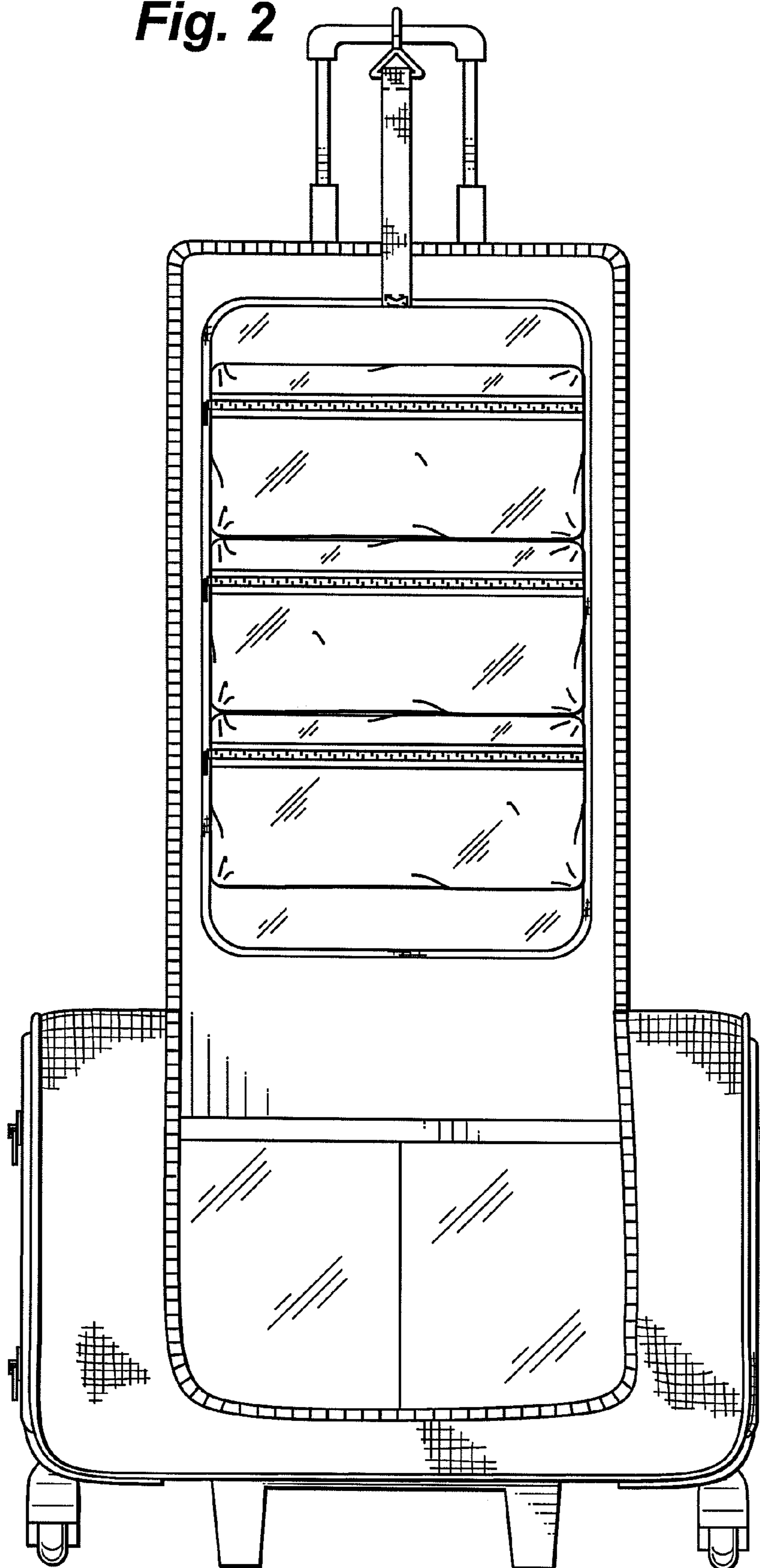
**1 Claim, 6 Drawing Sheets**



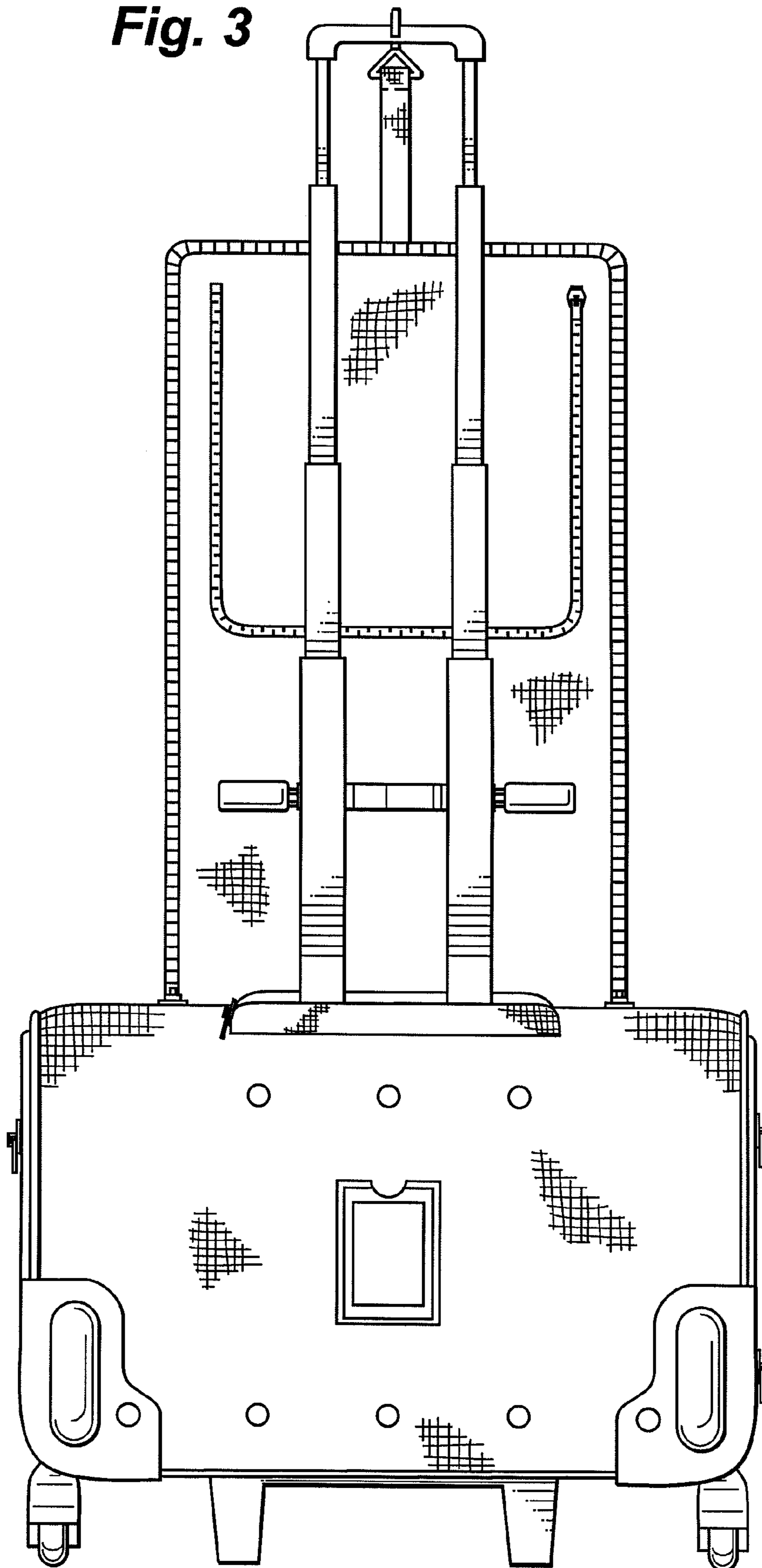
**Fig. 1**



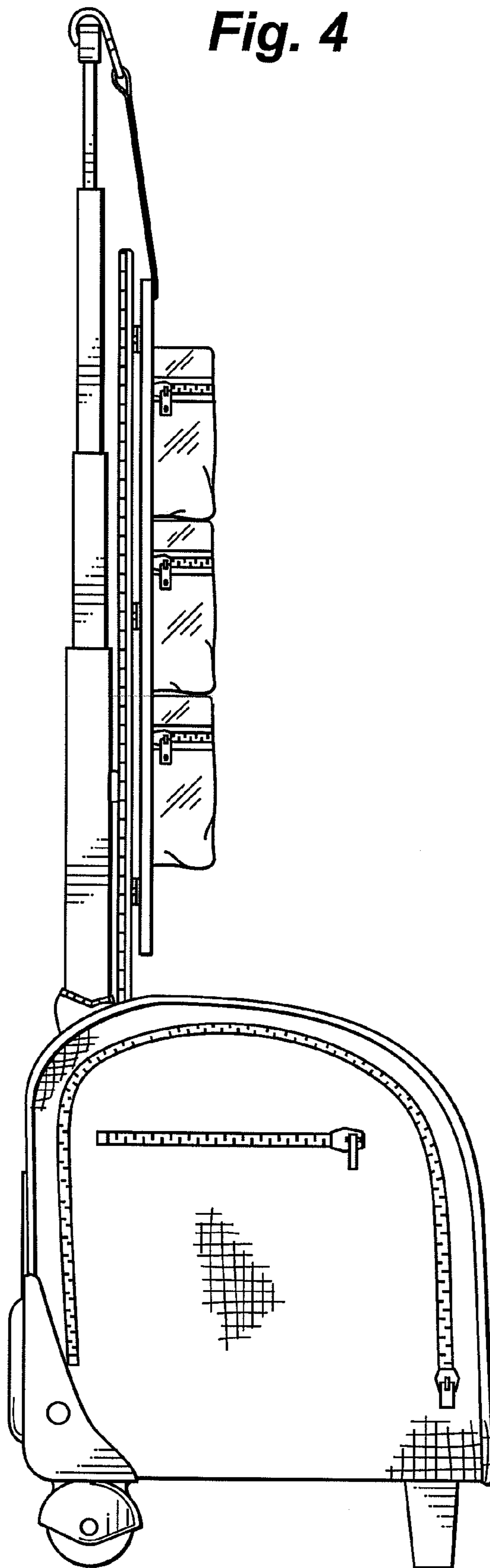
**Fig. 2**



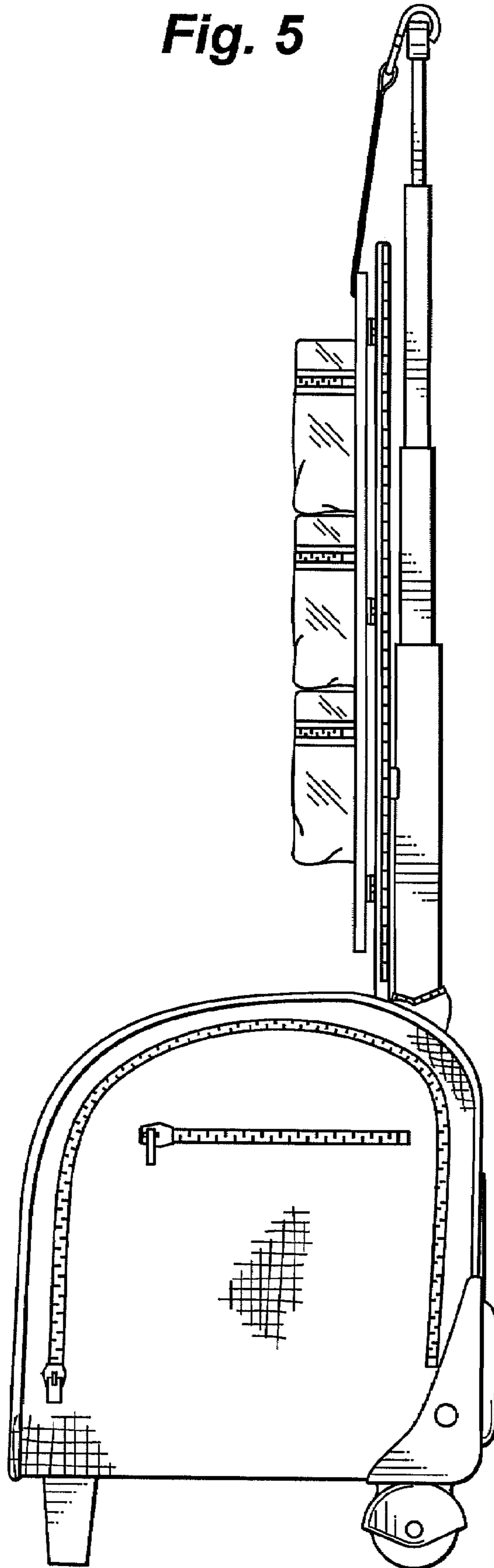
**Fig. 3**



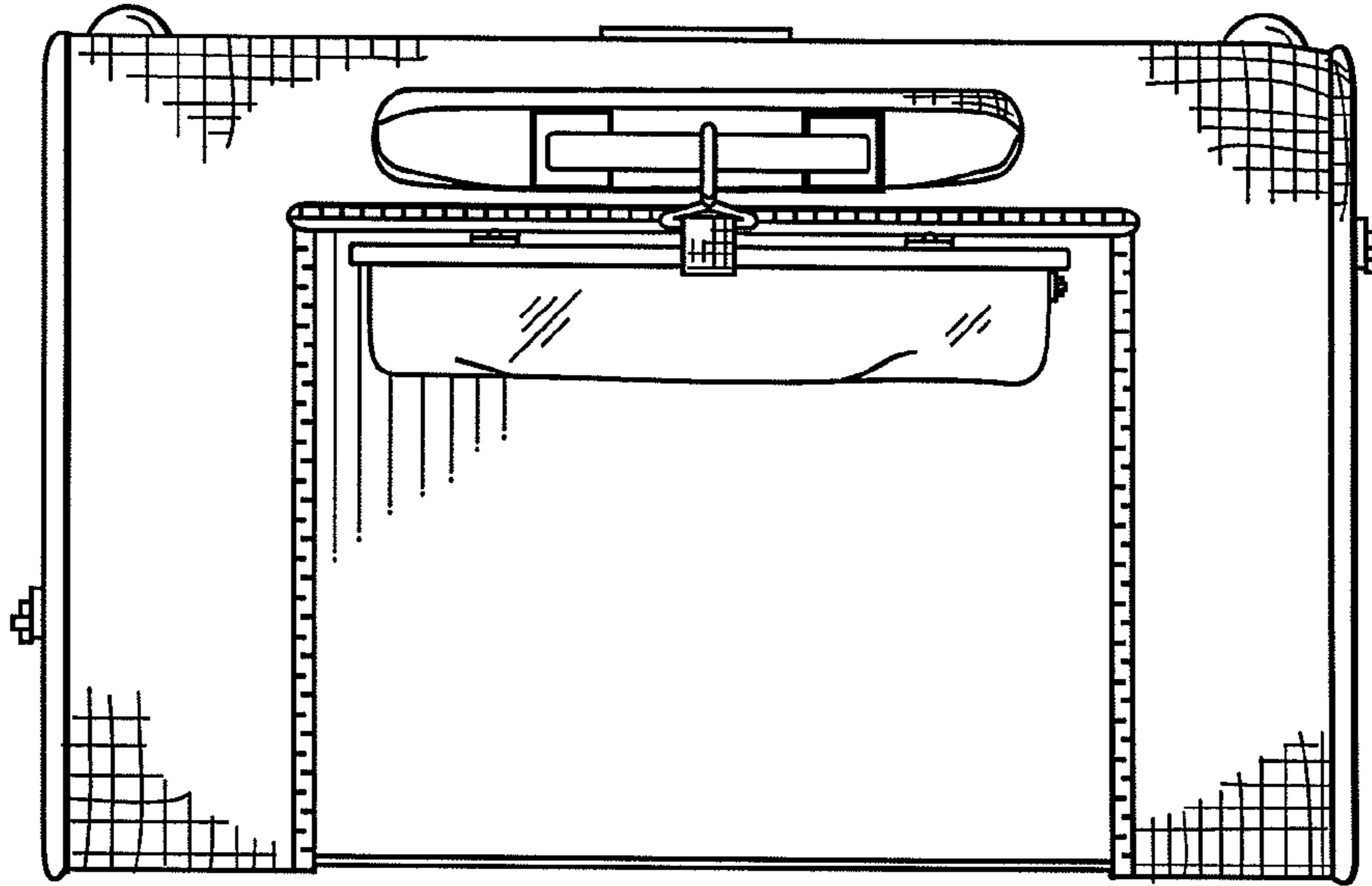
**Fig. 4**



**Fig. 5**



**Fig. 6**



**Fig. 7**

