



US00D552348S

(12) **United States Design Patent**  
**Martin**

(10) **Patent No.:** **US D552,348 S**

(45) **Date of Patent:** **\*\* Oct. 9, 2007**

(54) **PORTABLE EYEGLASS CASE**

(76) Inventor: **Geraldine Chandra Martin**, 300  
Randolph Ave., Milton, MA (US) 02186

(\*\*) Term: **14 Years**

(21) Appl. No.: **29/255,096**

(22) Filed: **Mar. 3, 2006**

(51) **LOC (8) Cl.** ..... **03-01**

(52) **U.S. Cl.** ..... **D3/265; D3/289; D3/295**

(58) **Field of Classification Search** ..... D3/11,  
D3/201, 219, 225, 227-228, 230, 243, 245,  
D3/247, 249, 252, 263, 265-266, 273-274,  
D3/289, 294-295, 303-304, 313, 901, 903;  
D9/414, 420, 422-424, 426; 211/85.1; D19/26-32,  
D19/86; 281/29, 38, 27.3; 402/3, 4, 19,  
402/31; 206/6; 224/6

See application file for complete search history.

(56) **References Cited**

**U.S. PATENT DOCUMENTS**

D106,570 S *	10/1937	Lewis	.....	D3/239
2,167,926 A *	8/1939	Glasker	.....	206/581
2,804,969 A *	9/1957	Barnett	.....	206/229
4,429,793 A *	2/1984	Ehmann	.....	206/570
D352,604 S *	11/1994	Johnson	.....	D3/303
D359,163 S *	6/1995	Summerfield et al.	.....	D3/205
D383,492 S *	9/1997	Siemon et al.	.....	D19/26
D389,647 S *	1/1998	White	.....	D3/301
D391,605 S *	3/1998	Wyant	.....	D19/27
D393,947 S *	5/1998	Alves et al.	.....	D3/303
D407,432 S *	3/1999	Tell	.....	D19/26
D431,353 S *	10/2000	Mellin	.....	D3/203.1
D434,803 S *	12/2000	Eskandry	.....	D19/78

6,264,029 B1 *	7/2001	Motson	.....	206/320
D452,612 S *	1/2002	Alexandroff	.....	D3/265
D497,051 S *	10/2004	Nieves	.....	D3/301

\* cited by examiner

*Primary Examiner*—Carol Rademaker

*Assistant Examiner*—Anna J Burmeister

(74) *Attorney, Agent, or Firm*—Goodwin Procter LLP

(57) **CLAIM**

The ornamental design for a portable eyeglass case, as shown and described.

**DESCRIPTION**

FIG. 1 is a top, front, left side perspective view of the portable eyeglass case showing my new design;

FIG. 2 is a top plan view thereof;

FIG. 3 is a bottom plan view thereof;

FIG. 4 is a front elevational view thereof;

FIG. 5 is a rear elevational view thereof;

FIG. 6 is a left side elevational view thereof;

FIG. 7 is a right side elevational view thereof;

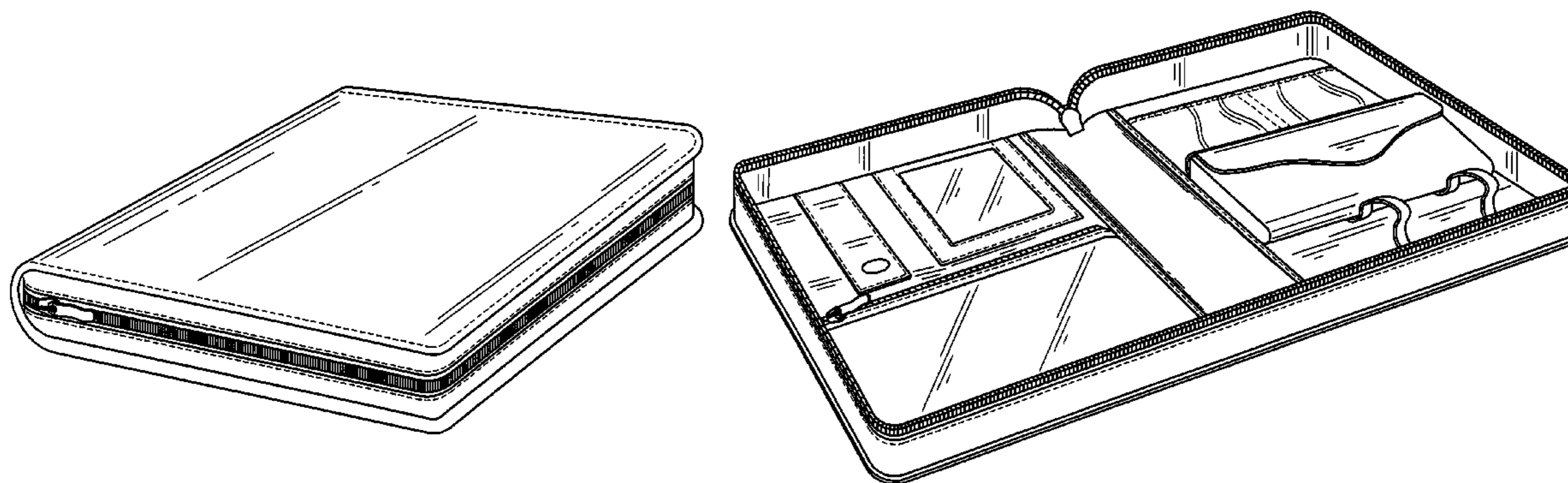
FIG. 8 is a top plan view thereof, shown in opened condition to show the interior features;

FIG. 9 is a top, front, left side perspective view thereof; and,

FIG. 10 is a top, front, left side perspective view thereof, with some of the interior features shown in an unfastened condition.

The dash-dash-dash broken lines shown in the drawings represent stitching lines.

**1 Claim, 8 Drawing Sheets**



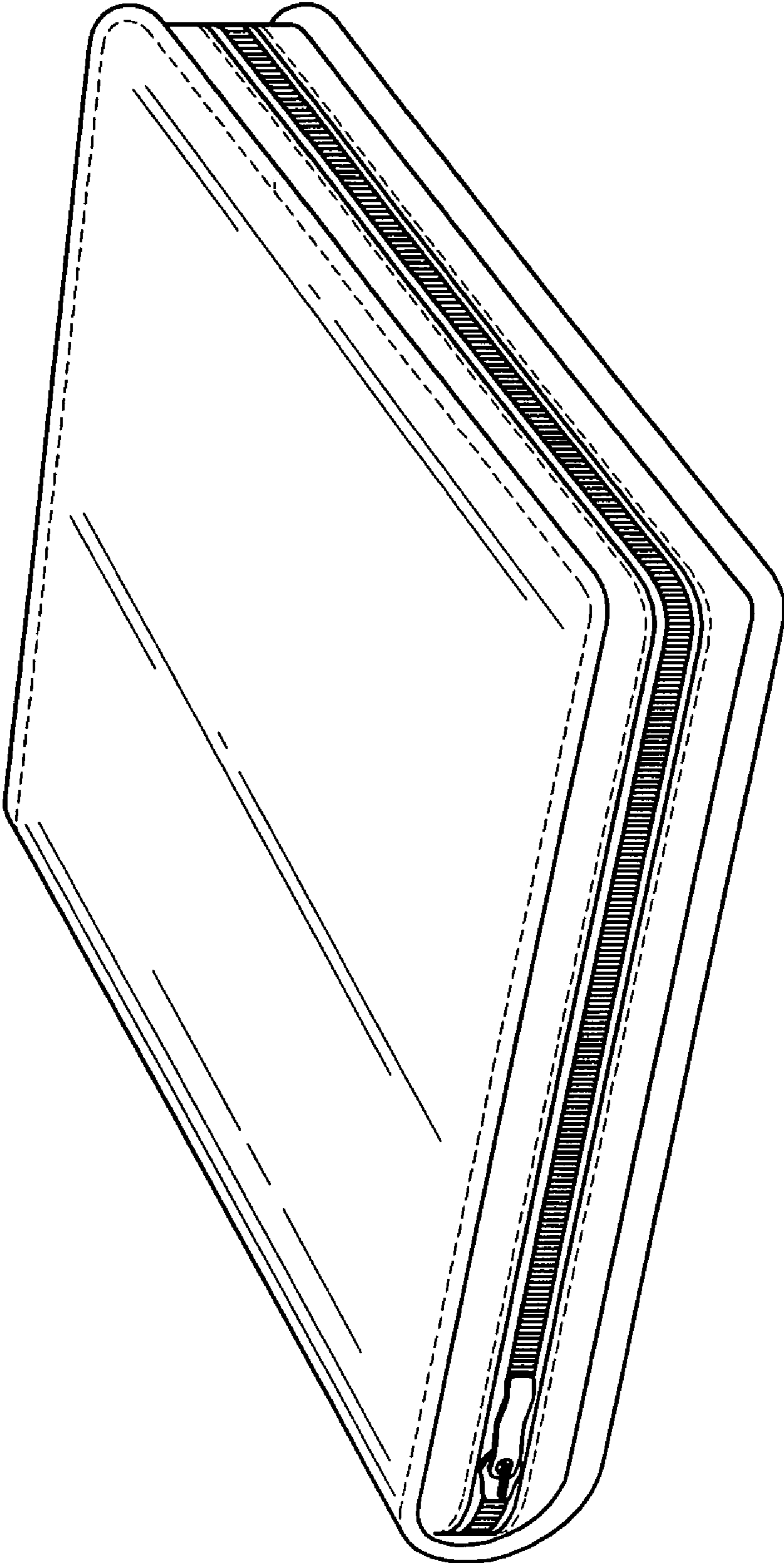


FIG. 1

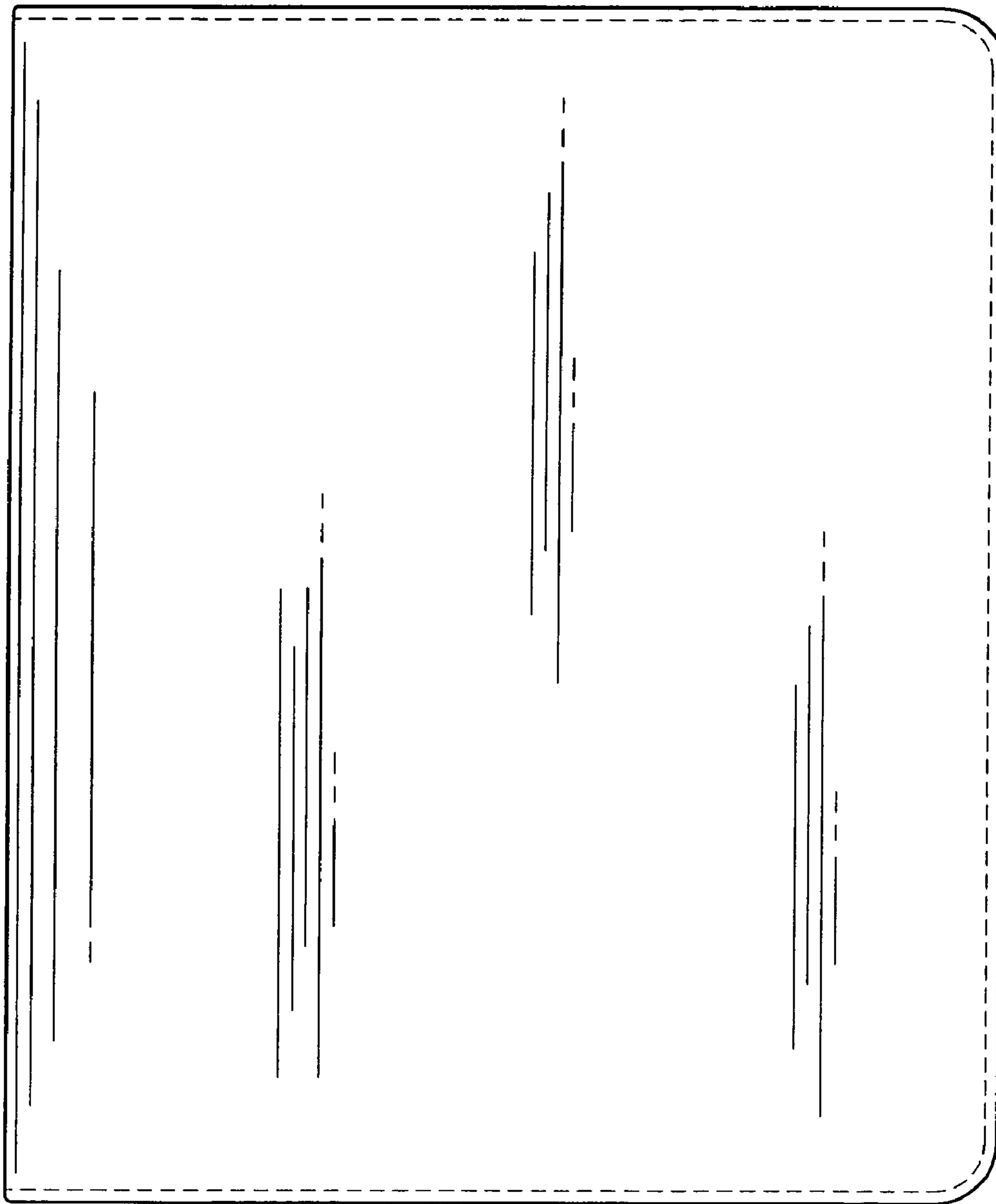


FIG. 2

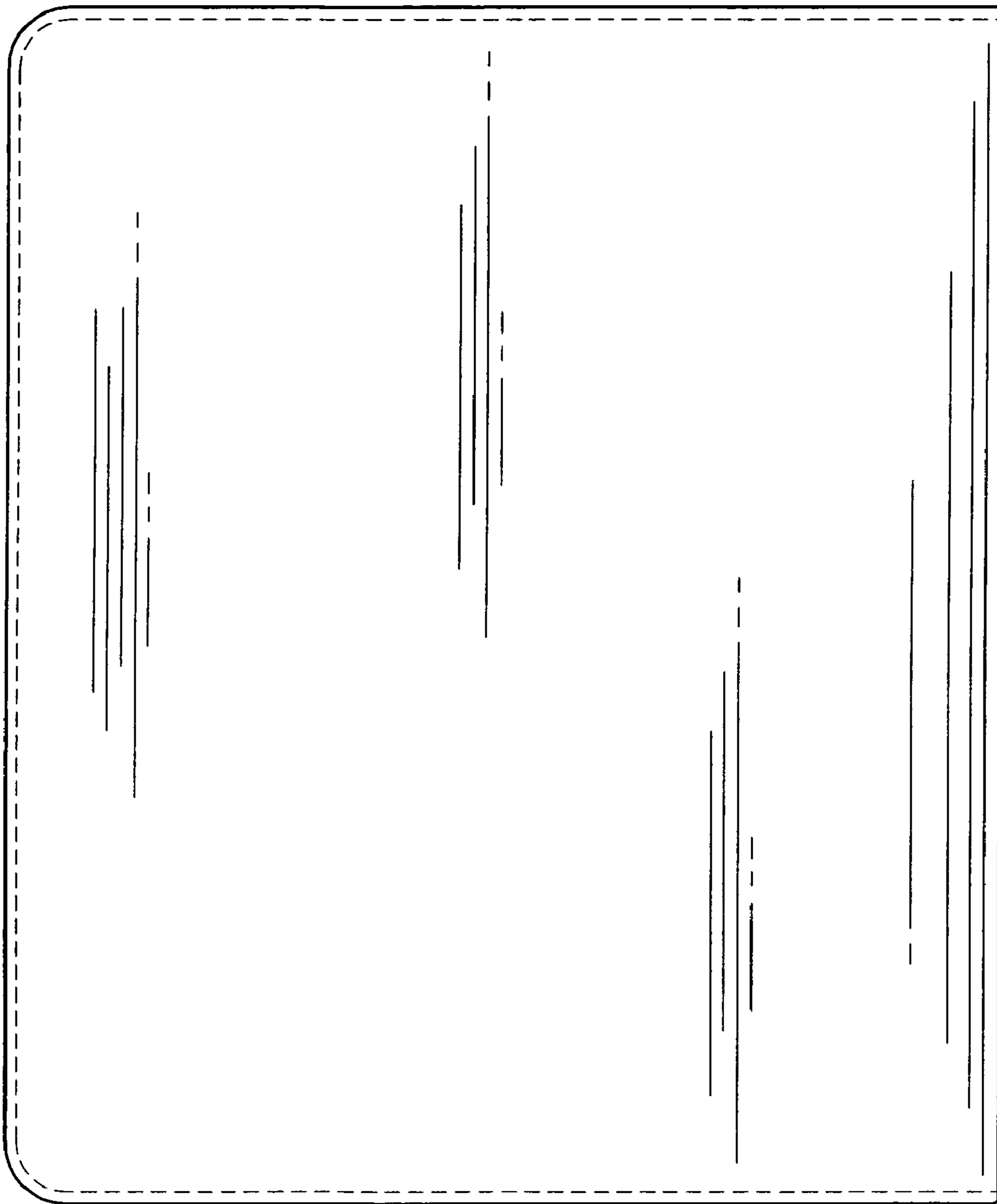
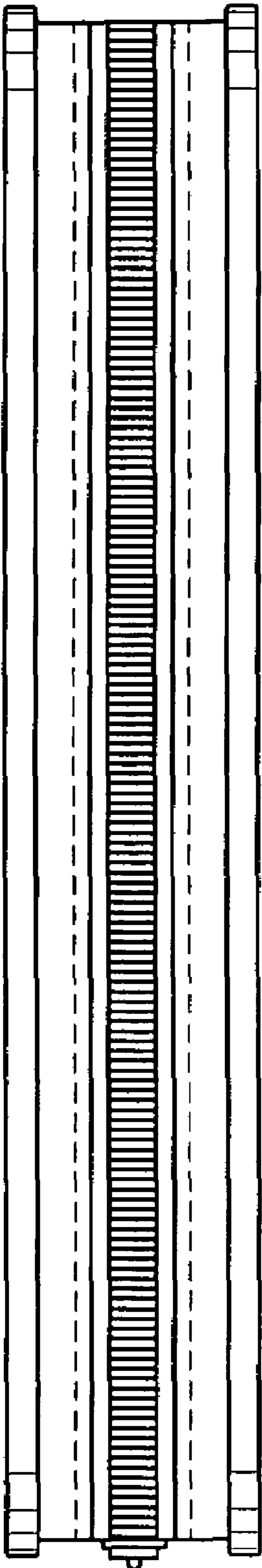
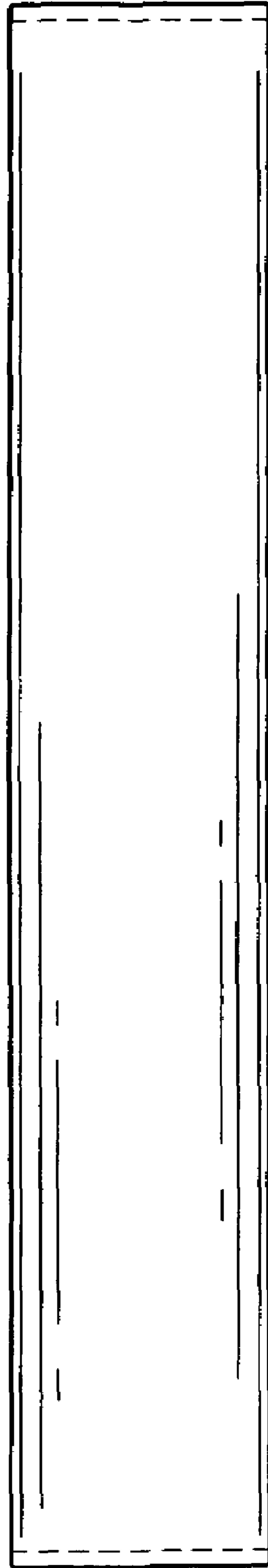


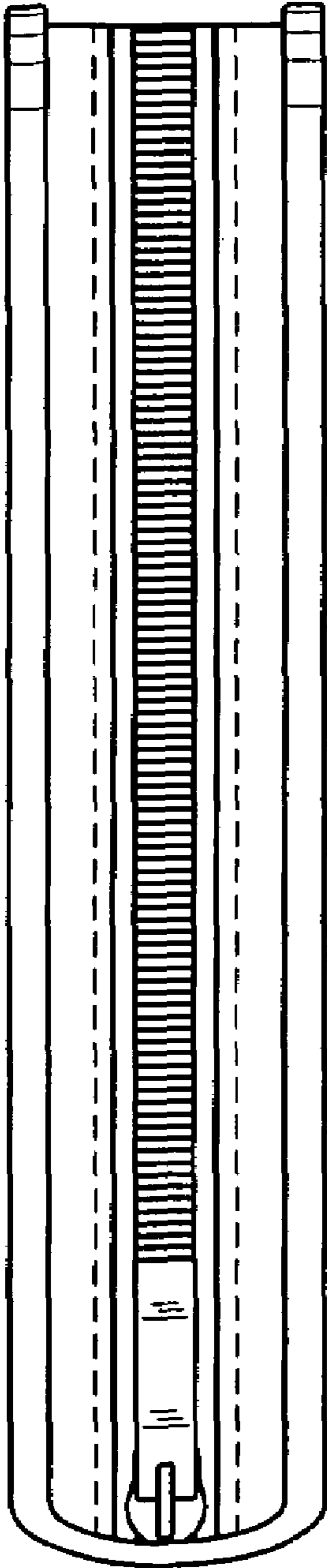
FIG. 3



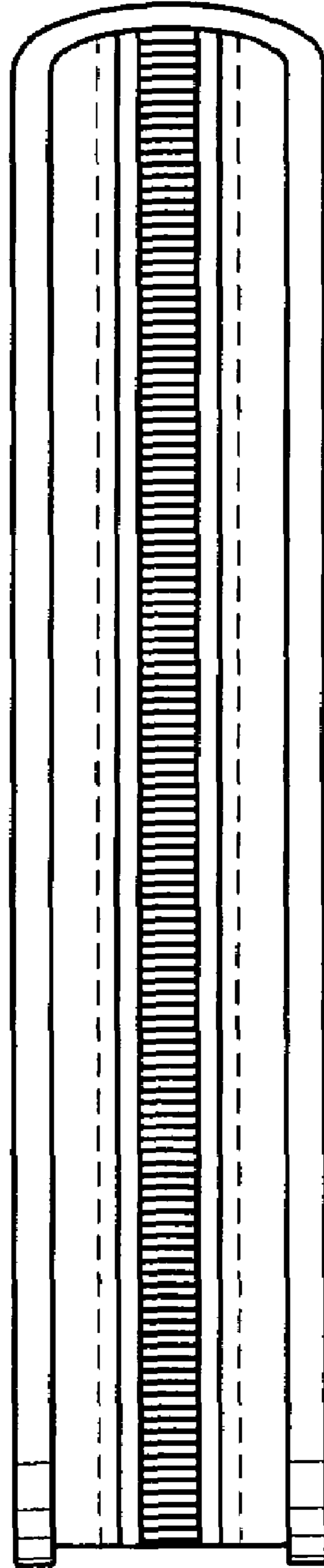
*FIG. 4*



*FIG. 5*



*FIG. 6*



*FIG. 7*



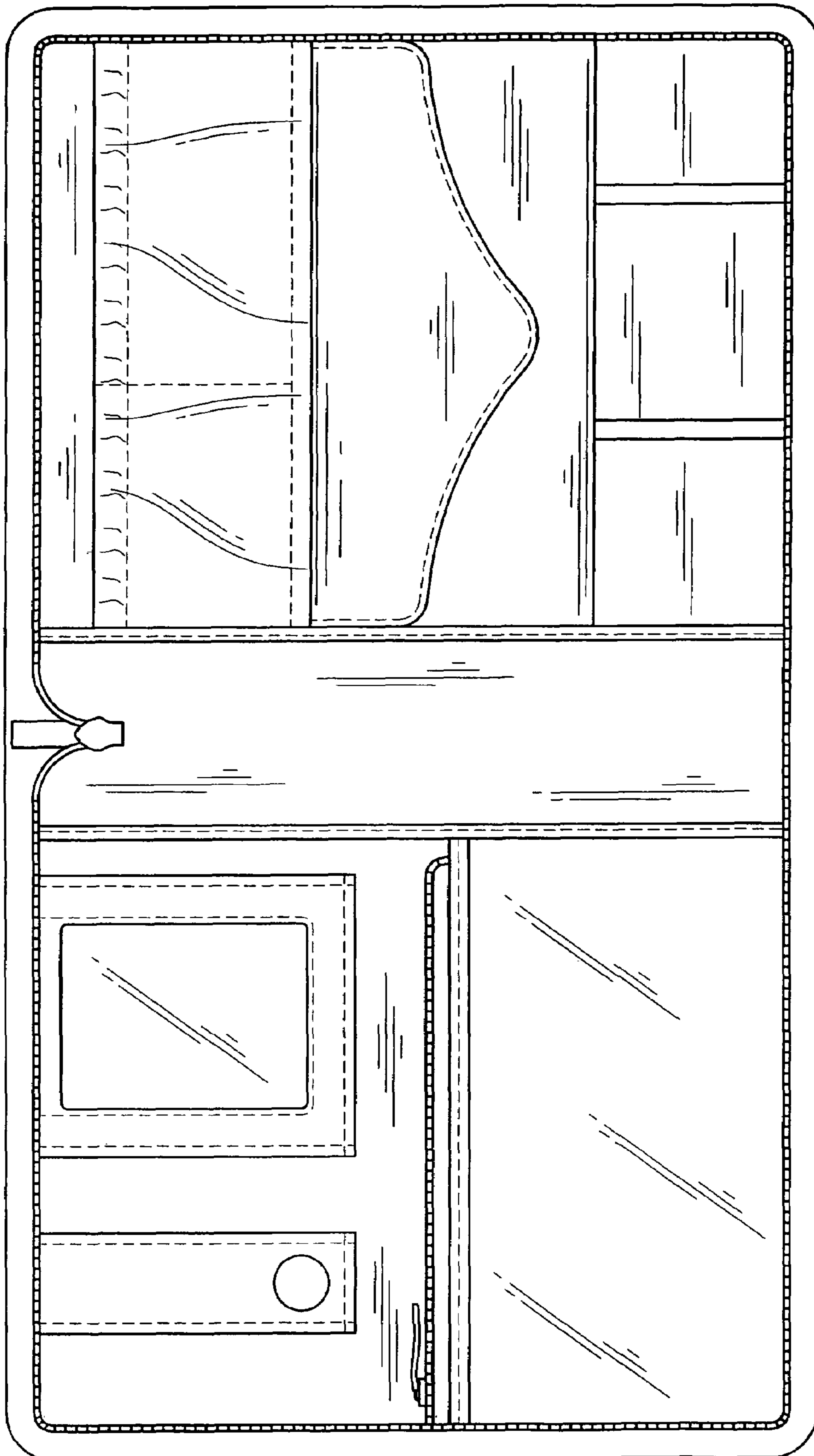


FIG. 8

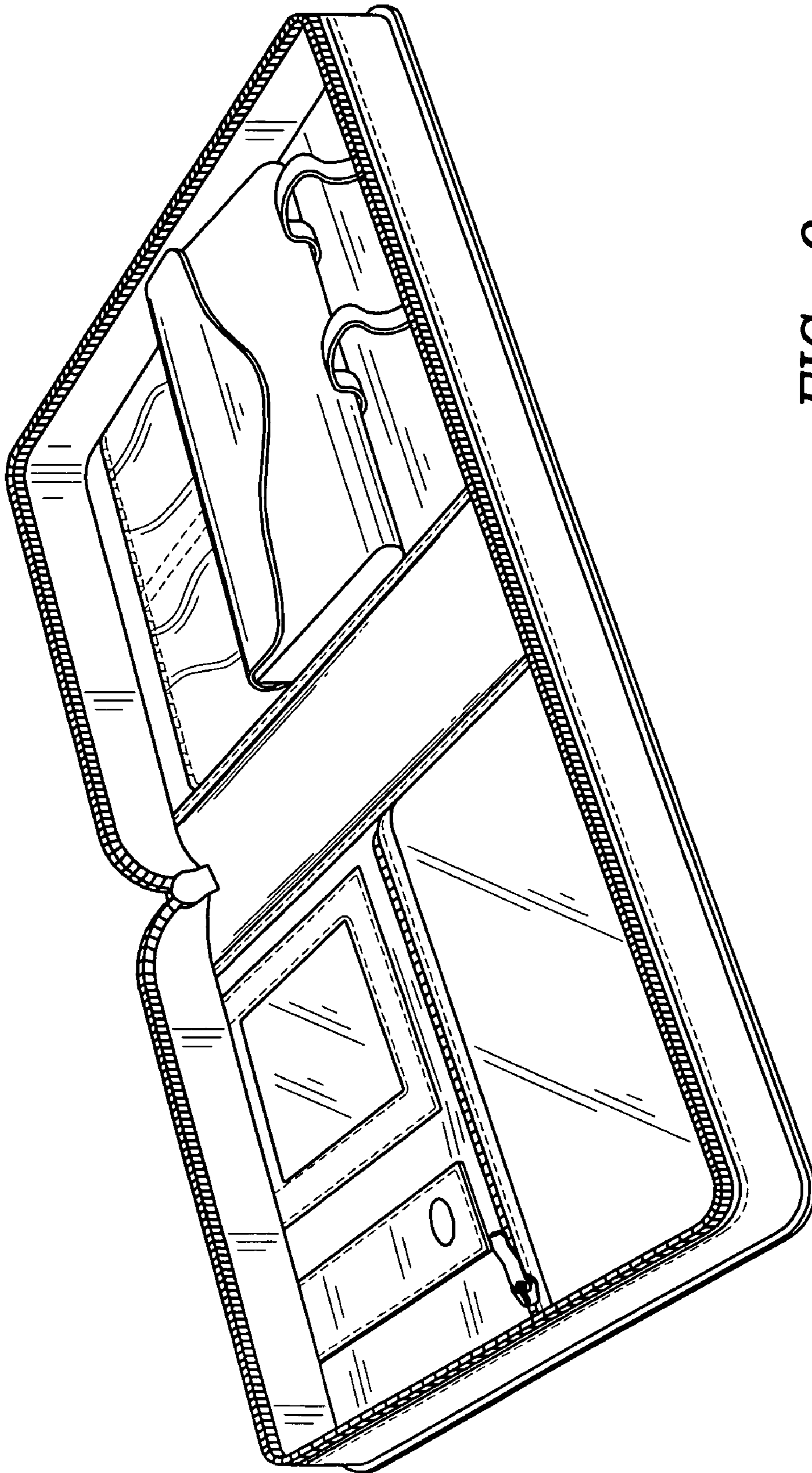


FIG. 9



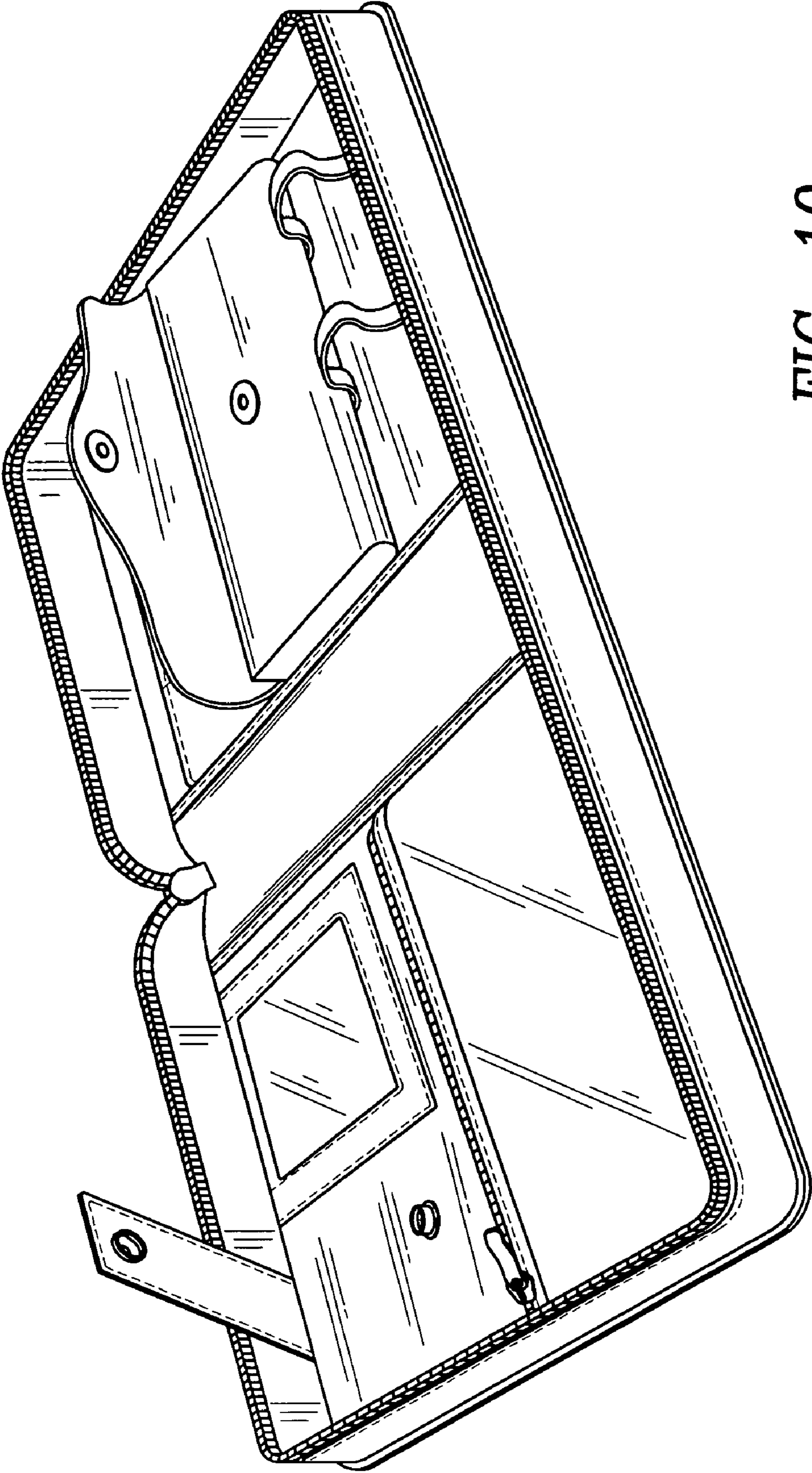


FIG. 10