

US00D552341S

(12) **United States Design Patent**
Headley

(10) **Patent No.:** **US D552,341 S**

(45) **Date of Patent:** **** Oct. 9, 2007**

(54) **UMBRELLA HANDLE**

(75) Inventor: **Ann Headley**, Cincinnati, OH (US)

(73) Assignee: **totes Isotoner Corporation**, Cincinnati, OH (US)

(**) Term: **14 Years**

(21) Appl. No.: **29/267,129**

(22) Filed: **Oct. 5, 2006**

(51) **LOC (8) Cl.** **03-03**

(52) **U.S. Cl.** **D3/12**

(58) **Field of Classification Search** D3/5-17;
135/15.1, 20.1, 22, 23, 25.4, 16, 20.3, 21,
135/24, 25.41

See application file for complete search history.

(56) **References Cited**

U.S. PATENT DOCUMENTS

| | | | | |
|----------------|---------|------------|-------|--------|
| D312,724 S * | 12/1990 | Cain | | D3/12 |
| D313,309 S * | 1/1991 | Cain | | D3/12 |
| 6,199,571 B1 * | 3/2001 | Lin et al. | | 135/24 |
| D477,459 S * | 7/2003 | Kuo | | D3/12 |
| D485,056 S * | 1/2004 | Headley | | D3/12 |
| D491,349 S * | 6/2004 | Headley | | D3/12 |

D518,949 S * 4/2006 Wang D3/12
2002/0157694 A1* 10/2002 Chen 135/24

* cited by examiner

Primary Examiner—Louis S. Zarfes

Assistant Examiner—Anhdao Doan

(74) *Attorney, Agent, or Firm*—Frost Brown Todd LLC

(57) **CLAIM**

The ornamental design for an umbrella handle, as shown and described.

DESCRIPTION

FIG. 1 is a perspective view of an umbrella handle showing my new design;

FIG. 2 is a front elevation view thereof;

FIG. 3 is a rear elevation view thereof;

FIG. 4 is a left side elevation view thereof;

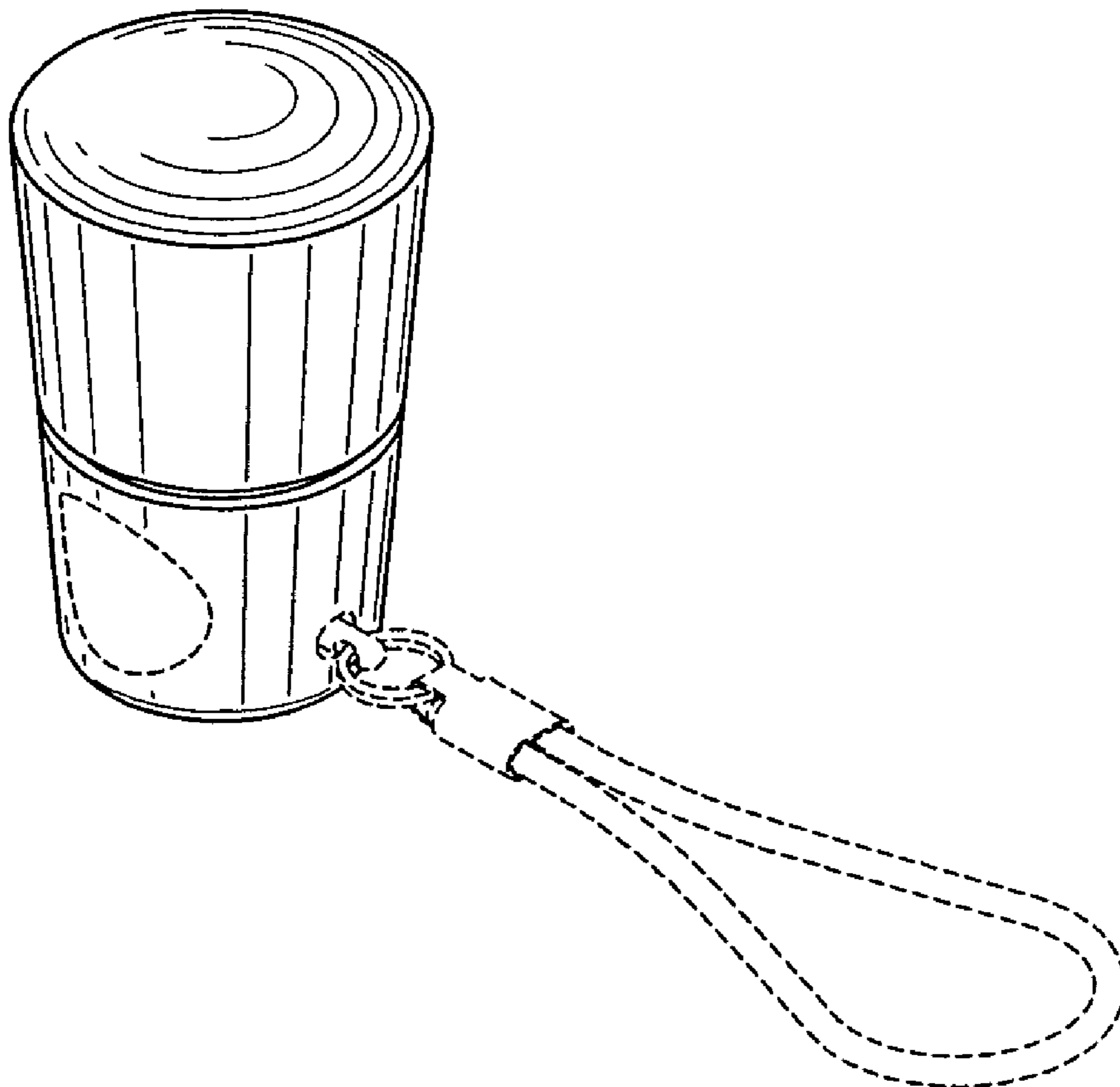
FIG. 5 is a right side elevation view thereof;

FIG. 6 is a top plan view thereof; and,

FIG. 7 is a bottom plan view thereof.

The broken lines in the drawings are for illustrative purposes only and form no part of the claimed ornamental design.

1 Claim, 4 Drawing Sheets



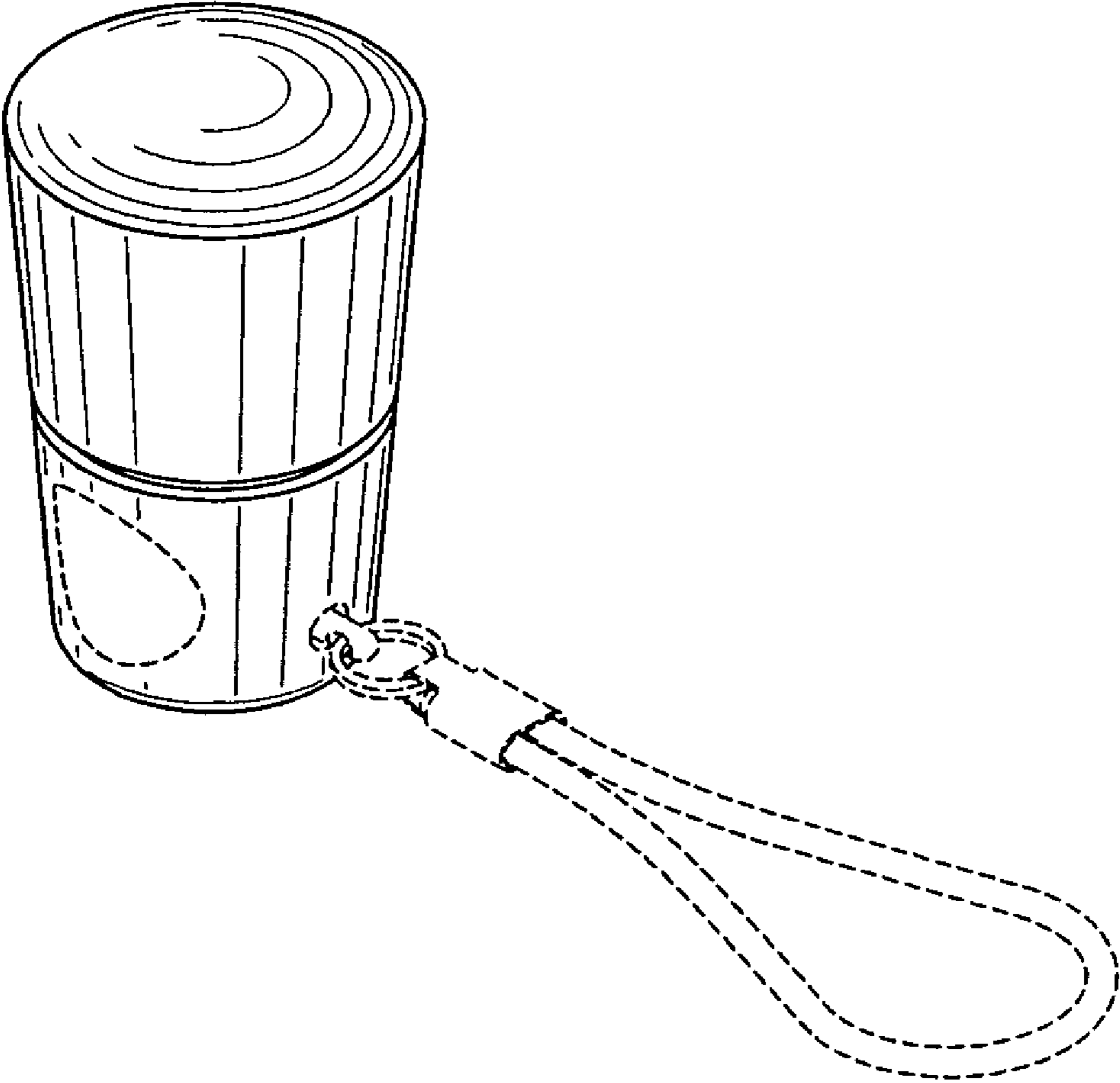


FIG. 1

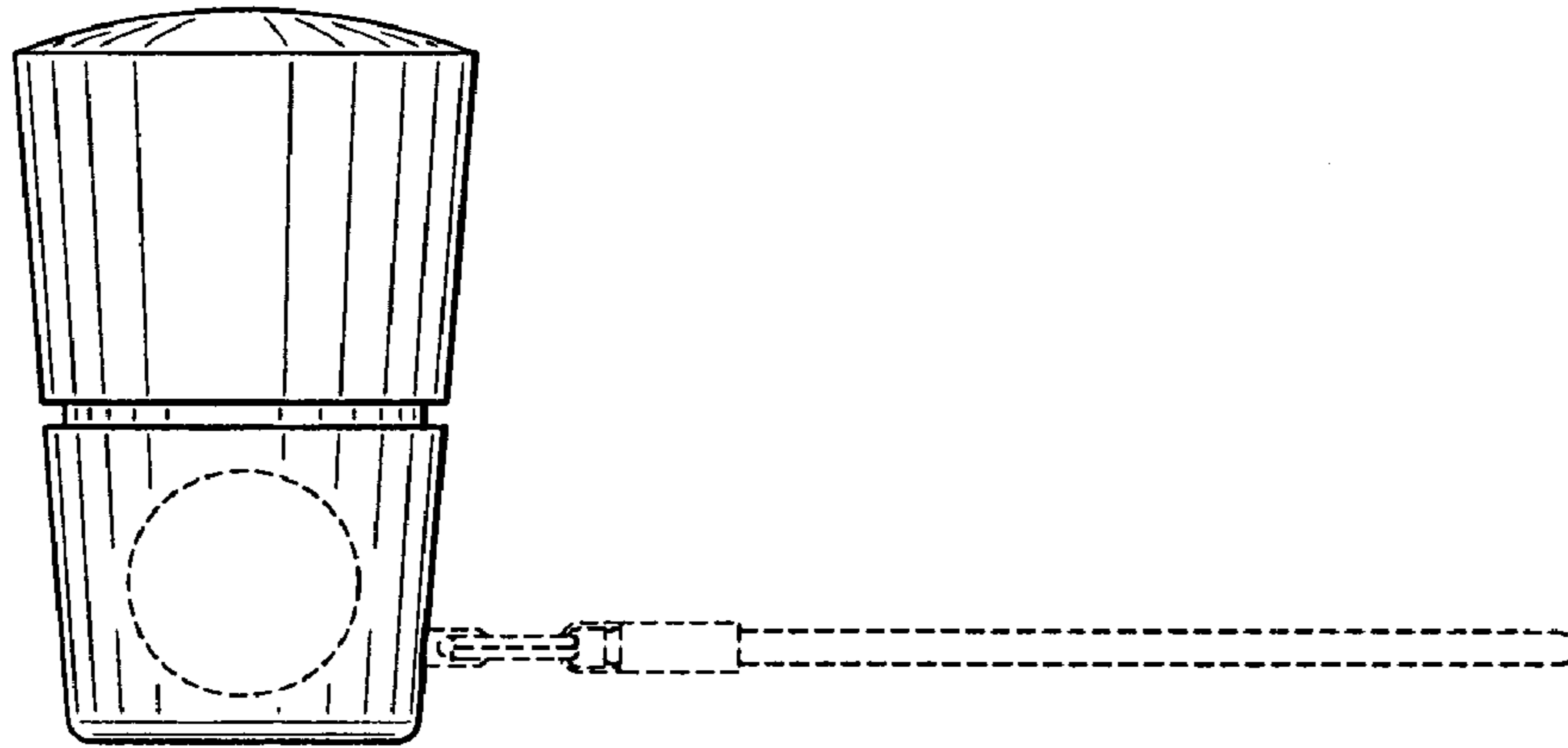


FIG. 2

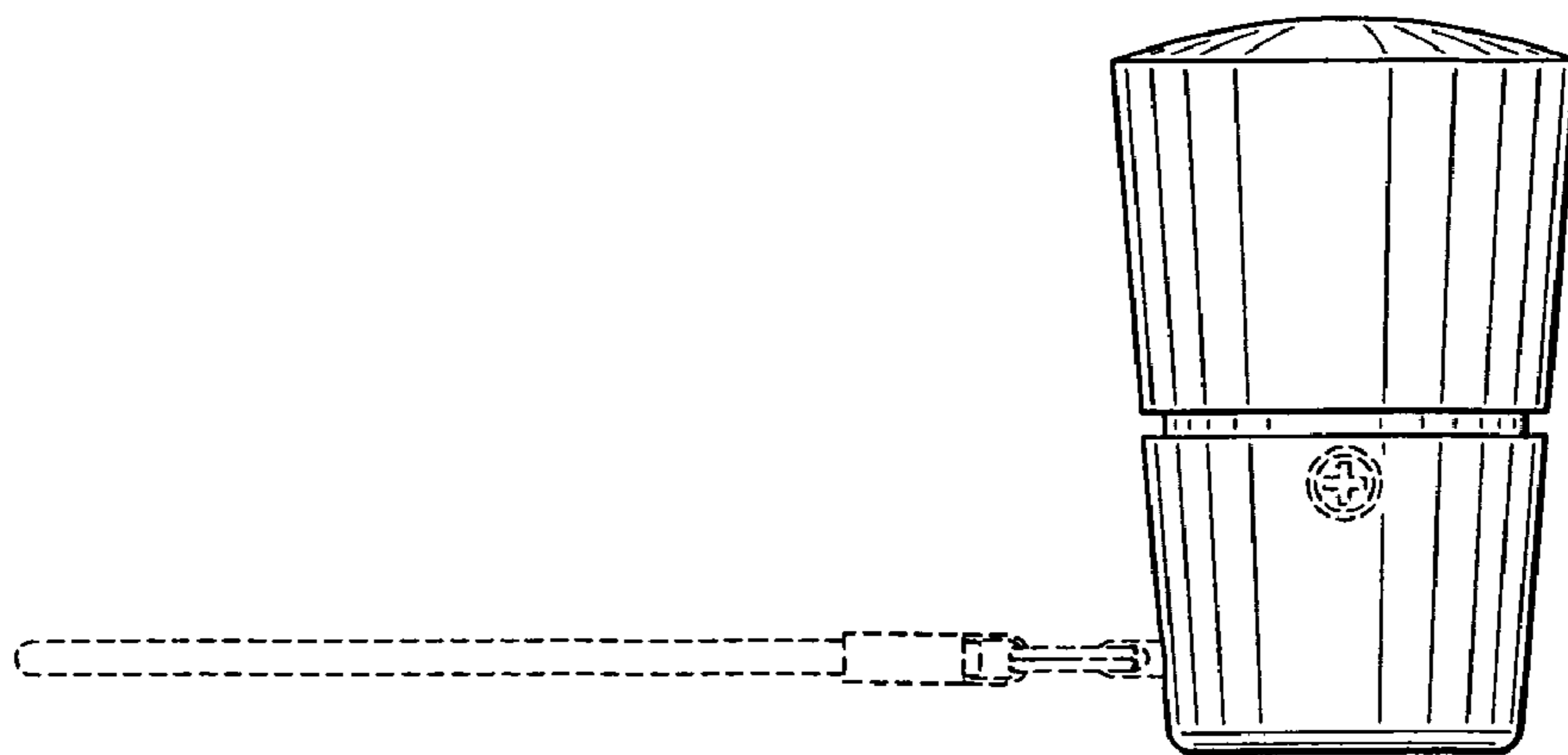


FIG. 3

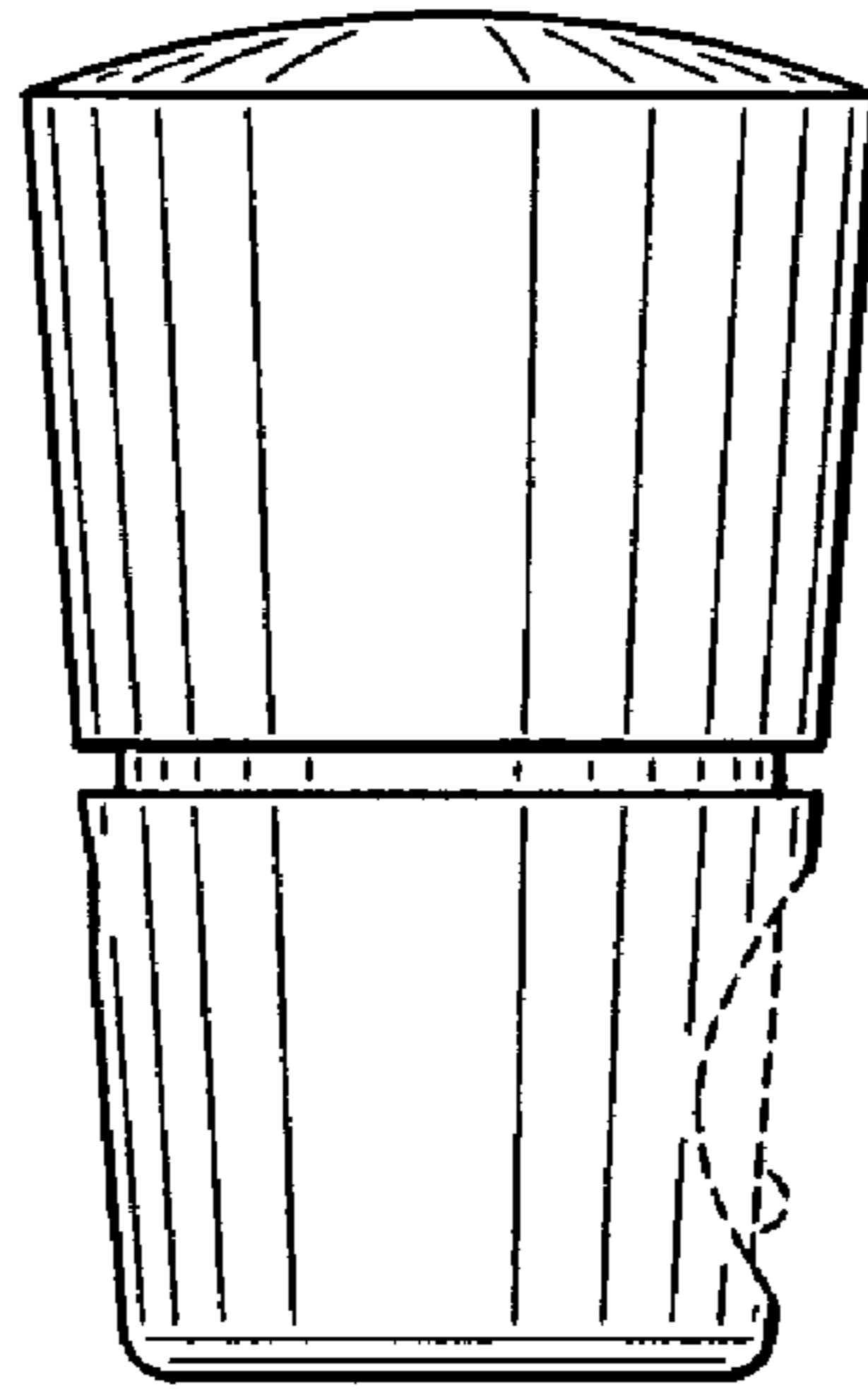


FIG. 4

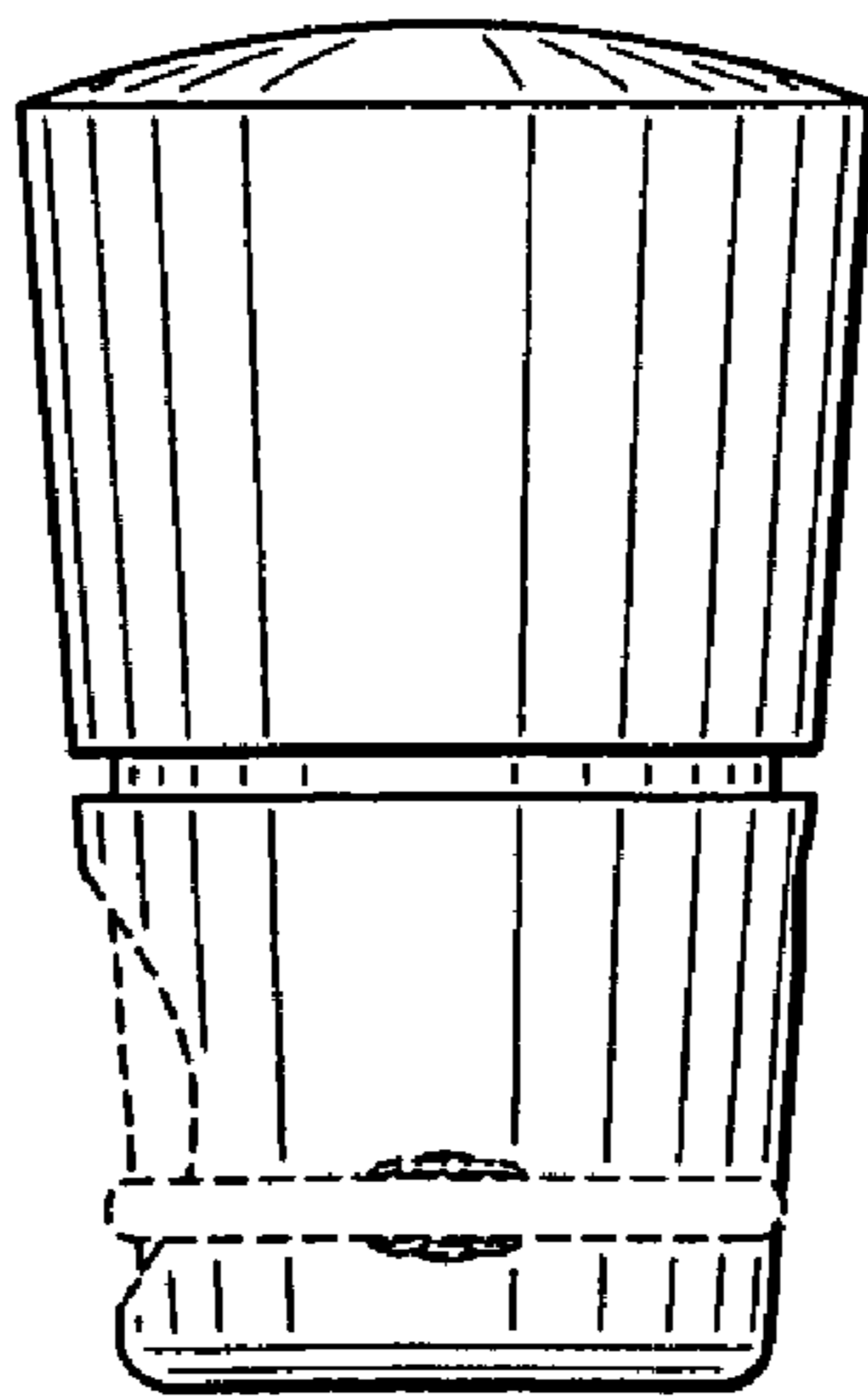


FIG. 5

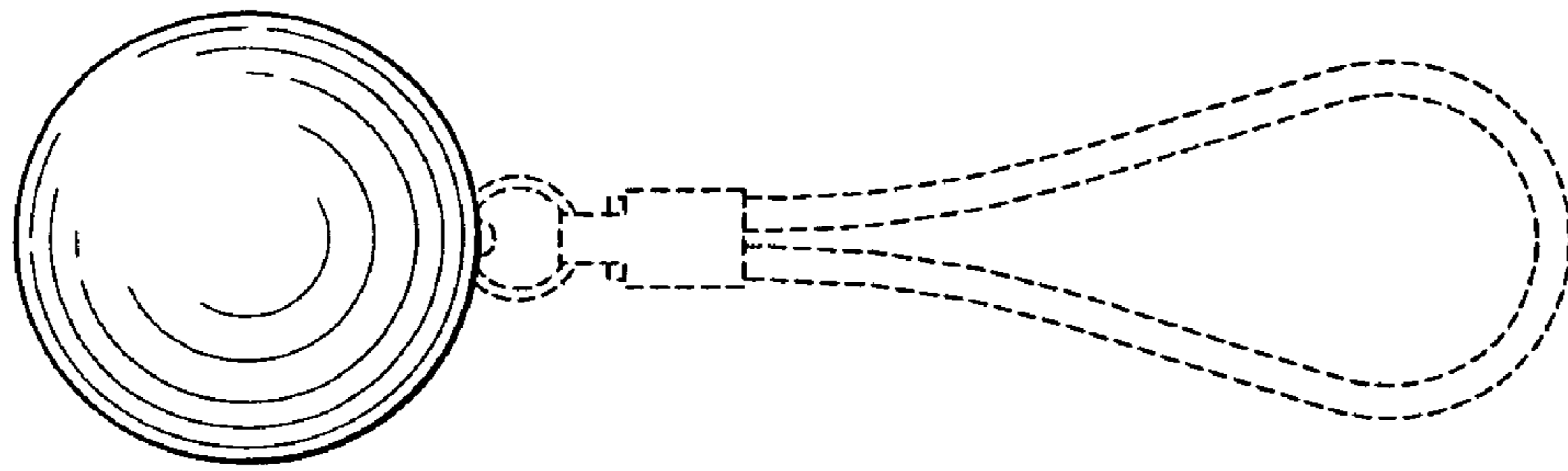


FIG. 6

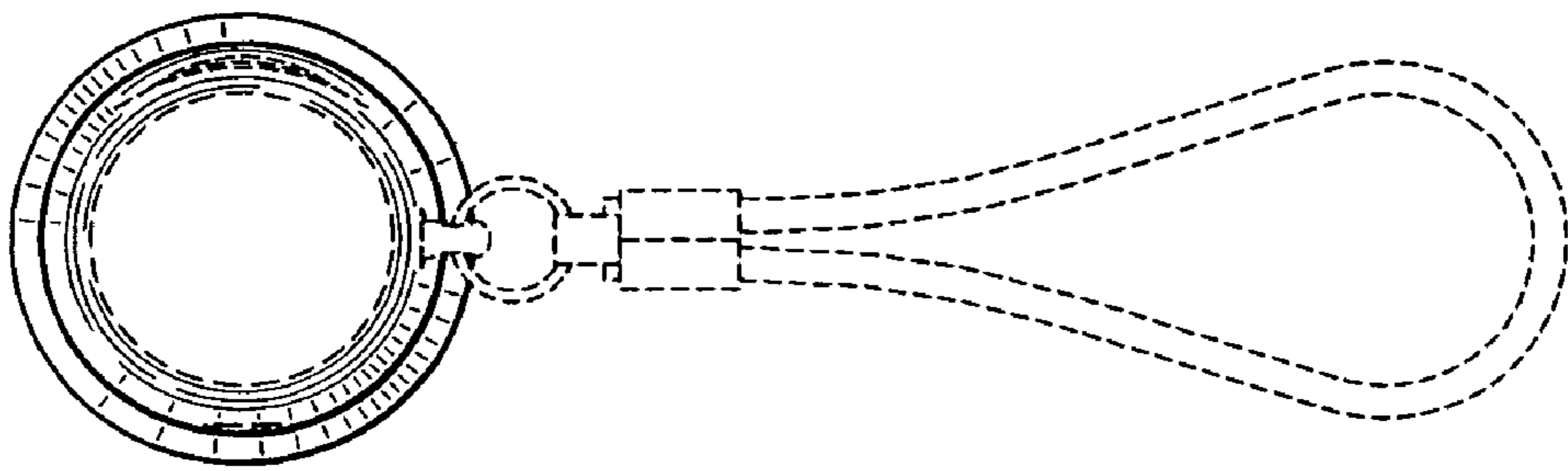


FIG. 7