



US00D552333S

(12) **United States Design Patent**  
**McClaskie**

(10) **Patent No.:** **US D552,333 S**

(45) **Date of Patent:** **\*\* Oct. 9, 2007**

(54) **OUTSOLE FOR A SHOE**

(75) Inventor: **Thomas E. McClaskie**, Bethlehem, PA  
(US)

(73) Assignee: **Columbia Insurance Company**,  
Omaha, NE (US)

(\*\*) Term: **14 Years**

(21) Appl. No.: **29/235,772**

(22) Filed: **Aug. 5, 2005**

(51) **LOC (8) Cl.** ..... **02-04**

(52) **U.S. Cl.** ..... **D2/953; D2/956; D2/960**

(58) **Field of Classification Search** ..... D2/902,  
D2/906, 908, 916, 947, 951, 953-957, 959-960;  
36/3 B, 7.3, 14, 22 R, 24.5, 25 R, 28, 32 R,  
36/67 A, 59 C

See application file for complete search history.

(56) **References Cited**

**U.S. PATENT DOCUMENTS**

D88,763 S	*	12/1932	Fowler	.....	D2/953
D193,958 S	*	10/1962	Senne	.....	D21/771
D268,543 S	*	4/1983	Bretschneider	.....	D2/953
D323,422 S	*	1/1992	Lucarelli	.....	D2/960
D329,131 S	*	9/1992	Ostberg	.....	D2/953
D356,665 S	*	3/1995	Lucarelli	.....	D2/953
D356,674 S	*	3/1995	Lucarelli	.....	D2/964
D378,240 S	*	3/1997	Merceron	.....	D2/953
D378,471 S	*	3/1997	Winson	.....	D2/953
D378,871 S	*	4/1997	Hatfield	.....	D2/953
D379,259 S	*	5/1997	Kayano	.....	D2/953
D387,895 S	*	12/1997	Cooper	.....	D2/960
D389,293 S	*	1/1998	Crowley	.....	D2/953
D398,748 S	*	9/1998	Hatfield et al.	.....	D2/960
D406,446 S	*	3/1999	Yun	.....	D2/960
D411,910 S	*	7/1999	Cessor	.....	D2/953
D449,155 S	*	10/2001	McClaskie	.....	D2/957
D450,178 S	*	11/2001	Boncutter	.....	D2/917
D454,425 S	*	3/2002	Boncutter	.....	D2/919

D455,895 S	*	4/2002	Yang	.....	D2/955
D459,865 S	*	7/2002	Urie et al.	.....	D2/955
D470,998 S	*	3/2003	Adreliunas et al.	.....	D2/953
D474,004 S	*	5/2003	Kuerbis	.....	D2/953
D498,904 S	*	11/2004	Lee	.....	D2/953
D500,399 S	*	1/2005	Fuerst	.....	D2/926
D503,264 S	*	3/2005	McClaskie	.....	D2/955
D515,791 S	*	2/2006	McClaskie	.....	D2/953
D528,748 S	*	9/2006	Fuerst	.....	D2/917
2005/0060914 A1	*	3/2005	Fuerst	.....	36/102

\* cited by examiner

*Primary Examiner*—Celia A. Murphy

(74) *Attorney, Agent, or Firm*—St. Onge Steward Johnston  
& Reens LLC

(57) **CLAIM**

I claim the ornamental design for an outsole for a shoe, as shown and described.

**DESCRIPTION**

FIG. 1 is a bottom view of an outsole for a shoe showing my new design;

FIG. 2 is a right side view thereof;

FIG. 3 is a left side view thereof;

FIG. 4 is a front view thereof;

FIG. 5 is a rear view thereof;

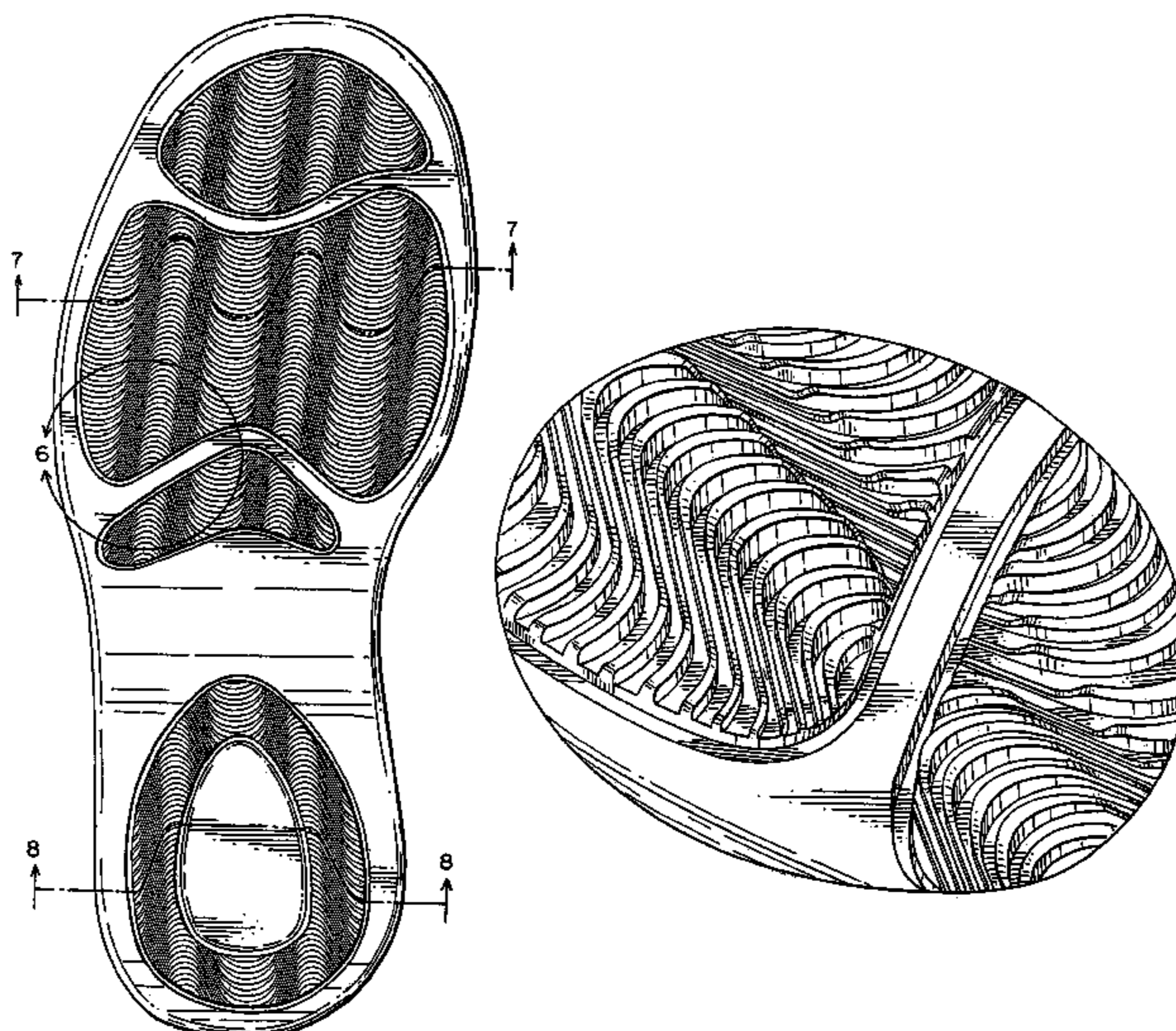
FIG. 6 is an enlarged perspective view of the area labeled "6" in FIG. 1

FIG. 7 is an enlarged cross-sectional view taken on line 7—7 of FIG. 1; and,

FIG. 8 is an enlarged cross sectional view taken on line 8—8 of FIG. 1.

The broken line showing a footwear upper in FIGS. 2-5, along with the broken lines showing interior surfaces in FIGS. 7 & 8, represent the portions of the design that form no part of the claim.

**1 Claim, 6 Drawing Sheets**



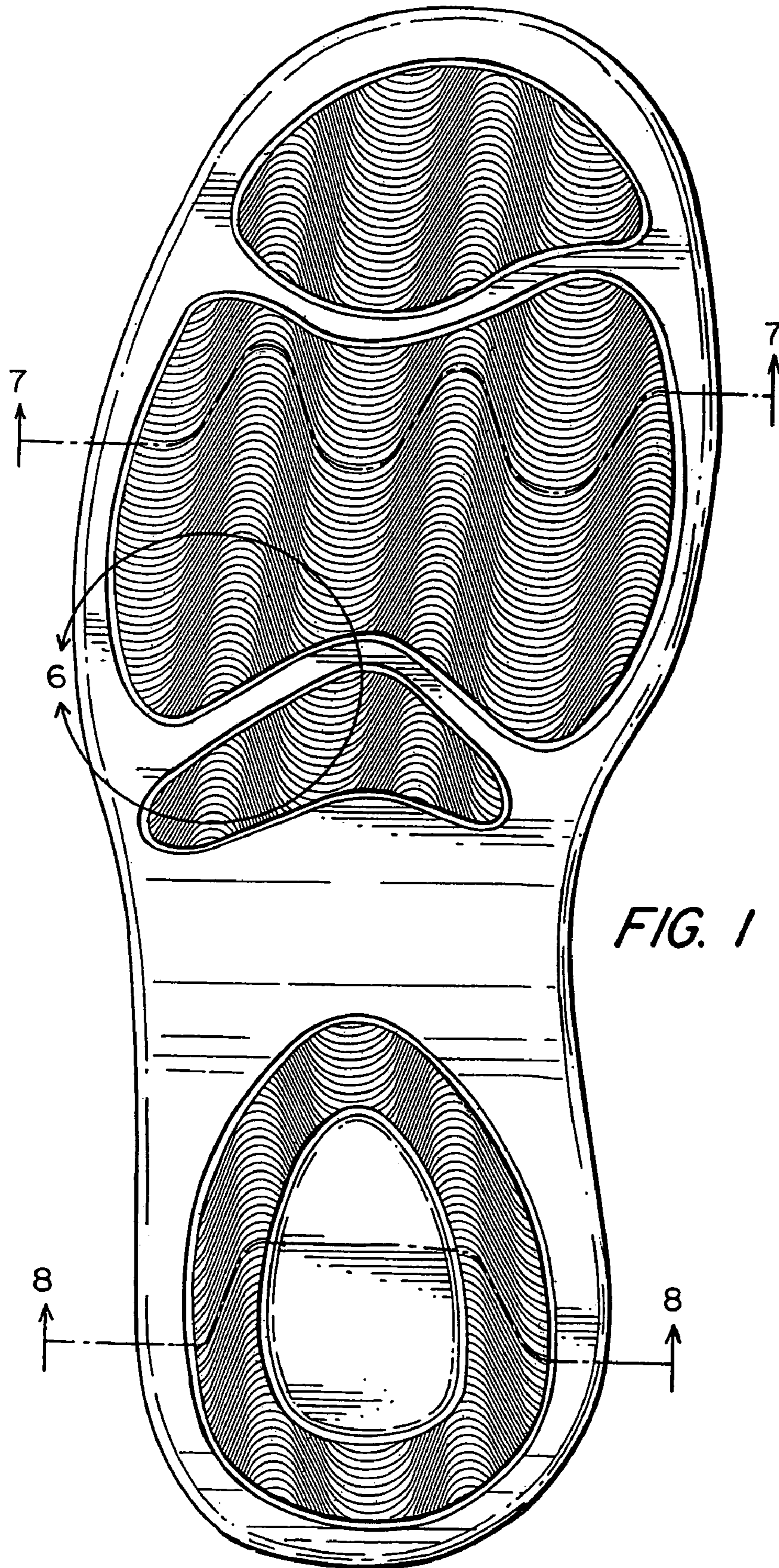


FIG. 1

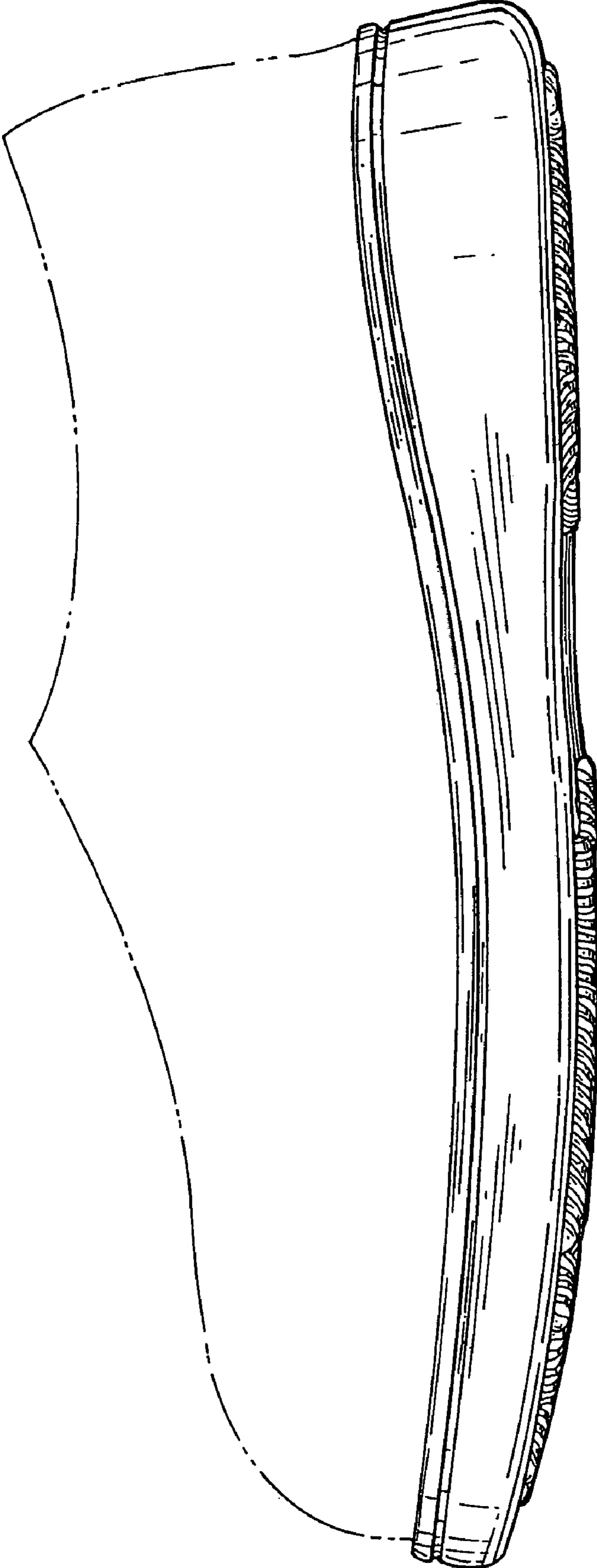
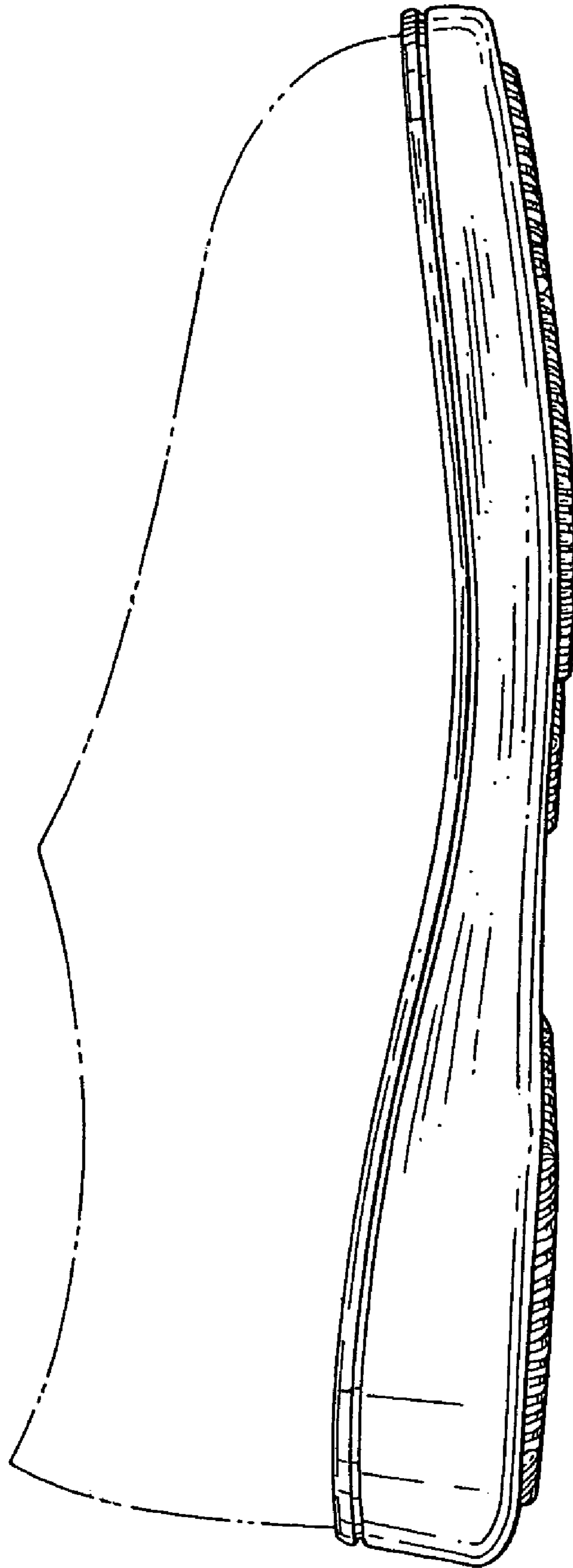
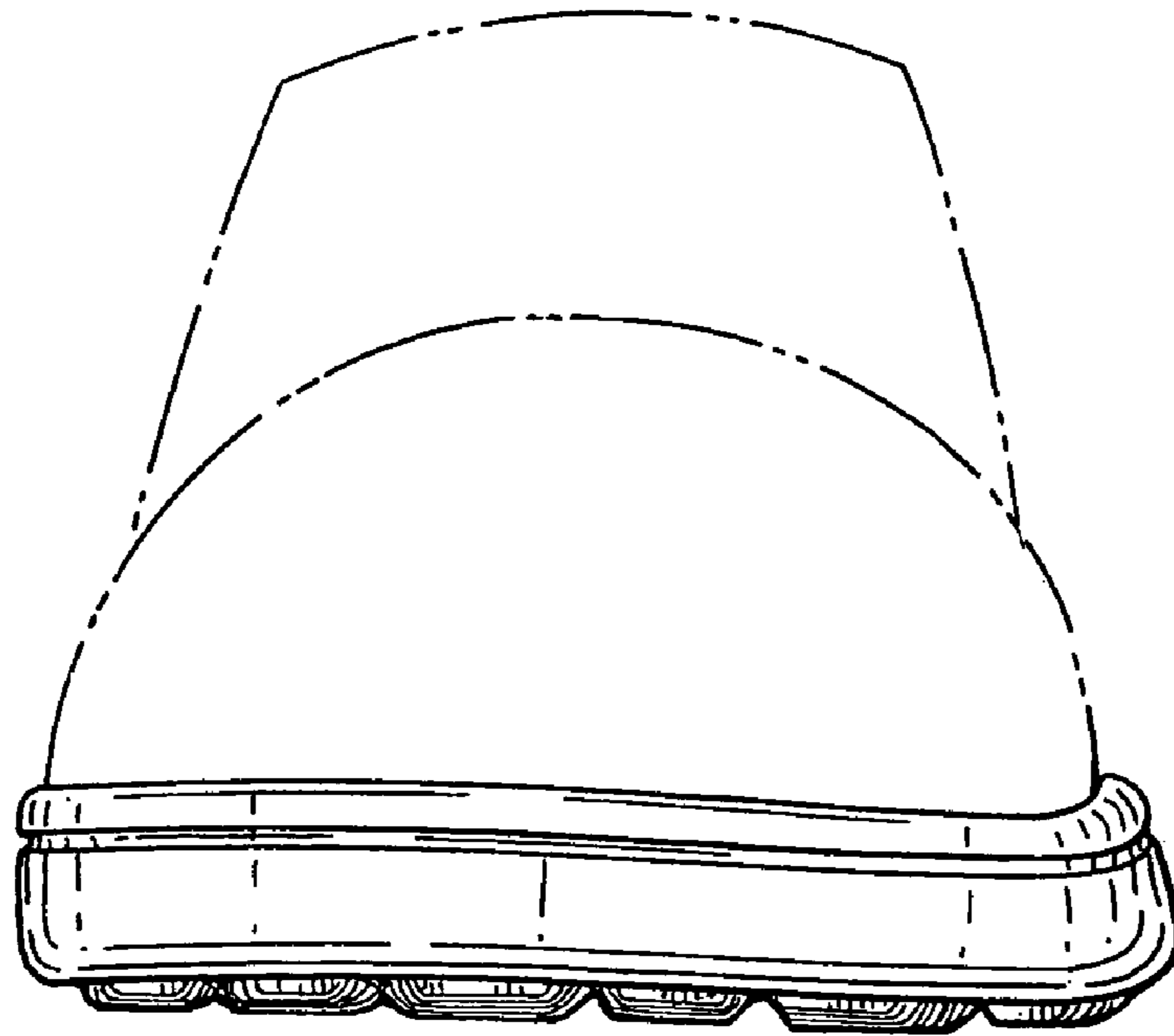


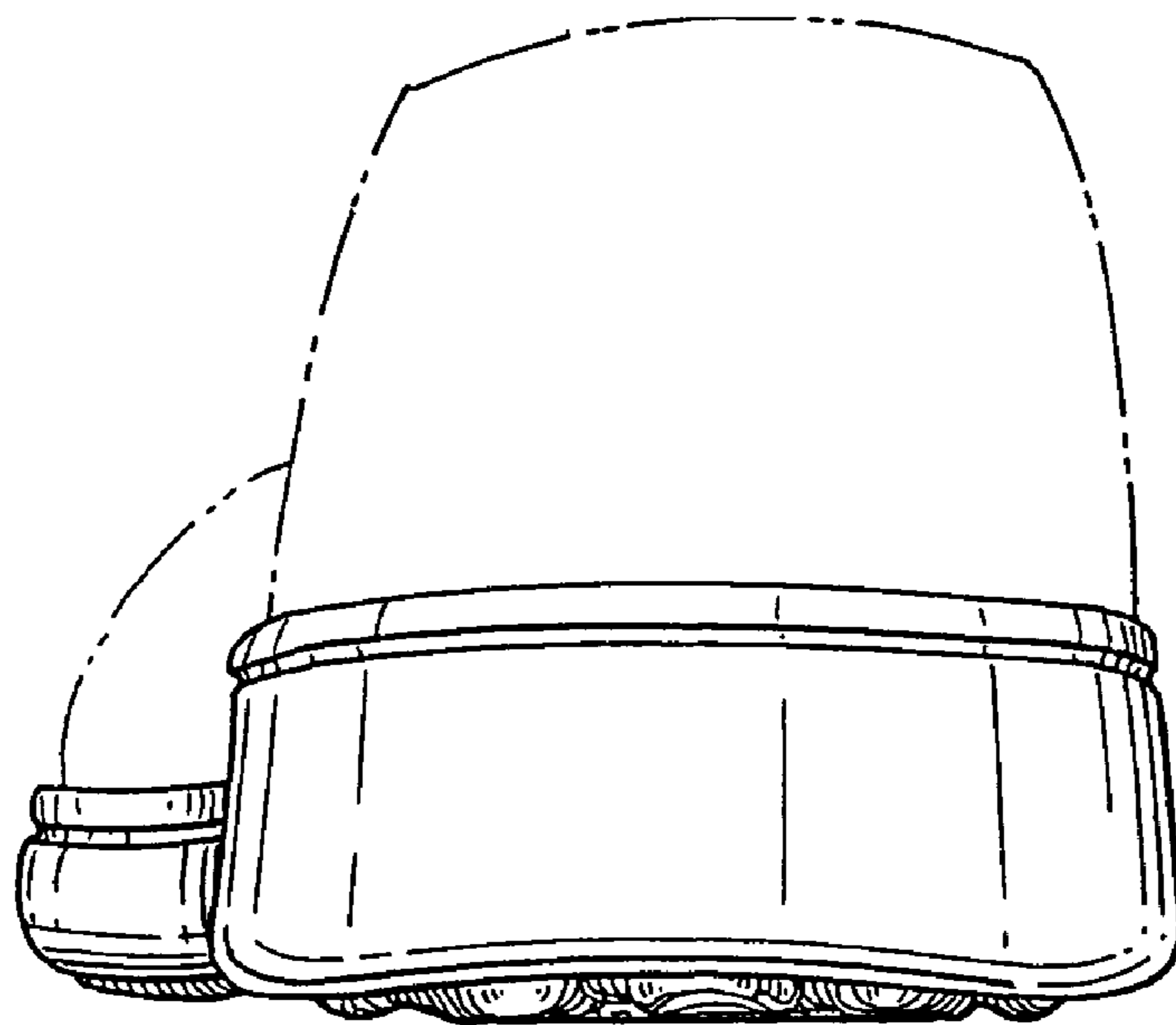
FIG. 2



*FIG. 3*



*FIG. 4*



*FIG. 5*

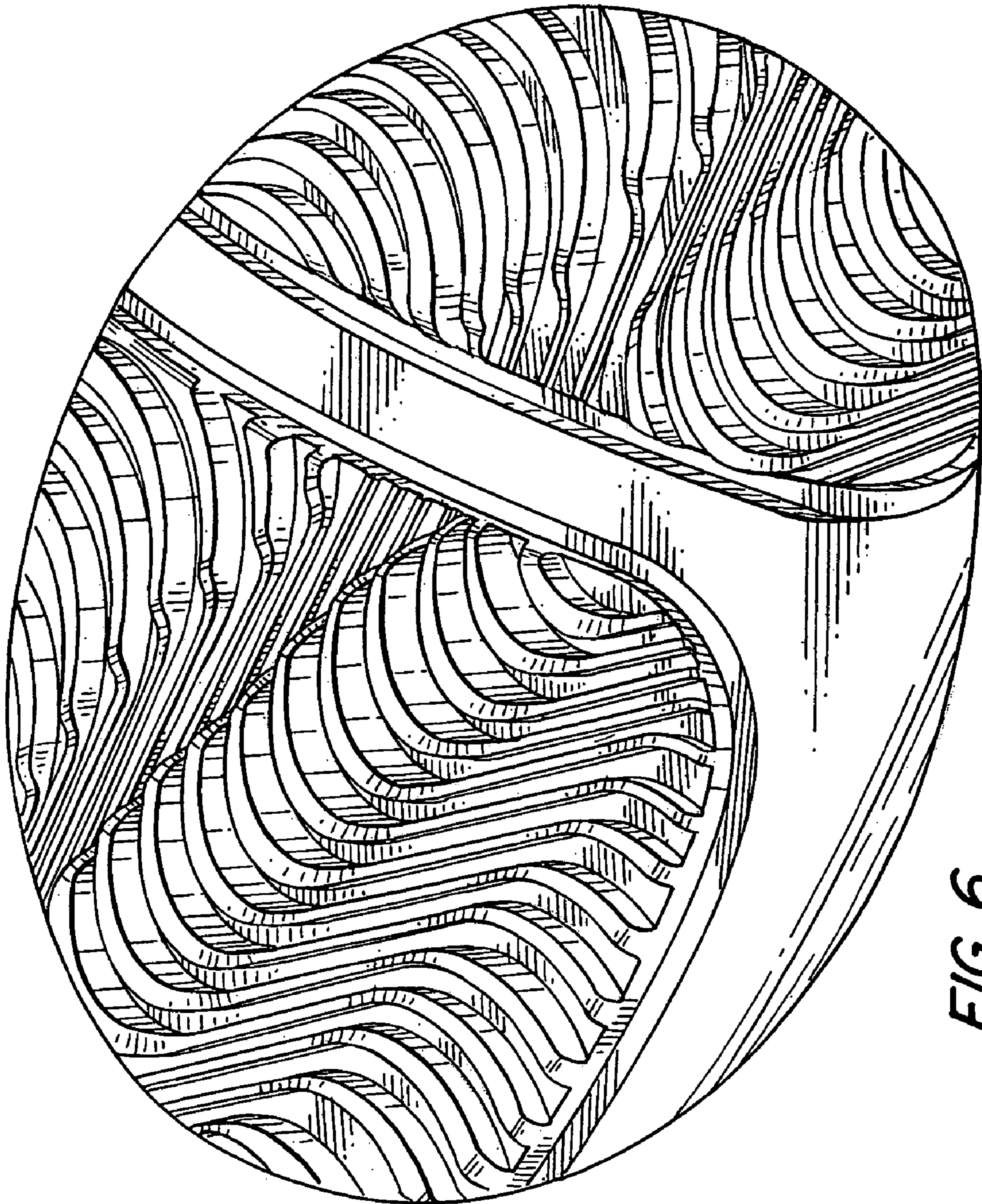
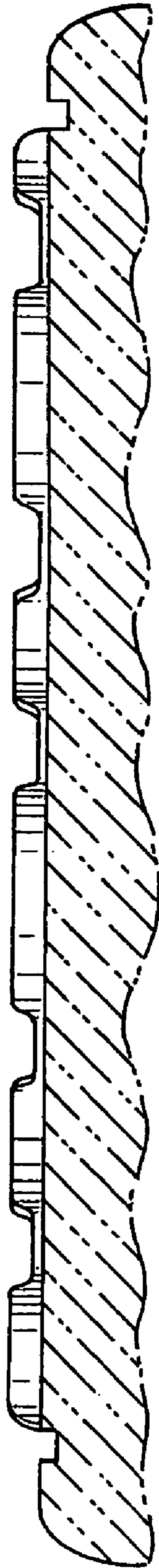


FIG. 6



*FIG. 7*



*FIG. 8*