



US00D552328S

(12) **United States Design Patent**  
**Smith et al.**

(10) **Patent No.:** **US D552,328 S**

(45) **Date of Patent:** **\*\* \*Oct. 9, 2007**

(54) **TROUSERS**

(76) Inventors: **Anthony R. Smith**, 3505 Kings Arms, Memphis, TN (US) 38115; **Yolanda Smith**, 3505 Kings Arms, Memphis, TN (US) 38115

(\*) Notice: This patent is subject to a terminal disclaimer.

(\*\*) Term: **14 Years**

(21) Appl. No.: **29/235,329**

(22) Filed: **Aug. 1, 2005**

(51) **LOC (8) Cl.** ..... **02-02**

(52) **U.S. Cl.** ..... **D2/742**

(58) **Field of Classification Search** ..... D2/712-714, D2/716, 742-748, 857; 2/2.17, 22, 23, 69, 2/71, 72, 76, 79, 221, 227, 228, 231-238, 2/247-254, 911, 919

See application file for complete search history.

(56) **References Cited**

**U.S. PATENT DOCUMENTS**

1,036,859	A *	8/1912	Kirshen	.....	2/254
1,107,158	A *	8/1914	Day	.....	2/236
1,499,647	A *	7/1924	Emsley	.....	2/236
D140,465	S *	2/1945	Kotzin	.....	250/311
3,435,462	A *	4/1969	Bank	.....	2/227
4,188,672	A *	2/1980	Kalso	.....	2/221
D271,537	S *	11/1983	Alsup	.....	D2/742
5,050,244	A *	9/1991	Kleinman	.....	2/227
5,675,842	A *	10/1997	Schaefer	.....	2/237
5,689,832	A *	11/1997	Head	.....	2/227
D392,085	S	3/1998	Head et al.		
5,806,095	A *	9/1998	Cotten	.....	2/79
6,108,819	A *	8/2000	DeBaene et al.	.....	2/227
6,115,838	A *	9/2000	Scholtis et al.	.....	2/46
6,202,220	B1 *	3/2001	Rhoden	.....	2/236

6,308,338	B1 *	10/2001	Caldwell	.....	2/312
6,327,714	B1 *	12/2001	Koerner	.....	2/236
6,922,849	B1 *	8/2005	Fedrick	.....	2/227
2004/0163159	A1 *	8/2004	Edwards et al.	.....	2/338
2005/0246820	A1 *	11/2005	Davenport	.....	2/227
2006/0010571	A1 *	1/2006	Oakley	.....	2/227

**FOREIGN PATENT DOCUMENTS**

DE	20	2004011705	U1 *	11/2004
EP		1021962	A2 *	7/2000

**OTHER PUBLICATIONS**

IMVU beta. www.imvu.com/catalog/web\_index\_new.php. Copyright 2005. Baggy Jeans for Male. Item A: center of page.\*  
White Light Productions. http://whitelightproductions.50megs.com/menpants.html. Dec. 2003. Black & Blue Sagging Jeans. Item B: center of page.\*

\* cited by examiner

*Primary Examiner*—Celia A. Murphy  
*Assistant Examiner*—R. Johnson  
(74) *Attorney, Agent, or Firm*—Mark A. Crossley, Esq.; Crossley Patent Law

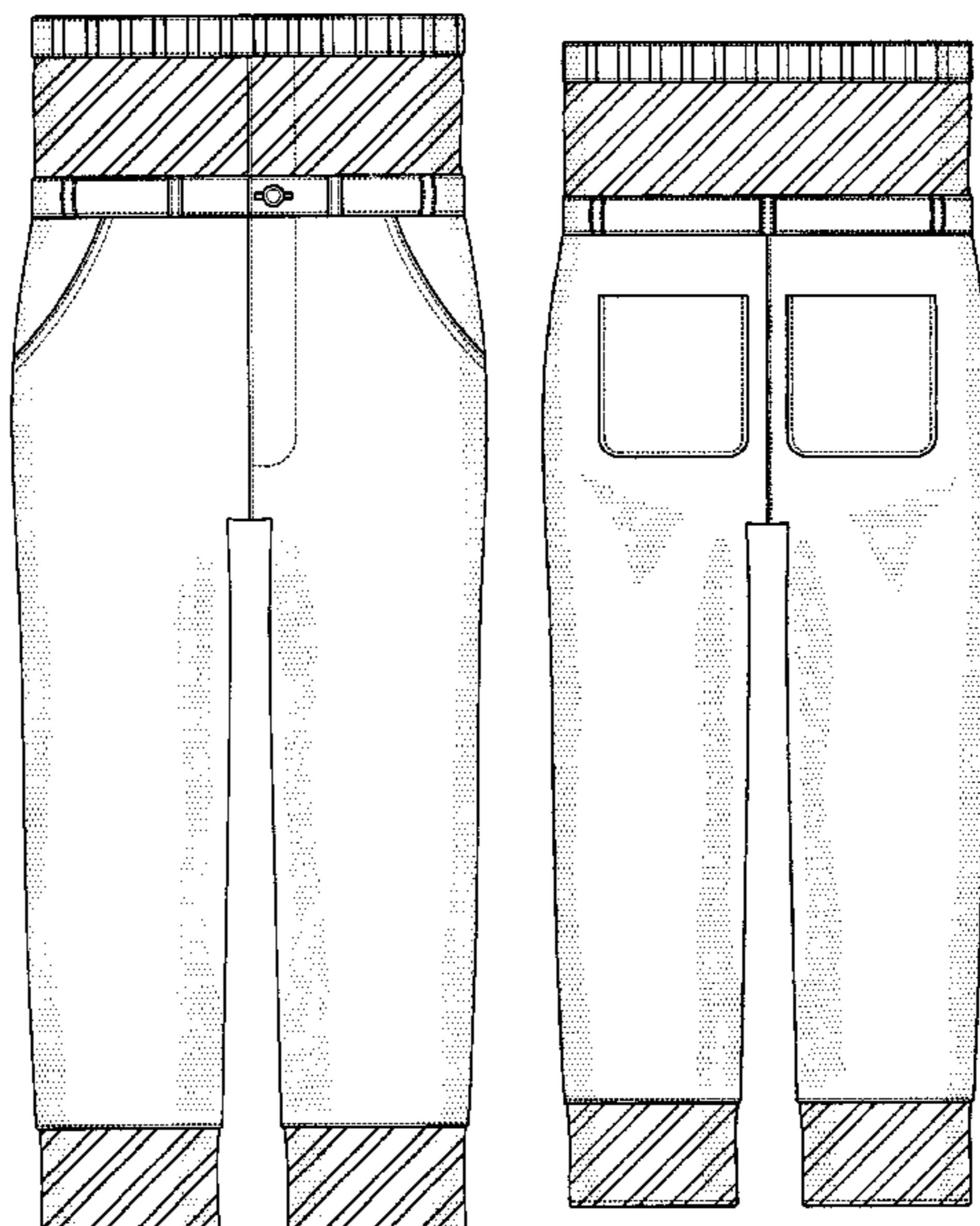
(57) **CLAIM**

The ornamental design for trousers, as shown and described.

**DESCRIPTION**

FIG. 1 is a front elevation view of trousers showing our new design;  
FIG. 2 is a rear elevation view of our invention;  
FIG. 3 is a left side elevation view;  
FIG. 4 is a right elevation view;  
FIG. 5 is a top plan view; and,  
FIG. 6 is a bottom plan view trousers showing our new design.  
The broken lines shown in FIGS. 1-6 represent stitching.

**1 Claim, 4 Drawing Sheets**



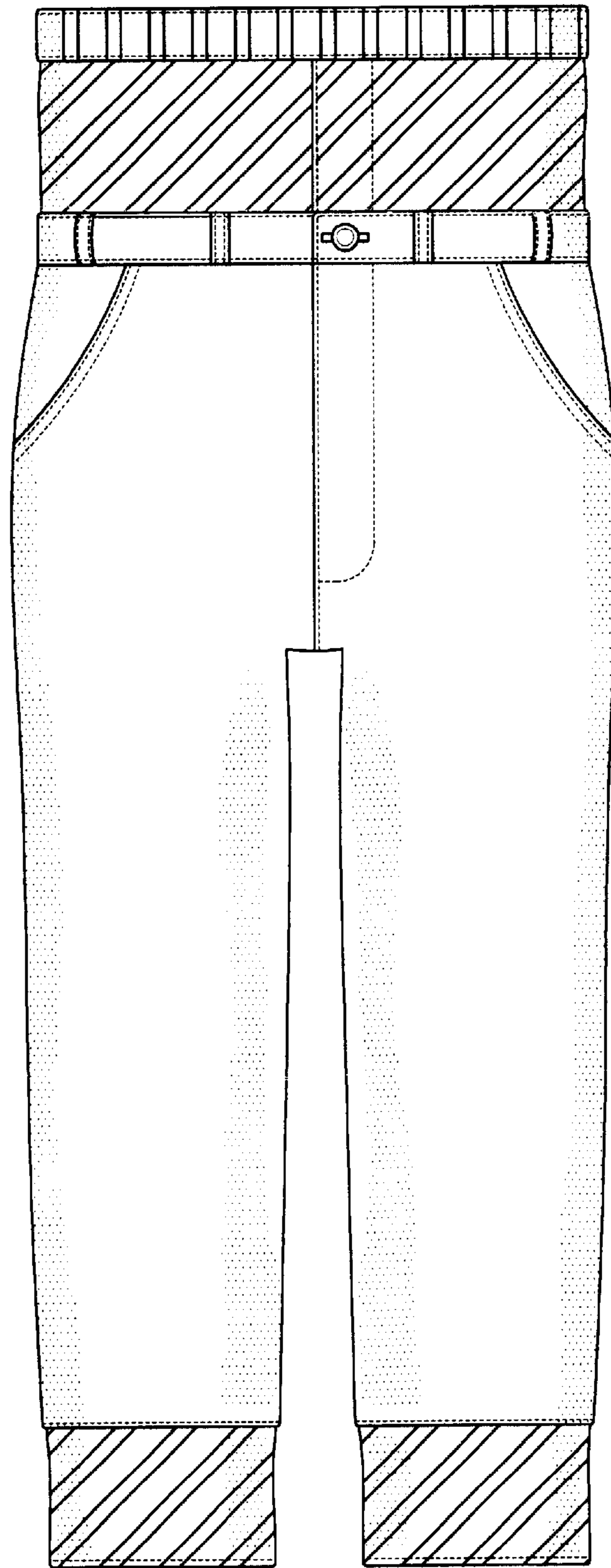


FIG. 1

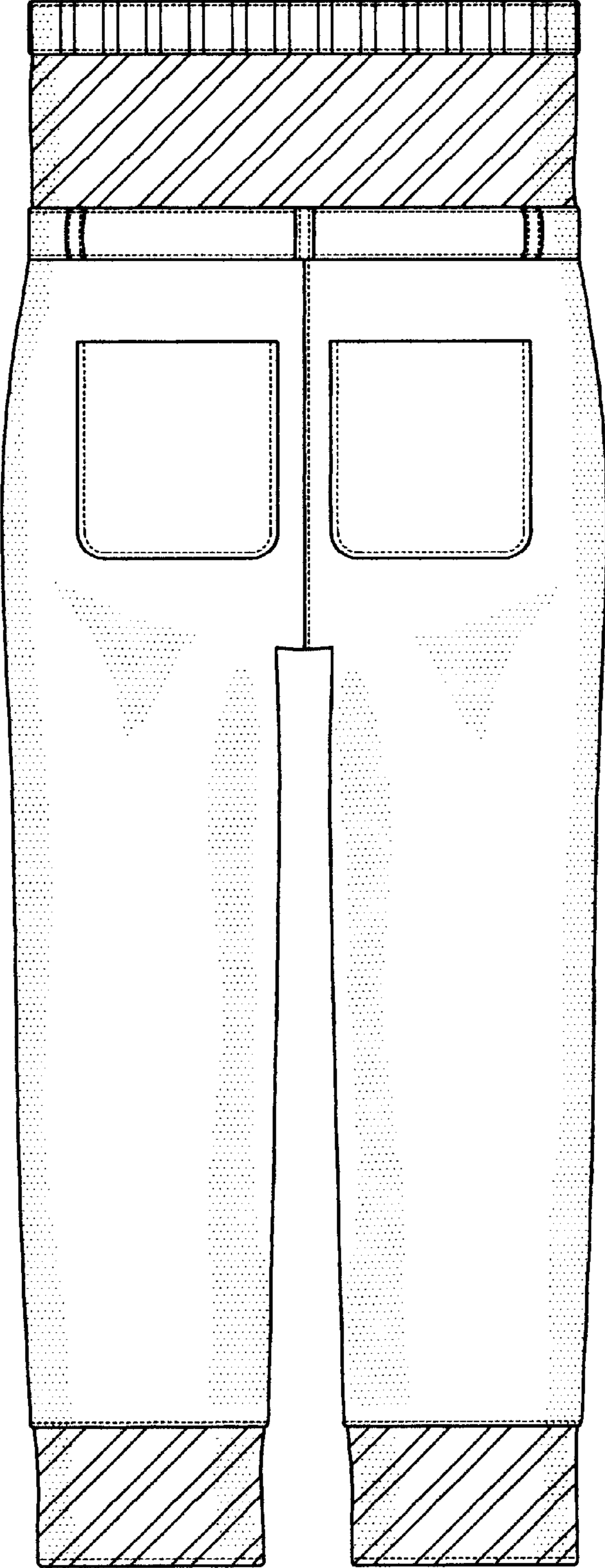


FIG.2

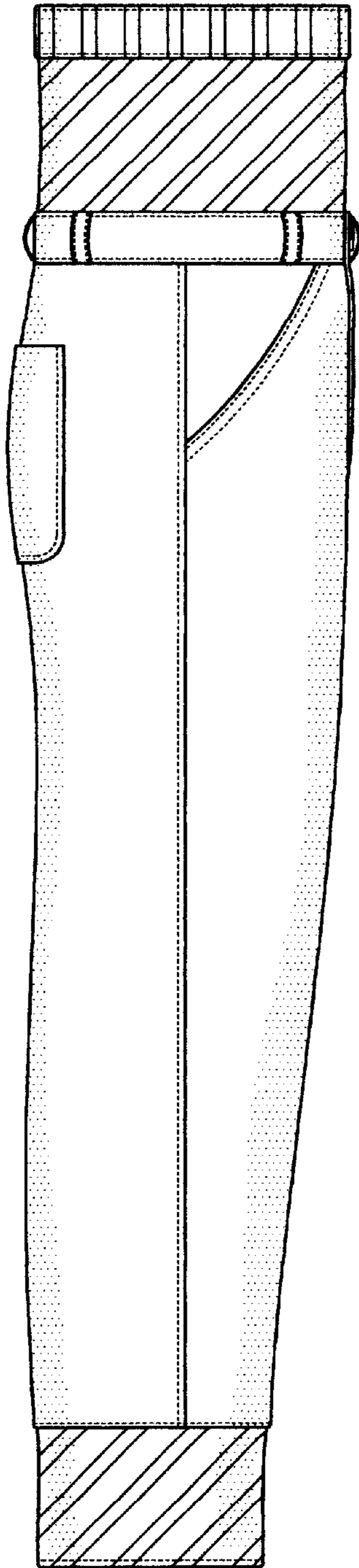


FIG.3

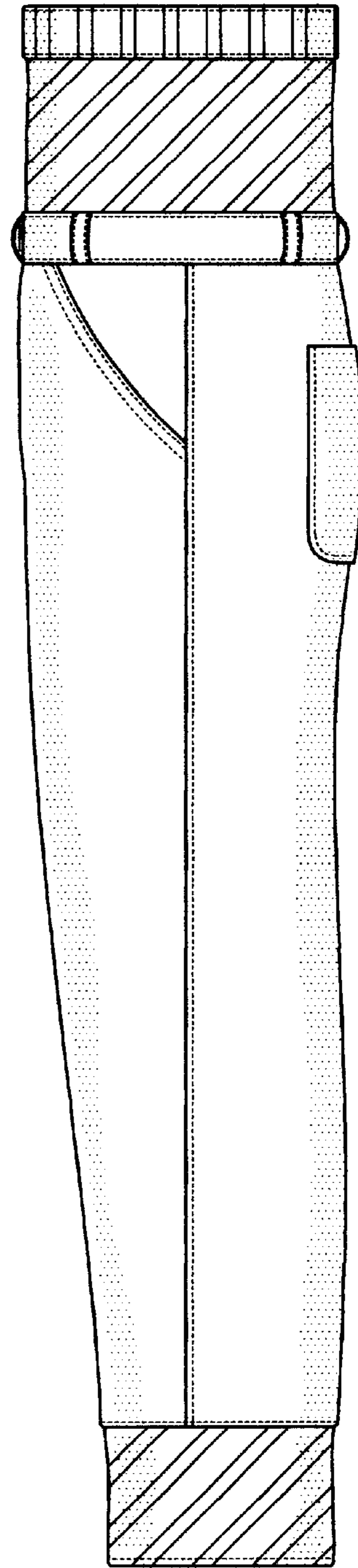


FIG.4

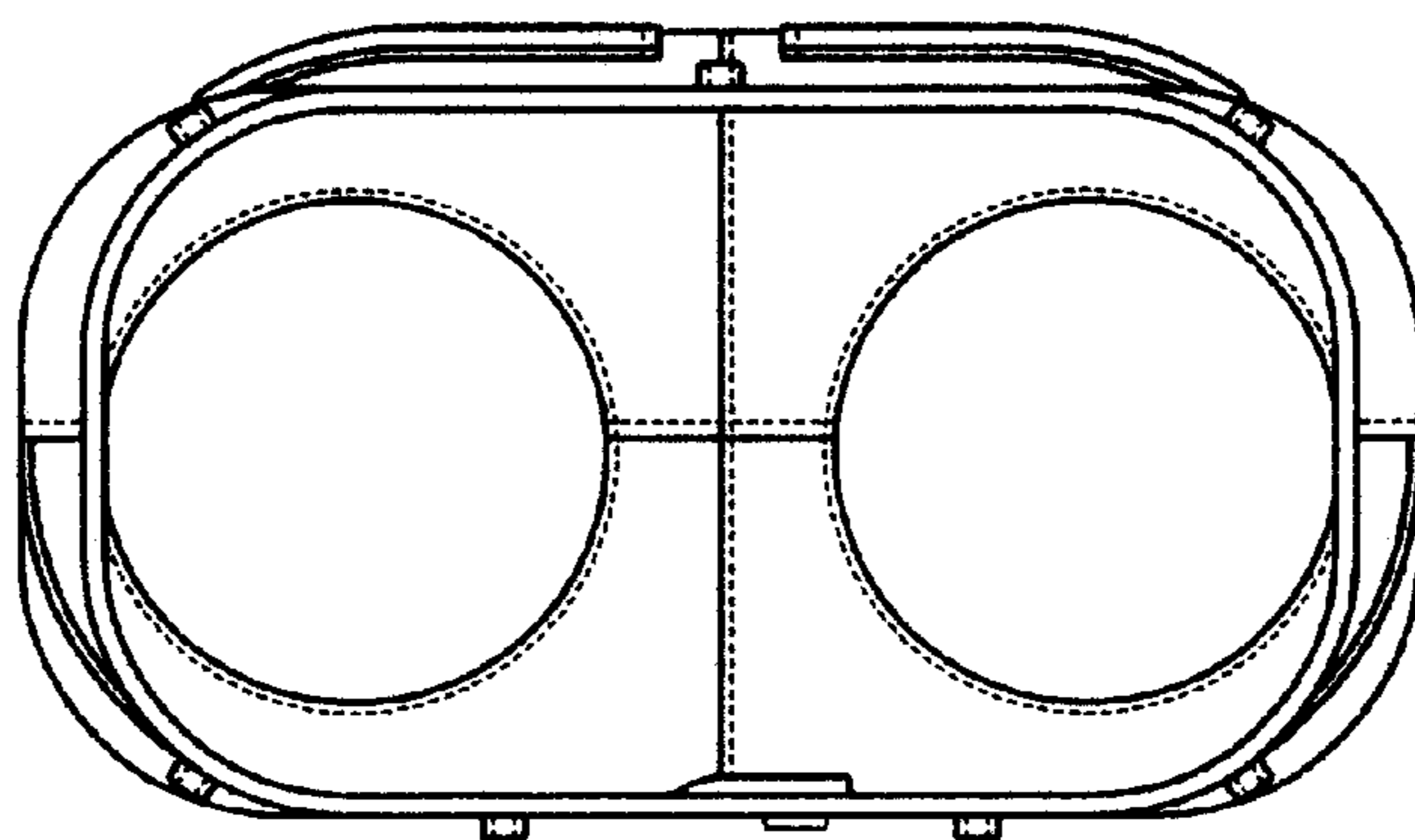


FIG. 5

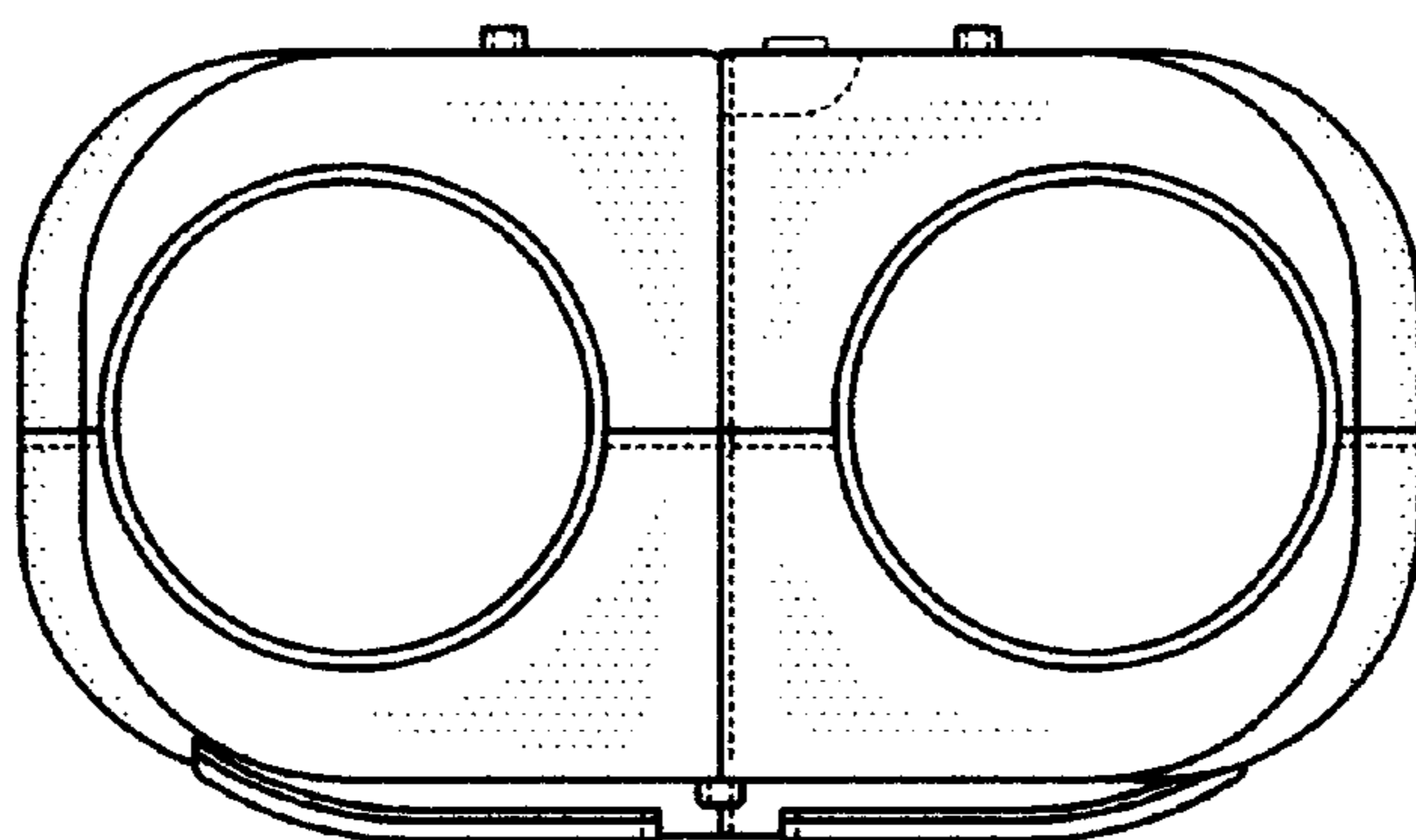


FIG. 6