



US00D552317S

(12) **United States Design Patent**
Wu

(10) **Patent No.:** **US D552,317 S**

(45) **Date of Patent:** **** Oct. 2, 2007**

(54) **FLATIRON**

D466,260 S * 11/2002 Wu D32/69

(76) Inventor: **Lian-Bao Wu**, 58, Ma Yuan West St.,
Taichung (TW)

* cited by examiner

Primary Examiner—Pamela J. Burgess

(74) *Attorney, Agent, or Firm*—Alan Kamrath; Kamrath &
Associates PA

(**) Term: **14 Years**

(21) Appl. No.: **29/245,540**

(57) **CLAIM**

(22) Filed: **Dec. 27, 2005**

The ornamental design for a flatiron, as shown and
described.

(51) **LOC (8) Cl.** **07-05**

(52) **U.S. Cl.** **D32/69**

(58) **Field of Classification Search** D32/68-73;
38/77.1-77.5, 75, 69, 79, 77.7-77.8, 88;
219/245, 254, 273, 275

DESCRIPTION

See application file for complete search history.

FIG. 1 is a front elevational view of a flatiron showing my
design;

FIG. 2 is a rear elevational view thereof;

FIG. 3 is a left side elevational view thereof;

FIG. 4 is a right side elevational view thereof;

FIG. 5 is a top plan view thereof;

FIG. 6 is a bottom plan view thereof; and,

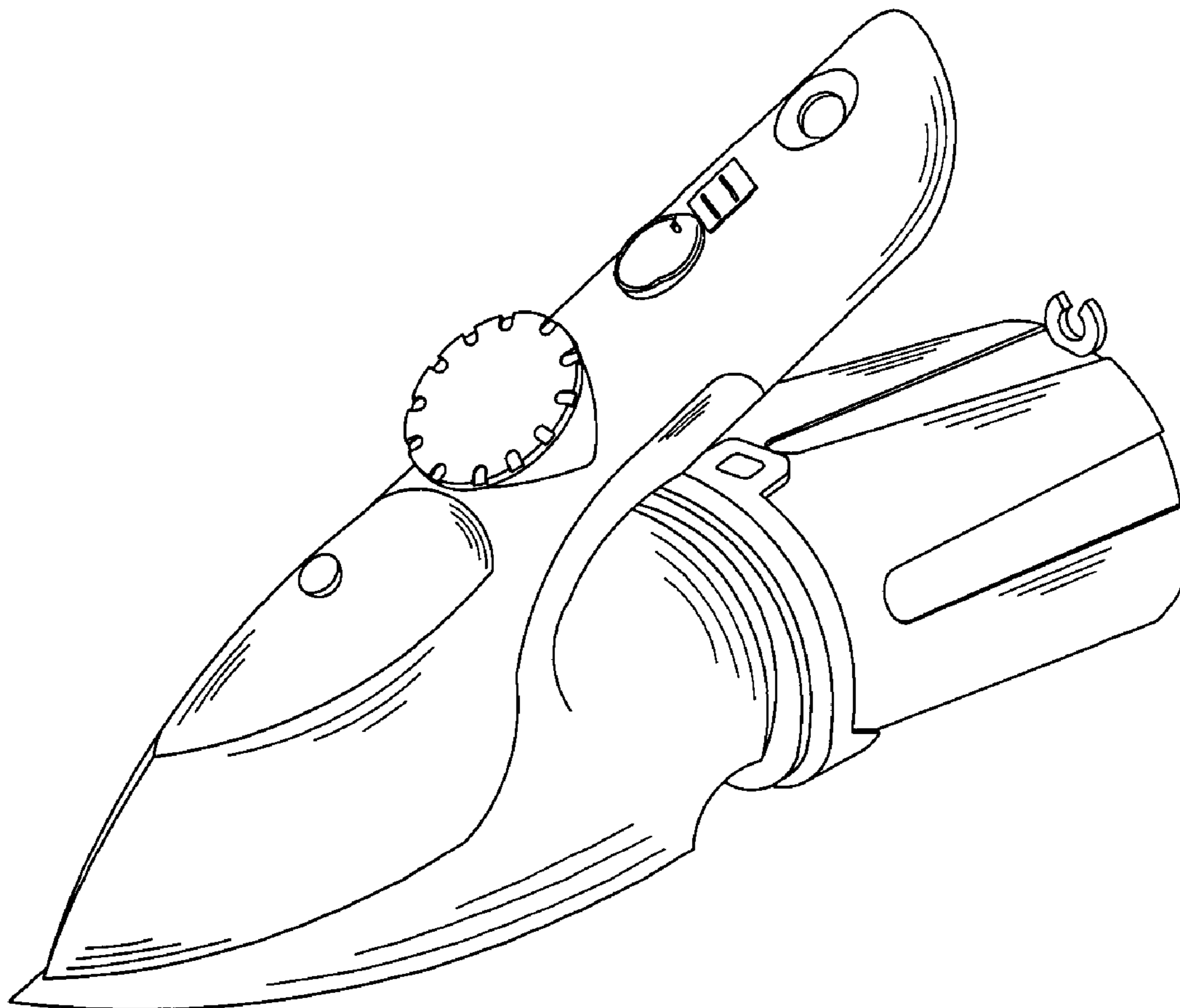
FIG. 7 is a perspective view thereof.

(56) **References Cited**

U.S. PATENT DOCUMENTS

- D99,751 S * 5/1936 Morgan D32/68
- D212,700 S * 11/1968 Teleki D21/526
- D230,458 S * 2/1974 Hall et al. D32/69
- 4,496,826 A * 1/1985 Osrow 392/335
- D415,865 S * 10/1999 Littmann et al. D32/70

1 Claim, 5 Drawing Sheets



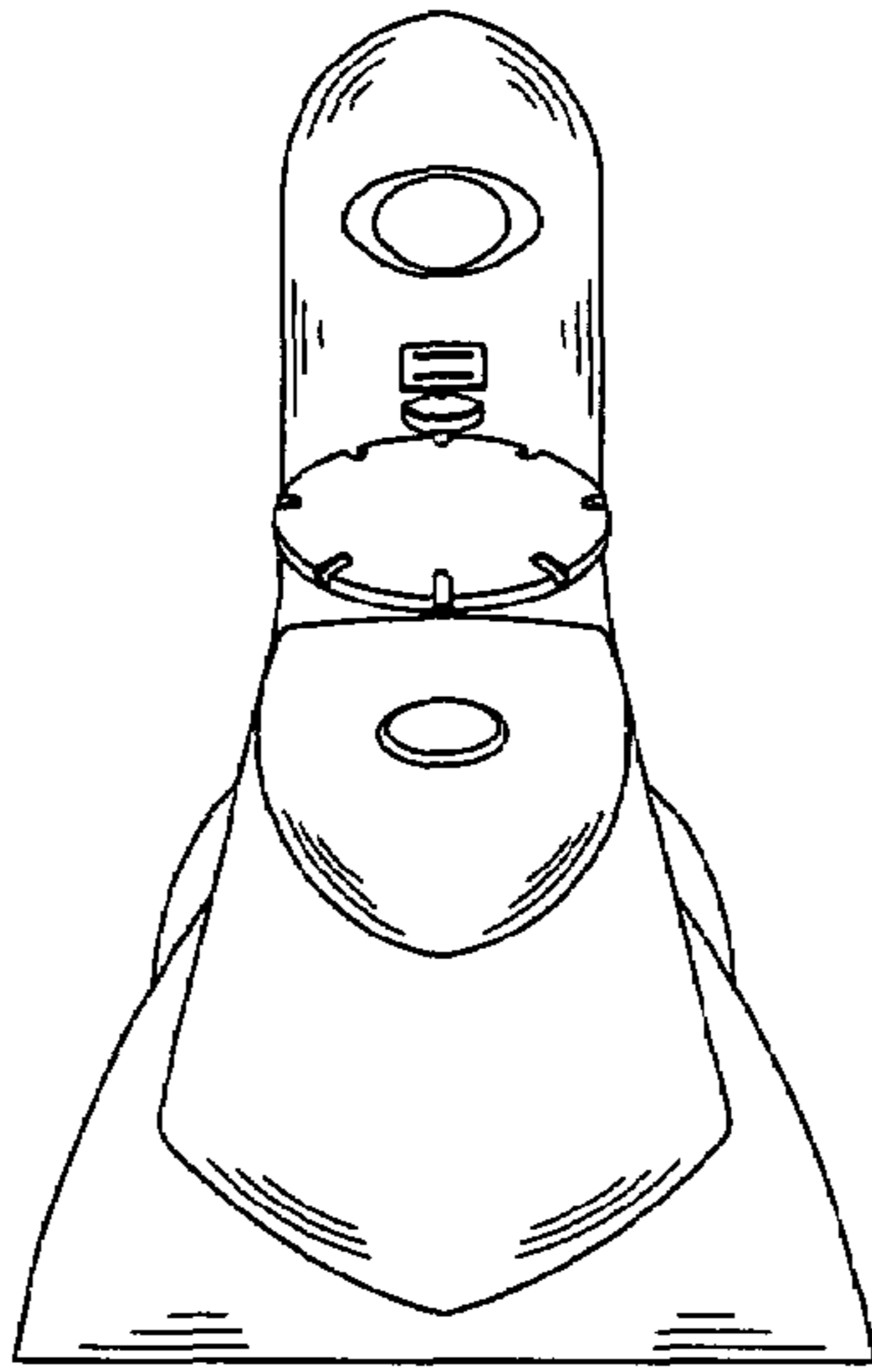


FIG. 1

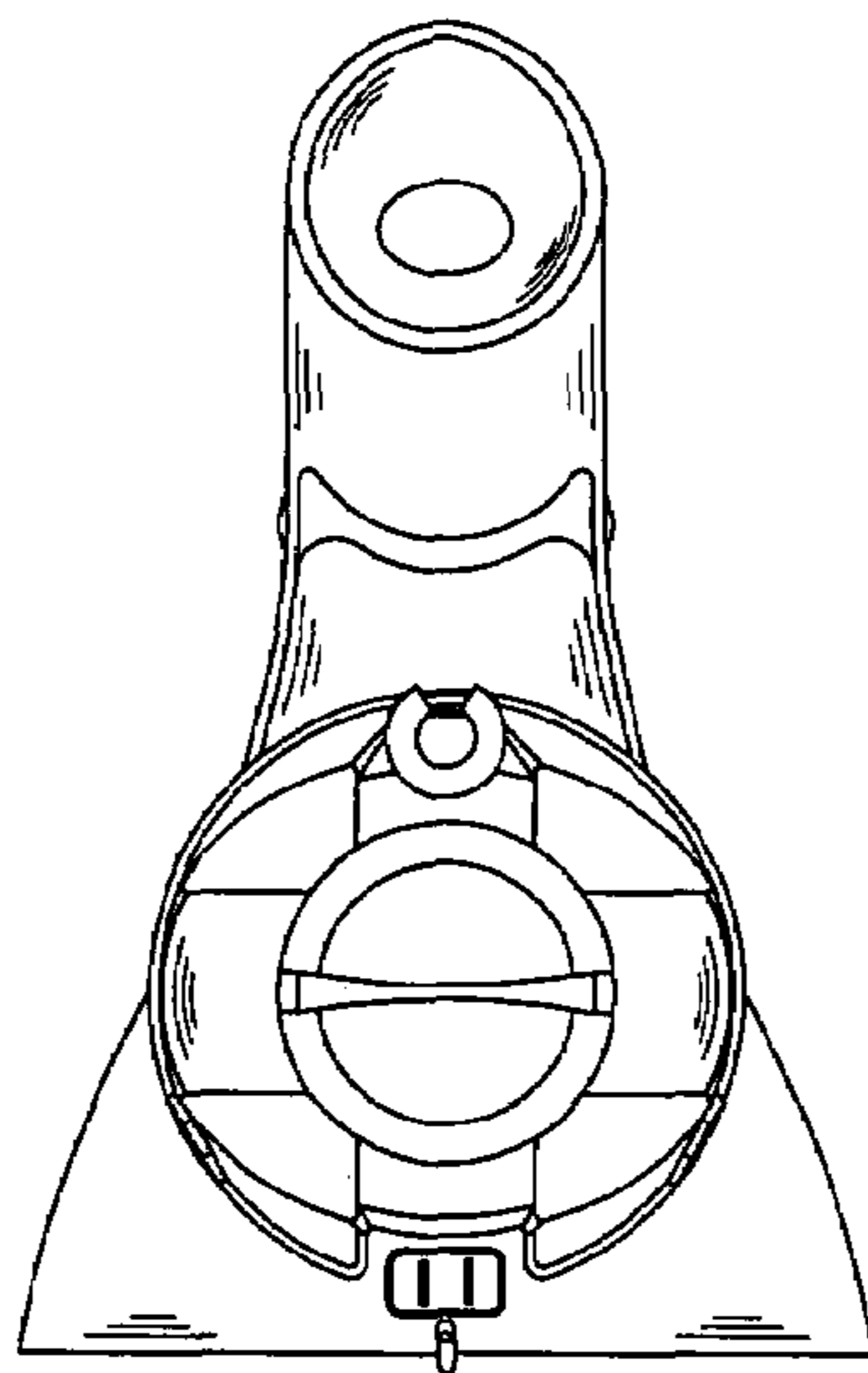


FIG. 2

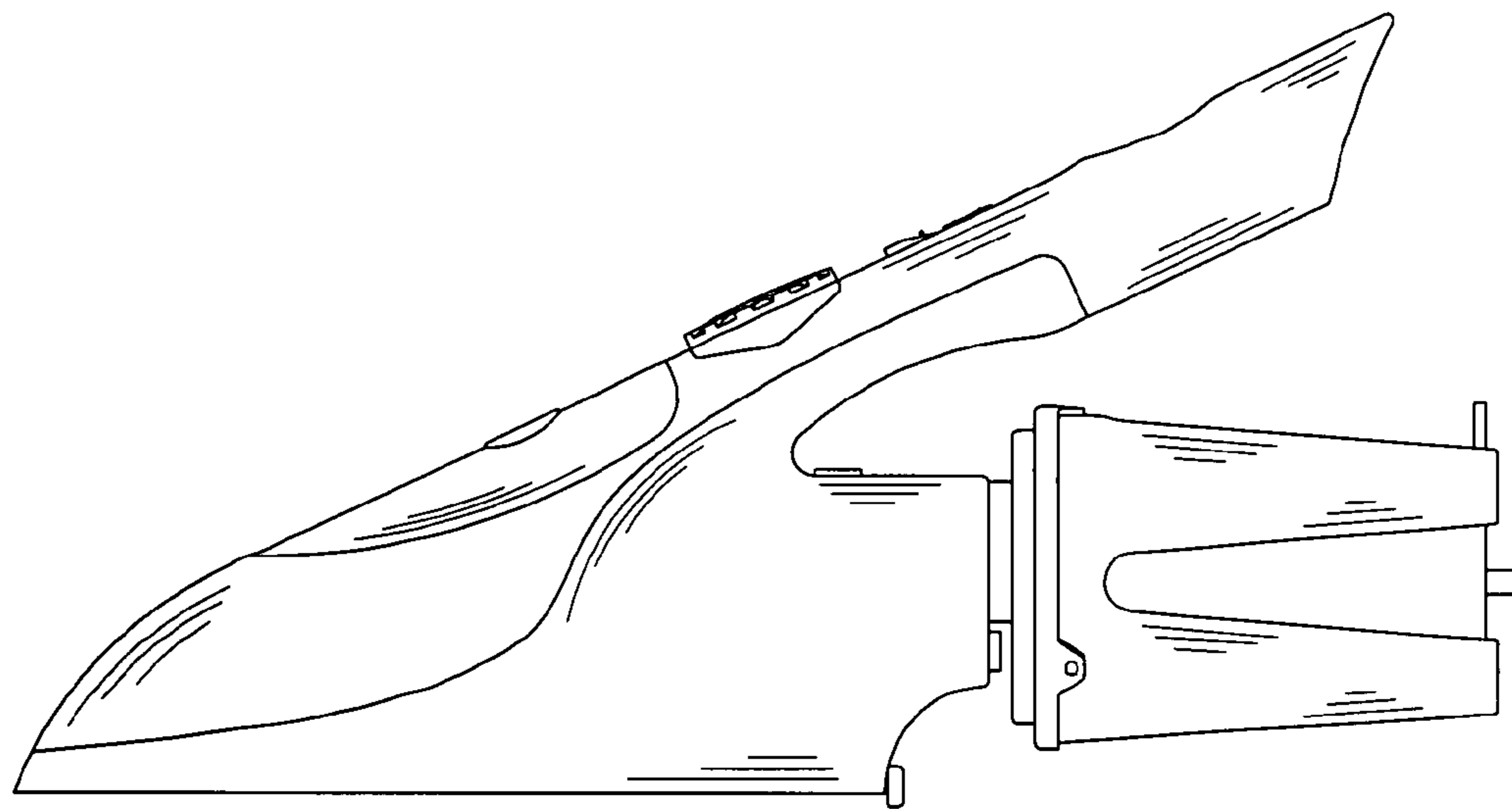


FIG. 3

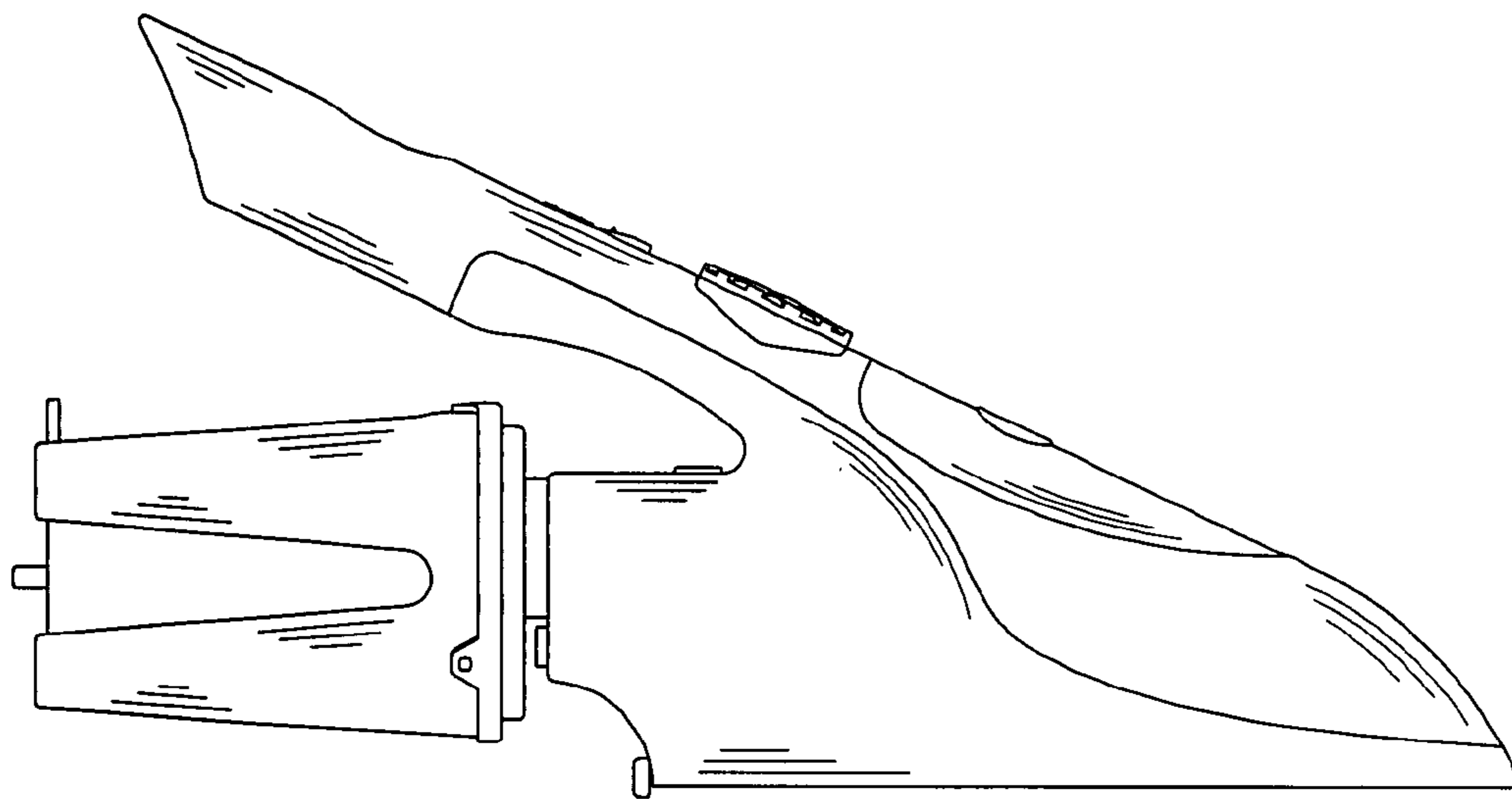


FIG. 4

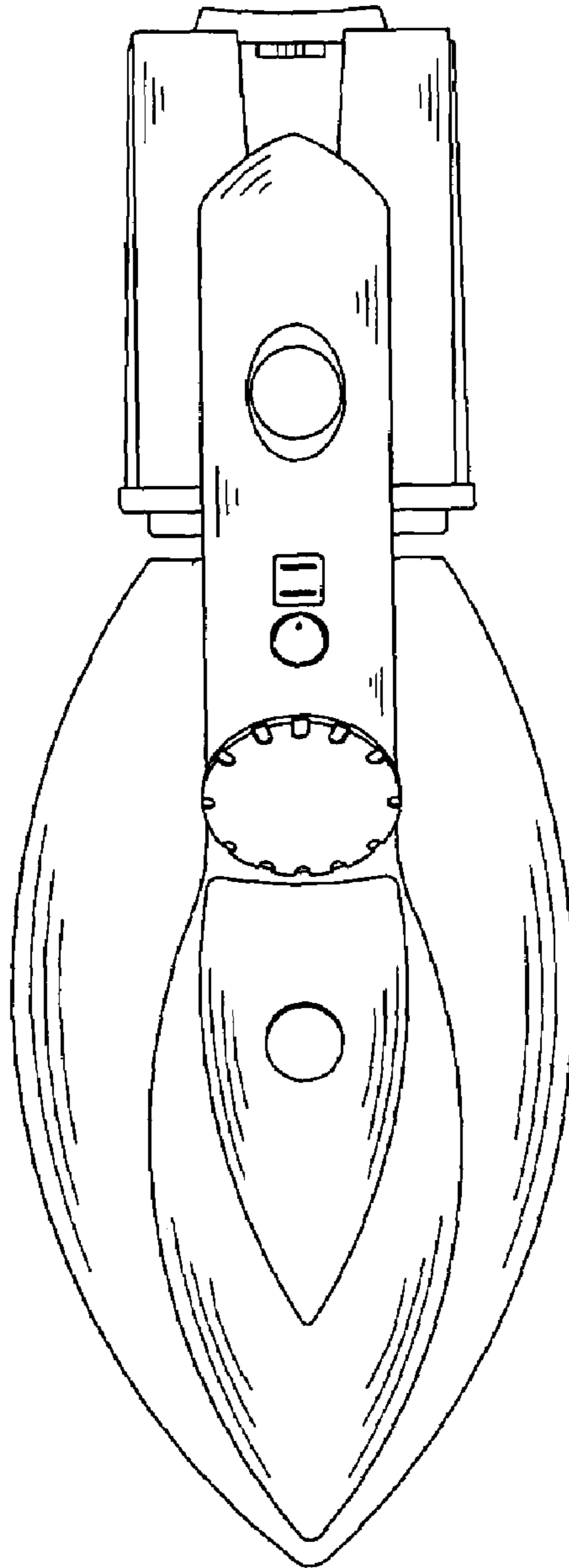


FIG. 5

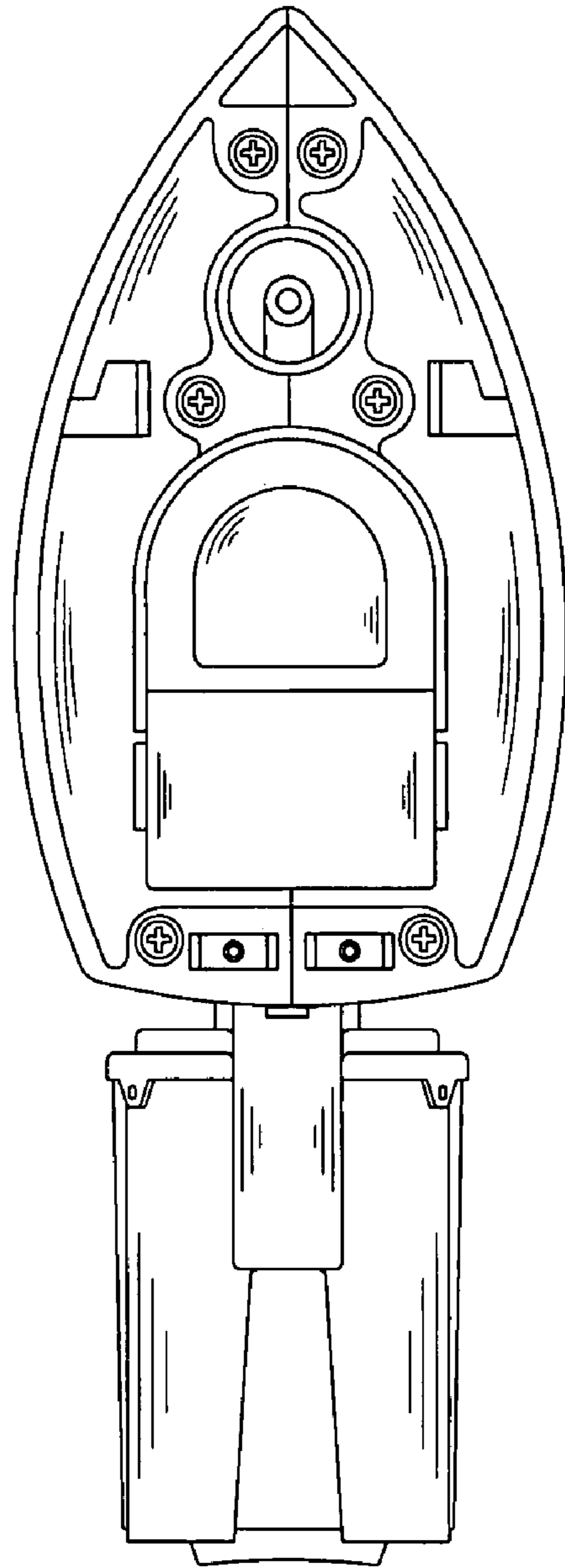


FIG. 6

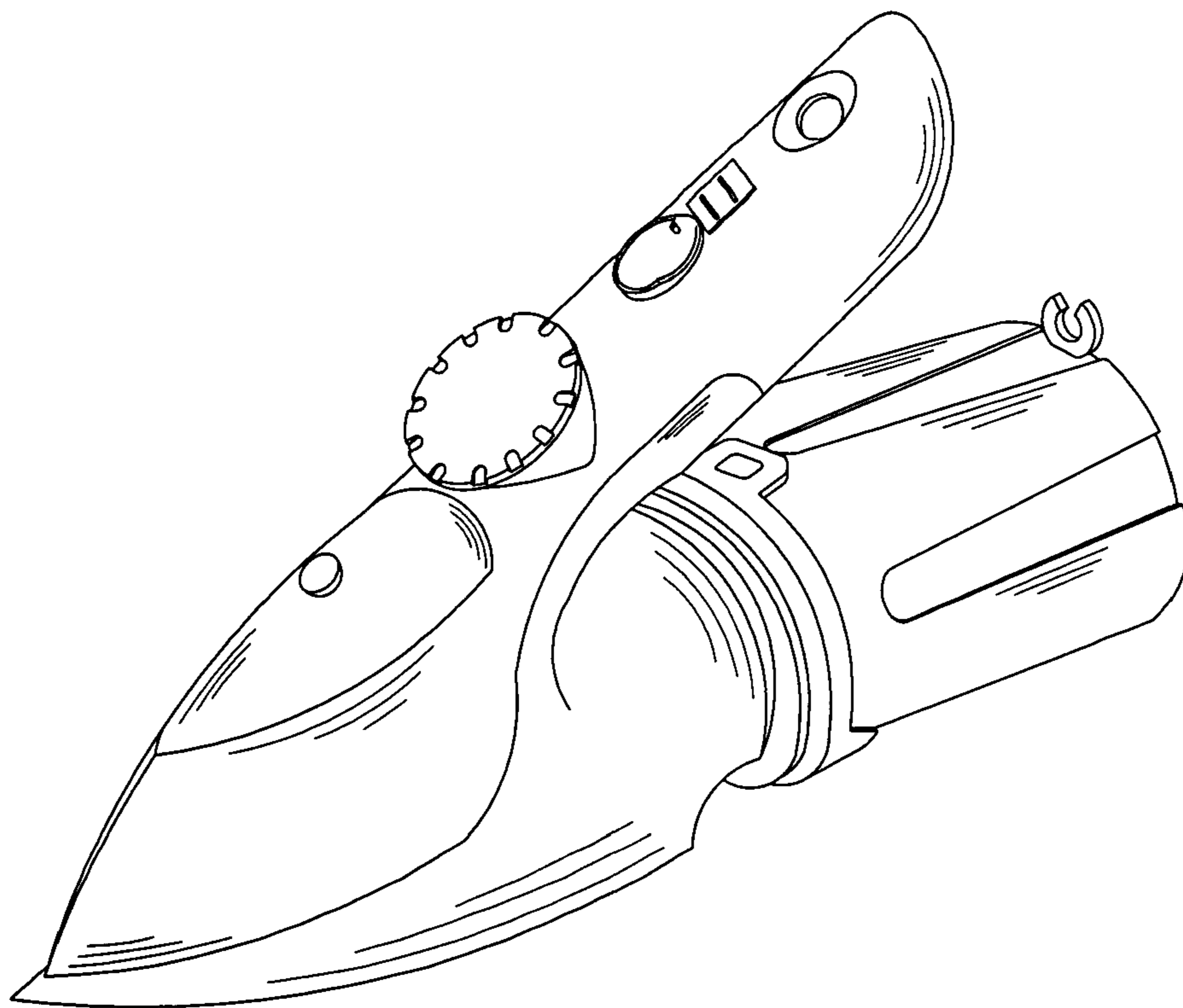


FIG. 7