



US00D552316S

(12) **United States Design Patent**  
**Bloch et al.**

(10) **Patent No.:** **US D552,316 S**  
(45) **Date of Patent:** **\*\* Oct. 2, 2007**

(54) **LOTTERY TICKET SCRAPER**

(57) **CLAIM**

(76) Inventors: **Jerald Bloch**, 22030 Queen St., Castro Valley, CA (US) 94520-6520; **Winston D. Di Russo**, 1304 Elgin St., San Leandro, CA (US) 94578

We claim the ornamental design for lottery ticket scraper, as shown and described.

(\*\*) Term: **14 Years**

**DESCRIPTION**

(21) Appl. No.: **29/243,740**

FIG. 1 is a perspective view of the lottery ticket scraper that shows our design;

(22) Filed: **Nov. 29, 2005**

FIG. 2 is a top plan view thereof;

(51) **LOC (8) Cl.** ..... **08-05**

(52) **U.S. Cl.** ..... **D32/46**

(58) **Field of Classification Search** ..... D32/40, D32/46; D8/14; 15/236.01, 236.02, 164.9, 15/169, 236.05; 134/6

FIG. 3 is a bottom plan view thereof;

FIG. 4 is a side elevation view thereof wherein the opposite side elevation view is identical;

See application file for complete search history.

FIG. 5 is a front elevation view thereof;

FIG. 6 is a rear elevation view thereof;

(56) **References Cited**

**U.S. PATENT DOCUMENTS**

- D302,880 S \* 8/1989 Terry ..... D32/46
- D312,155 S \* 11/1990 Saunders ..... D32/46
- D377,250 S \* 1/1997 Bafle et al. .... D32/46
- 5,653,818 A \* 8/1997 Genardi ..... 134/6
- D434,888 S \* 12/2000 Hendricks ..... D32/46

FIG. 7 is a side sectional view thereof taken along the line 7—7 of FIG. 2;

FIG. 8 is a perspective view of an alternative embodiment of our lottery ticket scraper that shows the design;

FIG. 9 is a top plan view thereof;

FIG. 10 is a bottom plan view thereof;

FIG. 11 is a side elevation view thereof wherein the opposite side elevation view is identical;

FIG. 12 is a front elevation view thereof;

FIG. 13 is a rear elevation view thereof; and,

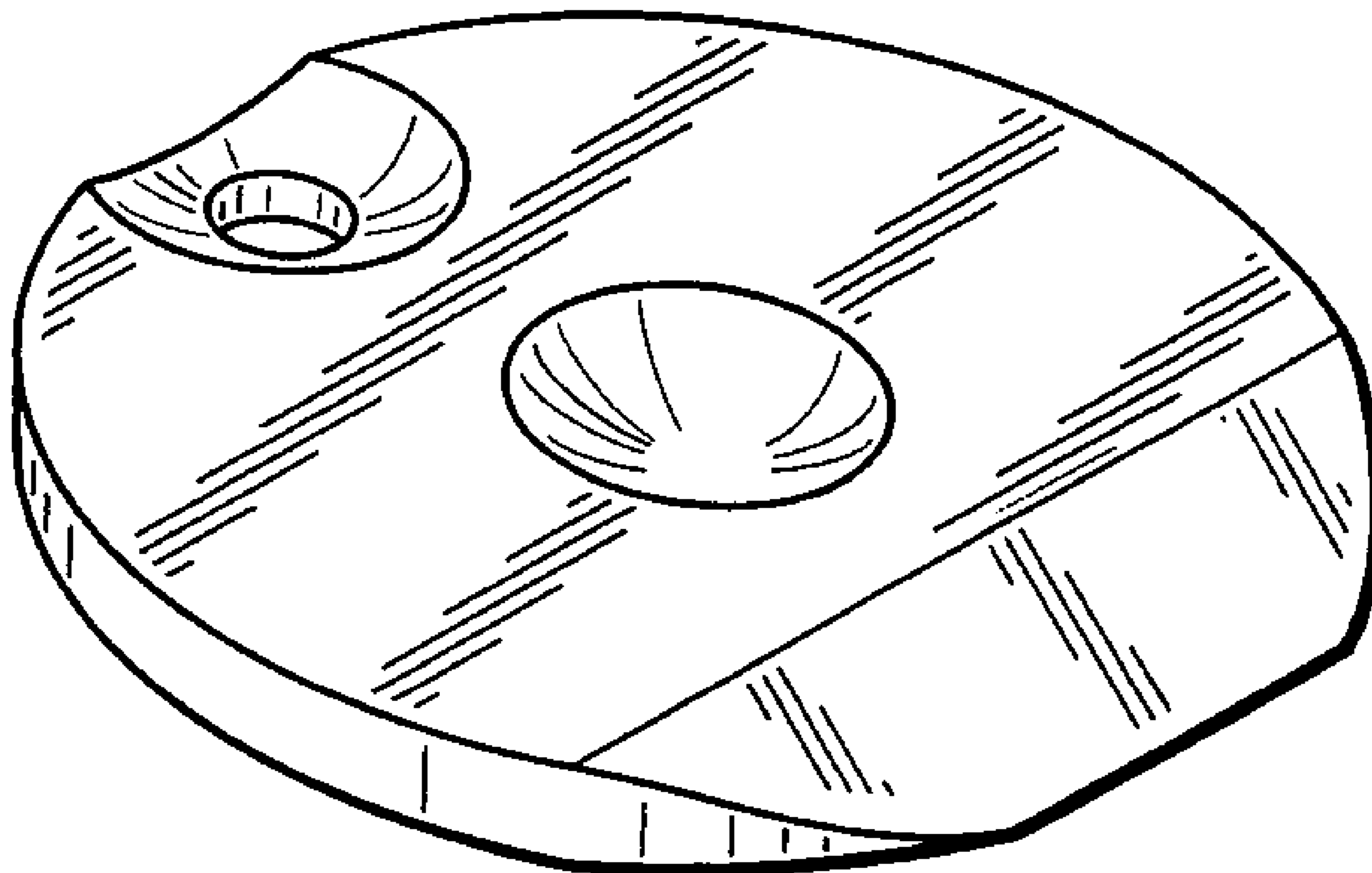
FIG. 14 is a side sectional view thereof taken along the line 14—14 of FIG. 9.

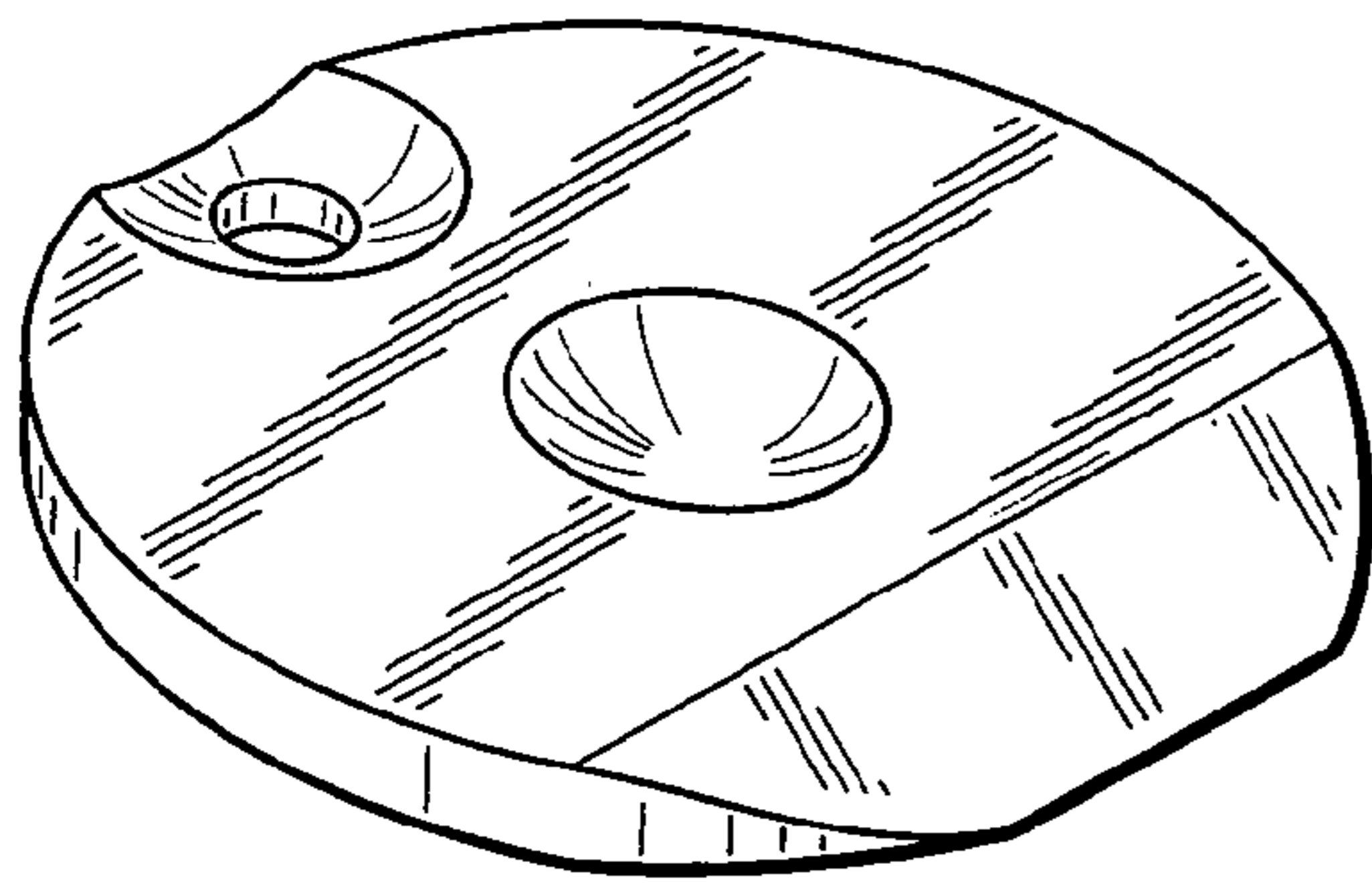
\* cited by examiner

*Primary Examiner*—Pamela J. Burgess

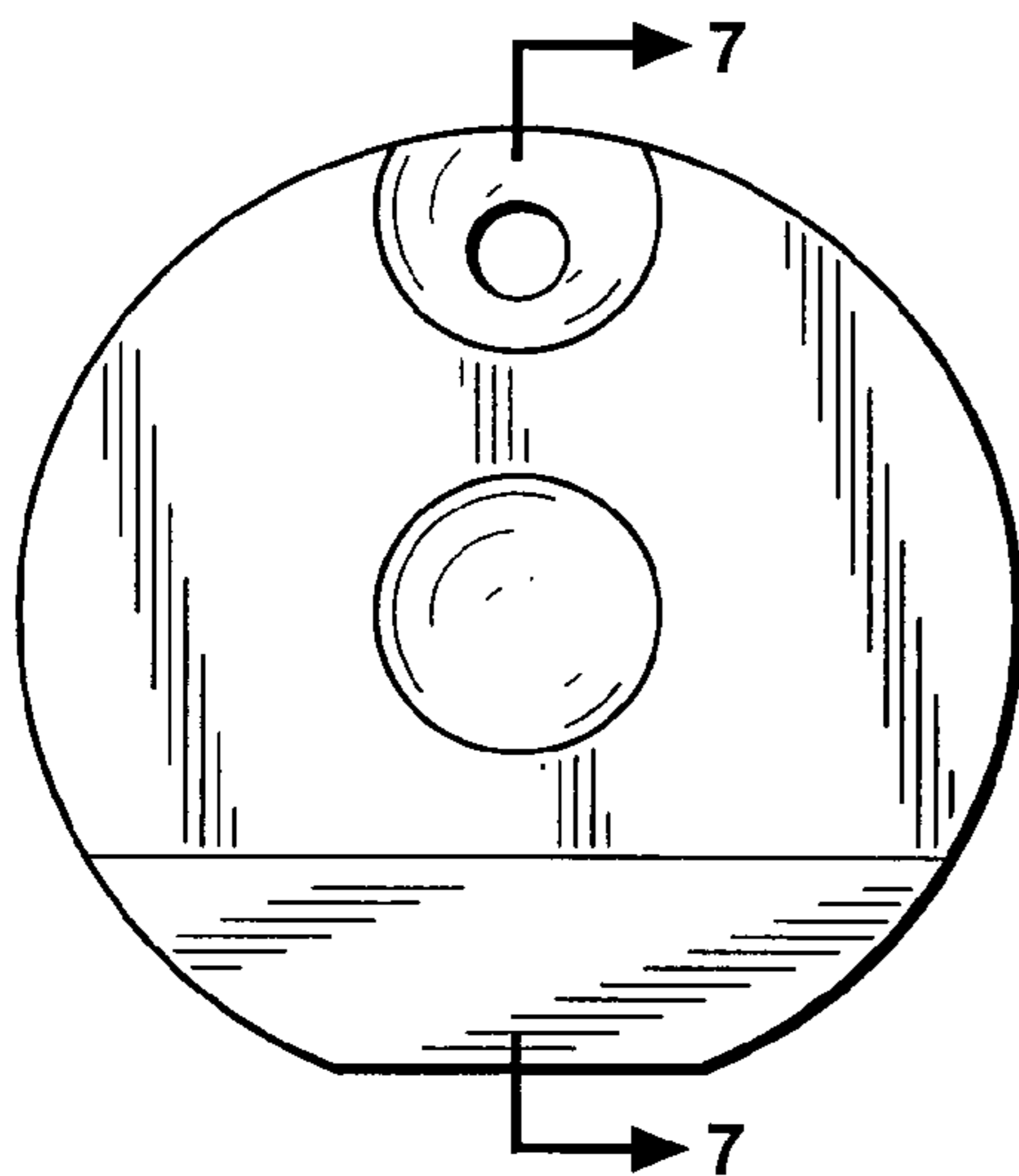
(74) *Attorney, Agent, or Firm*—H. Michael Brucker

**1 Claim, 2 Drawing Sheets**

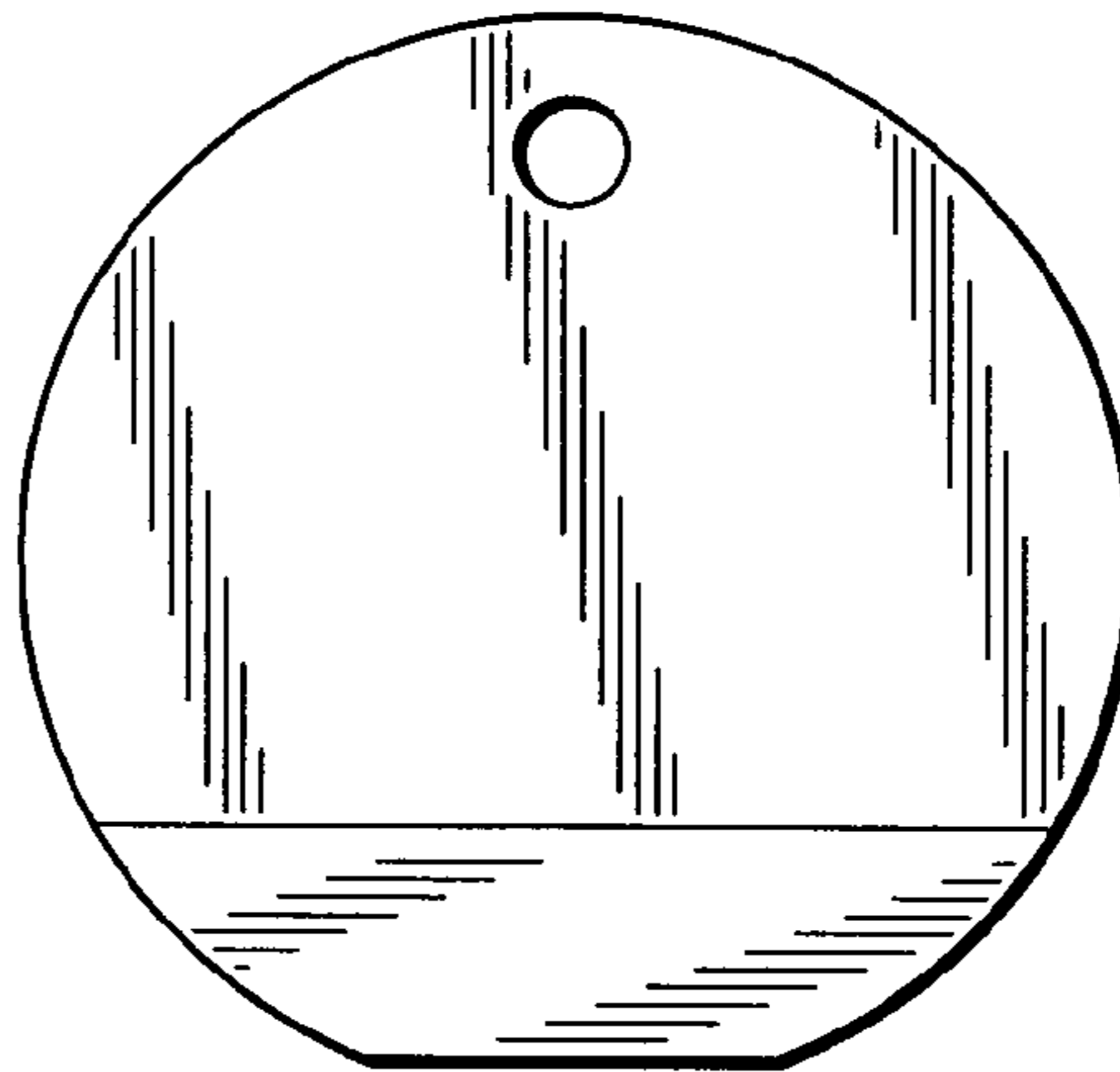




**FIG. 1**



**FIG. 2**



**FIG. 3**



**FIG. 4**



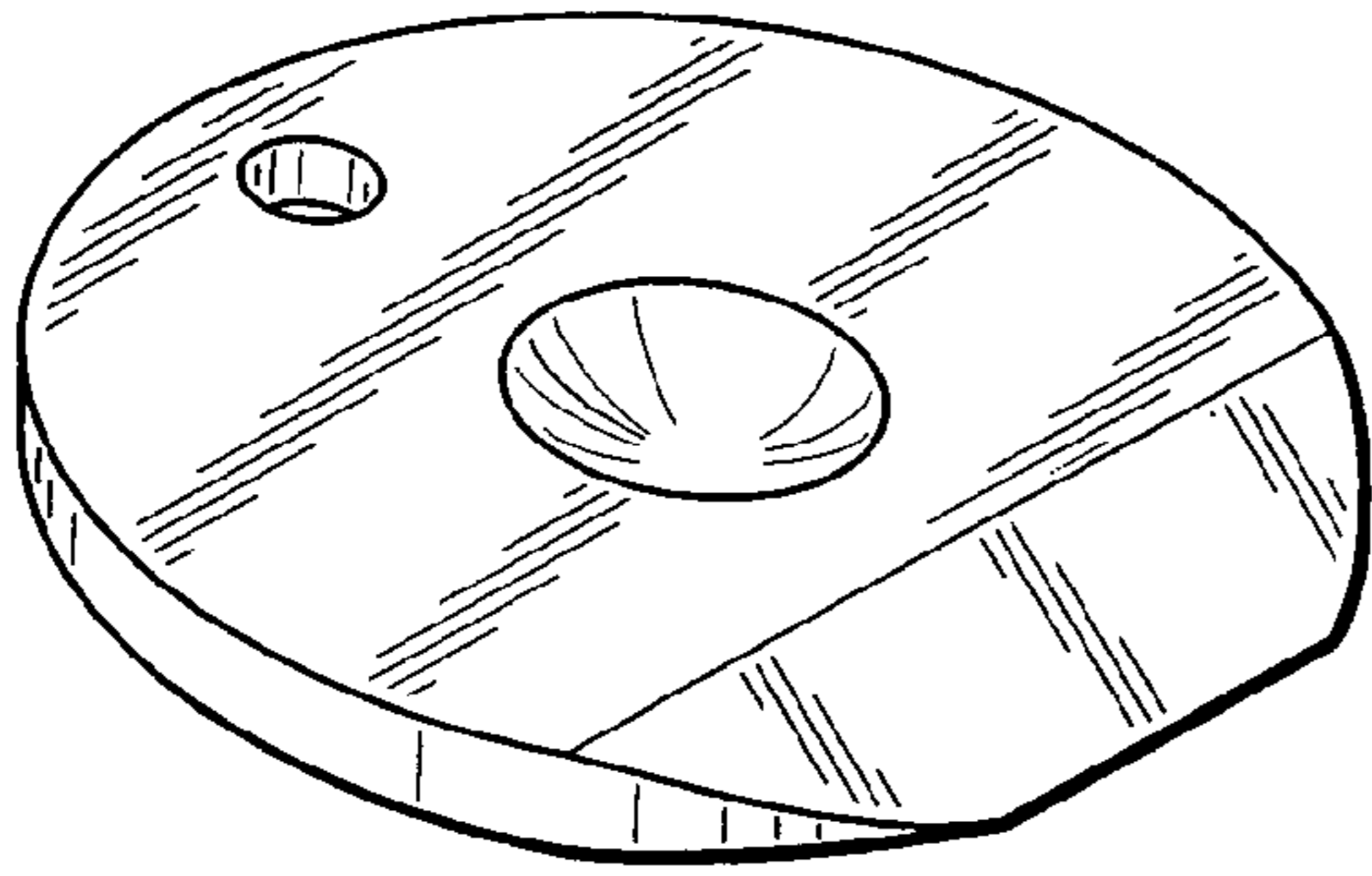
**FIG. 5**



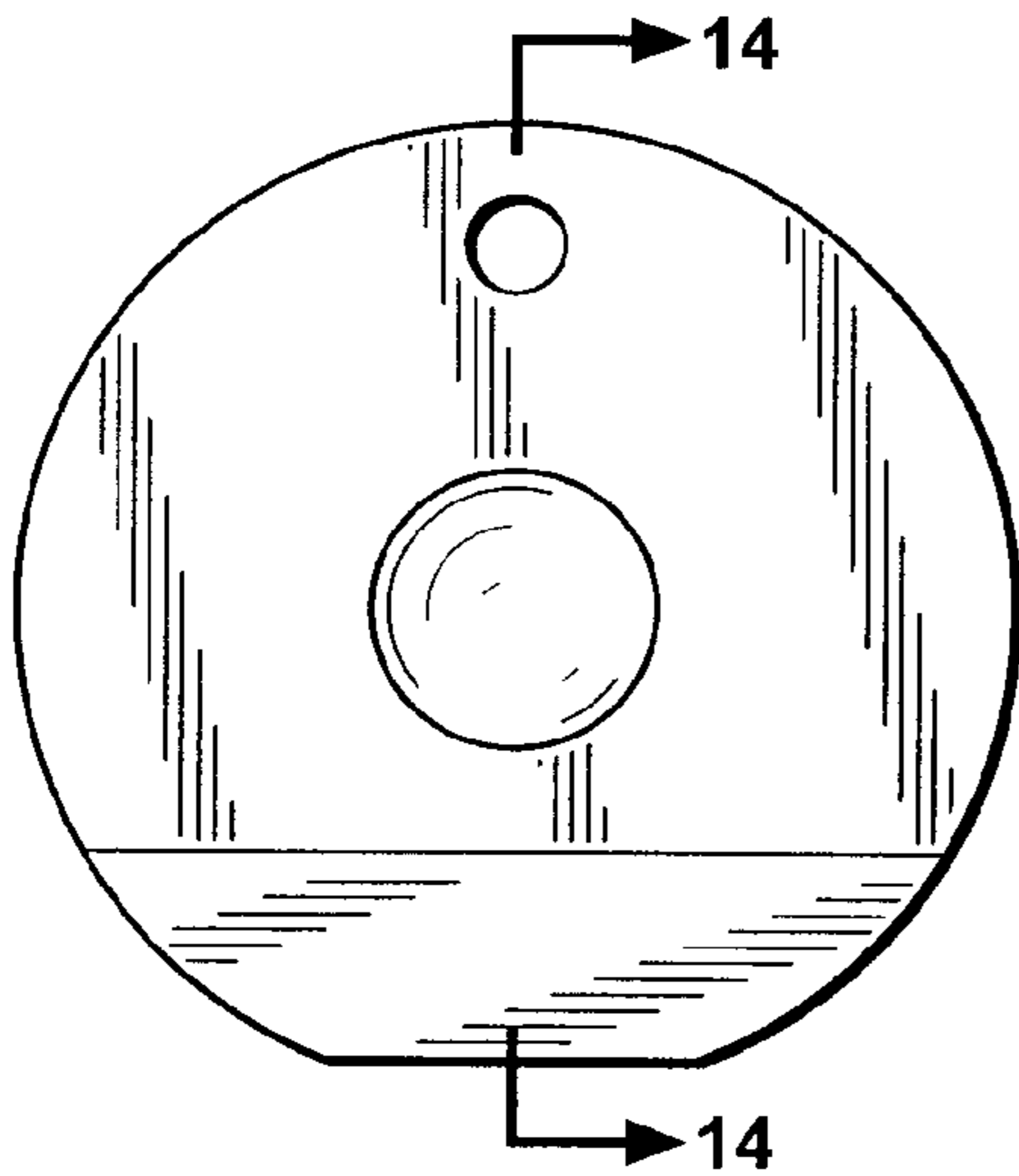
**FIG. 6**



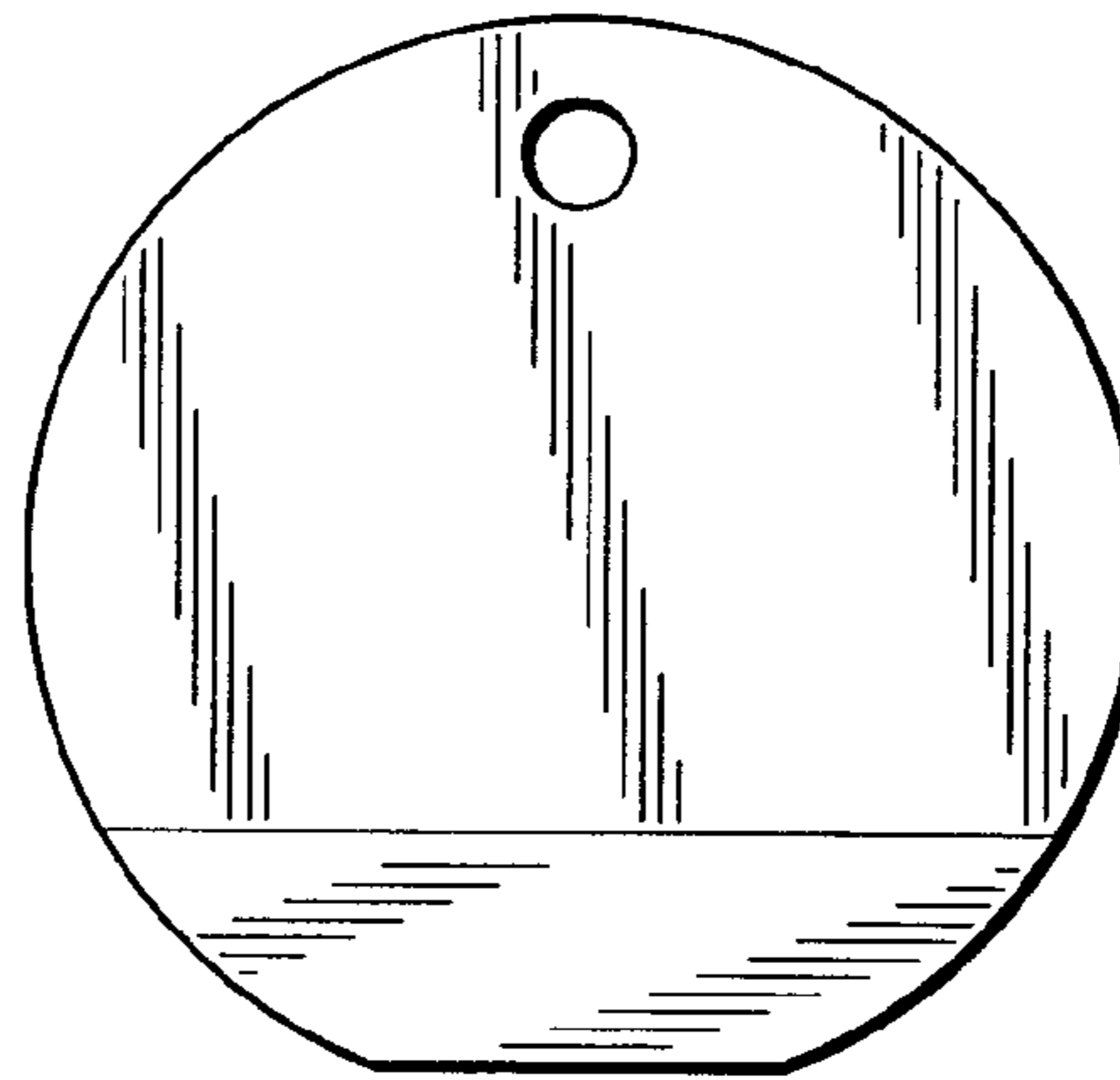
**FIG. 7**



**FIG. 8**



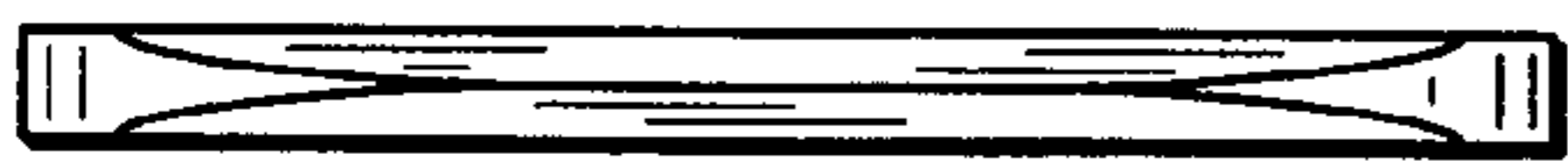
**FIG. 9**



**FIG. 10**



**FIG. 11**



**FIG. 12**



**FIG. 13**



**FIG. 14**