



US00D552311S

(12) **United States Design Patent**
Schroeter

(10) **Patent No.:** **US D552,311 S**

(45) **Date of Patent:** **** Oct. 2, 2007**

(54) **LOADING STATION**

(75) Inventor: **Joerg Schroeter**, Groebenzell (DE)

(73) Assignee: **BSH Bosch und Siemens Hausgeraete GmbH**, Munich (DE)

(**) Term: **14 Years**

(21) Appl. No.: **29/254,807**

(22) Filed: **Feb. 27, 2006**

(30) **Foreign Application Priority Data**

Aug. 29, 2005 (EM) 000401401

(51) **LOC (8) Cl.** **15-05**

(52) **U.S. Cl.** **D32/31**

(58) **Field of Classification Search** D32/21,
D32/23-25, 28, 31; 15/319-320, 327.1,
15/327.2, 327.6, 327.7, 358, 340.1; 901/1,
901/46-47; 700/245, 258-261; 318/568.12,
318/587; 180/167-168, 169, 204, 274; 701/23,
701/300

See application file for complete search history.

(56) **References Cited**

U.S. PATENT DOCUMENTS

D307,415 S * 4/1990 Holmer et al. D13/164
6,142,252 A * 11/2000 Kinto et al. 180/204

6,493,613 B2 * 12/2002 Peless et al. 701/23
6,532,404 B2 * 3/2003 Colens 700/262
7,031,805 B2 * 4/2006 Lee et al. 700/245
D526,753 S * 8/2006 Tani et al. D32/21
2006/0085105 A1 * 4/2006 Chiu et al. 701/23
2006/0238159 A1 * 10/2006 Jung 318/587

* cited by examiner

Primary Examiner—Ruth McInroy

(74) *Attorney, Agent, or Firm*—Russell W. Warnock; Craig J. Loest

(57) **CLAIM**

The ornamental design for a loading station, as shown and described.

DESCRIPTION

FIG. 1 is a perspective view of a loading station showing my new design;

FIG. 2 is a left view thereof;

FIG. 3 is a right view thereof;

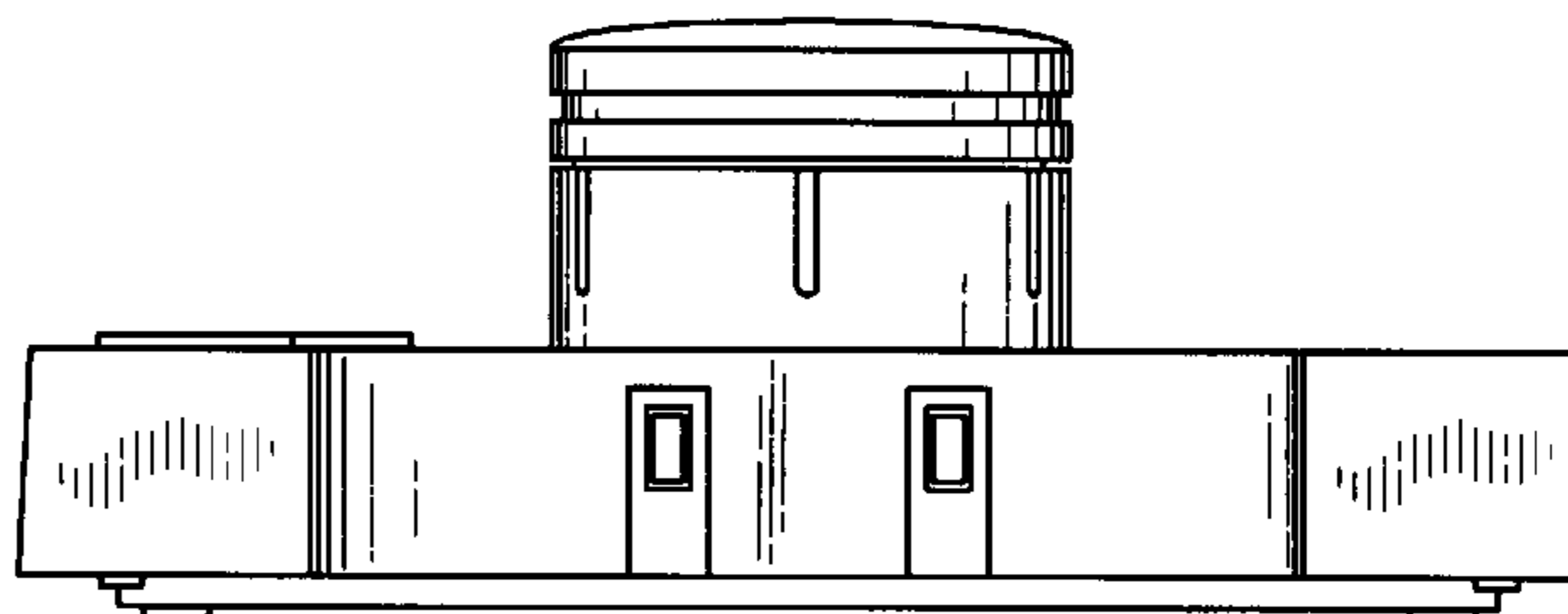
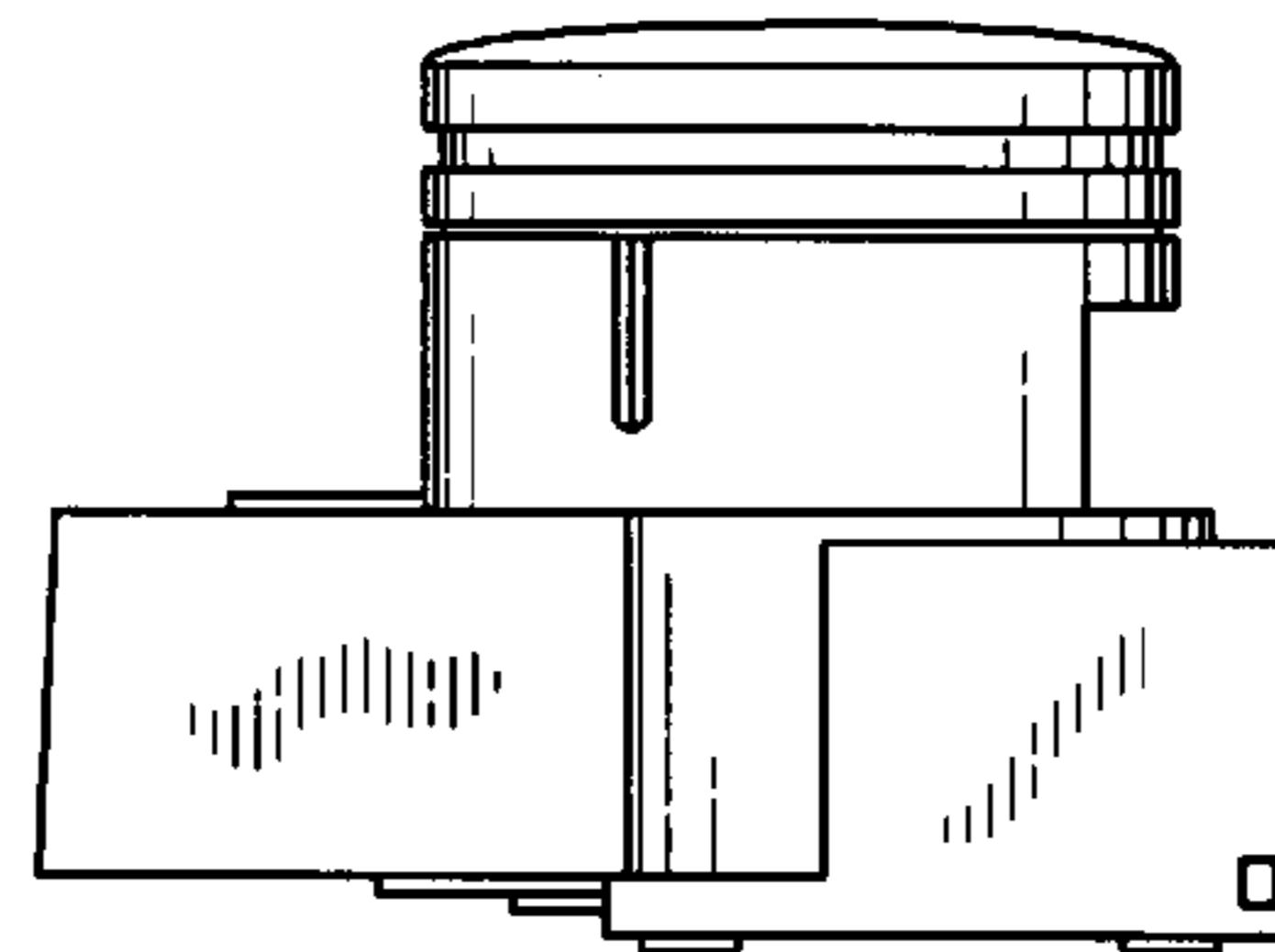
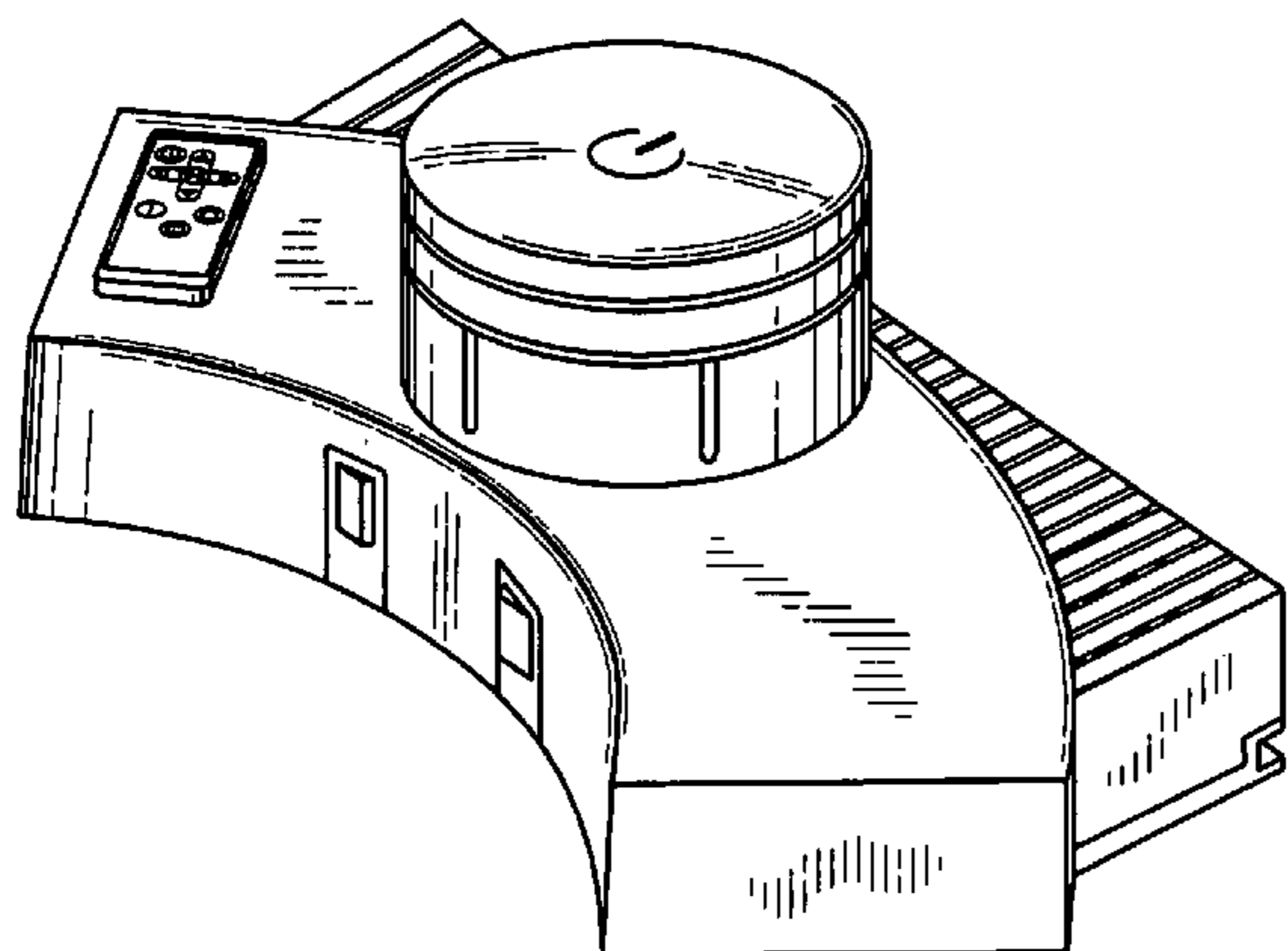
FIG. 4 is a front view thereof;

FIG. 5 is a rear view thereof;

FIG. 6 is a top view thereof; and,

FIG. 7 is a bottom view thereof.

1 Claim, 4 Drawing Sheets



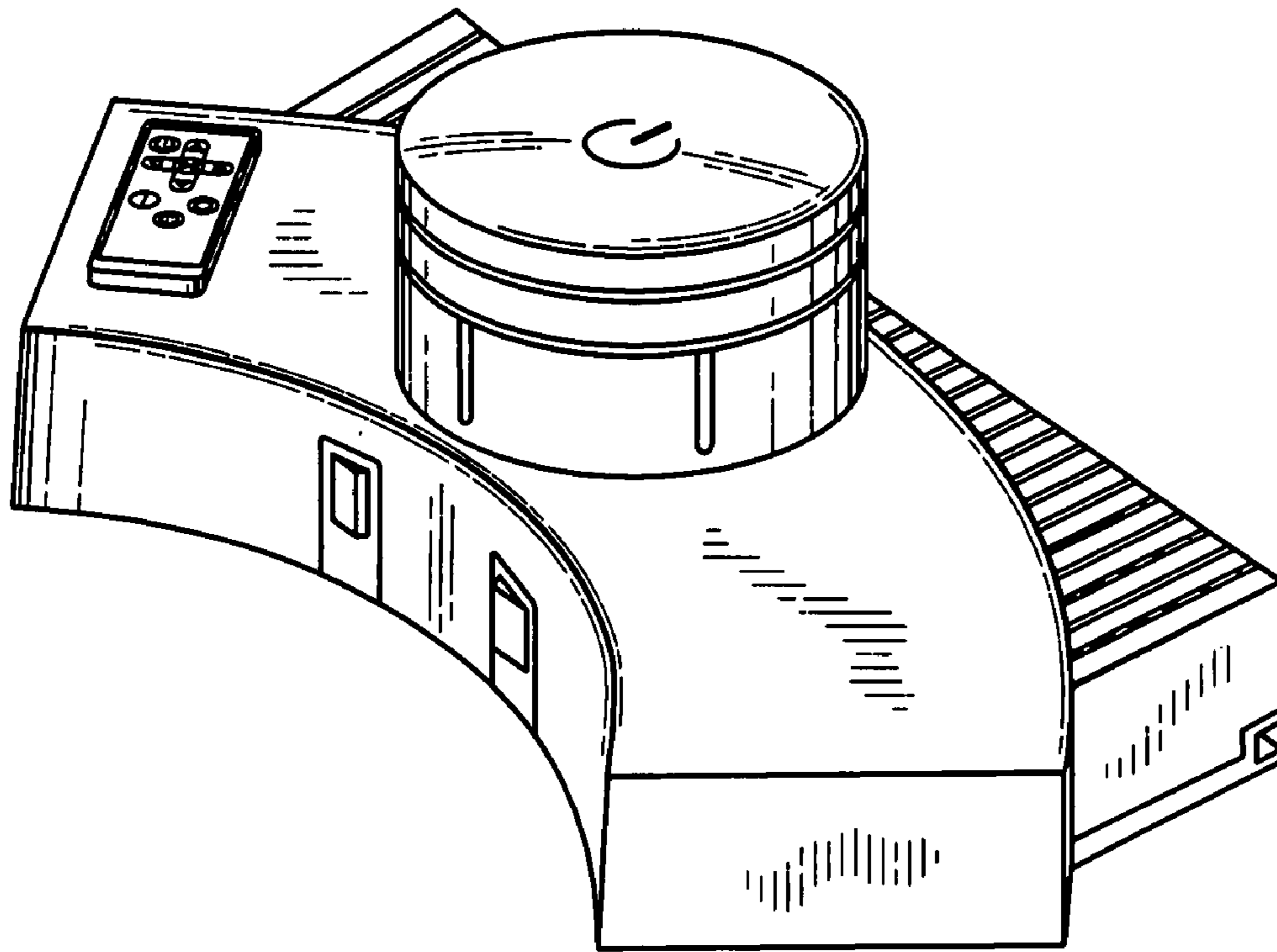


FIG. 1

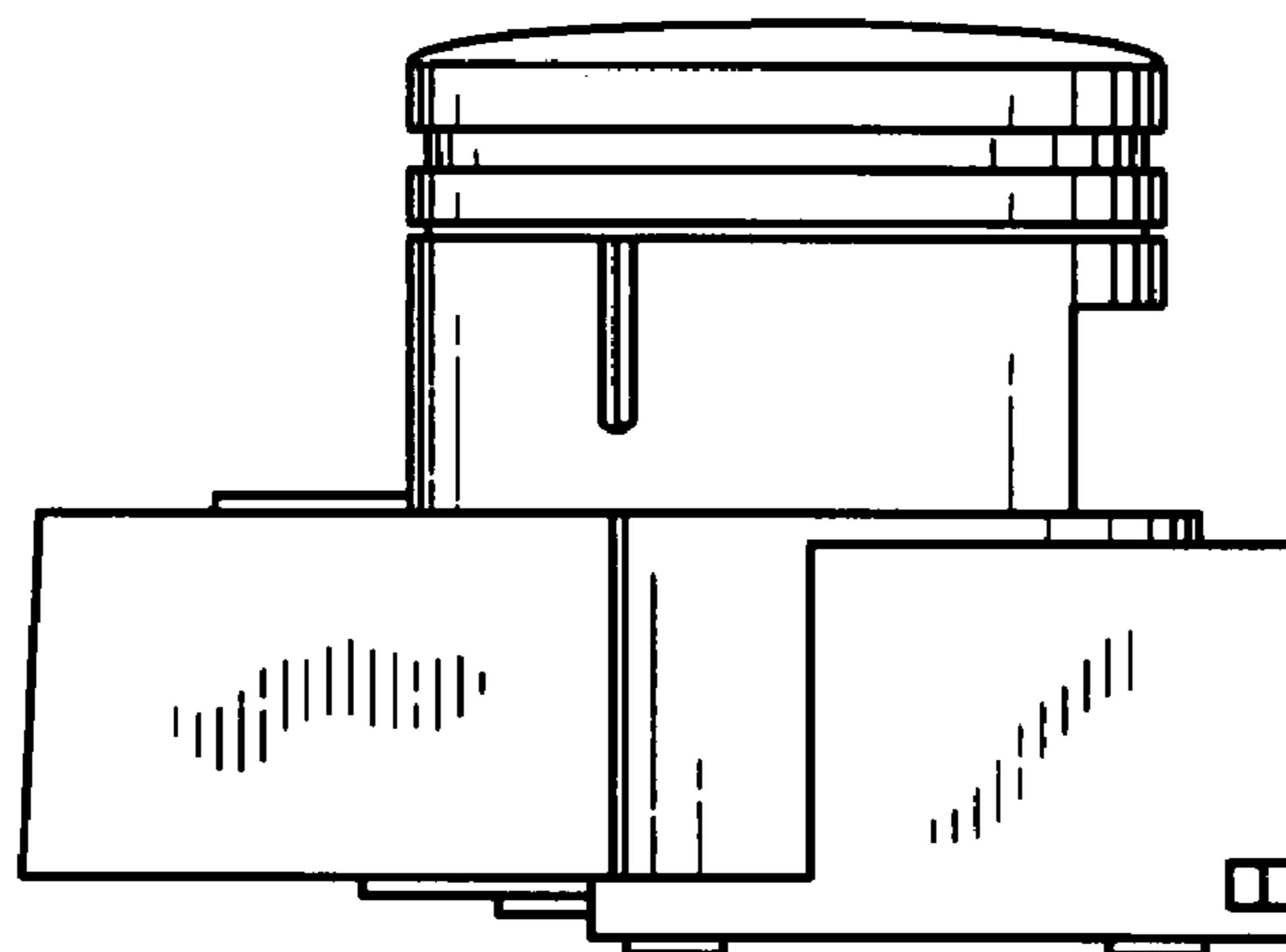


FIG. 2

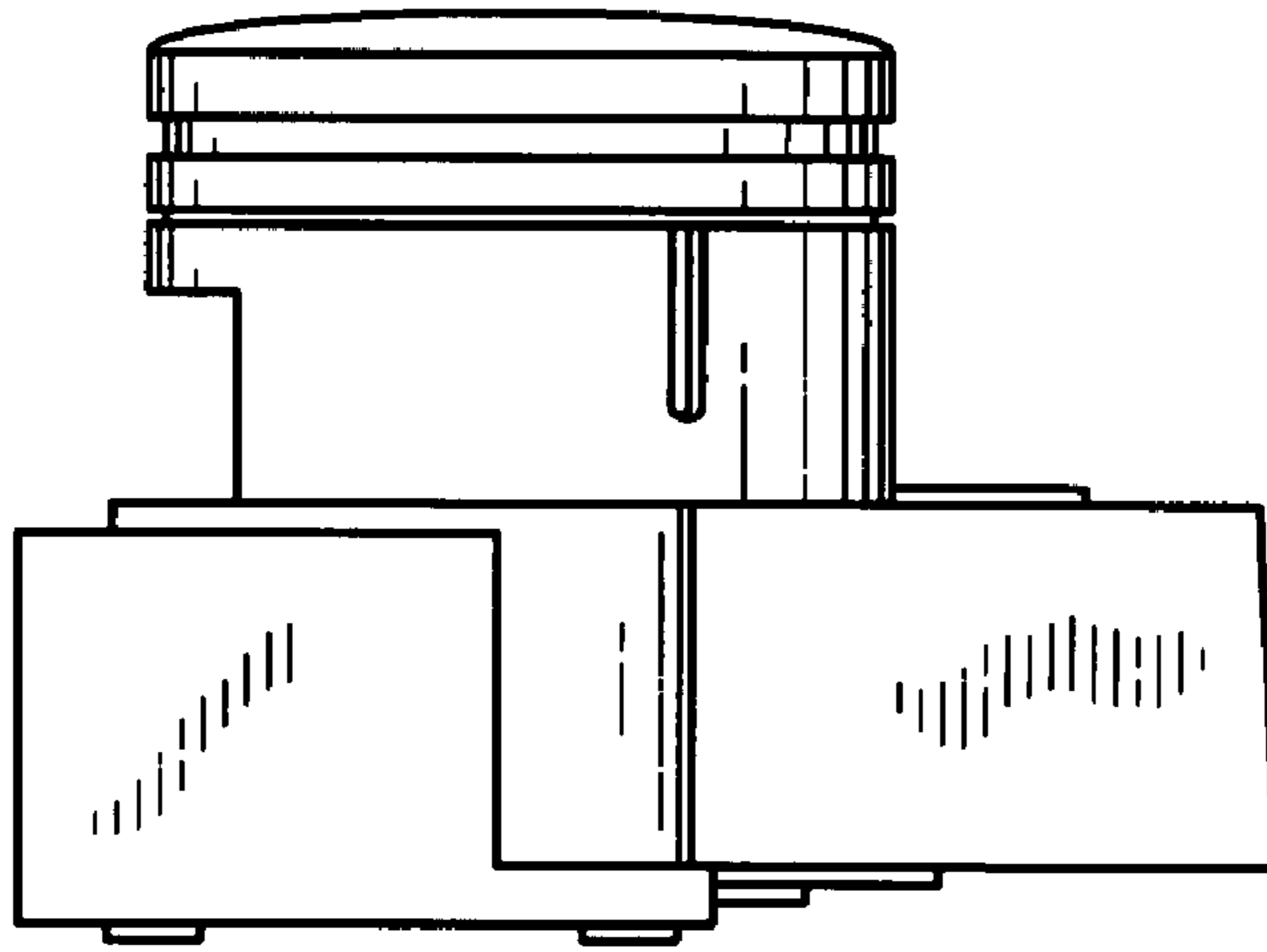


FIG. 3

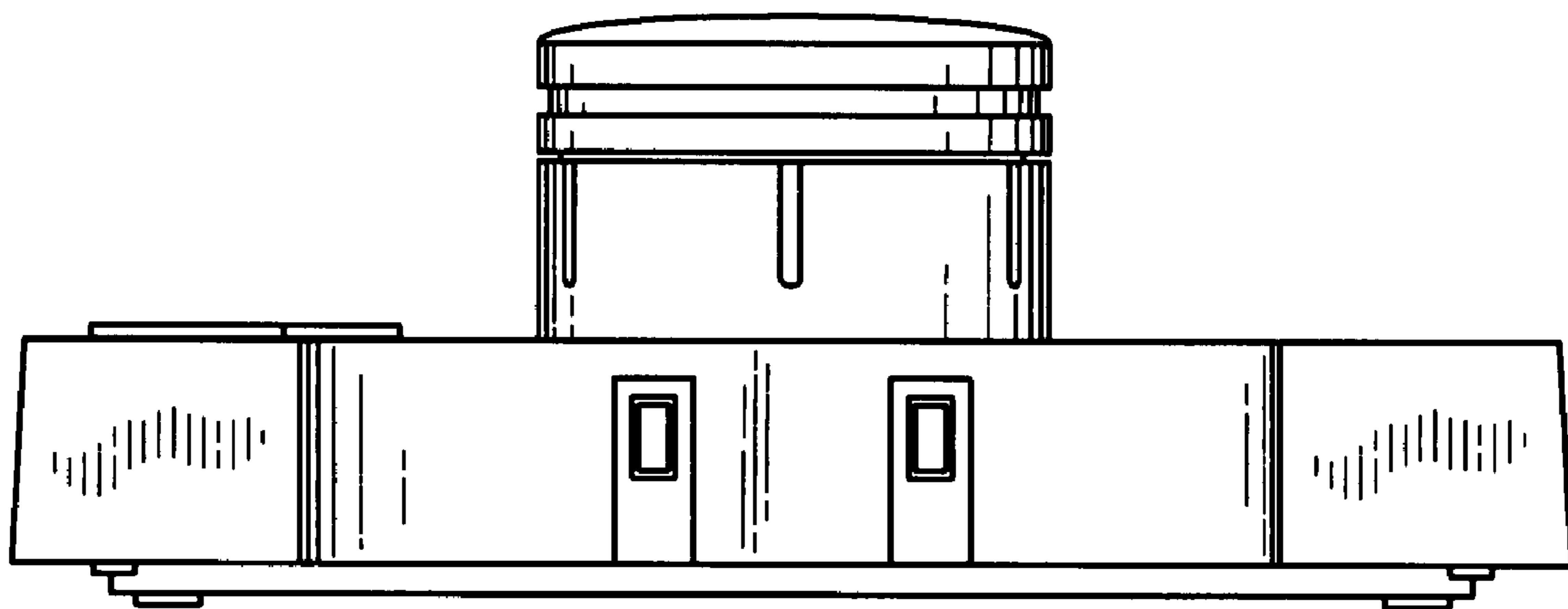


FIG. 4

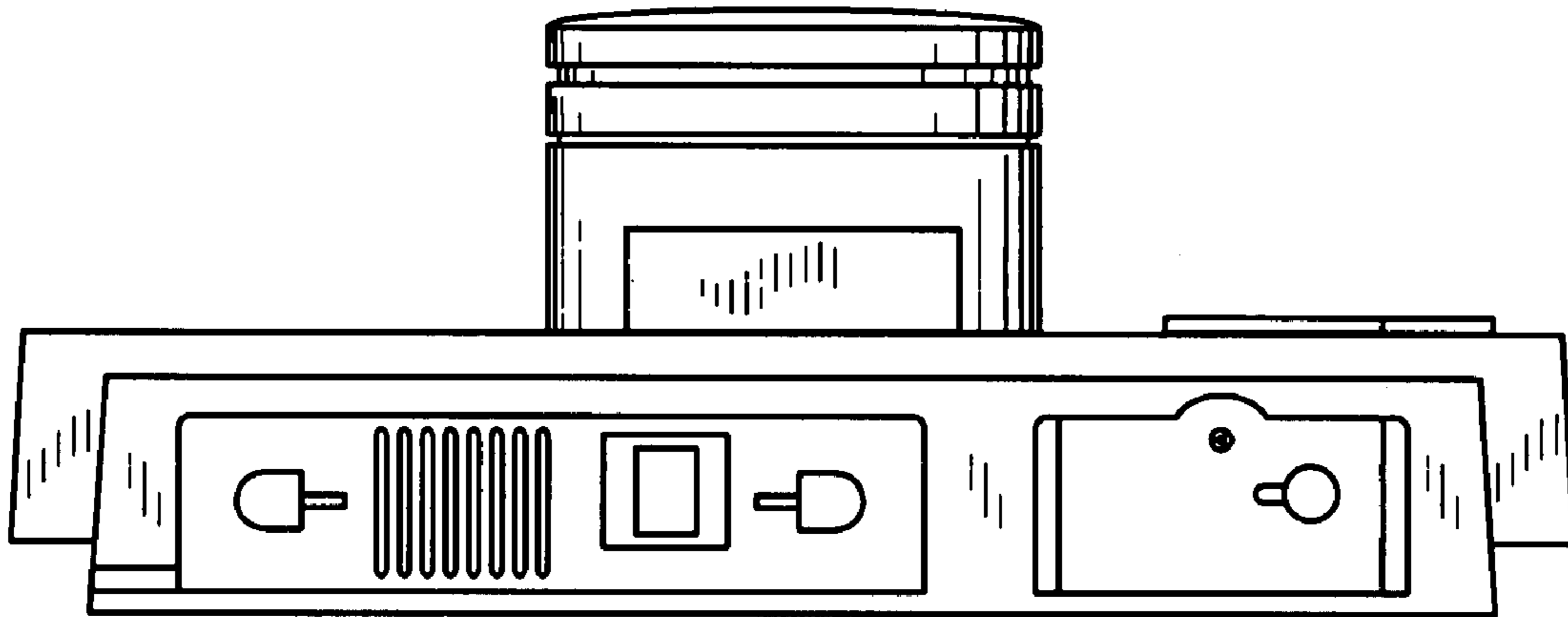


FIG. 5

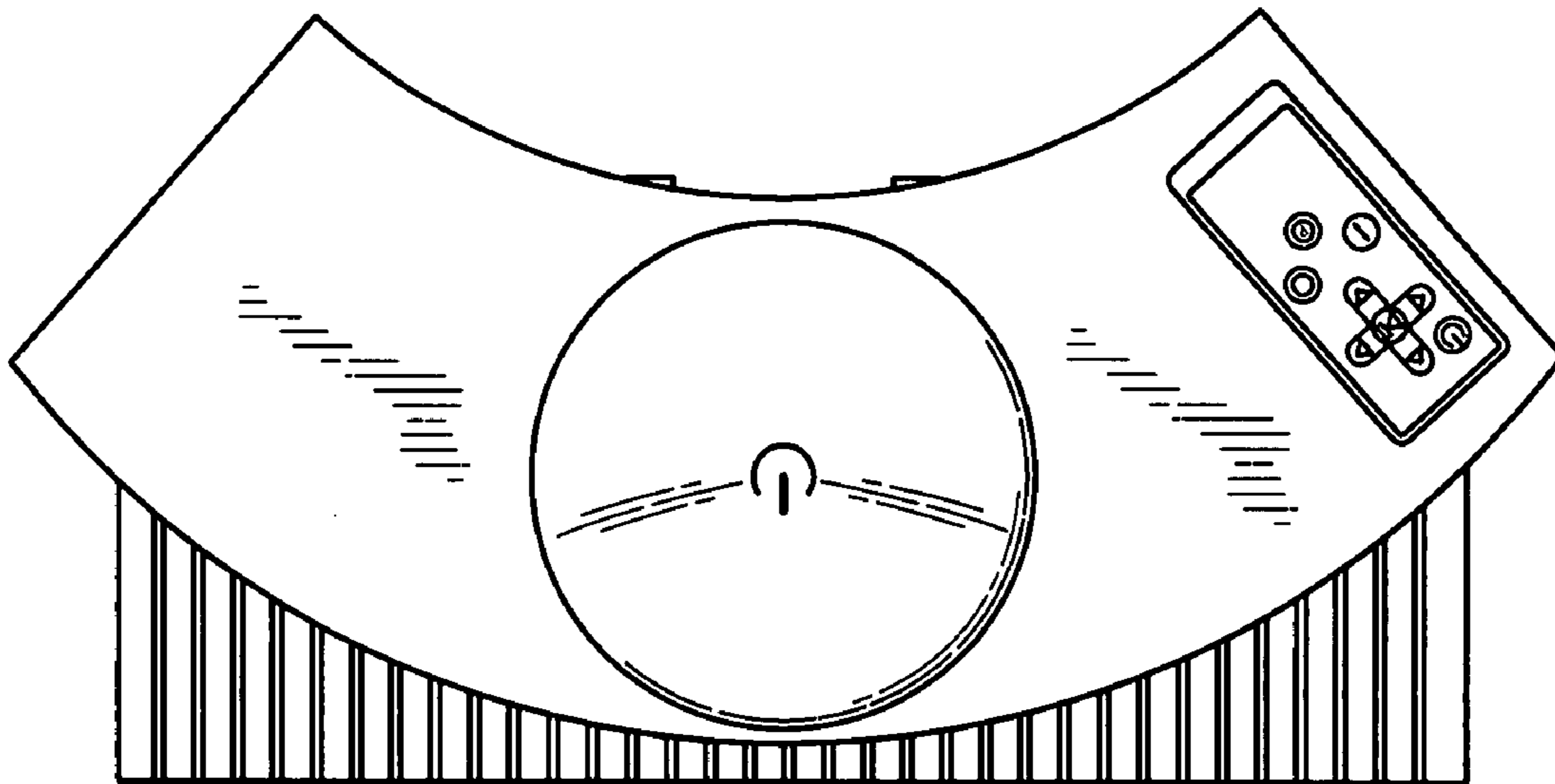


FIG. 6

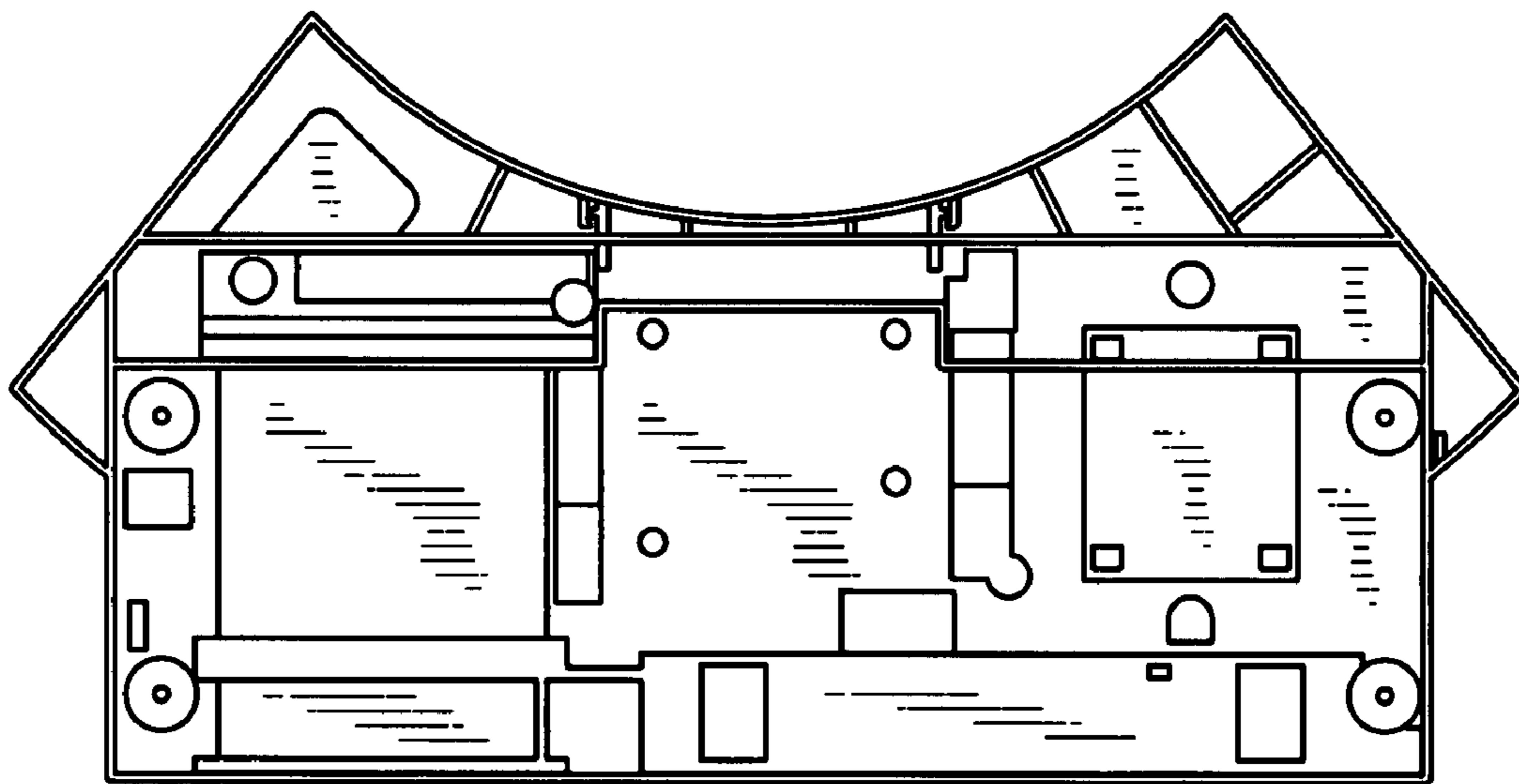


FIG. 7