



US00D552309S

(12) **United States Design Patent**  
**Houghton**

(10) **Patent No.:** **US D552,309 S**

(45) **Date of Patent:** **\*\* Oct. 2, 2007**

(54) **HANDHELD VACUUM CLEANER**

(57) **CLAIM**

(75) Inventor: **Stephen Houghton**, Newcastle Upon Tyne (GB)

We claim the ornamental design for a handheld vacuum cleaner, as shown and described.

(73) Assignee: **Black & Decker Inc.**, Newark, DE (US)

**DESCRIPTION**

(\*\*) Term: **14 Years**

FIG. 1 is a perspective view of a handheld vacuum cleaner showing my new design;

(21) Appl. No.: **29/257,069**

FIG. 2 is a left side view of a handheld vacuum cleaner according to FIG. 1;

(22) Filed: **Mar. 29, 2006**

FIG. 3 is a right side view of a handheld vacuum cleaner according to FIG. 1;

(30) **Foreign Application Priority Data**

FIG. 4 is a top view of a handheld vacuum cleaner according to FIG. 1;

Oct. 31, 2005 (EM) ..... 000423322

FIG. 5 is a bottom view of a handheld vacuum cleaner according to FIG. 1;

(51) **LOC (8) Cl.** ..... **15-05**

(52) **U.S. Cl.** ..... **D32/18**

(58) **Field of Classification Search** ..... D32/17,  
D32/18, 21-22, 31; 15/1.52, 1.7, 4, 329,  
15/339, 344, 347, 351, 353, 361, 410-412,  
15/414, DIG. 1; 55/DIG. 3; D13/107-109,  
D13/119; 320/115

FIG. 6 is a front view of a handheld vacuum cleaner according to FIG. 1;

FIG. 7 is a rear view of a handheld vacuum cleaner according to FIG. 1;

See application file for complete search history.

FIG. 8 is a perspective view of a handheld vacuum cleaner of FIG. 1 with nose in an extended position;

FIG. 9 is a left side view of a handheld vacuum cleaner of FIG. 1 with nose in an extended position;

(56) **References Cited**

**U.S. PATENT DOCUMENTS**

D303,170 S *	8/1989	Hirano	.....	D32/18
D348,548 S *	7/1994	Pino	.....	D32/18
D379,691 S *	6/1997	Moine et al.	.....	D32/18
D480,846 S *	10/2003	Ki	.....	D32/18
D512,803 S *	12/2005	Kendrick	.....	D32/18
D522,191 S *	5/2006	Erlich	.....	D32/18
D528,253 S *	9/2006	Wu et al.	.....	D32/18
D541,495 S *	4/2007	DiPasquale et al.	.....	D32/18
2006/0090289 A1 *	5/2006	Kuang	.....	15/344
2007/0033765 A1 *	2/2007	Walker et al.	.....	15/344

FIG. 10 is a right side view of a handheld vacuum cleaner of FIG. 1 with nose in an extended position;

FIG. 11 is a top view of a handheld vacuum cleaner of FIG. 1 with nose in an extended position;

FIG. 12 is a bottom view of a handheld vacuum cleaner of FIG. 1 with nose in an extended position;

FIG. 13 is a front view of a handheld vacuum cleaner of FIG. 1 with nose in an extended position;

FIG. 14 is a rear view of a handheld vacuum cleaner of FIG. 1 with nose in an extended position;

\* cited by examiner

FIG. 15 is a perspective view of a handheld vacuum cleaner of FIG. 1 with nose in an extended position and further showing a telescopic extension;

FIG. 16 is a left side view of a handheld vacuum cleaner of FIG. 1 with nose in an extended position and further showing a telescopic extension;

*Primary Examiner*—Ruth McInroy  
(74) *Attorney, Agent, or Firm*—John Yun; Bruce S. Shapiro; Wesley Muller

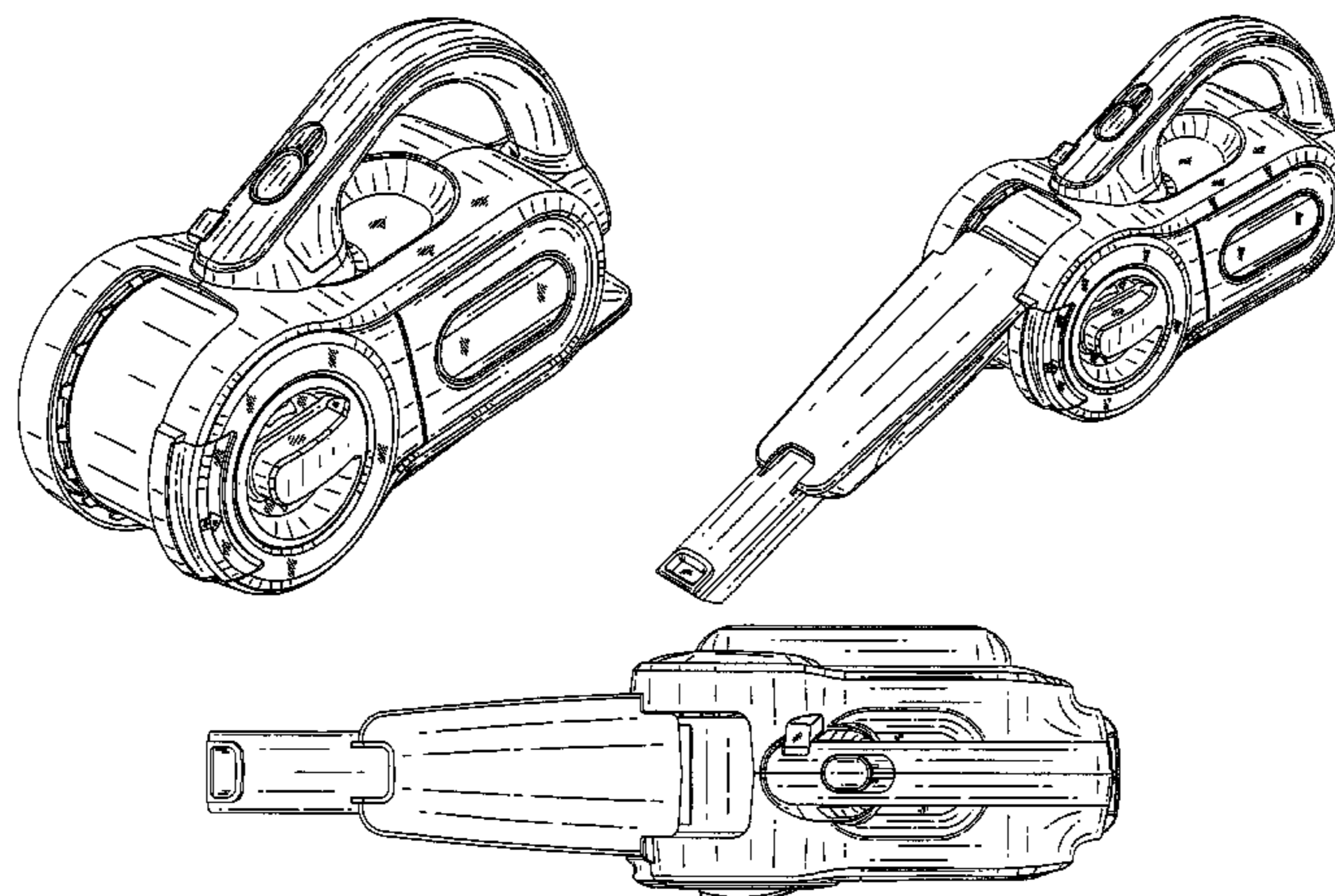


FIG. **17** is a right side view of a handheld vacuum cleaner of FIG. **1** with nose in an extended position and further showing a telescopic extension;

FIG. **18** is a top view of a handheld vacuum cleaner of FIG. **1** with nose in an extended position and further showing a telescopic extension;

FIG. **19** is a bottom view of a handheld vacuum cleaner of FIG. **1** with nose in an extended position and further showing a telescopic extension;

FIG. **20** is a front view of a handheld vacuum cleaner of FIG. **1** with nose in an extended position and further showing a telescopic extension; and,

FIG. **21** is a rear view of a handheld vacuum cleaner of FIG. **1** with nose in an extended position and further showing a telescopic extension.

FIGS. **8-14** and **15-21** show the nose and telescopic extension in extended positions.

**1 Claim, 19 Drawing Sheets**

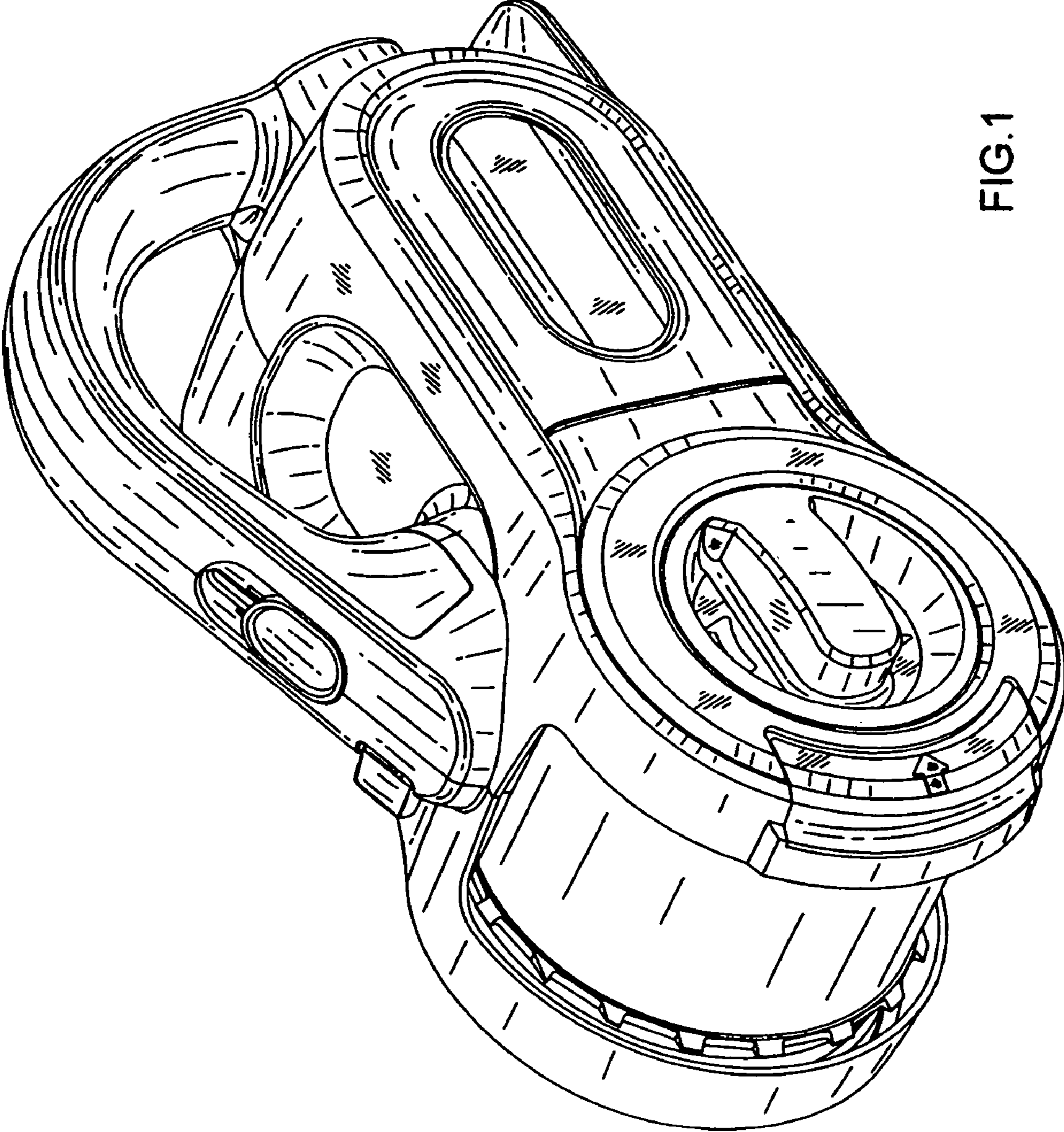


FIG.1

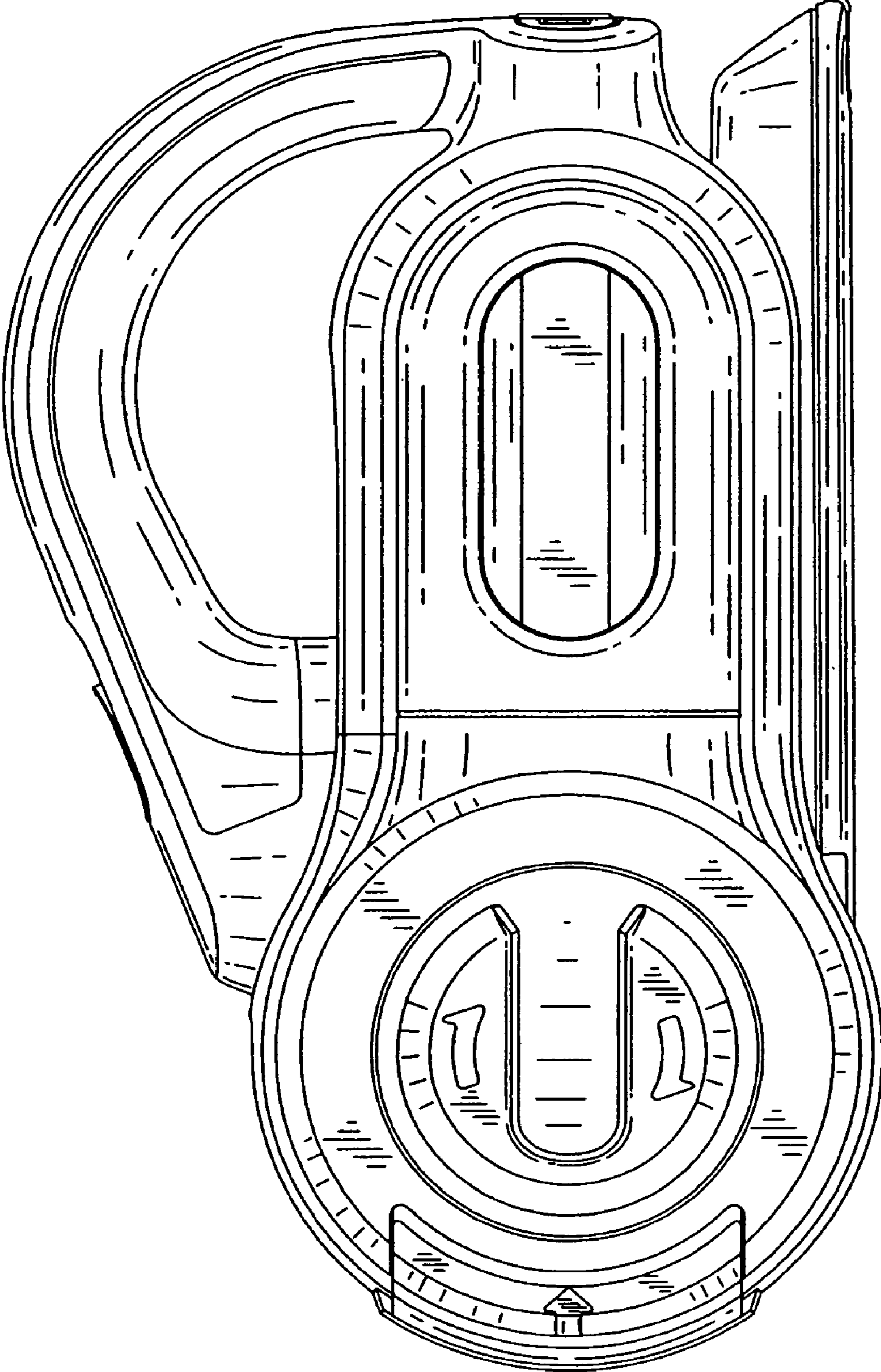


FIG.2

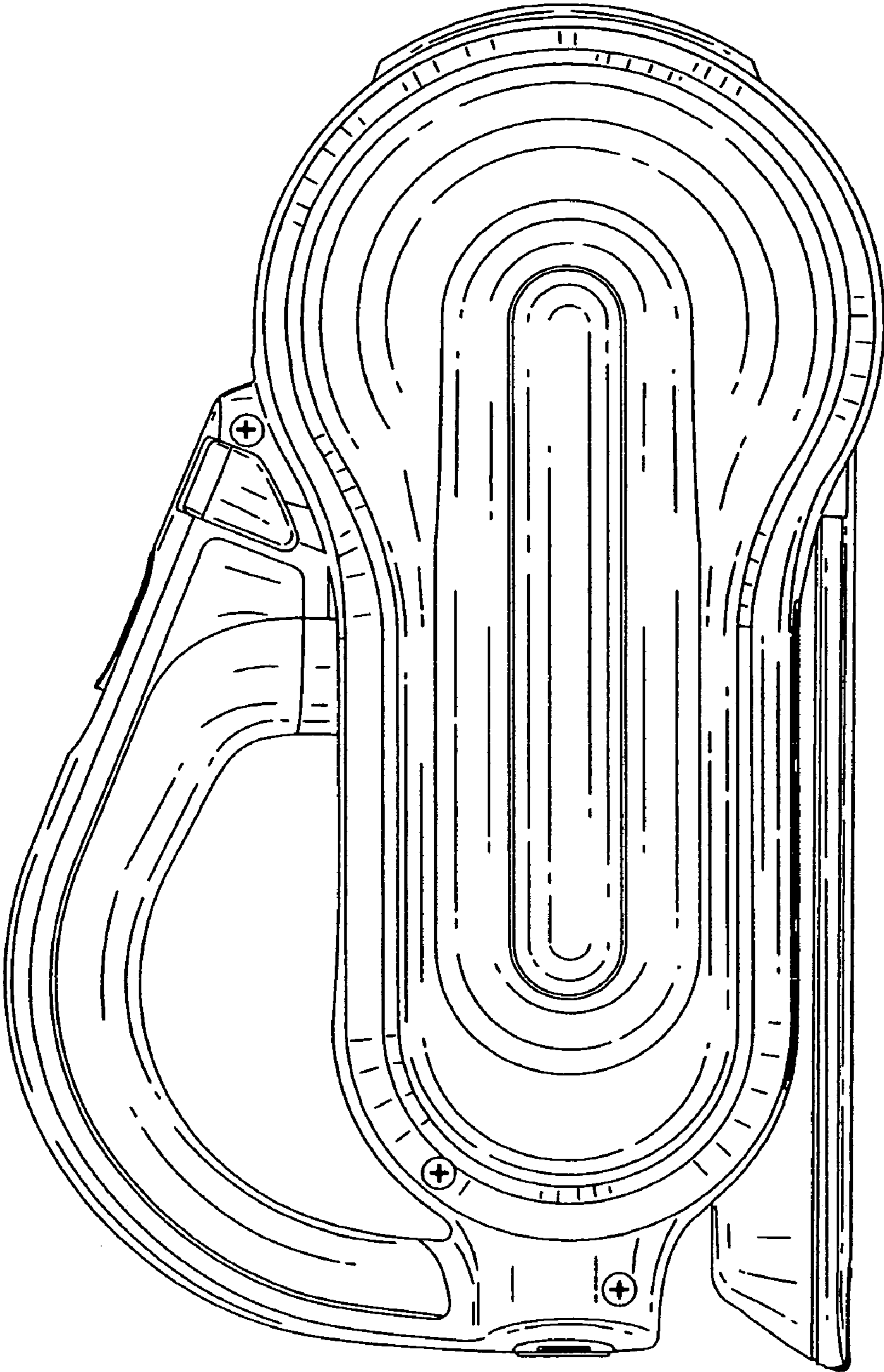


FIG.3

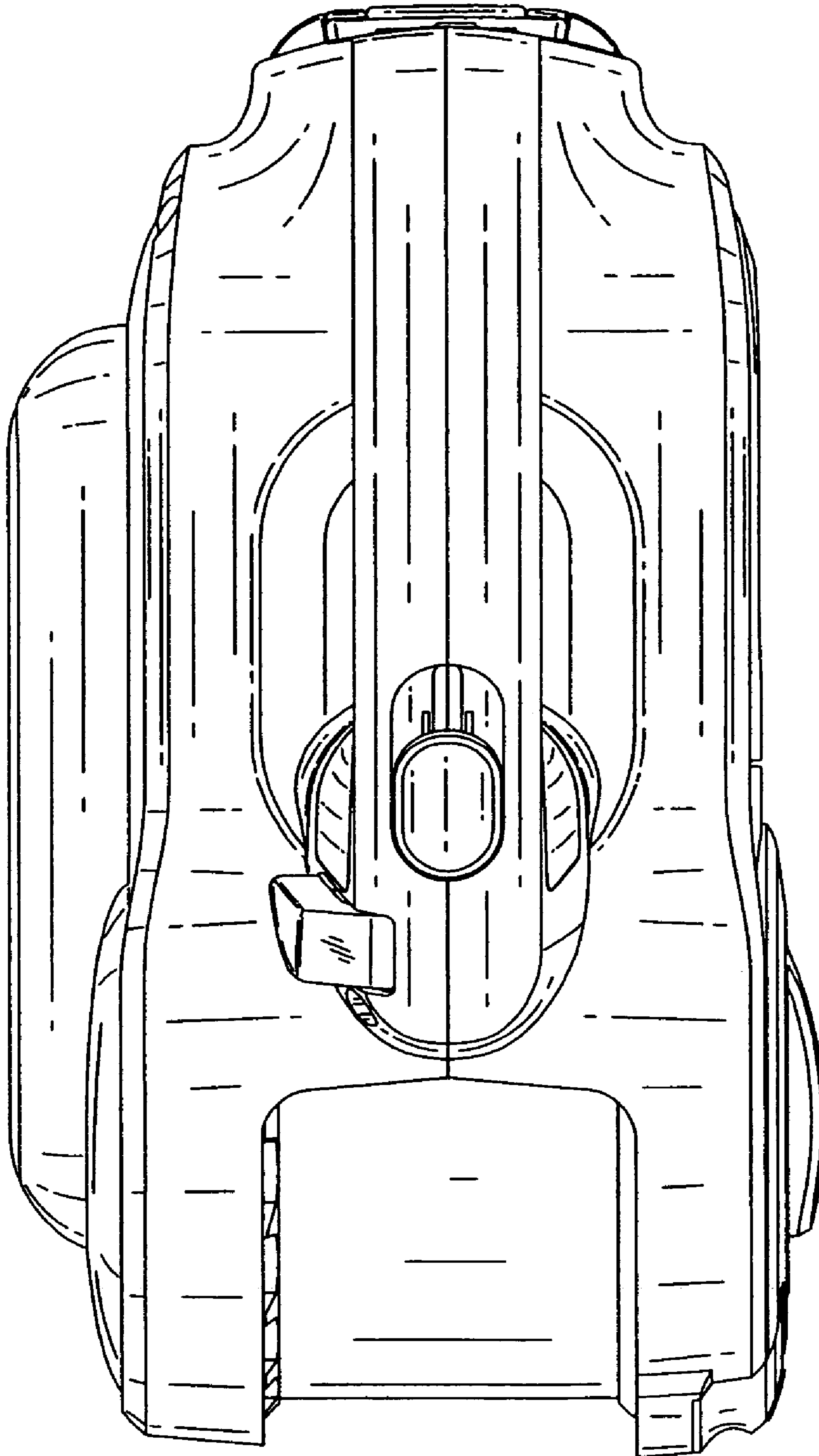


FIG.4

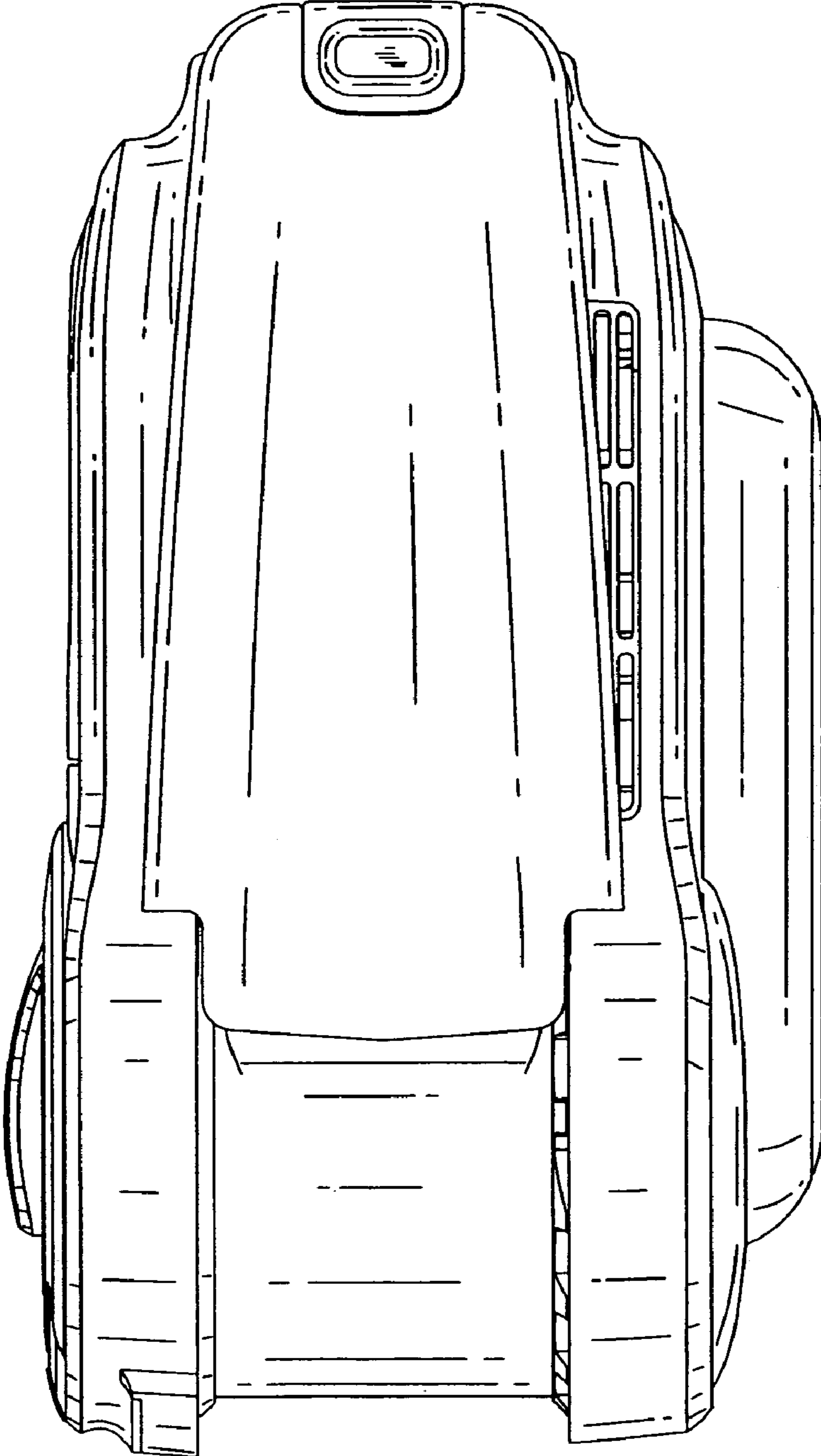


FIG.5

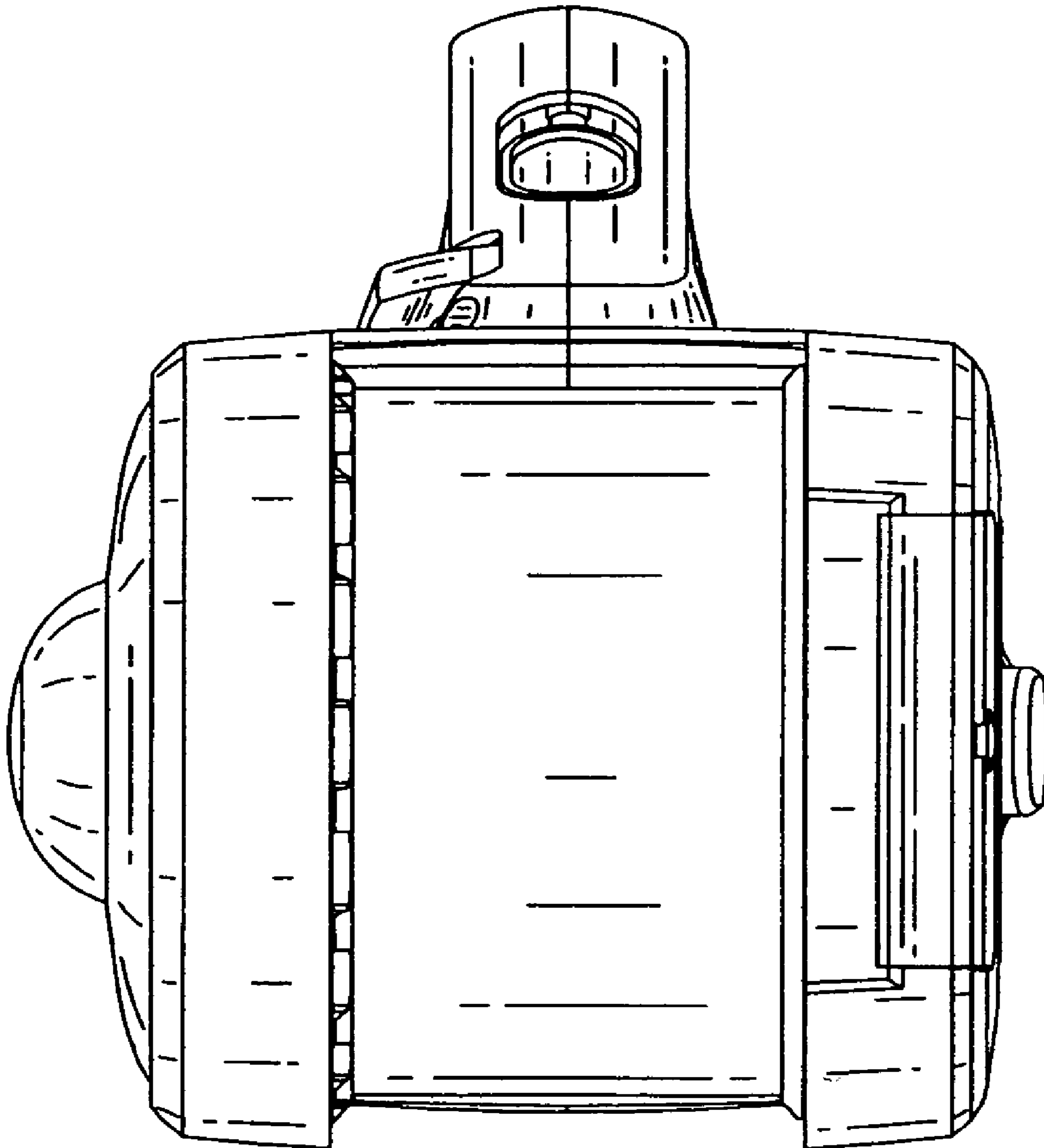


FIG.6



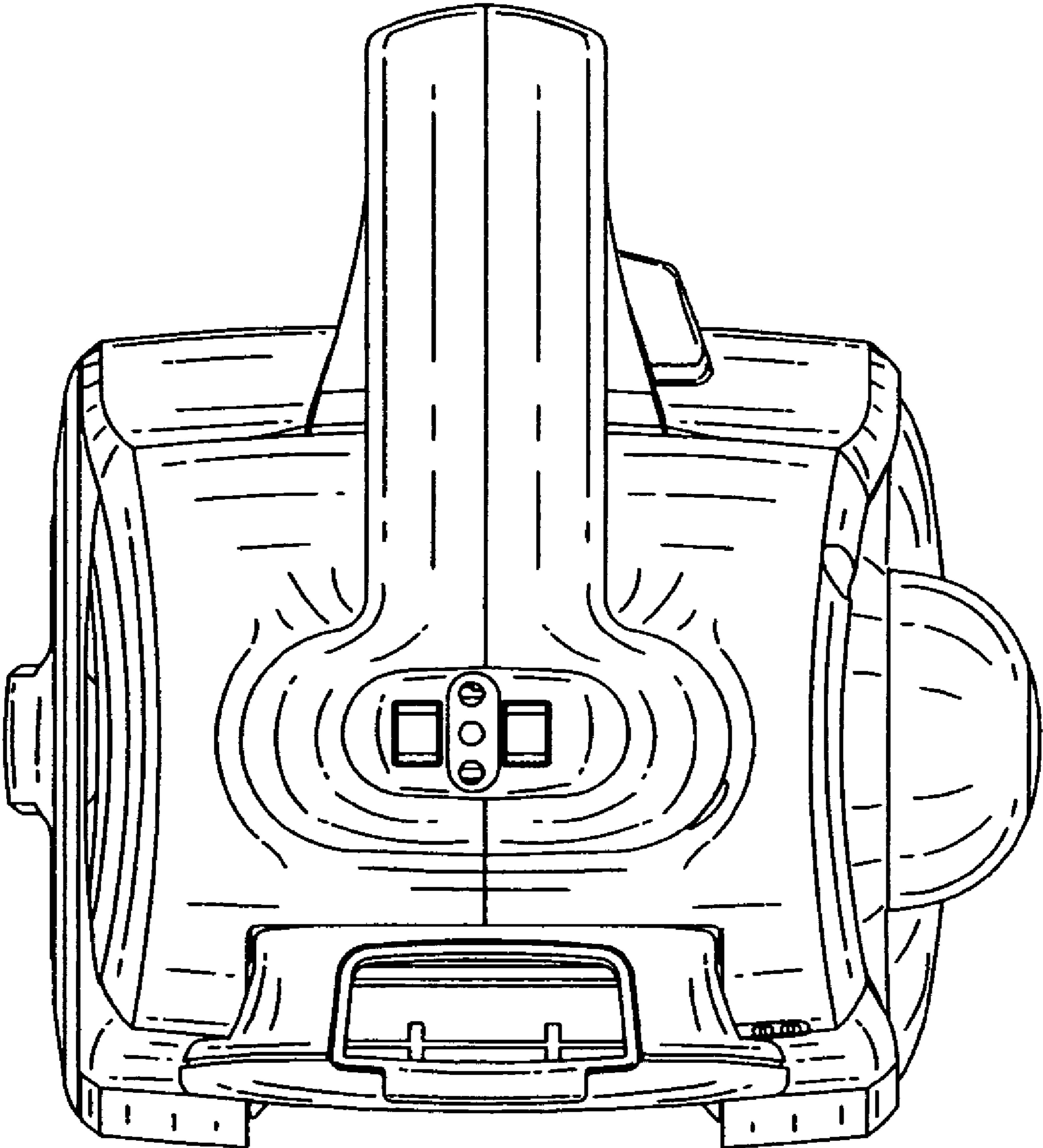


FIG.7

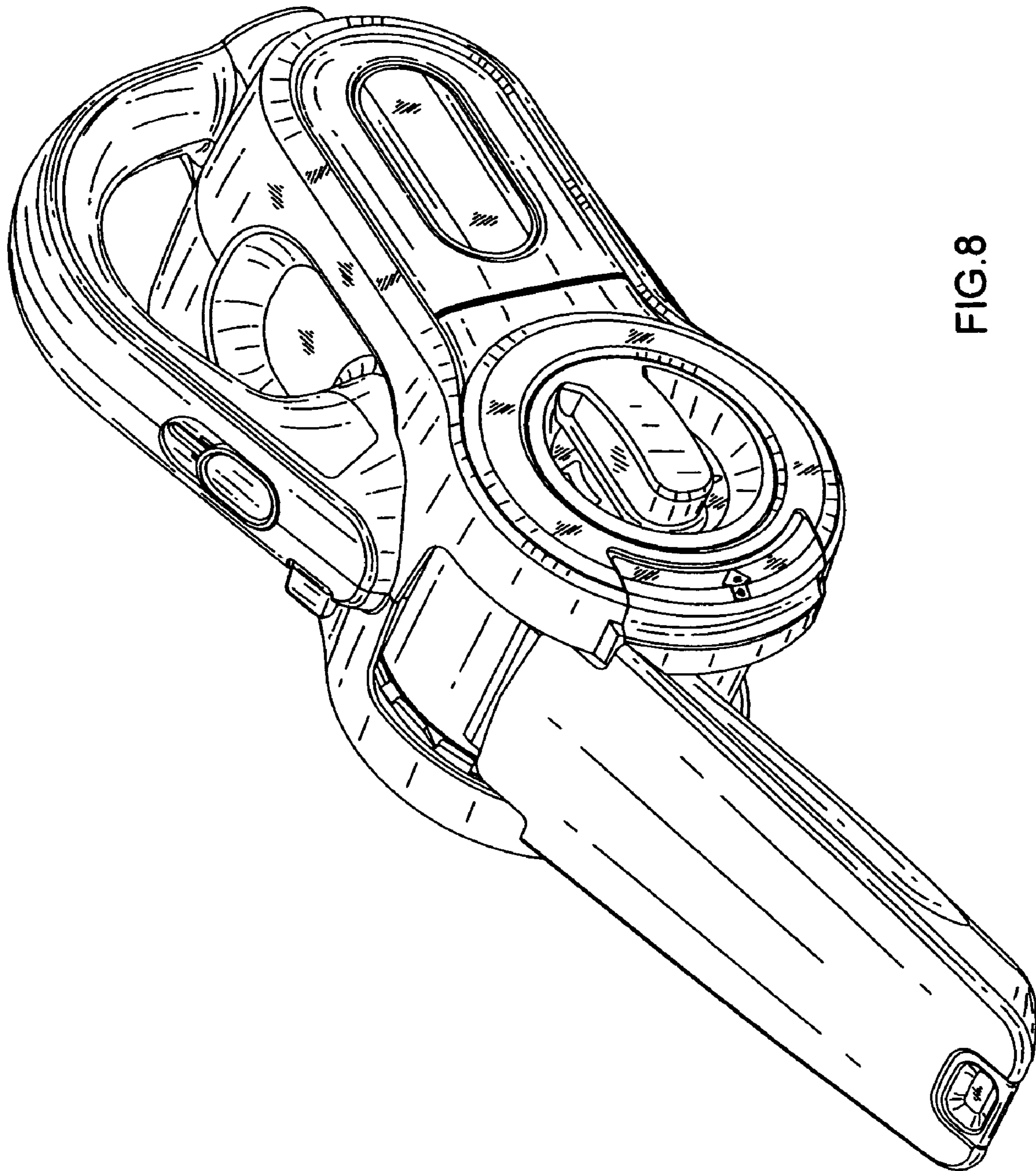


FIG. 8

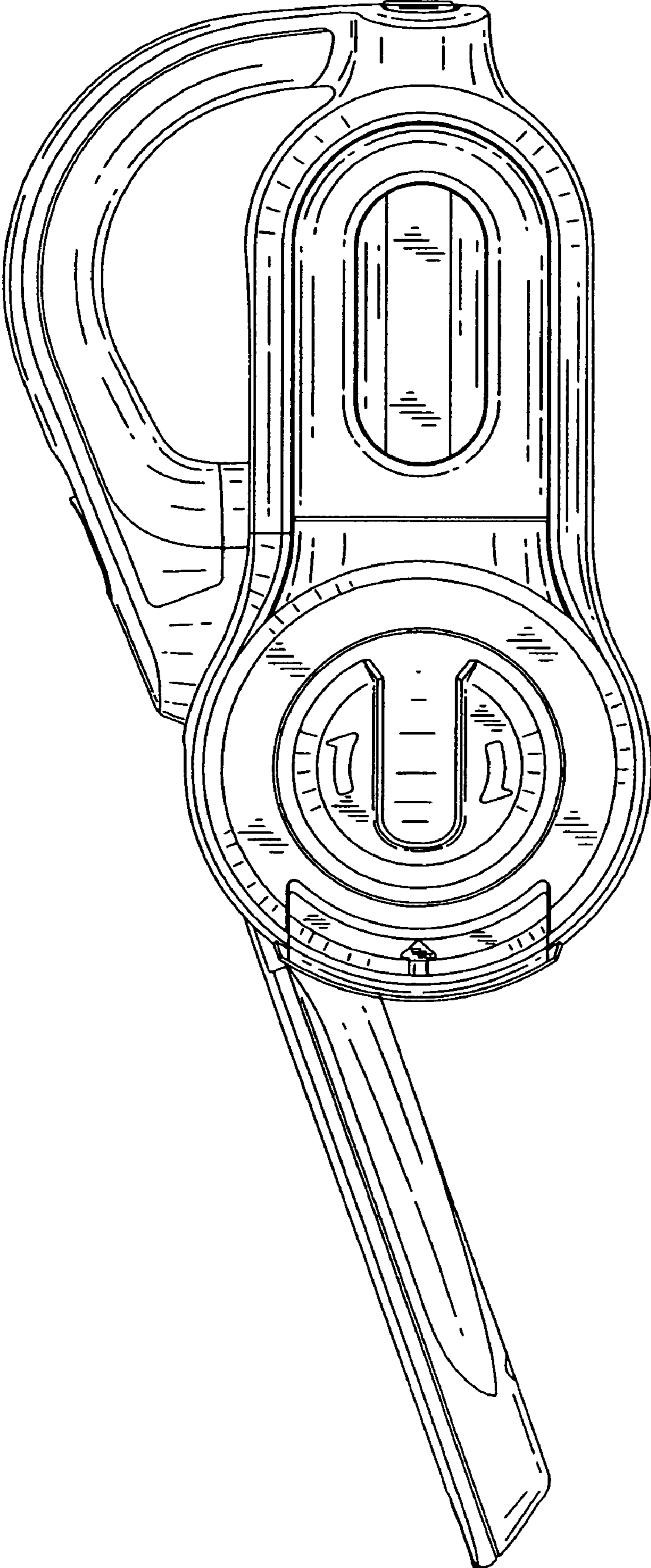


FIG.9

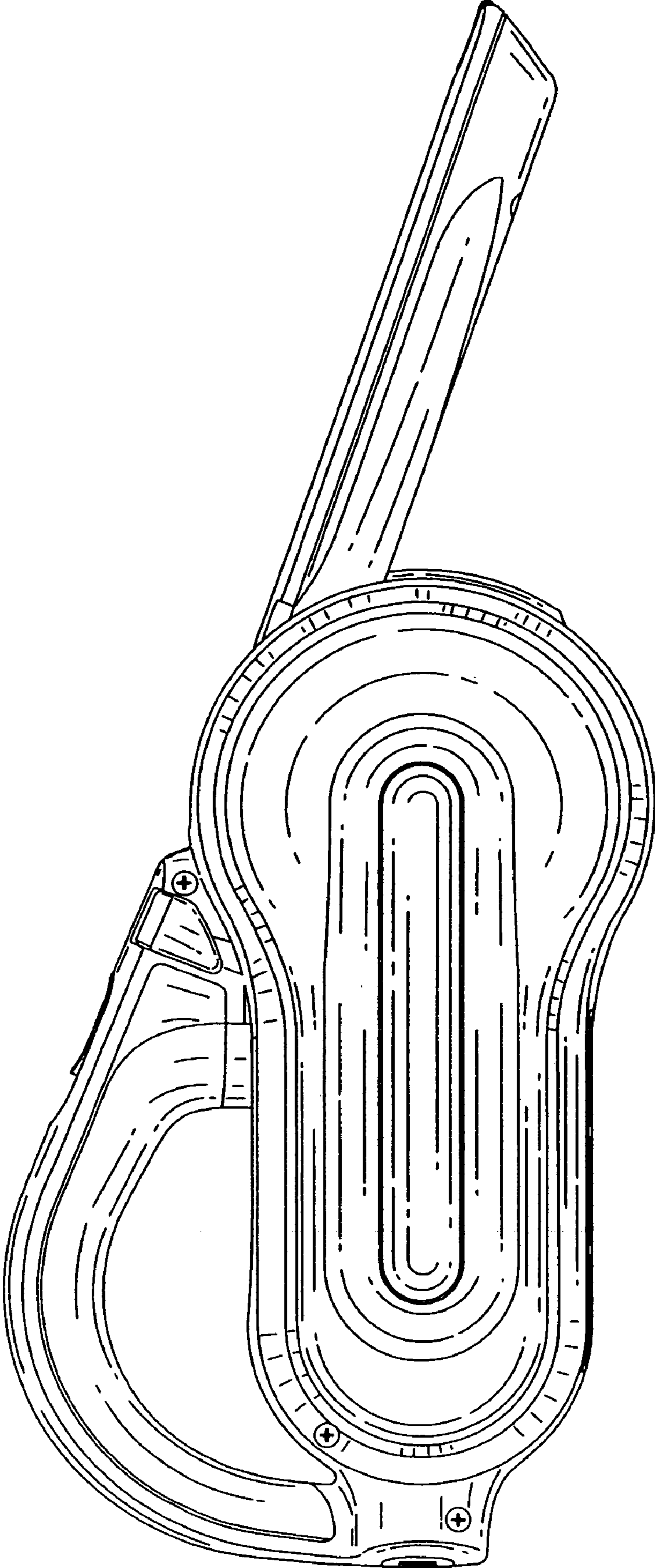


FIG.10

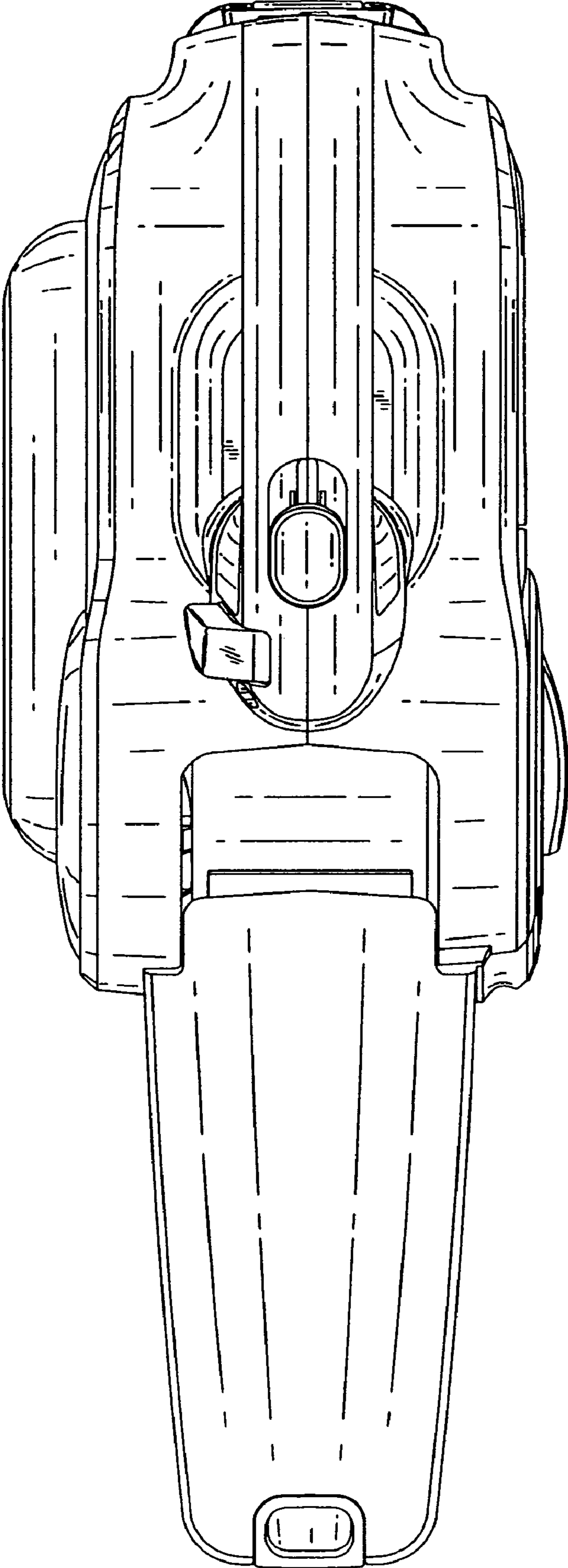


FIG.11

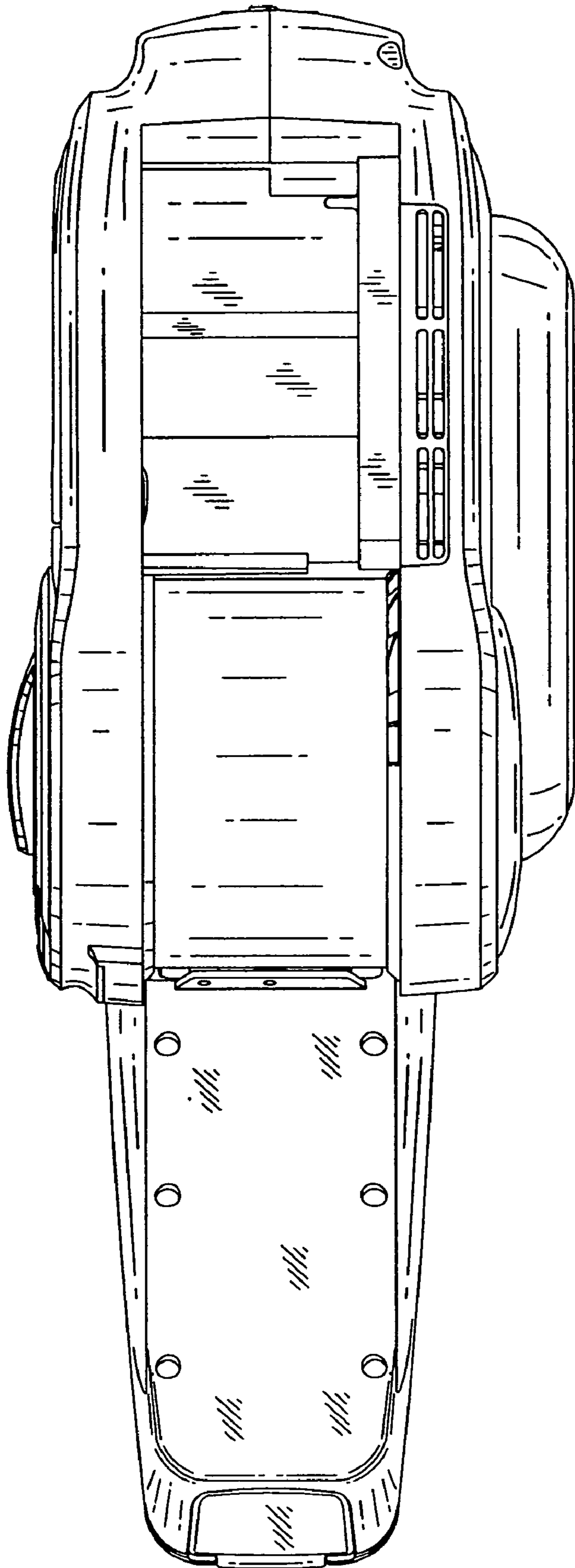


FIG.12

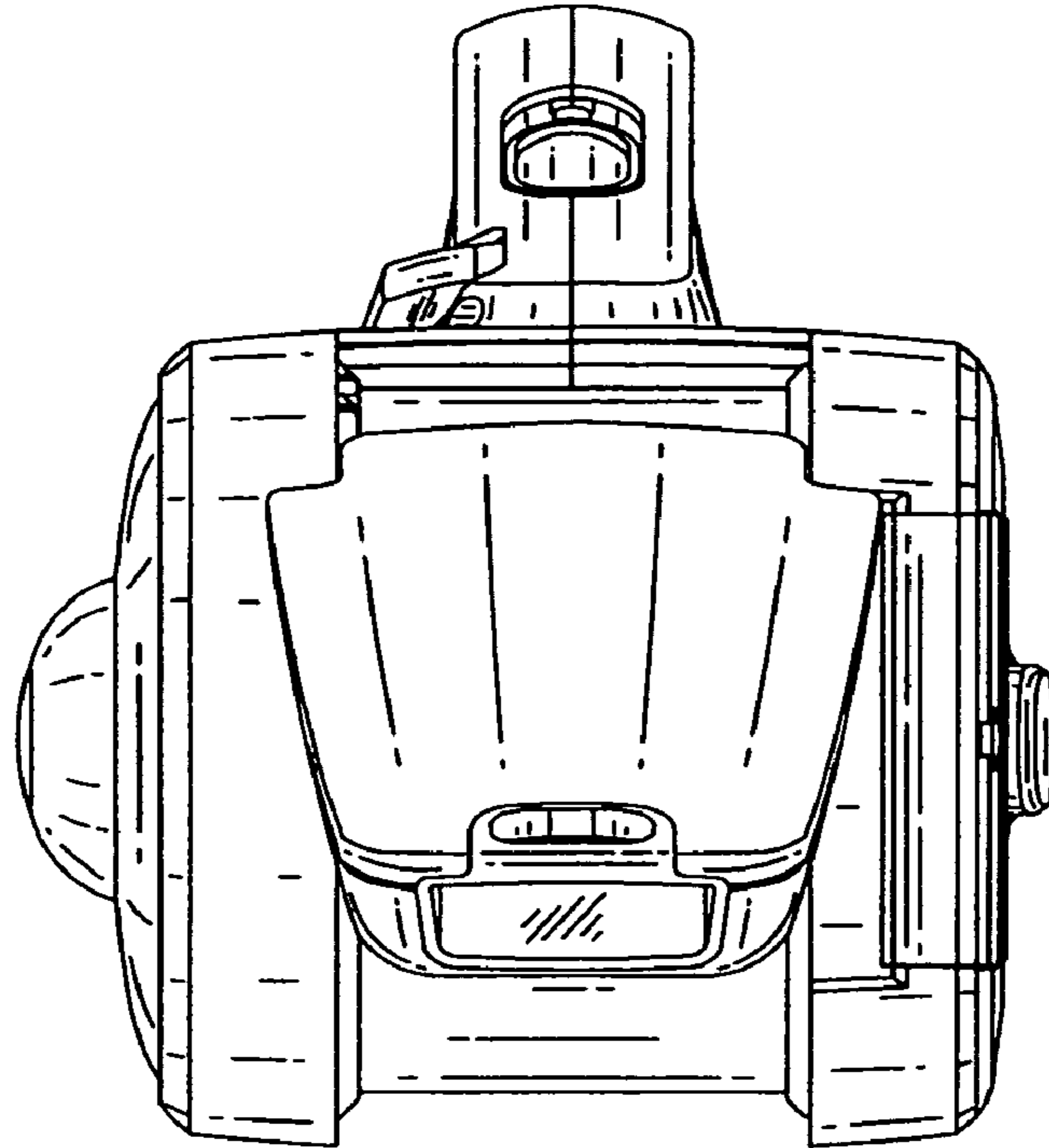


FIG. 13

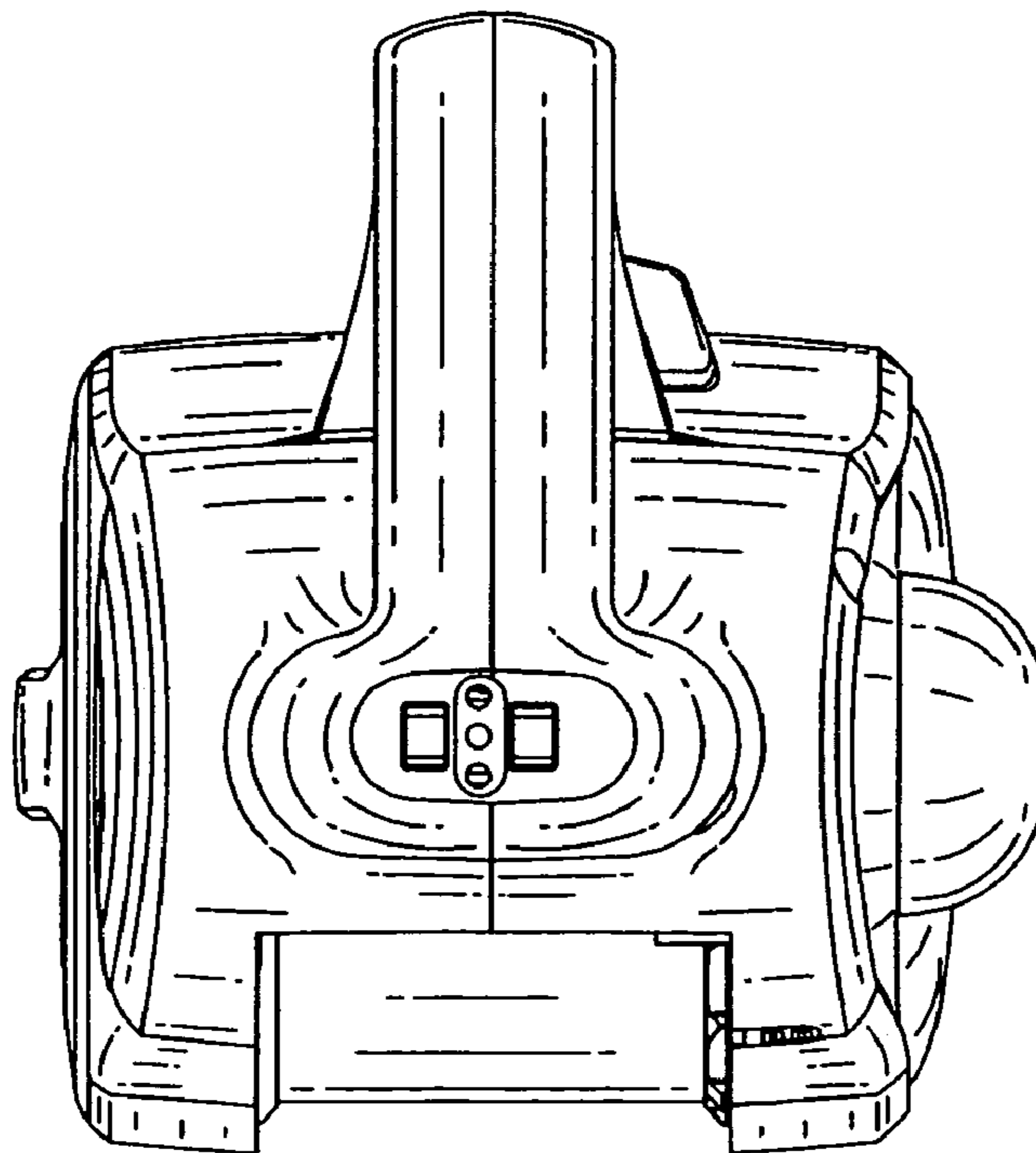


FIG. 14

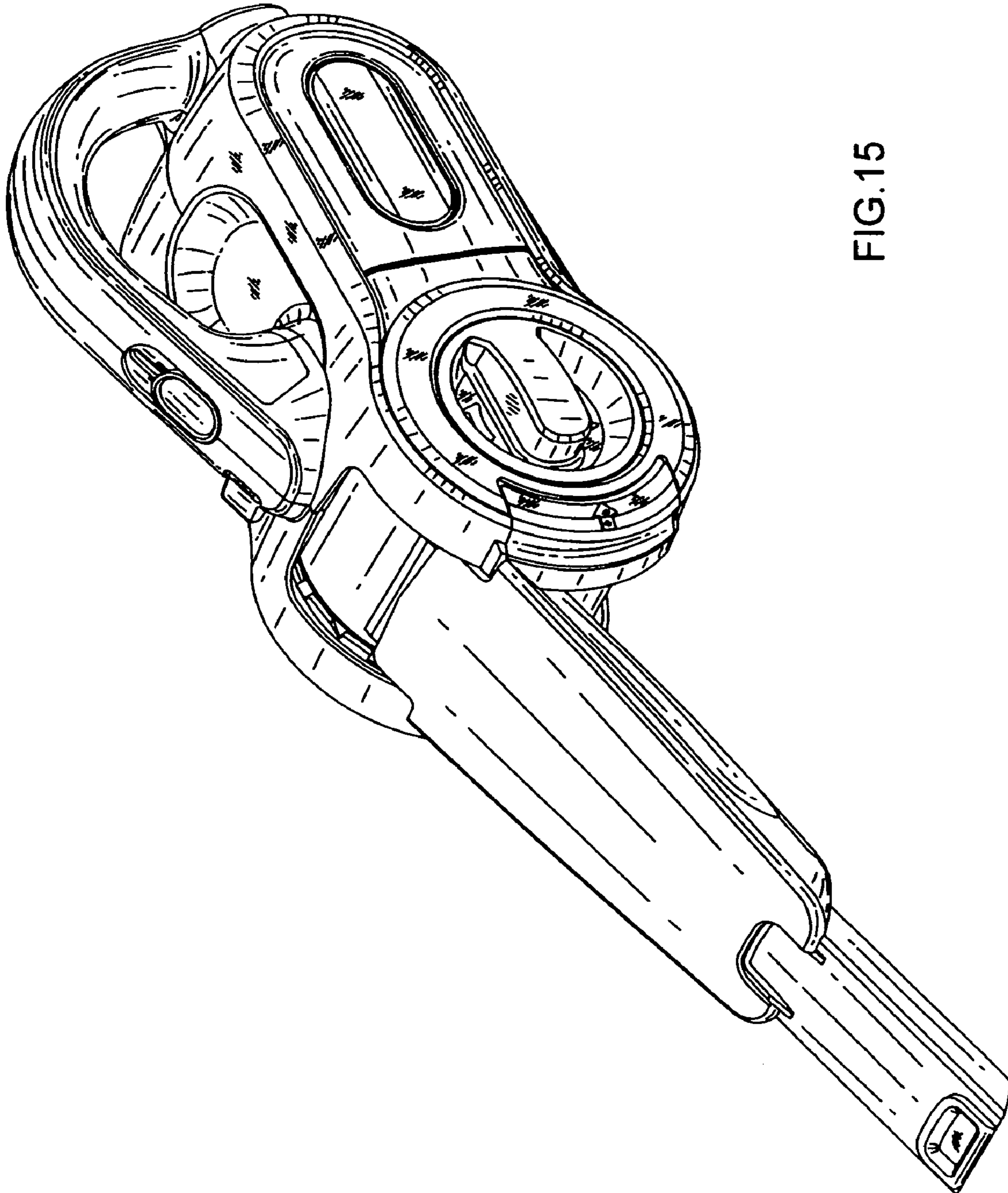


FIG.15



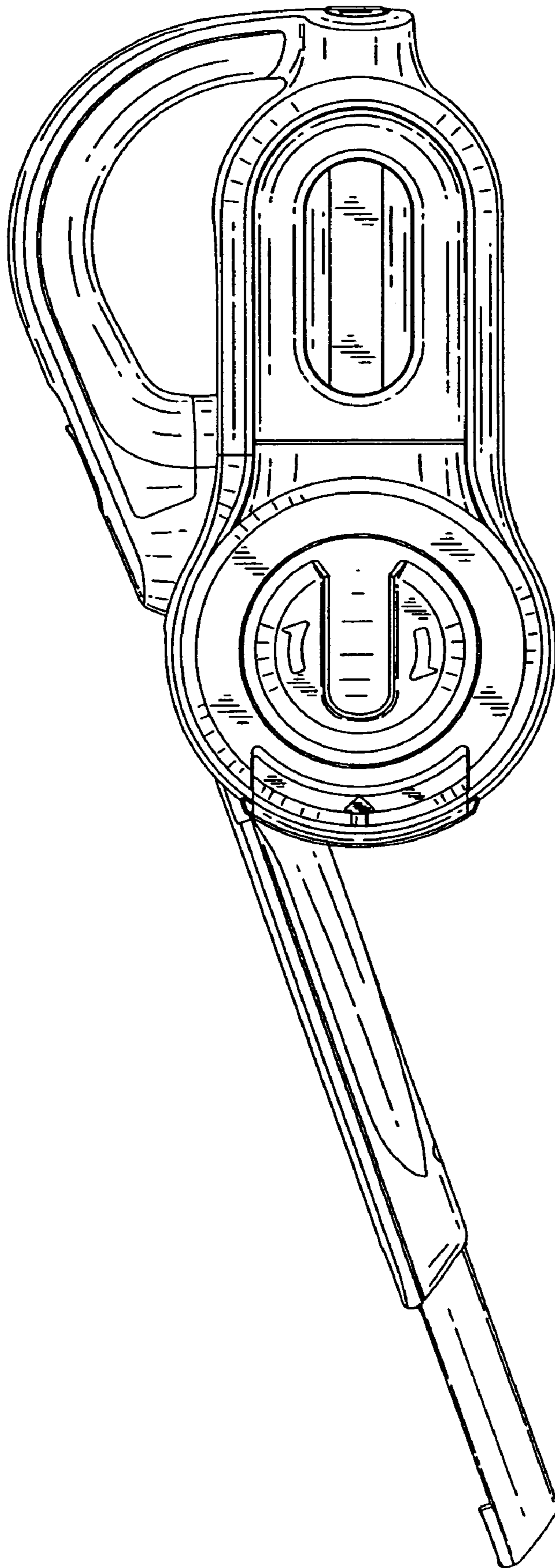


FIG.16

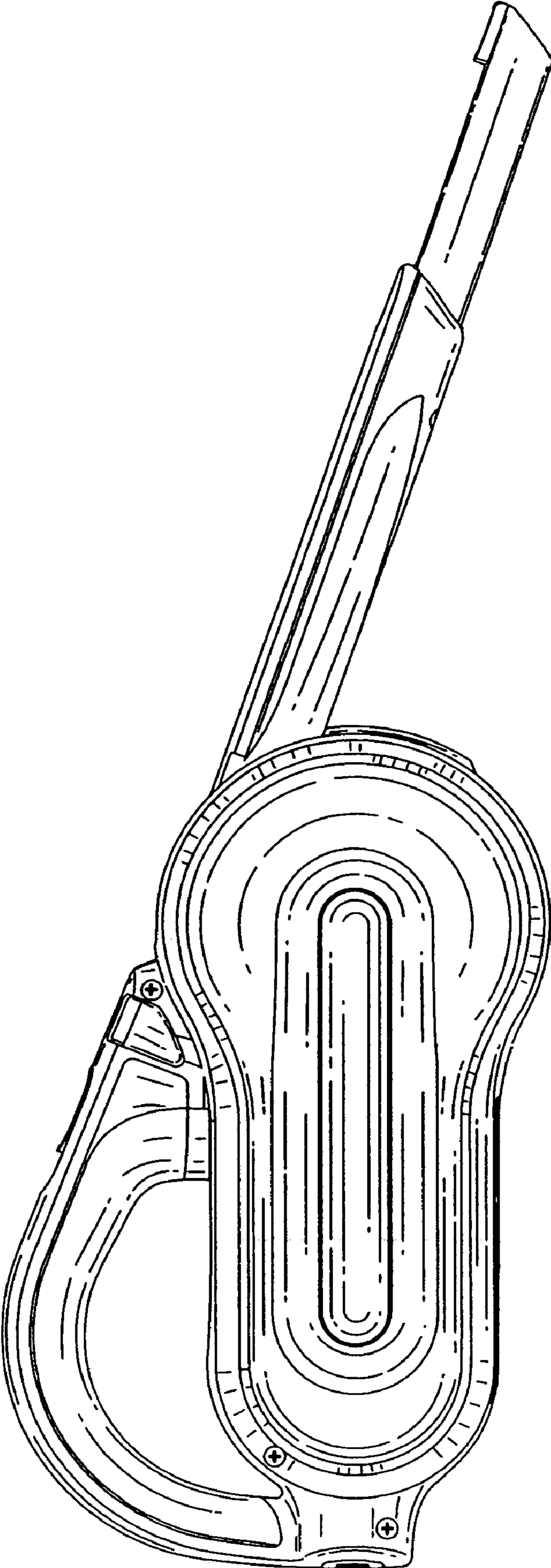


FIG.17

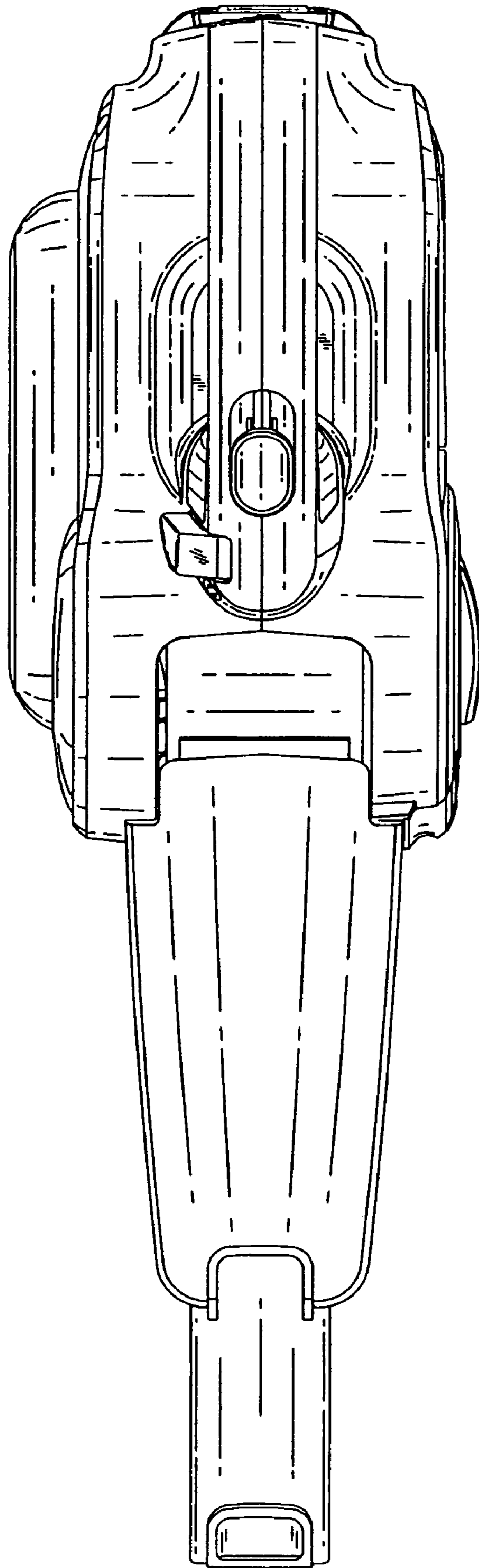


FIG.18

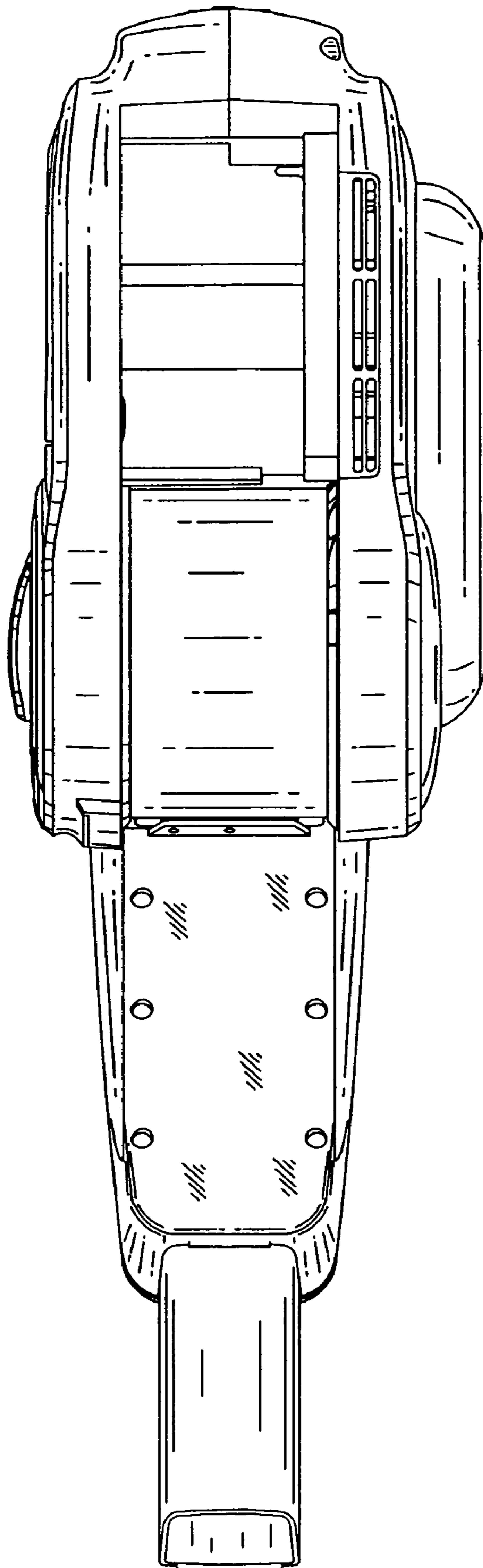


FIG.19

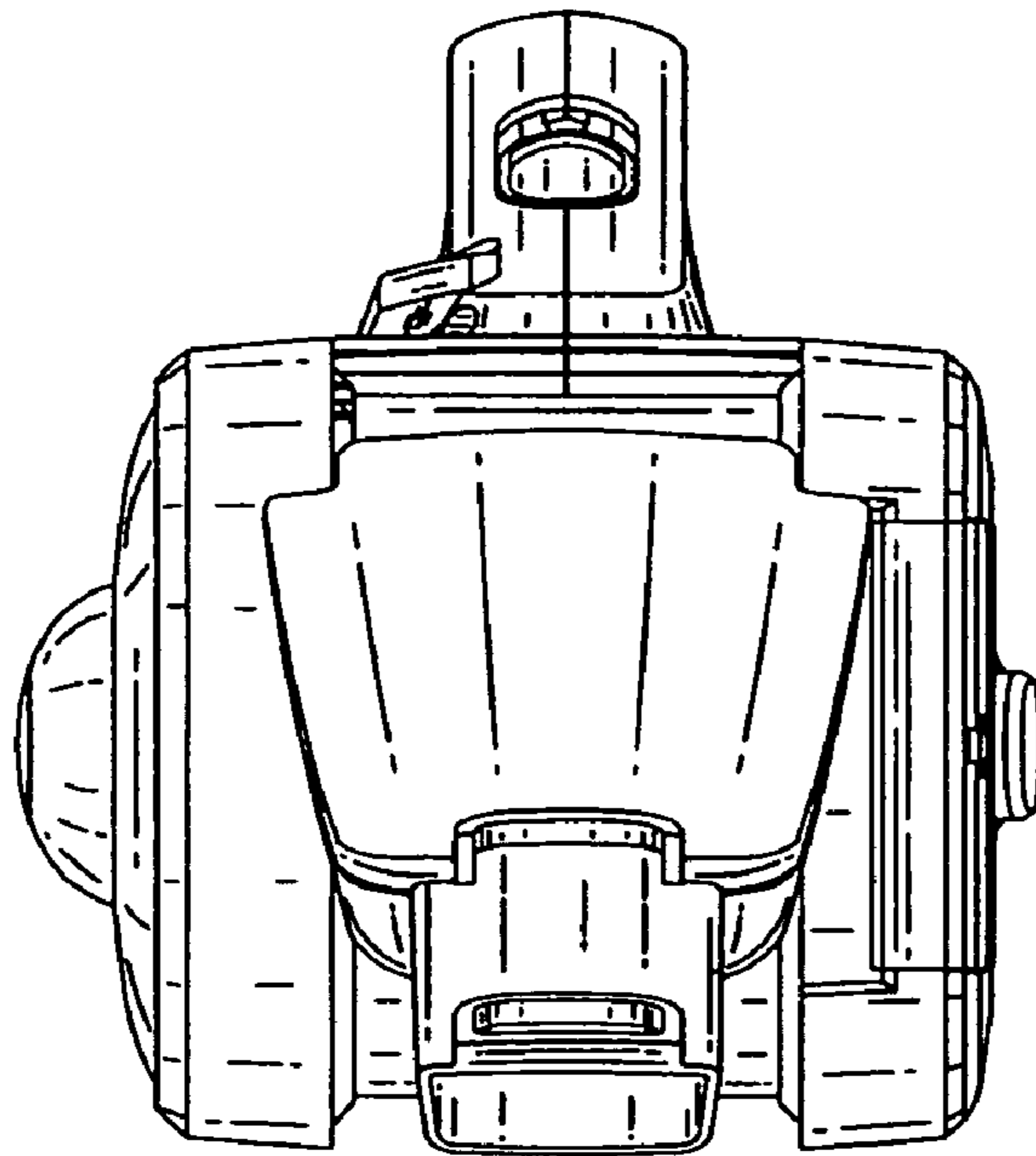


FIG. 20

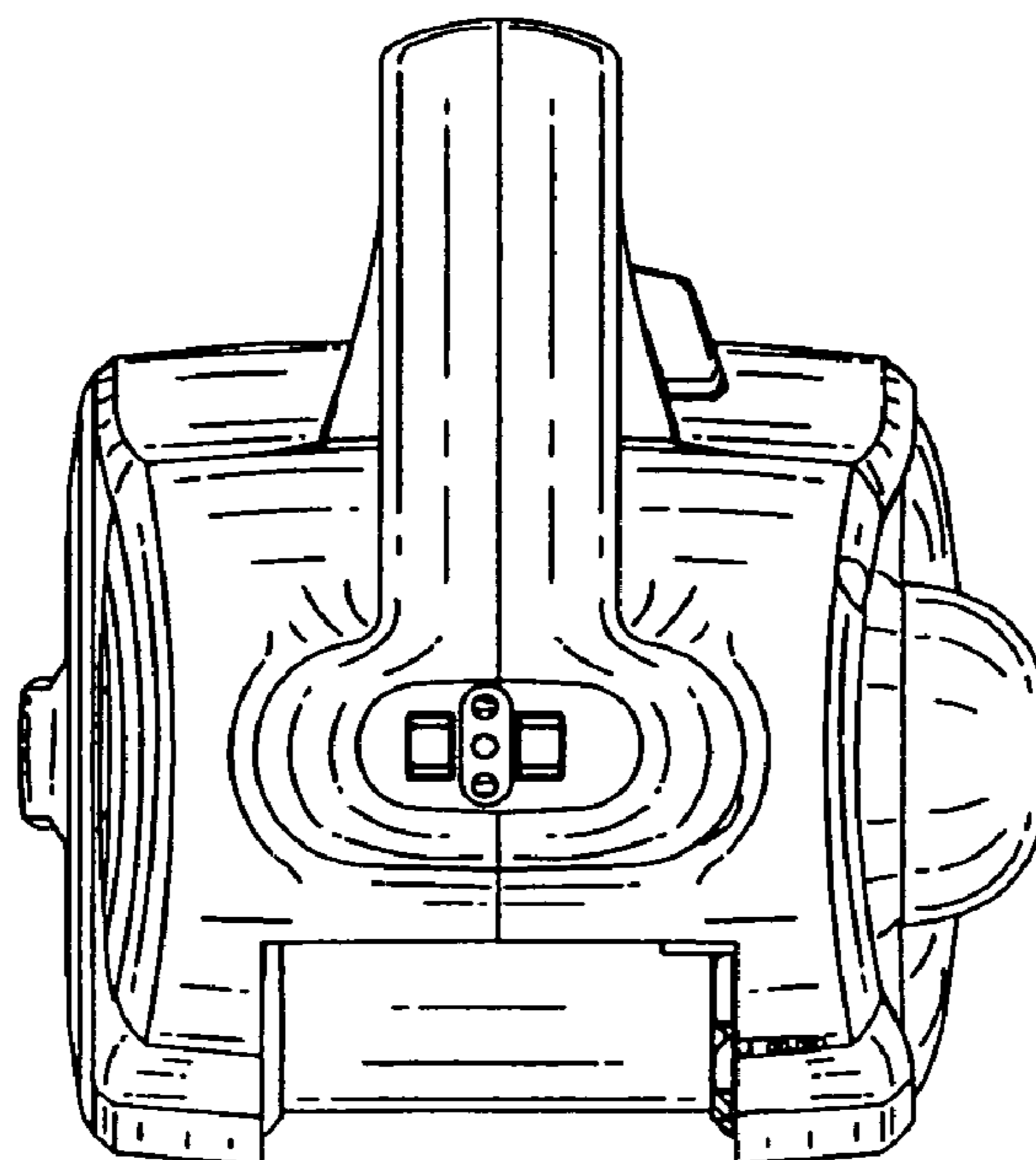


FIG. 21