

US00D552302S

(12) **United States Design Patent**
Le Carpentier

(10) **Patent No.:** **US D552,302 S**

(45) **Date of Patent:** **** *Oct. 2, 2007**

(54) **BODY ARMOR HAND PROTECTOR**

(75) Inventor: **Jerome Le Carpentier**, Broglie (FR)

(73) Assignee: **Protecop SA**, Bernay Cedex (FR)

(*) Notice: This patent is subject to a terminal disclaimer.

(**) Term: **14 Years**

(21) Appl. No.: **29/237,562**

(22) Filed: **Sep. 1, 2005**

(51) **LOC (8) Cl.** **29-02**

(52) **U.S. Cl.** **D29/113**

(58) **Field of Classification Search** D2/610,
D2/615-623; D29/113, 117.1-119, 123; 2/16,
2/20, 59, 158, 159; D24/190; D28/63; D30/158

See application file for complete search history.

(56) **References Cited**

U.S. PATENT DOCUMENTS

2,394,136	A *	2/1946	Bakke	D29/113
6,564,389	B1 *	5/2003	Laughlin	2/158
6,748,599	B1 *	6/2004	Farady et al.	2/16

* cited by examiner

Primary Examiner—Robert A. Delehanty

(74) *Attorney, Agent, or Firm*—Levisohn, Berger & Langsam, LLP

(57) **CLAIM**

The ornamental design for a body armor hand protector, substantially as shown and described.

DESCRIPTION

FIG. 1 is a front elevation view of the body armor hand protector according to the invention.

FIG. 2 is a rear elevation view of the body armor hand protector of FIG. 1.

FIG. 3 is a left elevation view of the body armor hand protector of FIG. 1.

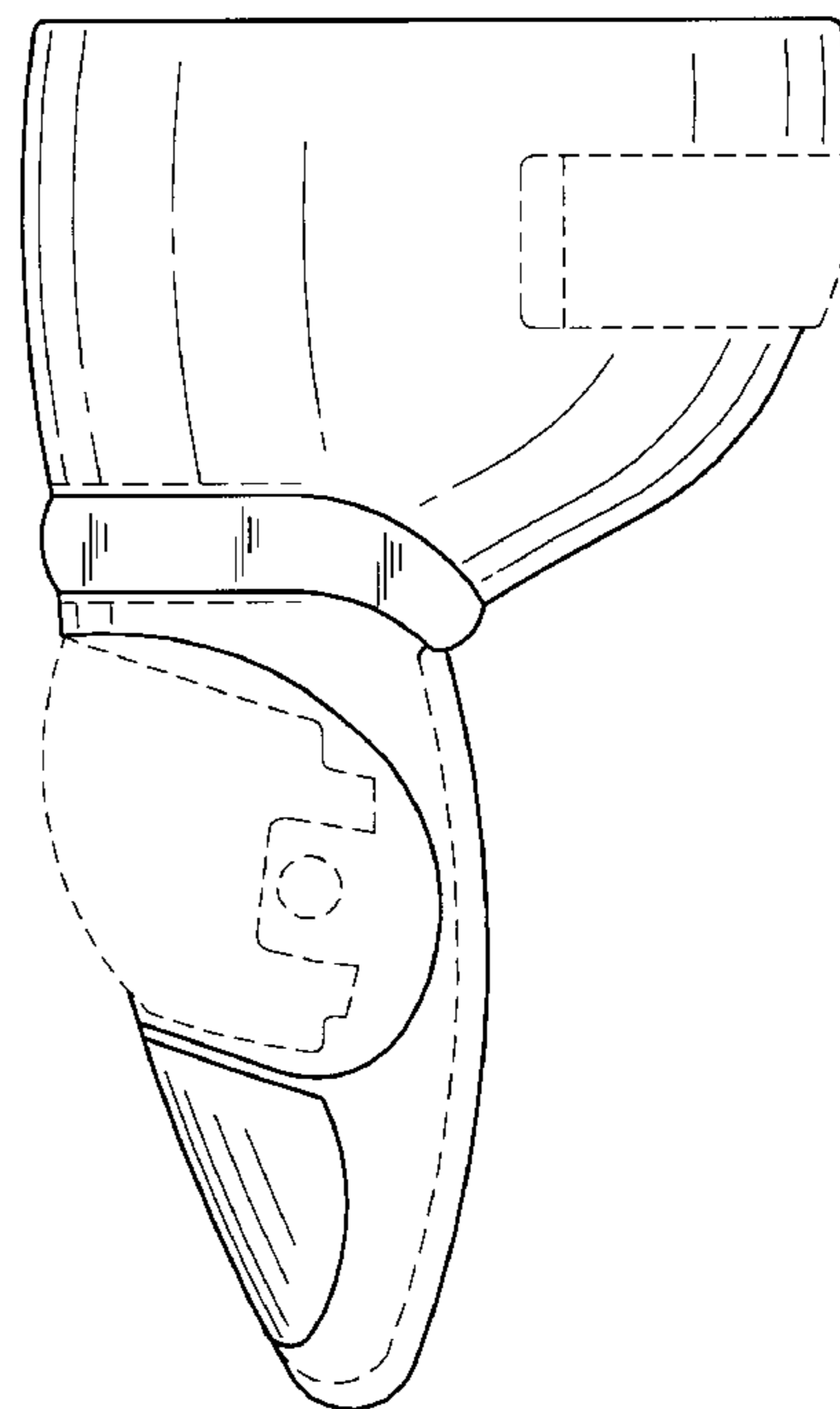
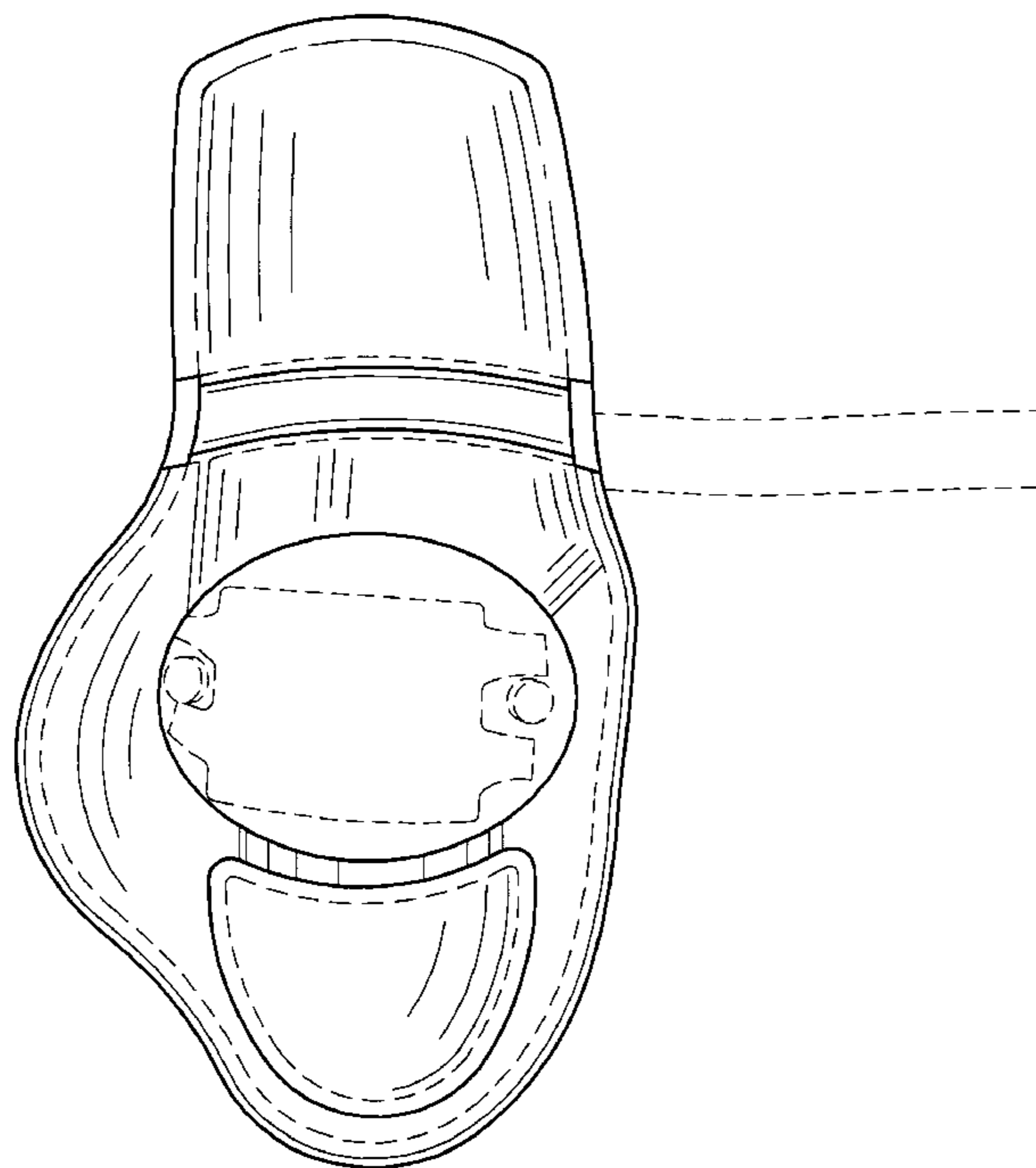
FIG. 4 is a right elevation view of the body armor hand protector of FIG. 1.

FIG. 5 is a top elevation view of the body armor hand protector of FIG. 1; and,

FIG. 6 is a bottom elevation view of the body armor hand protector of FIG. 1.

The broken line portions of the drawings, including the straps, buckles, and reinforcing ribs are environmental and do not form part of the claimed design.

1 Claim, 4 Drawing Sheets



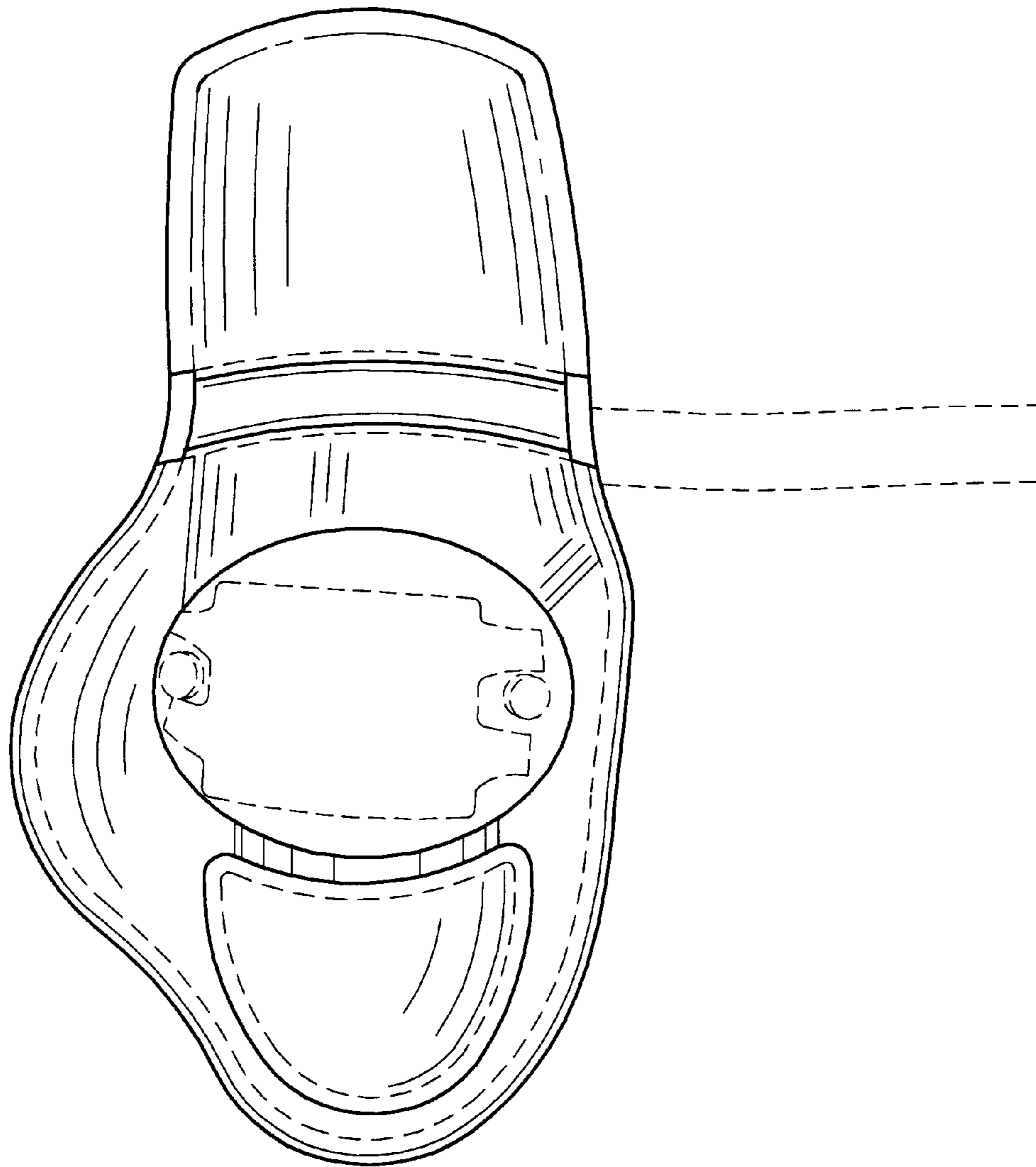


FIG. 1

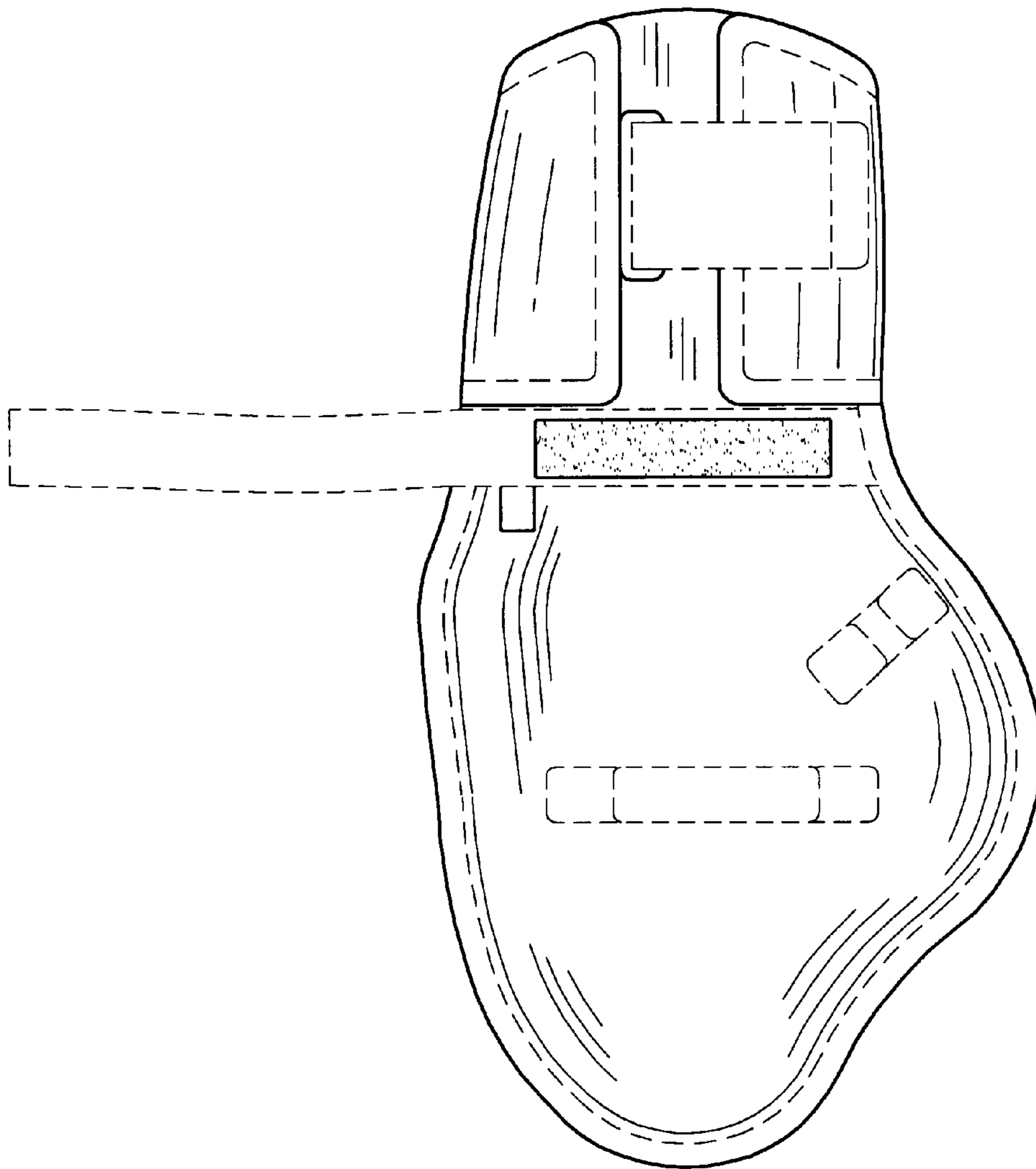


FIG. 2

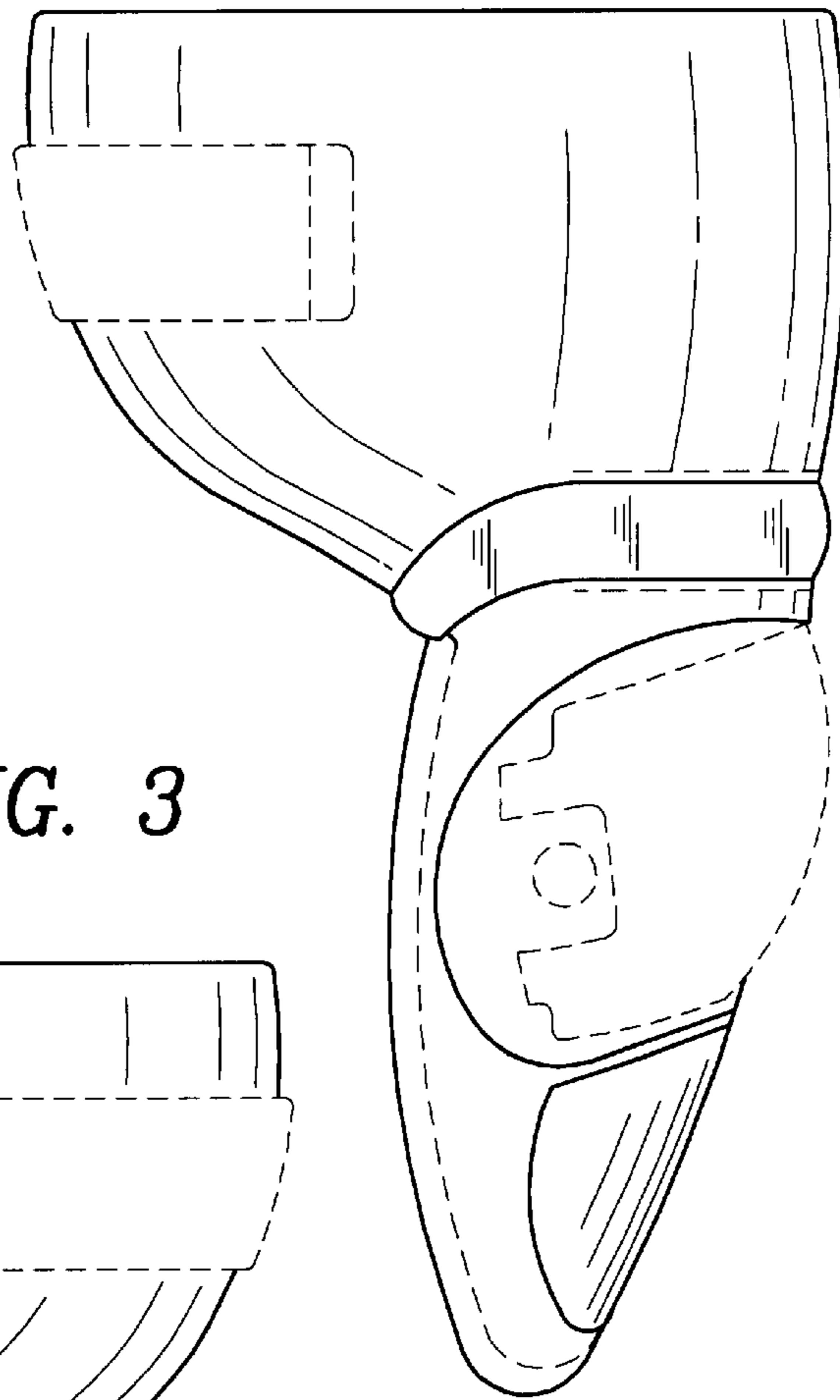


FIG. 3

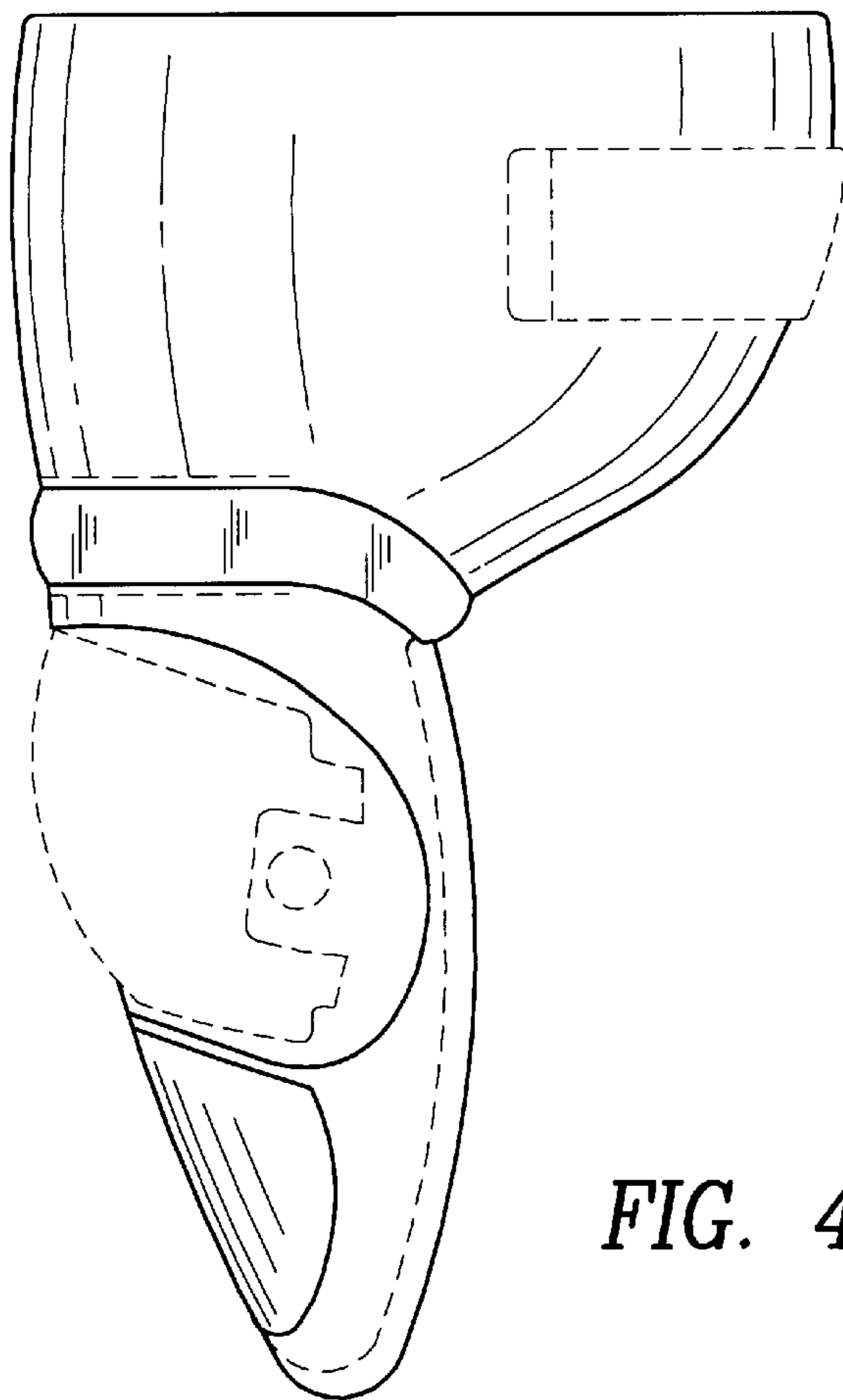


FIG. 4

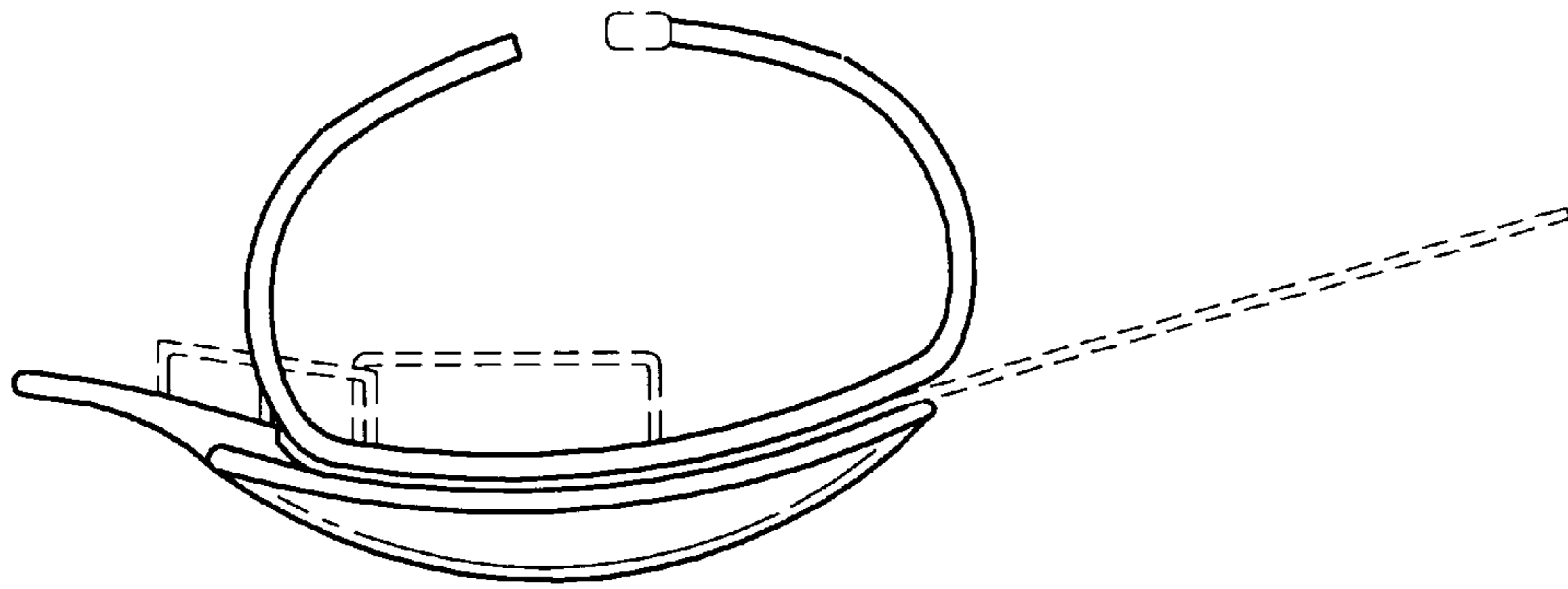


FIG. 5

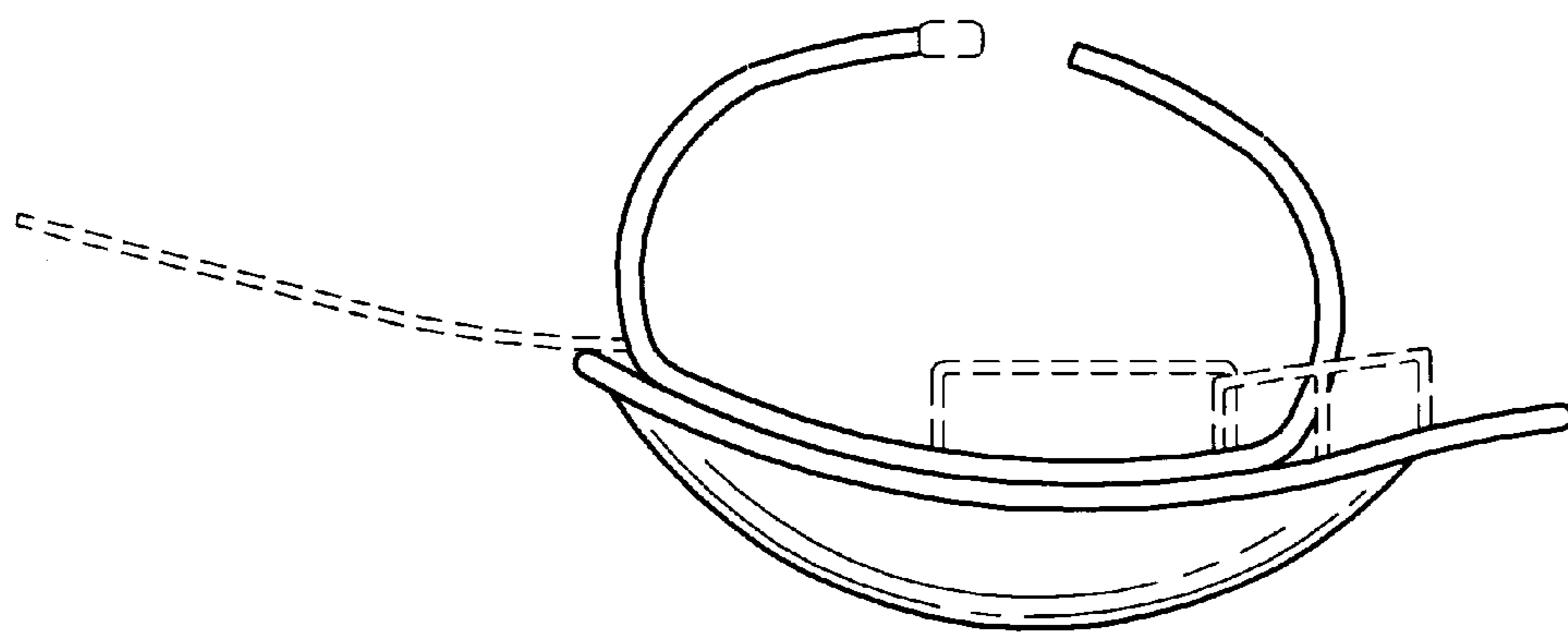


FIG. 6