



US00D552296S

(12) **United States Design Patent**
Huang

(10) **Patent No.:** **US D552,296 S**

(45) **Date of Patent:** **** Oct. 2, 2007**

(54) **LAMP ARM OF A TABLE LAMP**

(75) Inventor: **Huo-Tu Huang**, Taipei Hsien (TW)

(73) Assignee: **Huangslite Industrial Co., Ltd.**, Taipei Hsien (TW)

(**) Term: **14 Years**

(21) Appl. No.: **29/242,848**

(22) Filed: **Nov. 16, 2005**

(51) **LOC (8) Cl.** **26-99**

(52) **U.S. Cl.** **D26/141**

(58) **Field of Classification Search** D26/65,
D26/63, 138, 61, 62, 113, 141, 155; 248/284.1;
267/177; 362/220, 257, 269, 427, 277, 285,
362/402

See application file for complete search history.

(56) **References Cited**

U.S. PATENT DOCUMENTS

D38,460 S *	2/1907	Howell	D26/107
2,299,251 A *	10/1942	Perbal	248/571
3,041,060 A *	6/1962	Jacobsen	267/177
D394,914 S *	6/1998	Chen	D26/65
D417,924 S *	12/1999	Chen	D26/65
D432,695 S *	10/2000	Chen	D26/65

D439,357 S *	3/2001	Huang	D26/63
D441,114 S *	4/2001	Chen	D26/63
D442,310 S *	5/2001	Huang	D26/65
D473,336 S *	4/2003	Huang	D26/138
2004/0095766 A1 *	5/2004	Chan	362/285

* cited by examiner

Primary Examiner—Alan P. Douglas

Assistant Examiner—Kevin K. Rudzinski

(74) *Attorney, Agent, or Firm*—Bacon & Thomas, PLLC

(57) **CLAIM**

The ornamental design for lamp arm of a table lamp, as shown and described.

DESCRIPTION

FIG. 1. is a perspective view of a lamp arm of a table lamp showing my new design;

FIG. 2. is a front elevational view thereof;

FIG. 3. is a rear elevational view thereof;

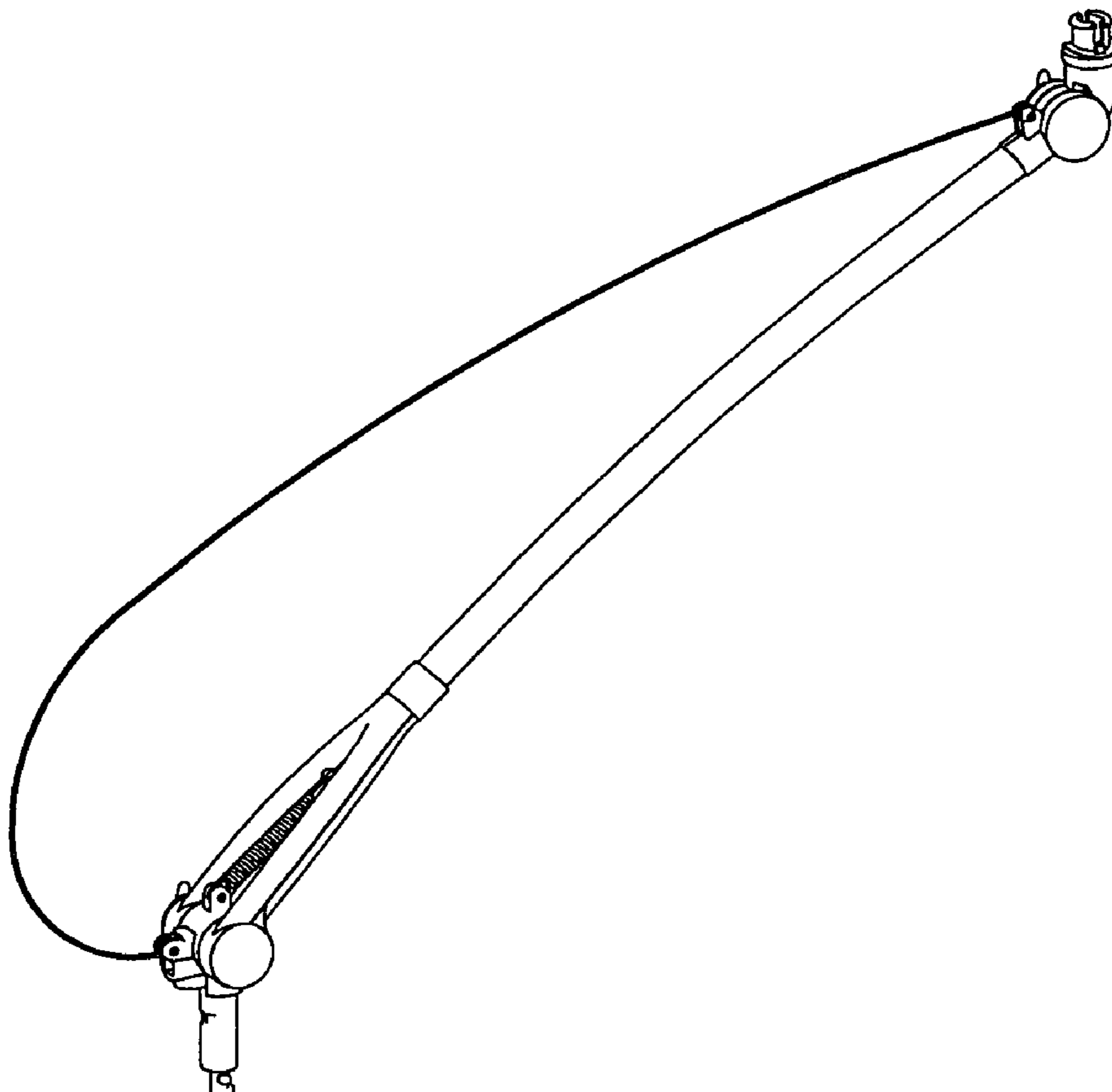
FIG. 4. is a left side elevational view thereof;

FIG. 5. is a right side elevational view thereof;

FIG. 6. is a top plan view thereof; and,

FIG. 7. is a bottom plan view thereof.

1 Claim, 4 Drawing Sheets



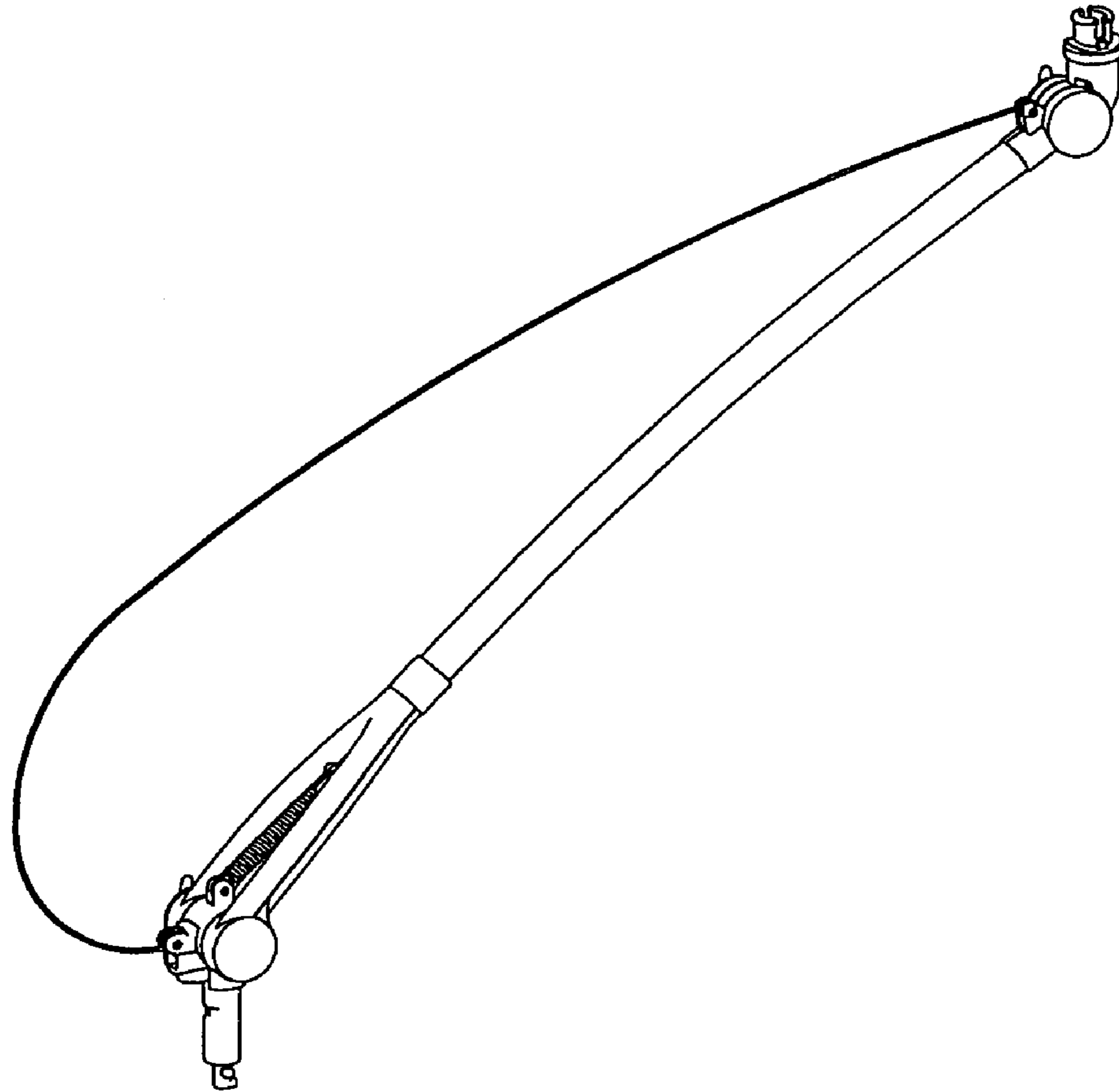


FIG. 1

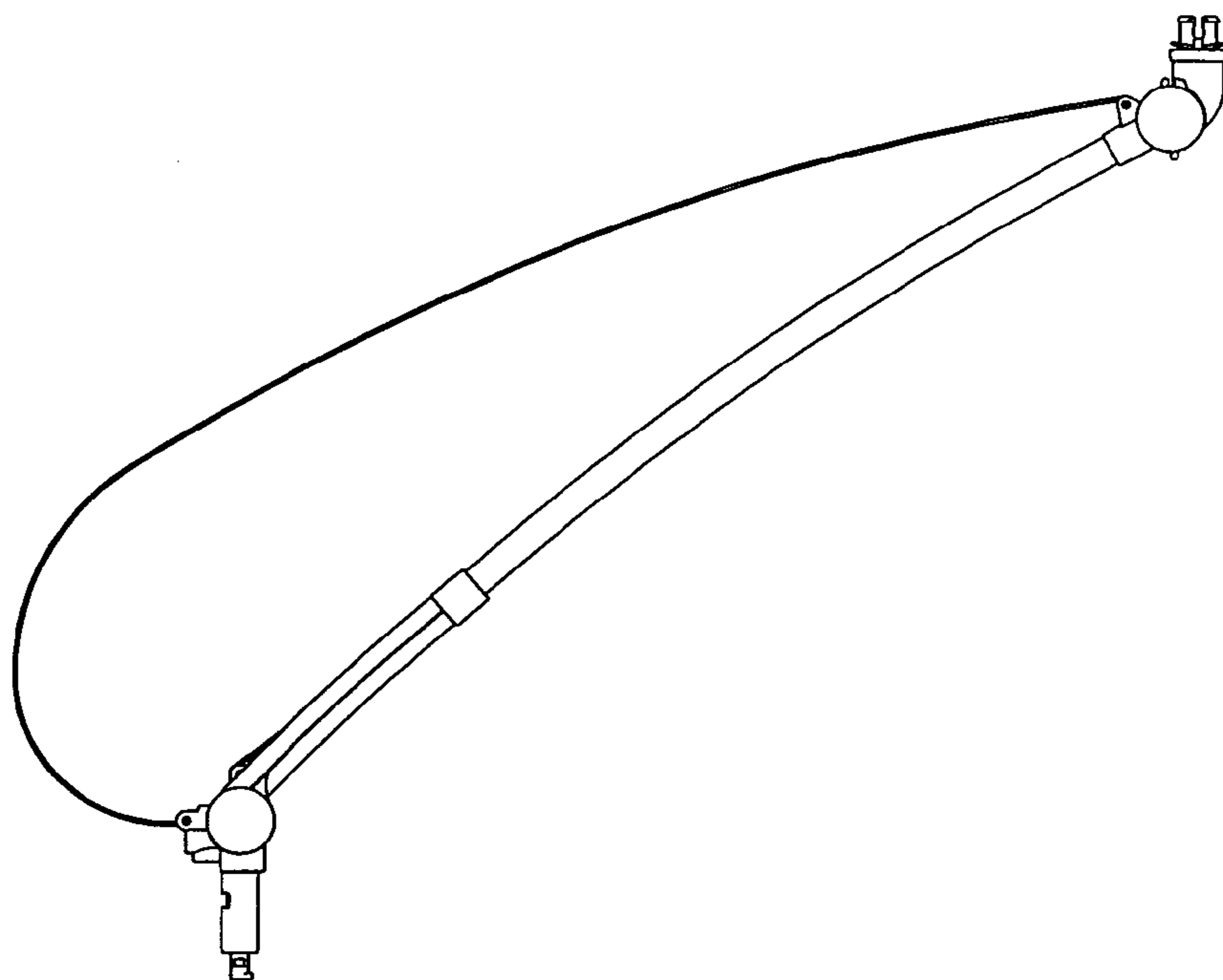


FIG. 2

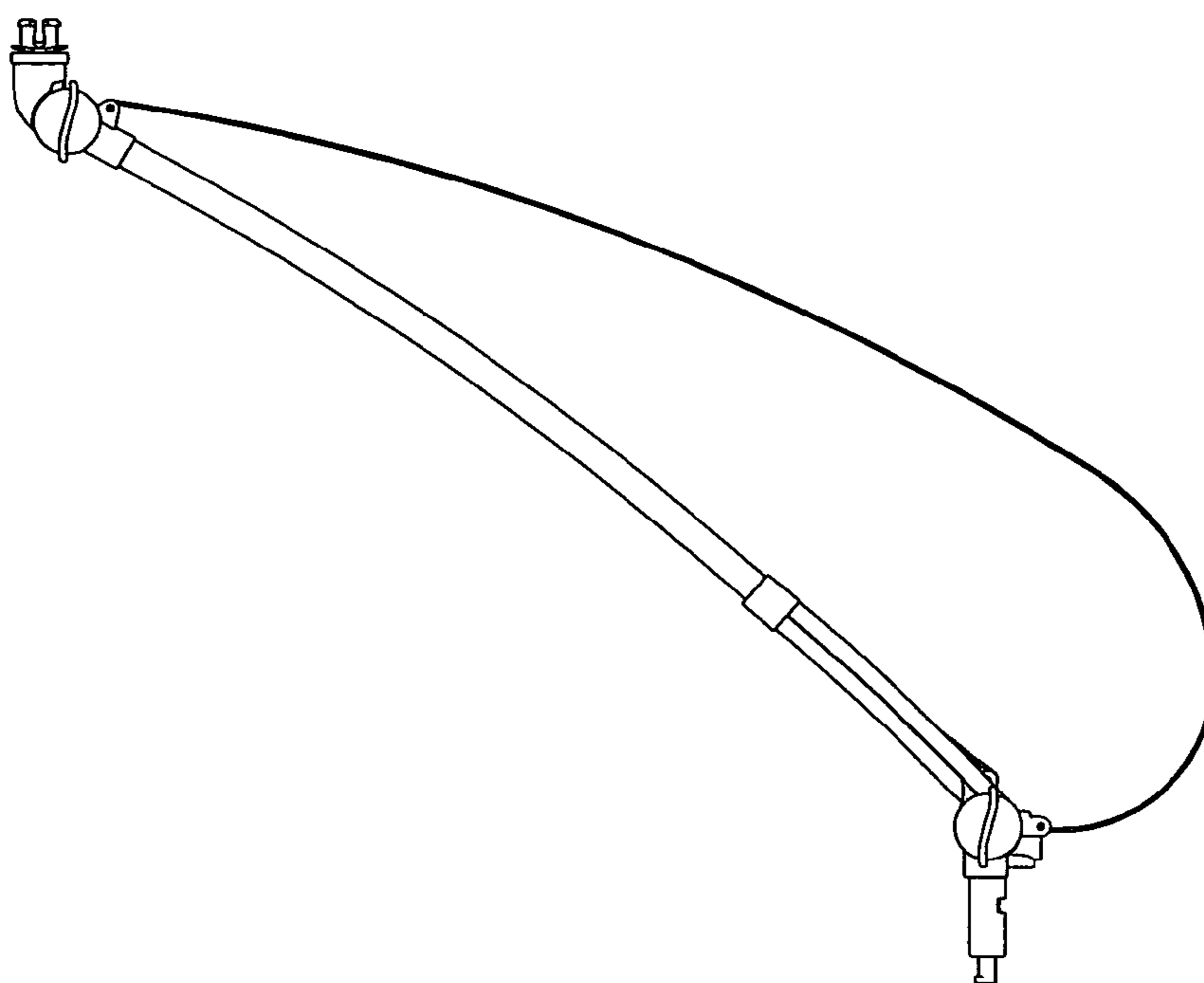


FIG. 3

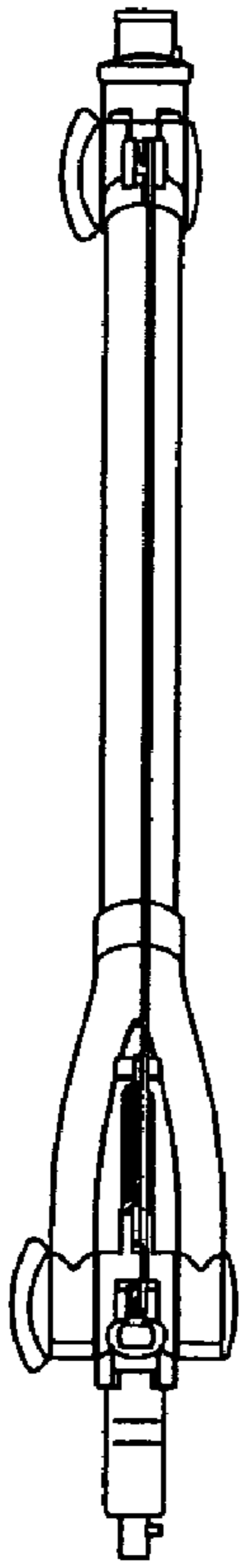


FIG. 4

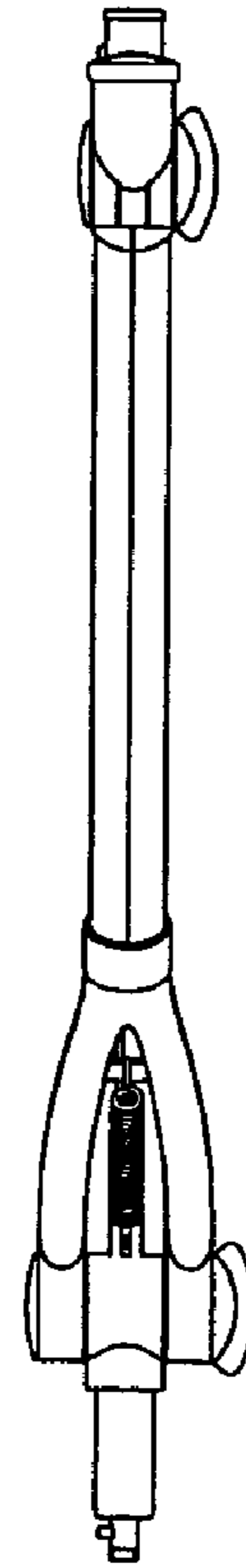


FIG. 5

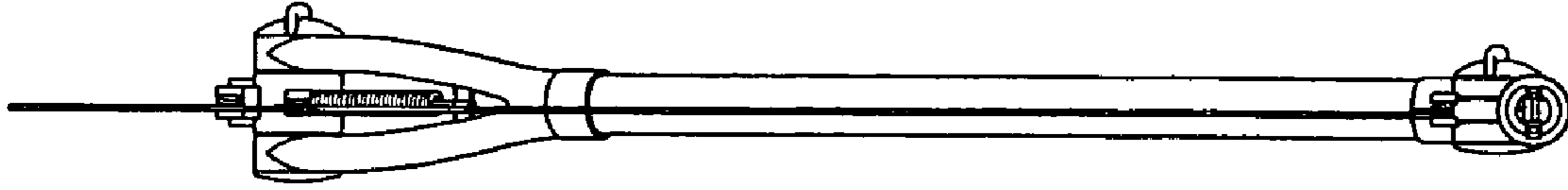


FIG. 6

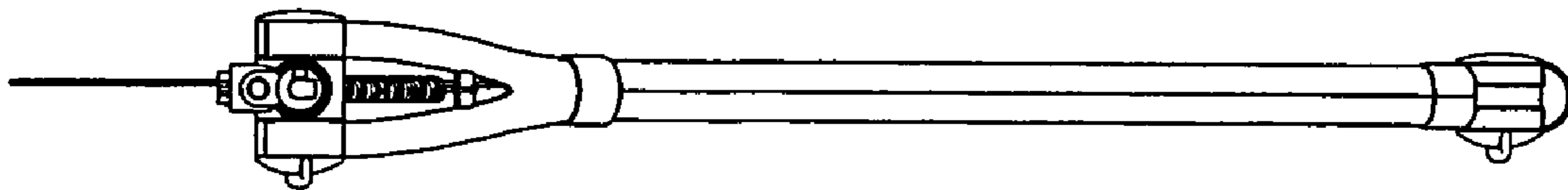


FIG. 7