



US00D552290S

(12) **United States Design Patent**
Duggan

(10) **Patent No.:** **US D552,290 S**

(45) **Date of Patent:** **** Oct. 2, 2007**

(54) **LIGHTING FIXTURE**

(75) Inventor: **Edward Benjamin Duggan,**
Cambridge, MA (US)

(73) Assignee: **Norwell, Inc.,** East Tauton, MA (US)

(**) Term: **14 Years**

(21) Appl. No.: **29/229,558**

(22) Filed: **May 9, 2005**

(51) **LOC (8) Cl.** **26-03**

(52) **U.S. Cl.** **D26/85**

(58) **Field of Classification Search** D26/72,
D26/85-87, 92; 362/147, 432, 404-408
See application file for complete search history.

(56) **References Cited**

U.S. PATENT DOCUMENTS

D138,830 S	*	9/1944	McCann	D26/92
D138,831 S	*	9/1944	McCann	D26/87
D152,994 S	*	3/1949	McCann	D26/87
D395,725 S	*	6/1998	West	D26/67
D403,097 S	*	12/1998	Littman	D26/87
D442,317 S	*	5/2001	Crosby	D26/87
D465,298 S	*	11/2002	Gottwald	D26/85

* cited by examiner

Primary Examiner—Clare E Heflin

(74) *Attorney, Agent, or Firm*—Albert Peter Durigon

(57) **CLAIM**

The ornamental design for a lighting fixture, as shown and described.

DESCRIPTION

FIG. 1 is a front isometric view of the lighting fixture of the present invention;

FIG. 2 is a front plan view of the lighting fixture of the present invention;

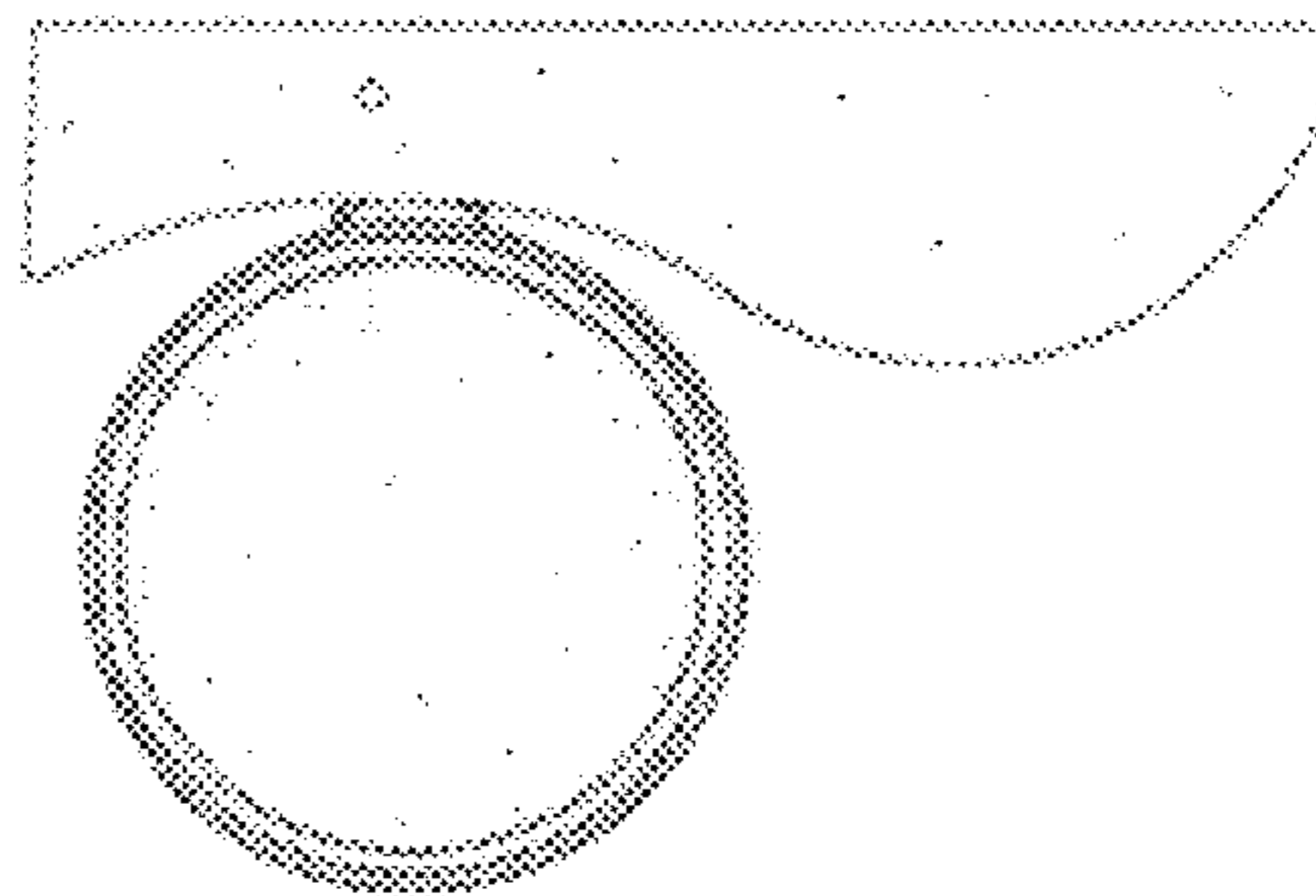
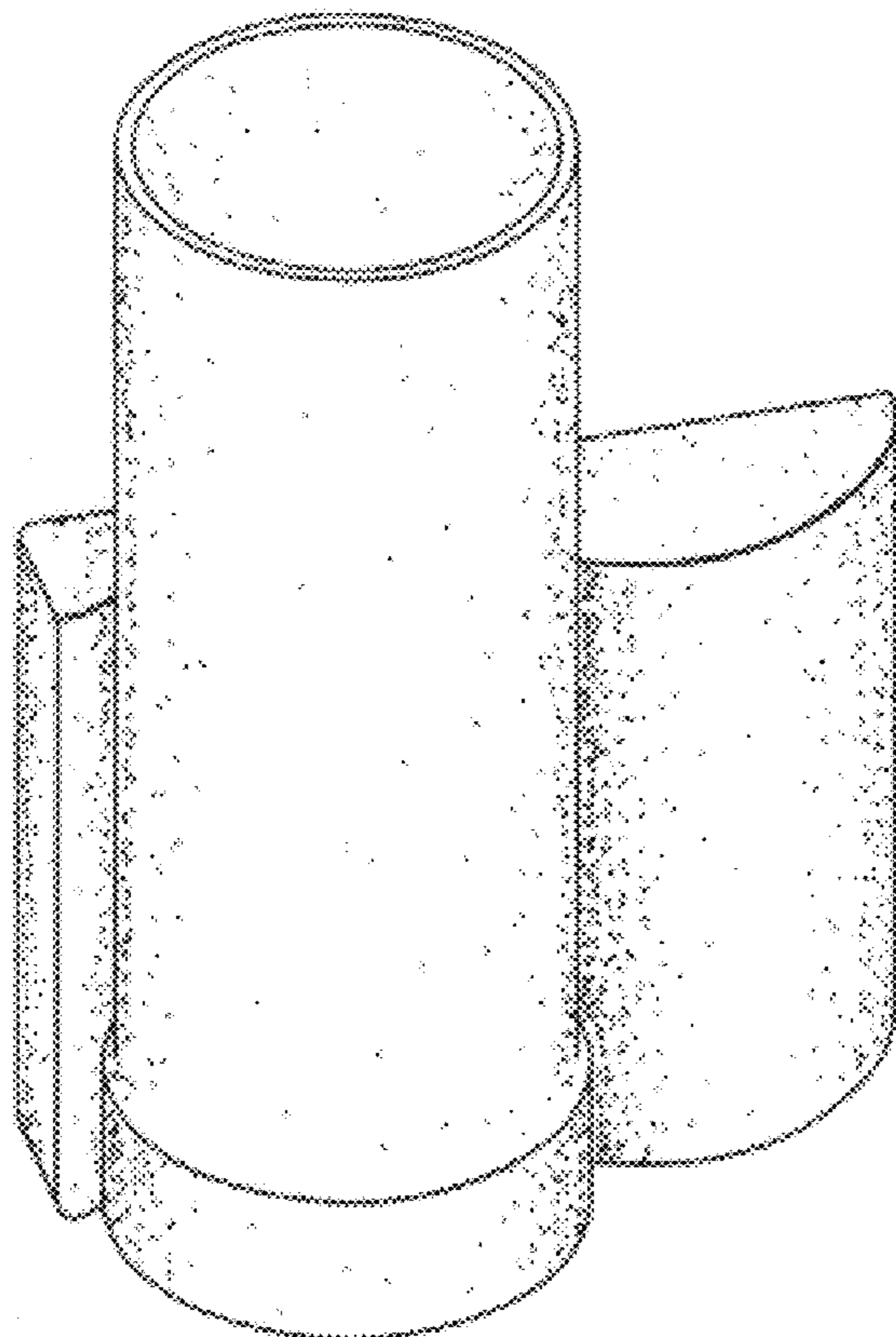
FIG. 3 is a back plan view of the lighting fixture of the present invention;

FIG. 4 is a left side elevational view of the novel lighting fixture of the present invention, the right side of which is shown in FIG. 5;

FIG. 6 is a top plan view of the lighting fixture of the present invention; and,

FIG. 7 is a bottom plan view of the lighting fixture of the present invention.

1 Claim, 6 Drawing Sheets



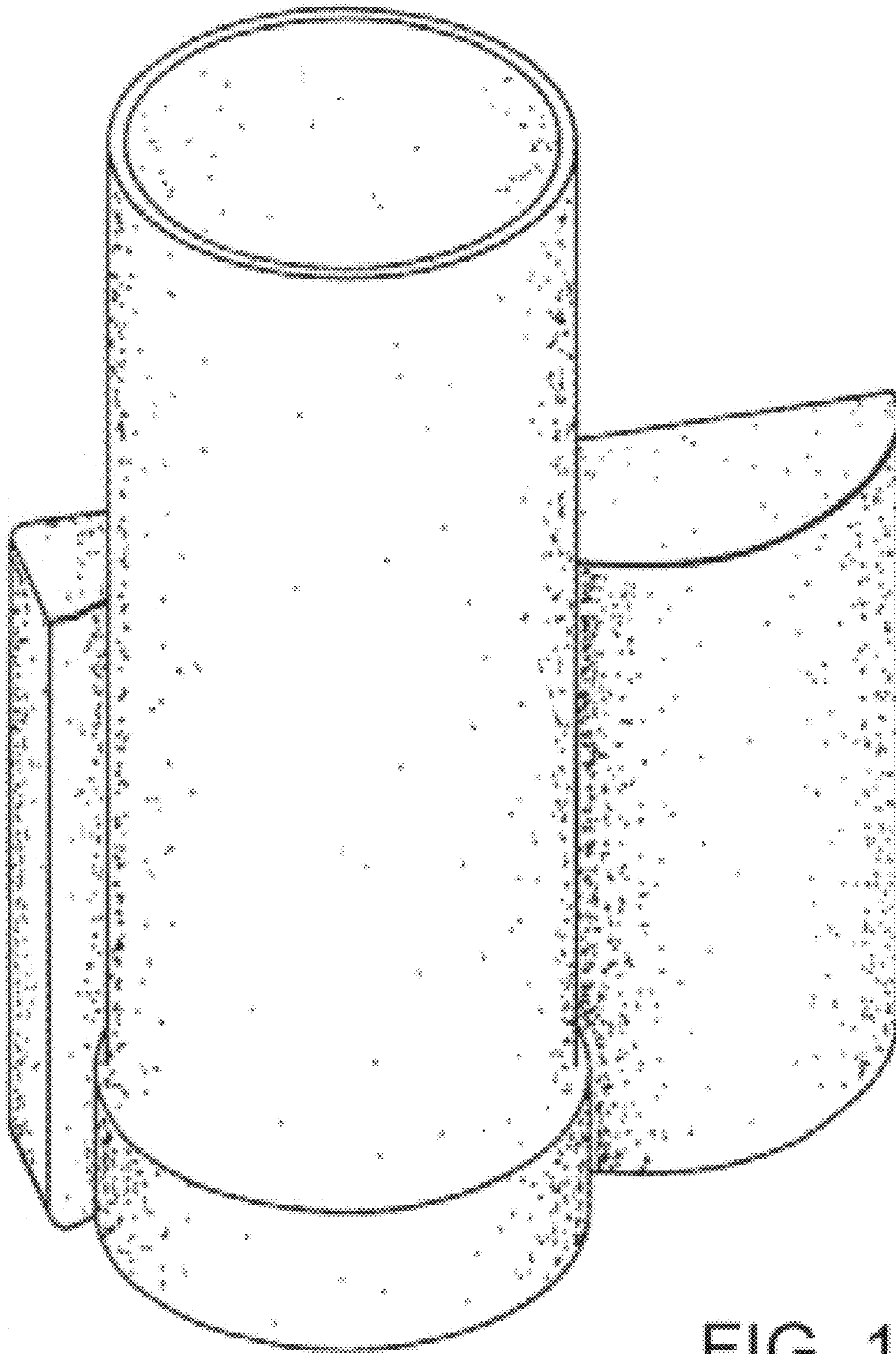


FIG. 1

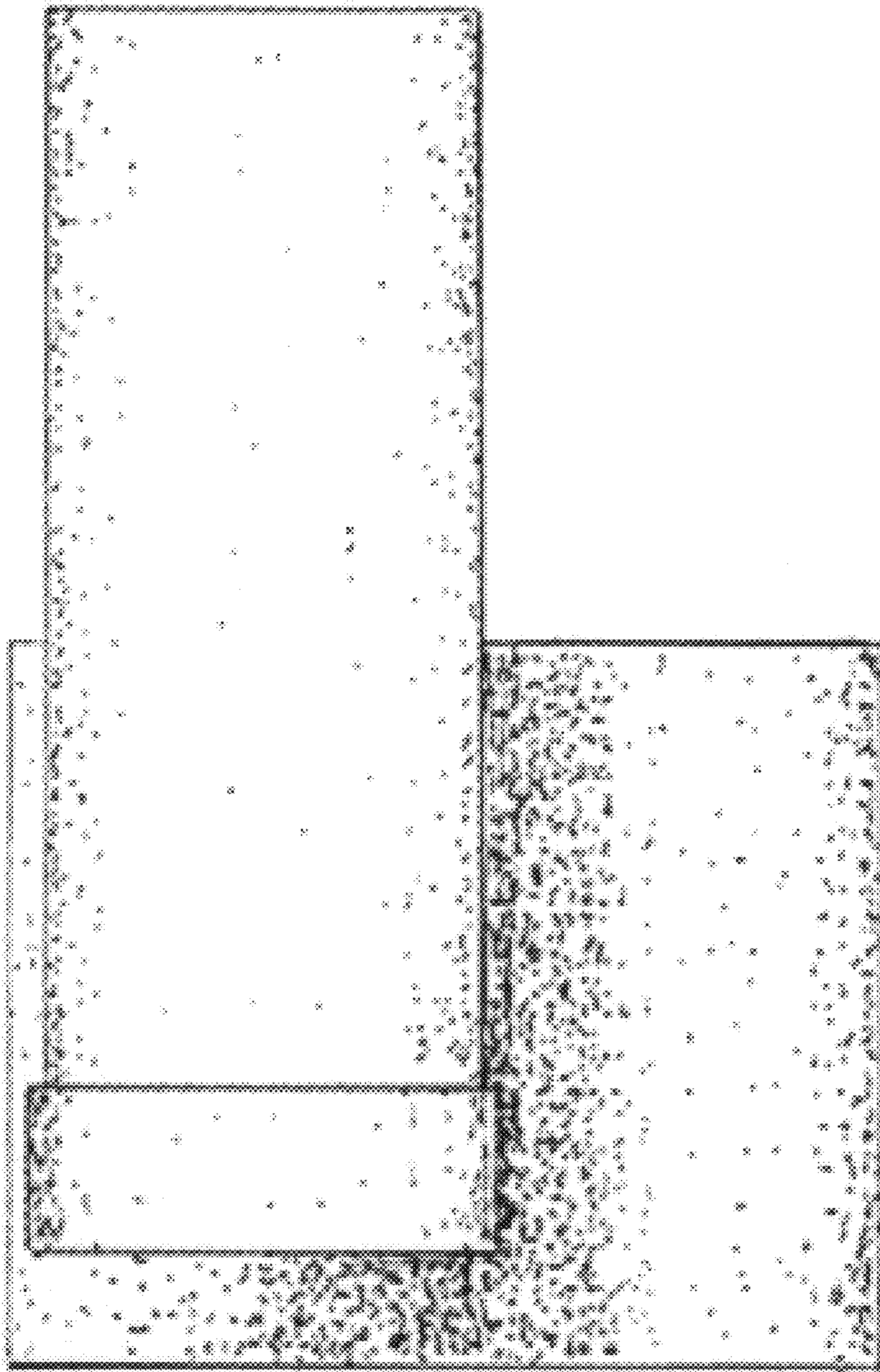


FIG. 2

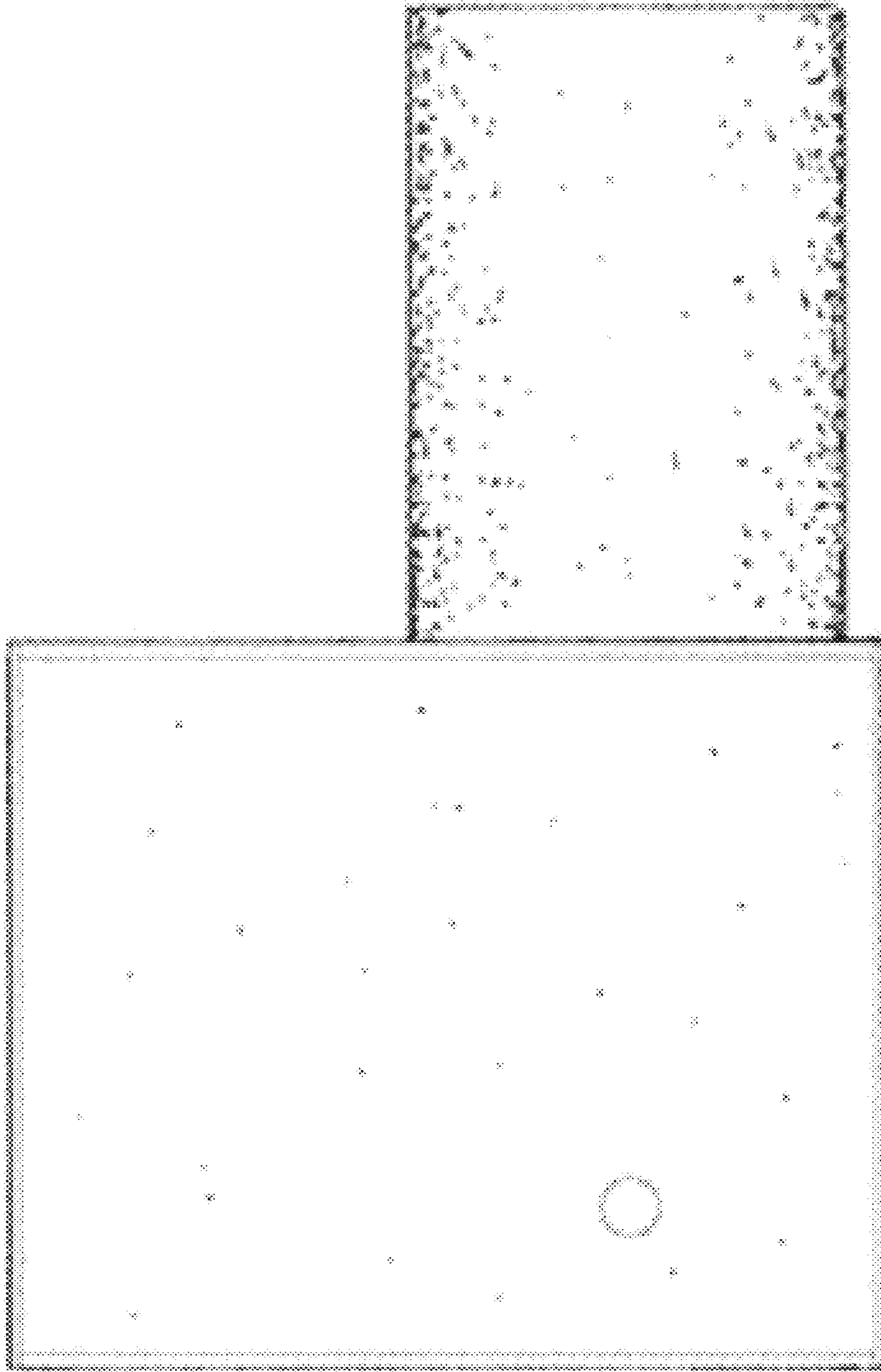


FIG. 3

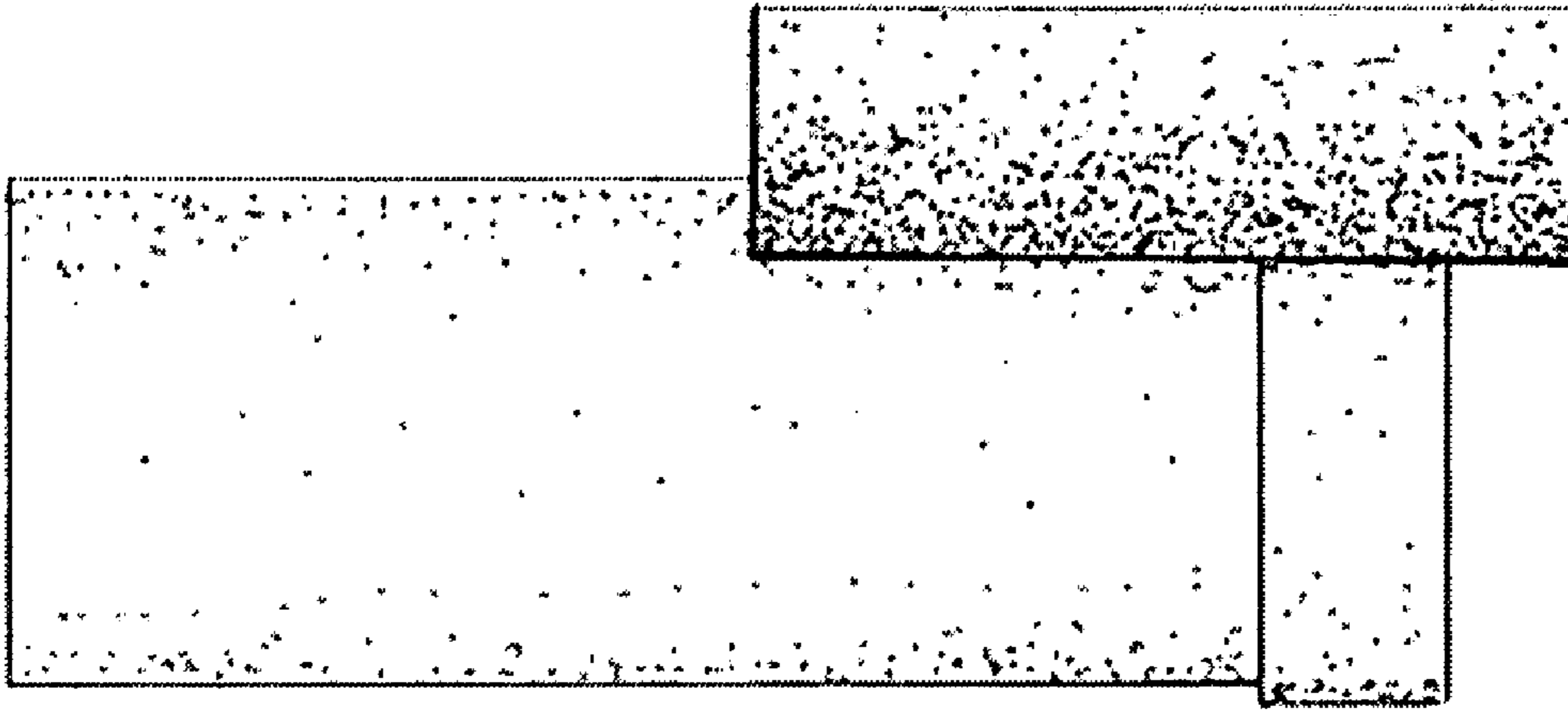


FIG. 5

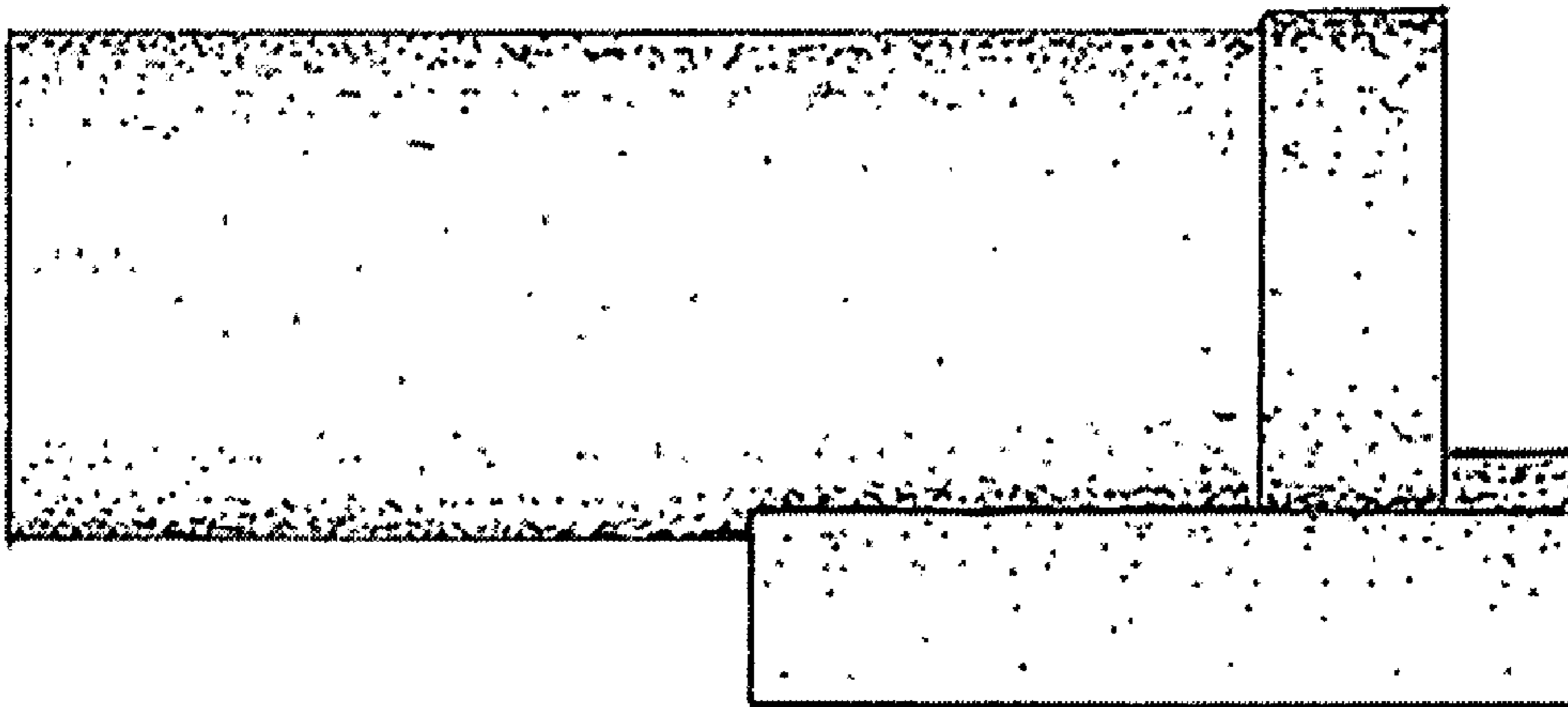


FIG. 4

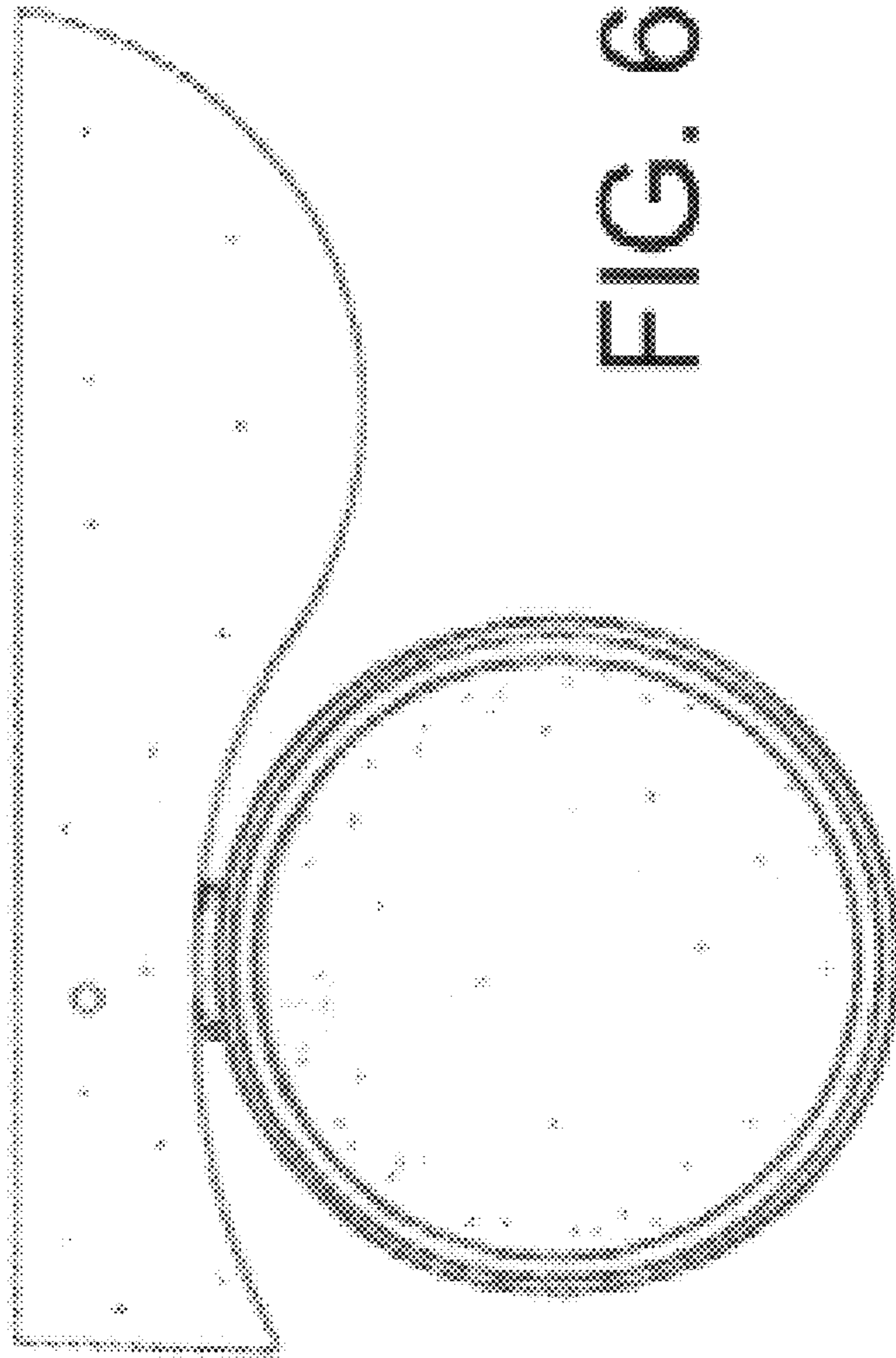


FIG. 6

FIG. 7

