



US00D552285S

(12) **United States Design Patent**  
**Richmond**

(10) **Patent No.:** **US D552,285 S**

(45) **Date of Patent:** **\*\* Oct. 2, 2007**

(54) **SOLAR-POWERED CATTAIL LIGHT**

Landscape Lighting fixtures No. 15345, No. 15344 and No. 15320 from p. 370 of the KICHLER 2004 catalog—104.\*

(76) Inventor: **Simon Nicholas Richmond**, 47  
Grasmere Way, Princeton, NJ (US)  
08540

\* cited by examiner

*Primary Examiner*—Clare E Heflin

(\*\*) Term: **14 Years**

(57) **CLAIM**

(21) Appl. No.: **29/267,076**

The ornamental design for a solar-powered cattail light, as shown and described.

(22) Filed: **Oct. 4, 2006**

(51) **LOC (8) Cl.** ..... **26-05**

(52) **U.S. Cl.** ..... **D26/73; D26/68**

(58) **Field of Classification Search** ..... D26/8,  
D26/67, 68, 71, 73, 85, 118, 128–130, 138,  
D26/152; 362/145, 152, 153, 153.1, 183,  
362/266, 431, 312, 314, 356, 363, 415, 806;  
431/320

See application file for complete search history.

**DESCRIPTION**

FIG. 1 is a perspective view of a solar-powered cattail light in accordance with the present invention;

FIG. 2 is a first side view of the solar-powered cattail light shown in FIG. 1;

FIG. 3 is a second side view of the solar-powered cattail light shown in FIG. 1;

FIG. 4 is a third side view of the solar-powered cattail light shown in FIG. 1;

FIG. 5 is a fourth side view of the solar-powered cattail light shown in FIG. 1;

FIG. 6 is a top view of the solar-powered cattail light shown in FIG. 1; and,

FIG. 7 is a bottom view of the solar-powered cattail light shown in FIG. 1.

The broken lines are for illustrative purposes only and form no part of the claimed design.

(56) **References Cited**

**U.S. PATENT DOCUMENTS**

D184,226 S *	1/1959	Guggemos	.....	D26/68
D354,366 S *	1/1995	Kay	.....	D26/68
5,626,418 A *	5/1997	Angelis et al.	.....	362/431
D385,375 S *	10/1997	Porter et al.	.....	D26/73
D426,012 S *	5/2000	Giese et al.	.....	D26/68
D440,000 S *	4/2001	Milicia	.....	D26/68
D443,376 S *	6/2001	Lindsay	.....	D26/68
D443,711 S *	6/2001	Lindsay	.....	D26/68
D475,153 S *	5/2003	Brunner et al.	.....	D26/67
D495,445 S *	8/2004	Cooper et al.	.....	D26/67

**OTHER PUBLICATIONS**

“LV Jungle Shade” landscape light and “LV Landscape Light With Green Lily Shade” from page downloaded from lampsplus.com on Mar. 16, 2004.\*

**1 Claim, 3 Drawing Sheets**

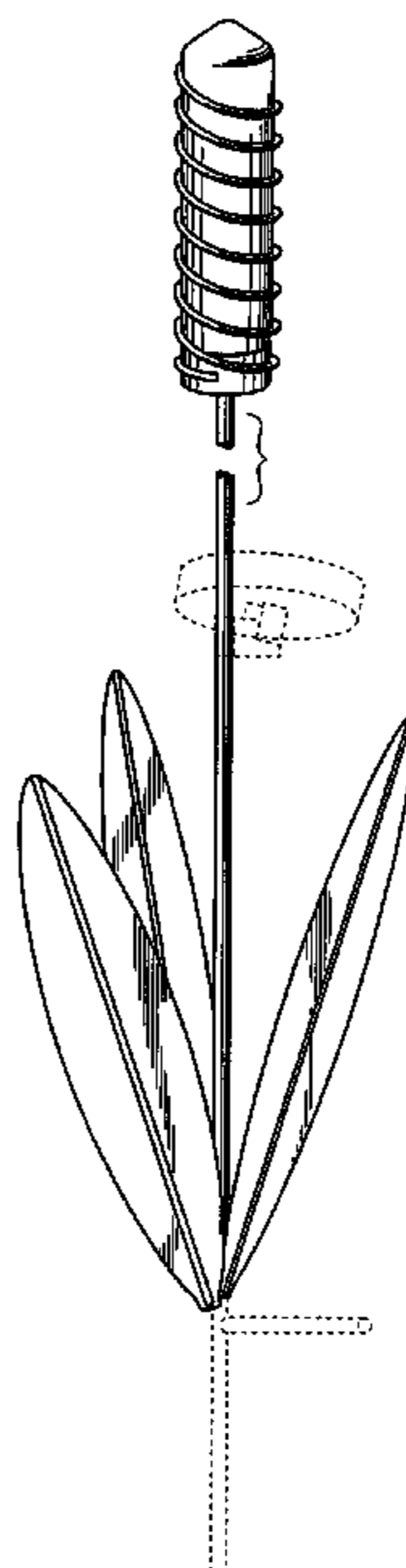


Fig. 1

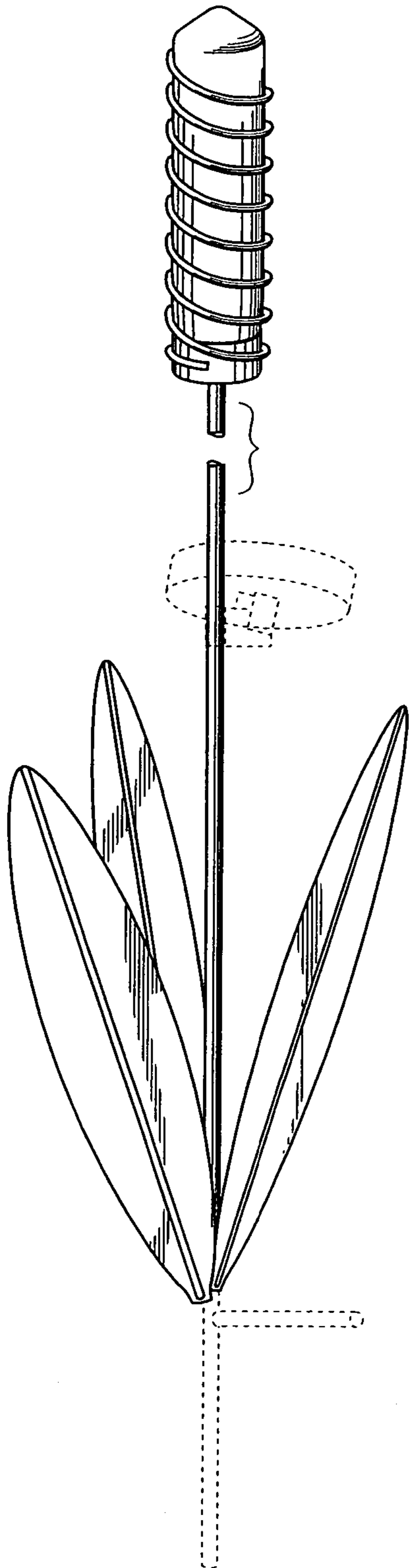


Fig. 2

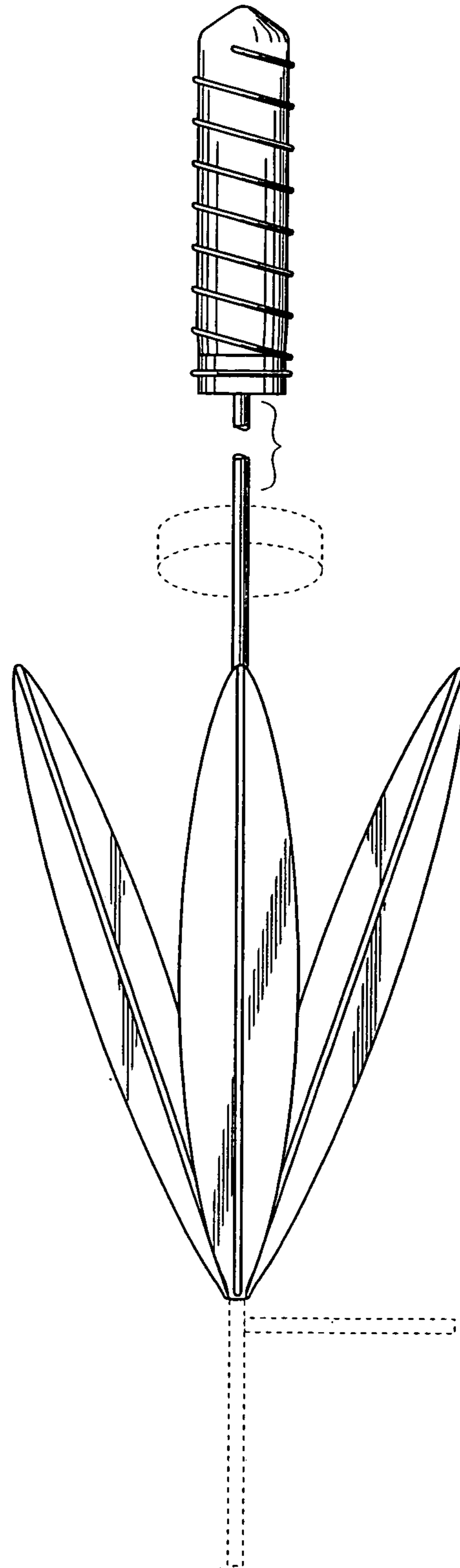


Fig. 3

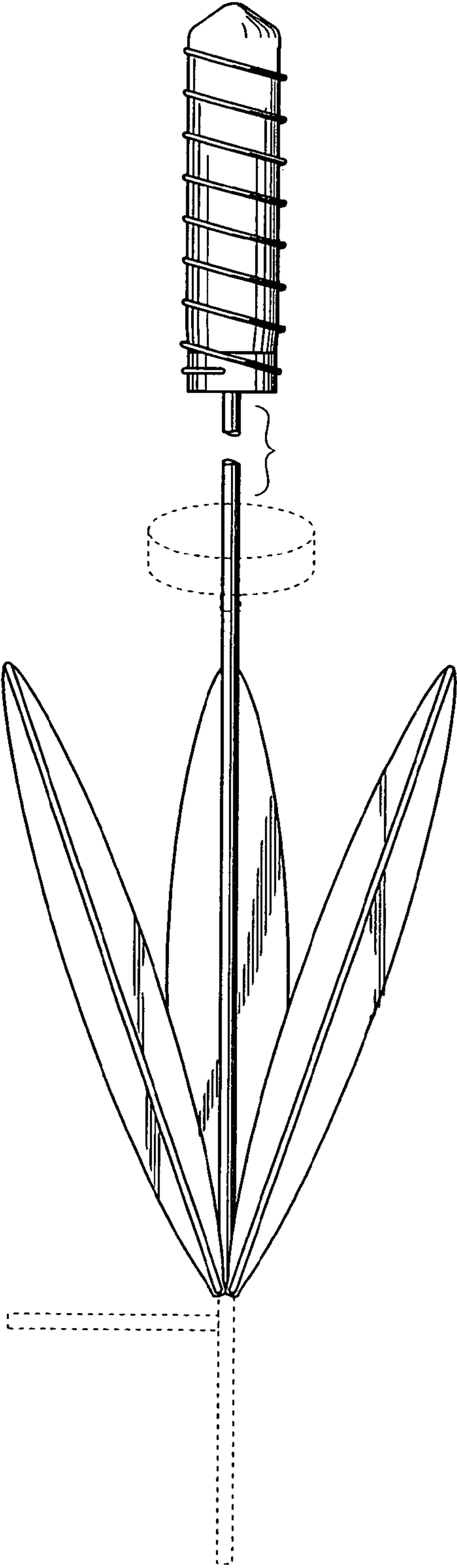


Fig. 4

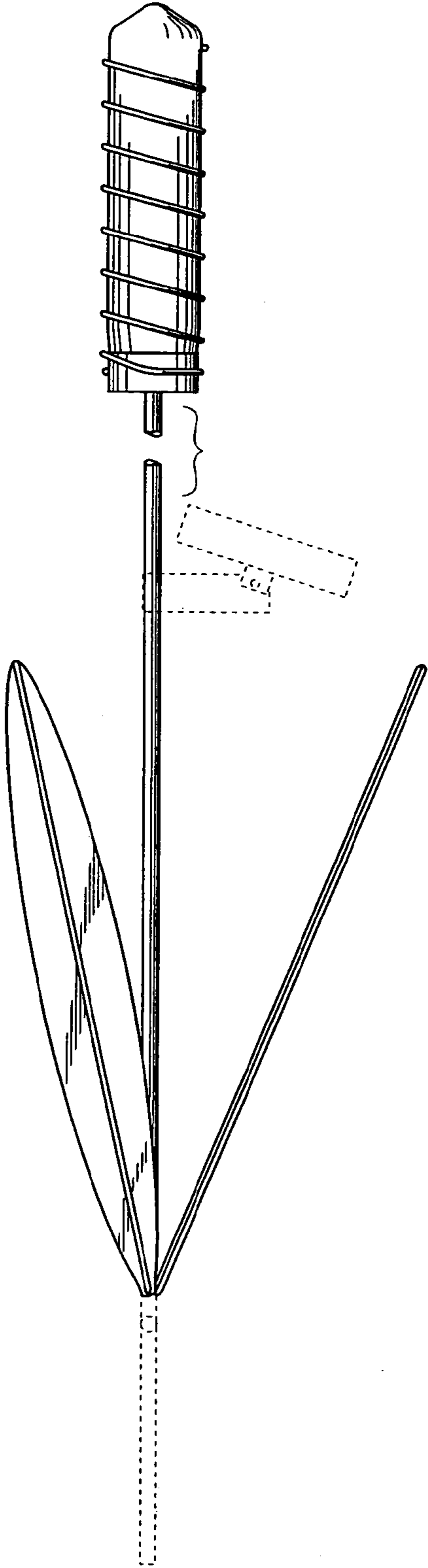


Fig. 5

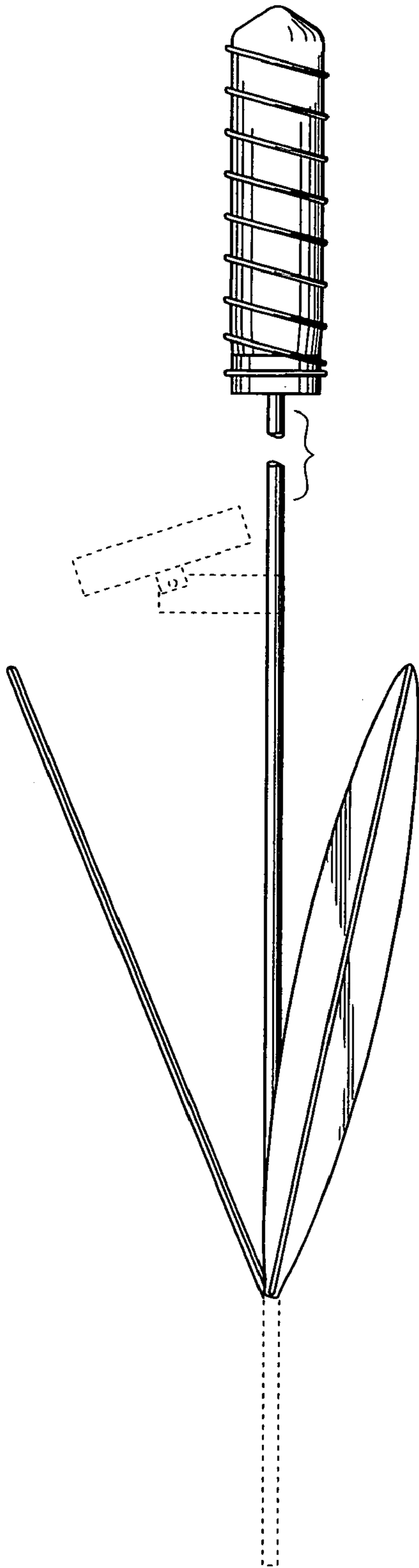


Fig. 6

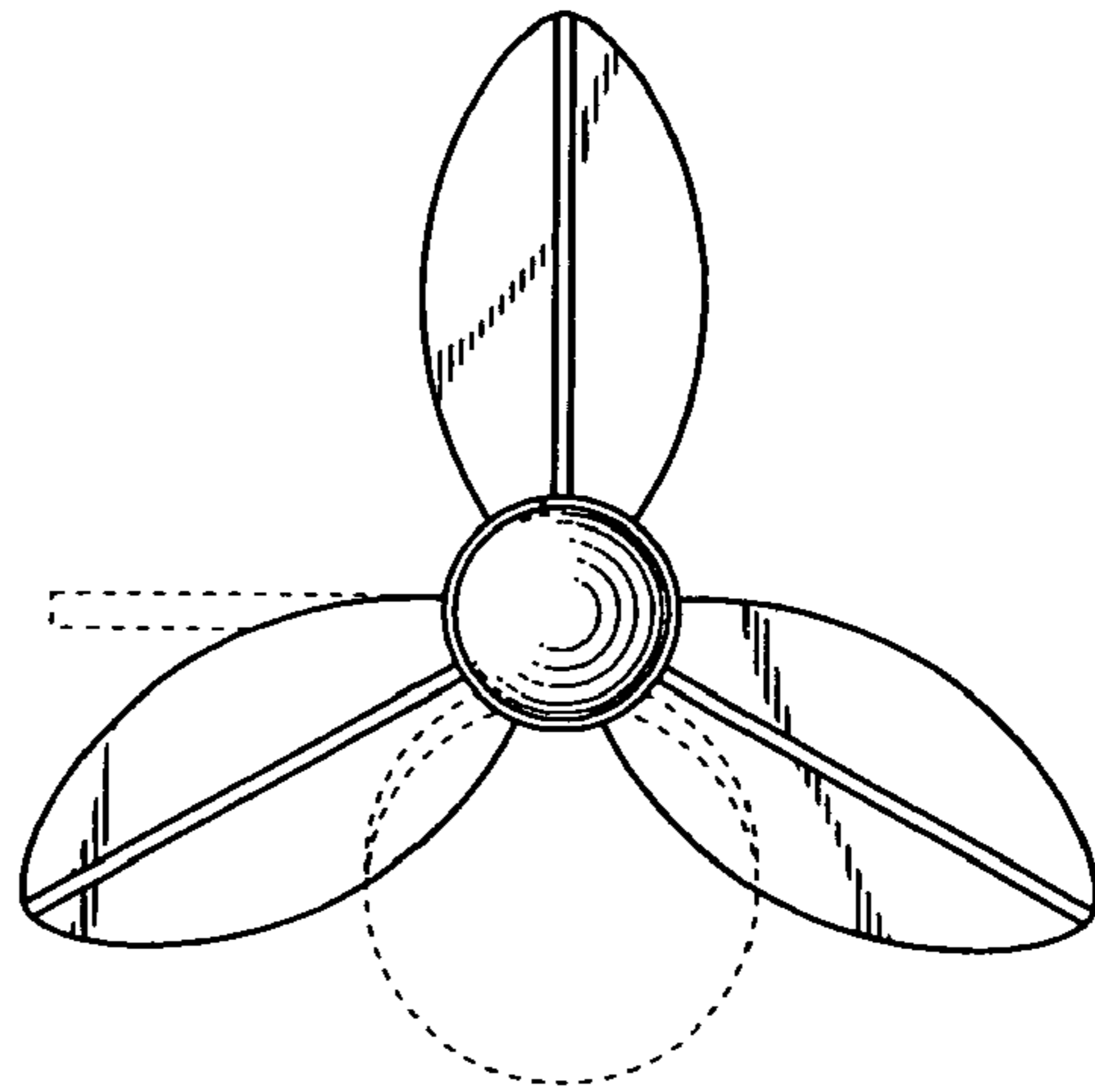


Fig. 7

