



US00D552284S

(12) **United States Design Patent**
Kosche et al.

(10) **Patent No.:** **US D552,284 S**

(45) **Date of Patent:** **** Oct. 2, 2007**

(54) **SPOT LIGHT**

D417,519 S * 12/1999 Cutler D26/63
D493,243 S * 7/2004 Burnet D26/63

(75) Inventors: **Henk Kosche**, Lüdenscheid (DE); **Alois Dworschak**, Lüdenscheid (DE)

OTHER PUBLICATIONS

The Hinkley Coastal Series Square Copper Landscape Floodlight. Found at lampsplus.com on Sep. 1, 2005.*
The W.A.C. White Diecast Trackhead for Lightolier Track. Found at lampsplus.com on Sep. 1, 2005.*
The W.A.C. MR16 Low Voltage Halogen Track Head. Found at Lampsplus.com on Sep. 1, 2005.*

(73) Assignee: **Erco Leuchten GmbH**, Ludenscheid (DE)

(**) Term: **14 Years**

* cited by examiner

(21) Appl. No.: **29/263,464**

Primary Examiner—Clare E Heflin

(22) Filed: **Jul. 24, 2006**

(74) *Attorney, Agent, or Firm*—Andrew Wilford

(30) **Foreign Application Priority Data**

Mar. 3, 2006 (EM) 000488929

(57) **CLAIM**

(51) **LOC (8) Cl.** **26-05**

The ornamental design for a spot light, as shown and described.

(52) **U.S. Cl.** **D26/63**

(58) **Field of Classification Search** D26/61,
D26/63, 66, 71, 72; 362/269–271, 273, 285,
362/287, 289, 372, 396, 418, 426, 427, 430,
362/648, 650

DESCRIPTION

See application file for complete search history.

FIG. 1 is a rear view of the spot light according to the invention with the lamp aimed straight forward;

FIG. 2 is a front view of the spot light with the lamp aimed to the side and up at an angle of about 45°;

(56) **References Cited**

U.S. PATENT DOCUMENTS

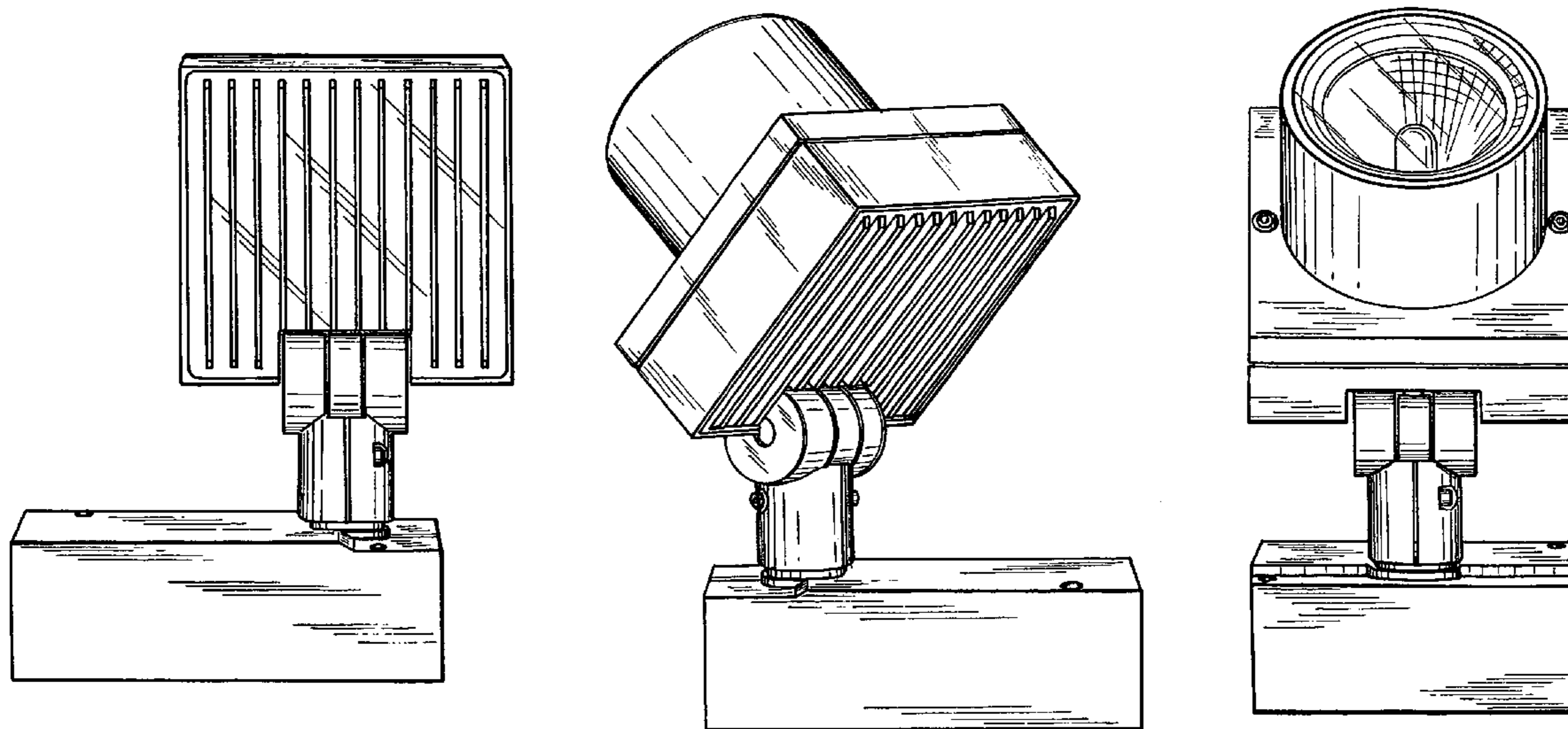
D104,401 S * 5/1937 Kanter D26/63
D231,559 S * 4/1974 Darling et al. D26/63
D293,478 S * 12/1987 Palone D26/63
D297,670 S * 9/1988 Douenias D26/63
D316,456 S * 4/1991 De Candia D26/63
D350,621 S * 9/1994 Yuen D26/63

FIG. 3 is a front view but with the lamp aimed upward and diagonally toward the rear;

FIG. 4 is a front view but with the lamp aimed straight forward; and,

FIG. 5 is a left side view of the spot light with the lamp aimed as in FIG. 2.

1 Claim, 5 Drawing Sheets



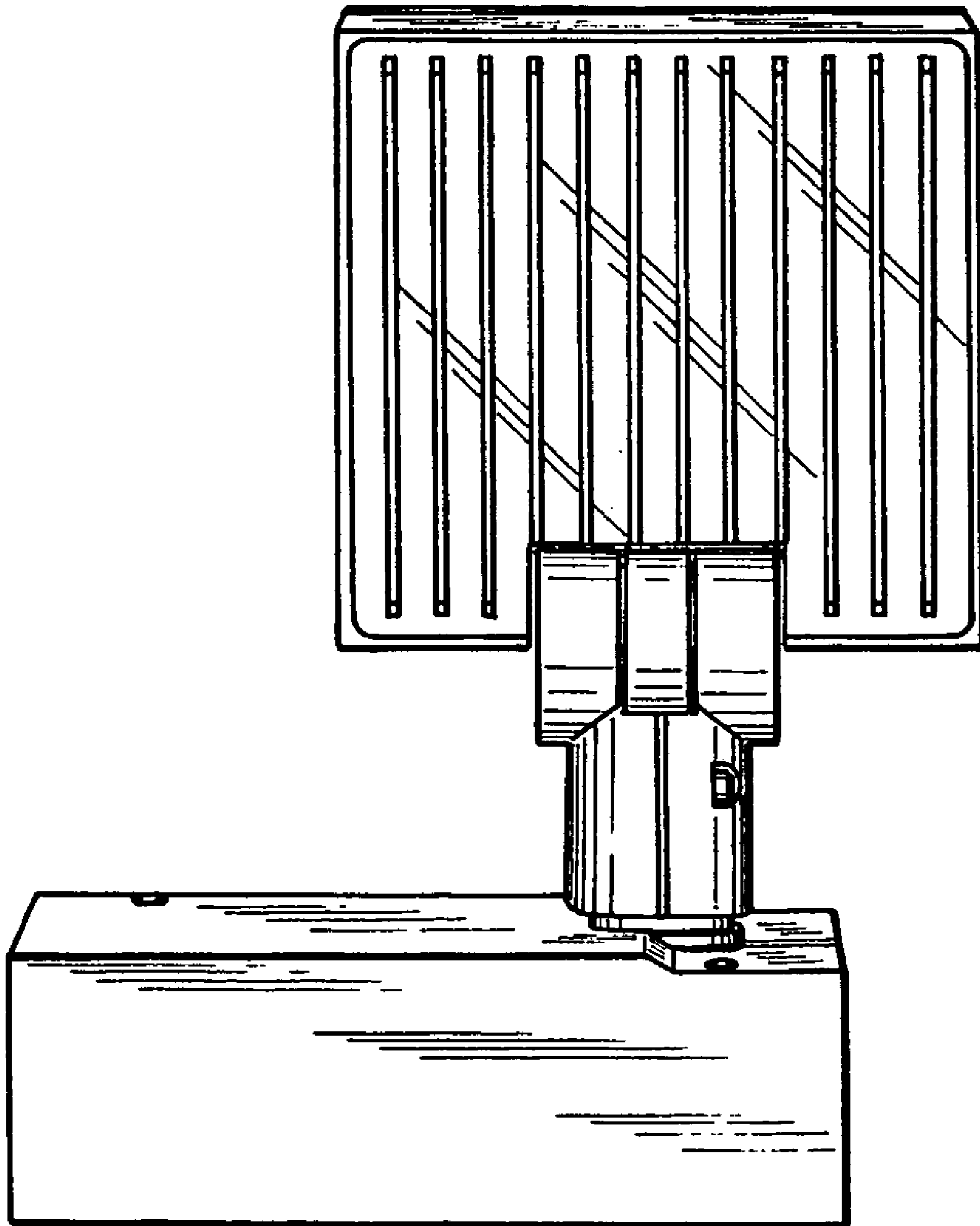


FIG. 1

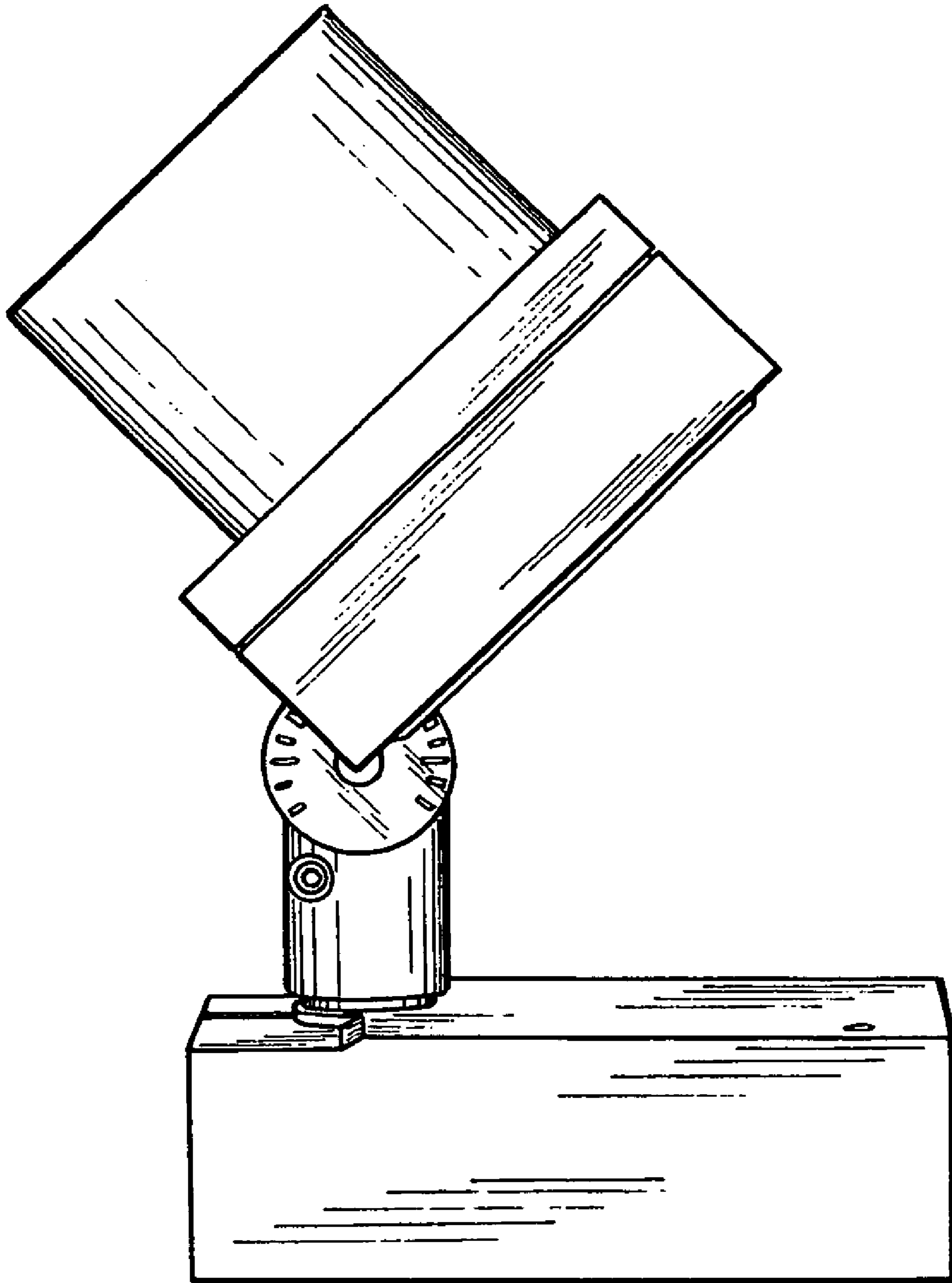


FIG. 2

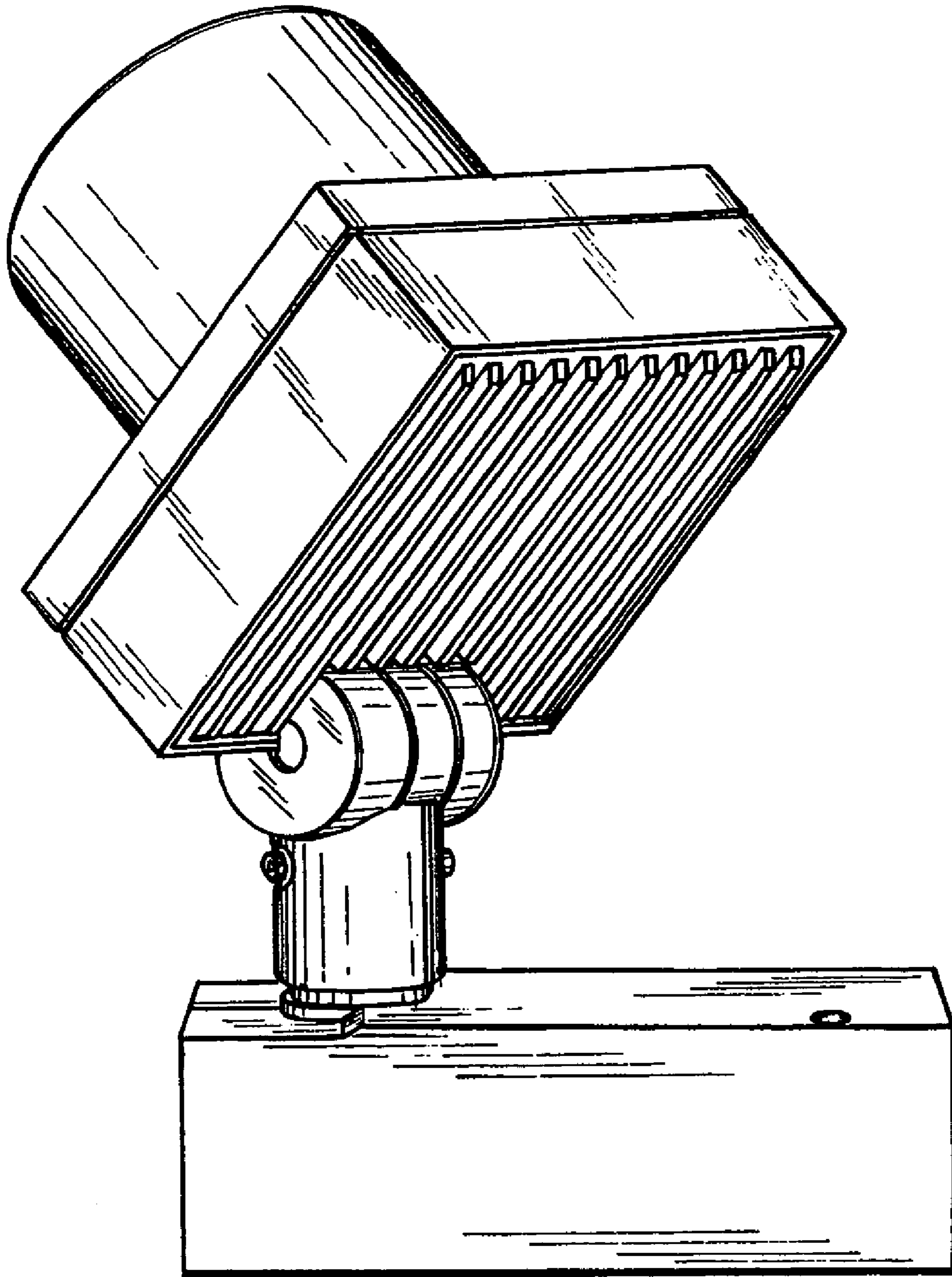


FIG. 3

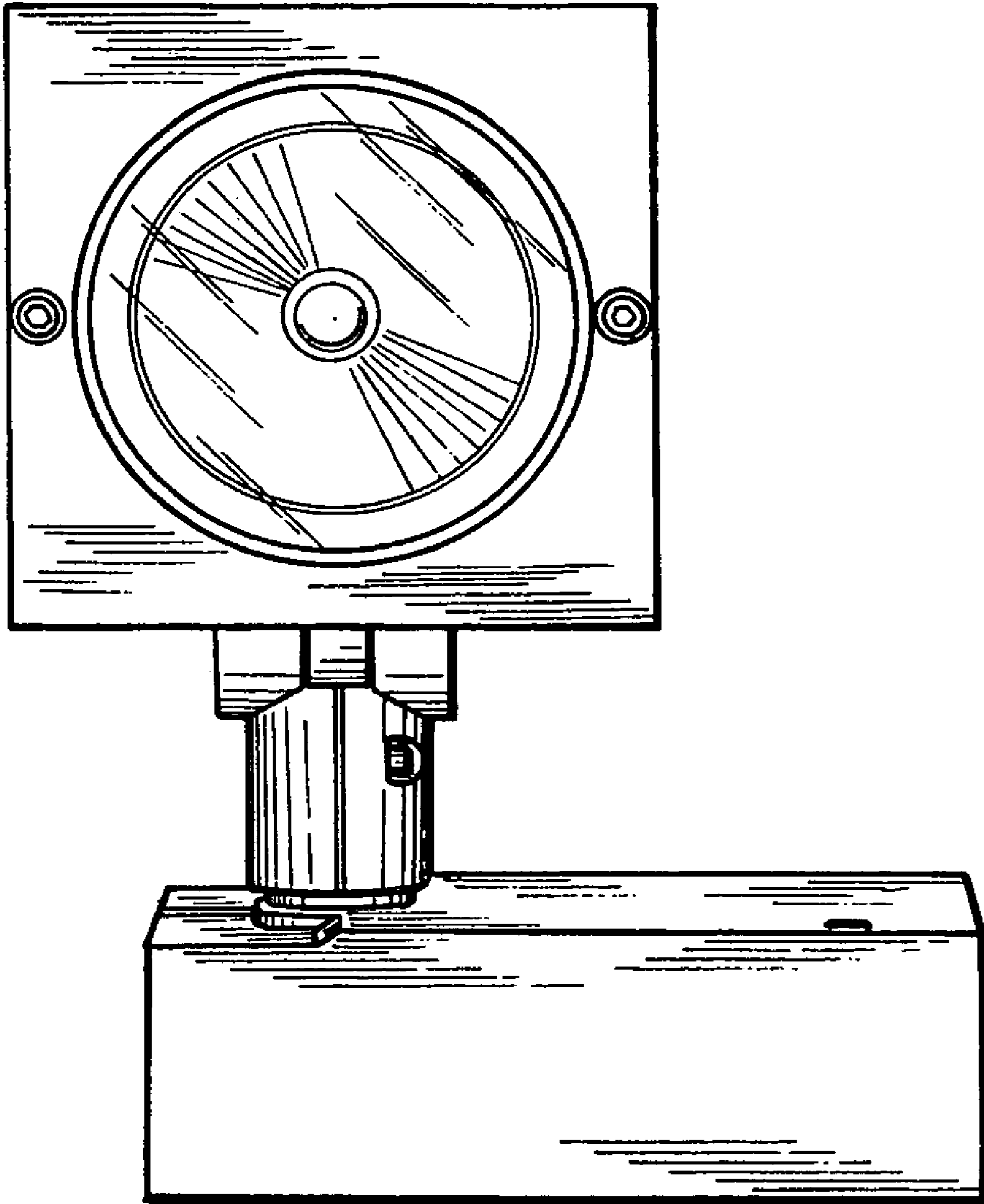


FIG. 4

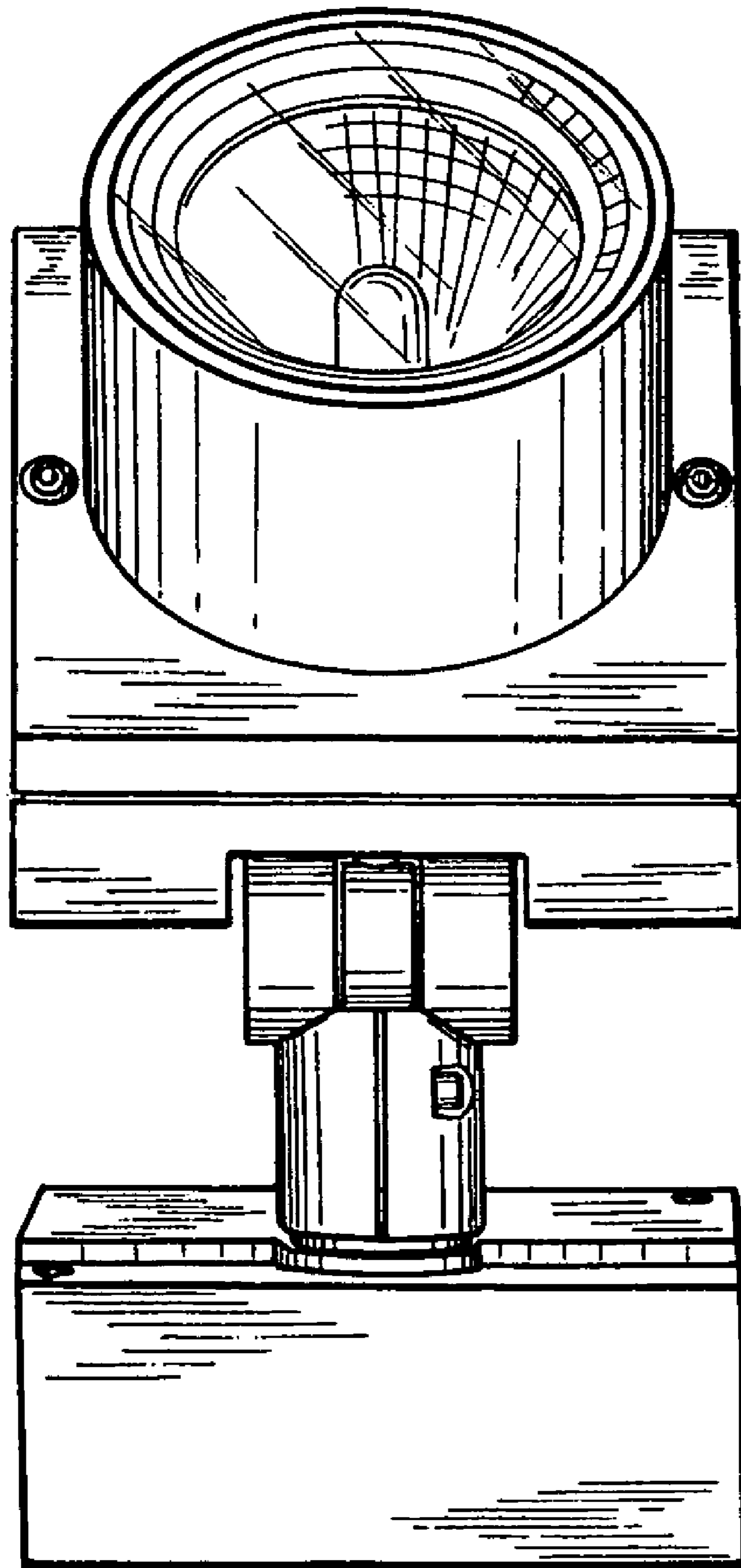


FIG. 5