



US00D552280S

(12) **United States Design Patent** (10) **Patent No.:** **US D552,280 S**
Osiecki et al. (45) **Date of Patent:** **** Oct. 2, 2007**

(54) **FLASHLIGHT**

(75) Inventors: **Scott W. Osiecki**, Skaneateles, NY (US); **Robert S. Englert**, Syracuse, NY (US); **Todd B. Abernethy**, Syracuse, NY (US)

(73) Assignee: **Eveready Battery Company, Inc.**, St. Louis, MO (US)

(**) Term: **14 Years**

(21) Appl. No.: **29/266,097**

(22) Filed: **Sep. 14, 2006**

(51) **LOC (8) Cl.** **26-02**

(52) **U.S. Cl.** **D26/44**

(58) **Field of Classification Search** D26/37, D26/38, 43, 44, 45, 48; 362/612, 555, 578, 362/33, 109, 157, 158, 159, 174, 183, 187, 362/188, 192, 193

See application file for complete search history.

(56) **References Cited**

U.S. PATENT DOCUMENTS

D378,434 S *	3/1997	Petterson et al.	D26/44
D402,070 S *	12/1998	Poon	D26/44
D444,582 S *	7/2001	Poon	D26/44
D467,375 S *	12/2002	Lynch et al.	D26/44
D507,064 S *	7/2005	Osiecki et al.	D26/37
D536,464 S *	2/2007	Kingston et al.	D26/43

* cited by examiner

Primary Examiner—Ian Simmons

Assistant Examiner—Carissa Fitts

(74) *Attorney, Agent, or Firm*—Gregory J. Adams

(57) **CLAIM**

We claim the ornamental design for a flashlight, as shown and described.

DESCRIPTION

FIG. 1 is a view showing the top left perspective of the flashlight of the present invention;

FIG. 2 is top view of the flashlight of the present invention;

FIG. 3 is a bottom view of the flashlight of the present invention;

FIG. 4 is a right side view of the flashlight of the present invention;

FIG. 5 is a left side view of the flashlight of the present invention;

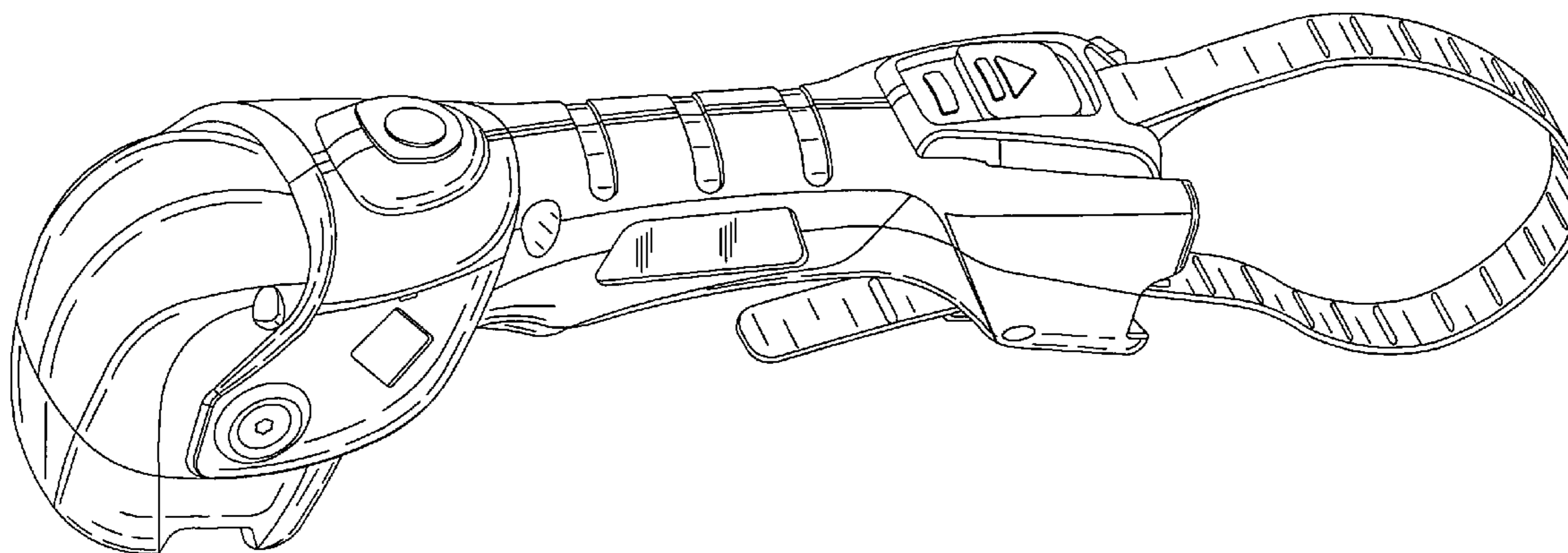
FIG. 6 is a front view of the flashlight of the present invention;

FIG. 7 is a rear view of the flashlight of the present invention;

FIG. 8 is a right side view of the flashlight of the present invention in an alternate position; and,

FIG. 9 is a right side view of the flashlight of the present invention in a second alternate position.

1 Claim, 8 Drawing Sheets



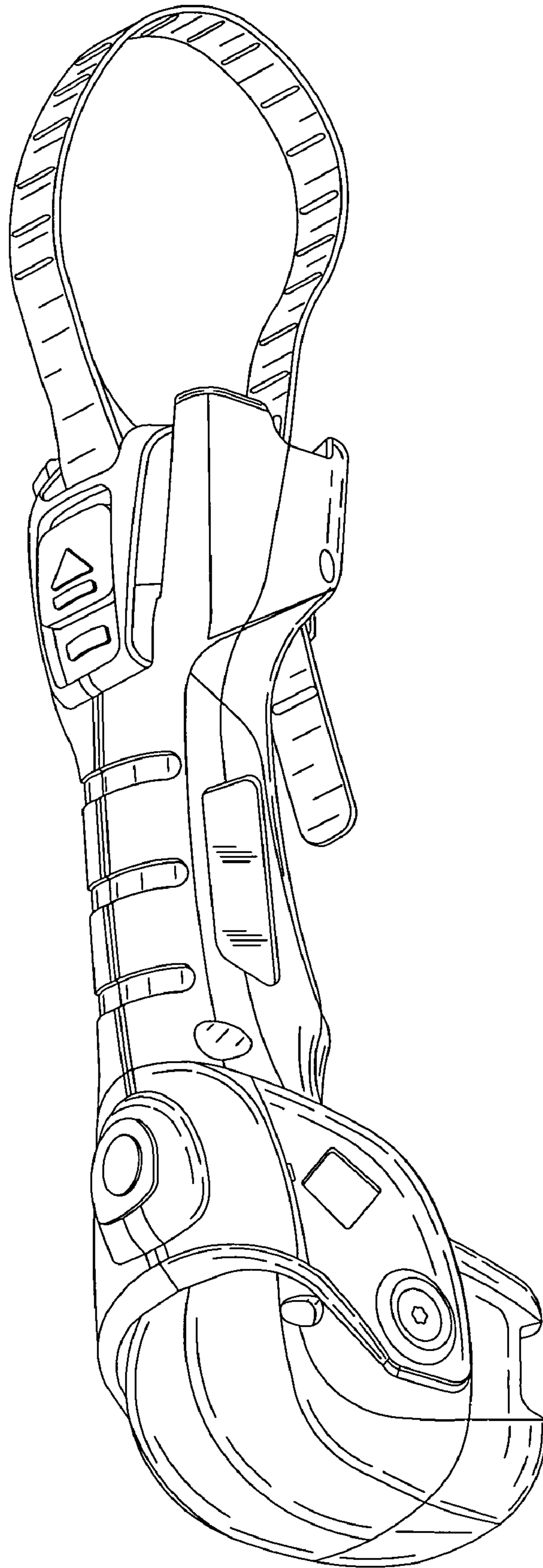


Fig. 1

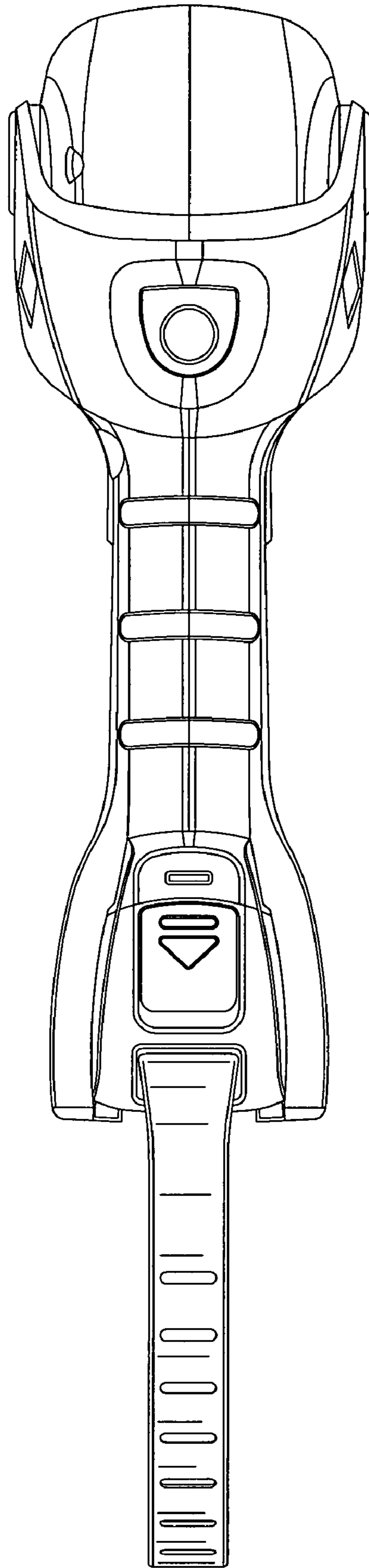


Fig. 2

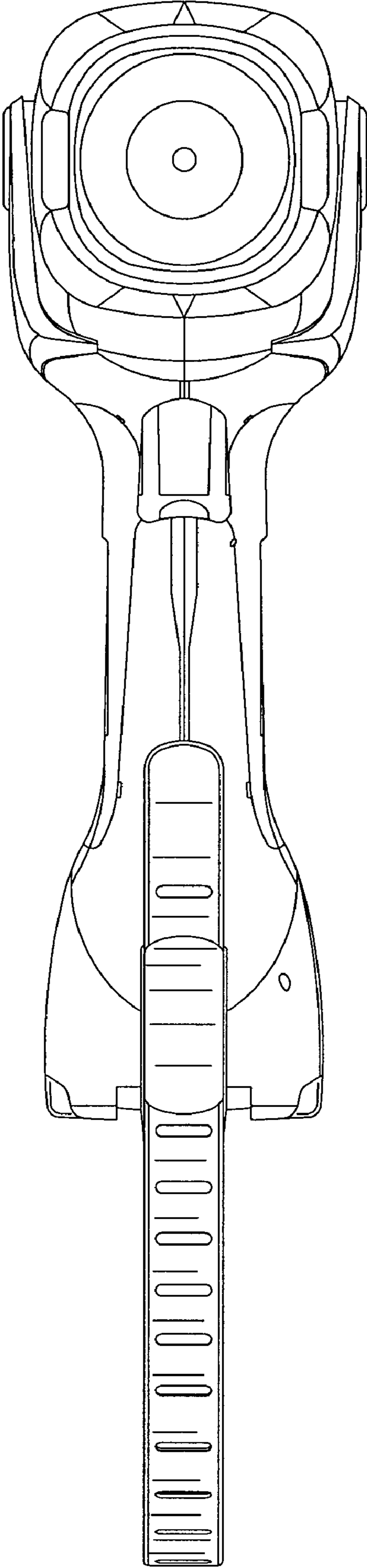


Fig. 3

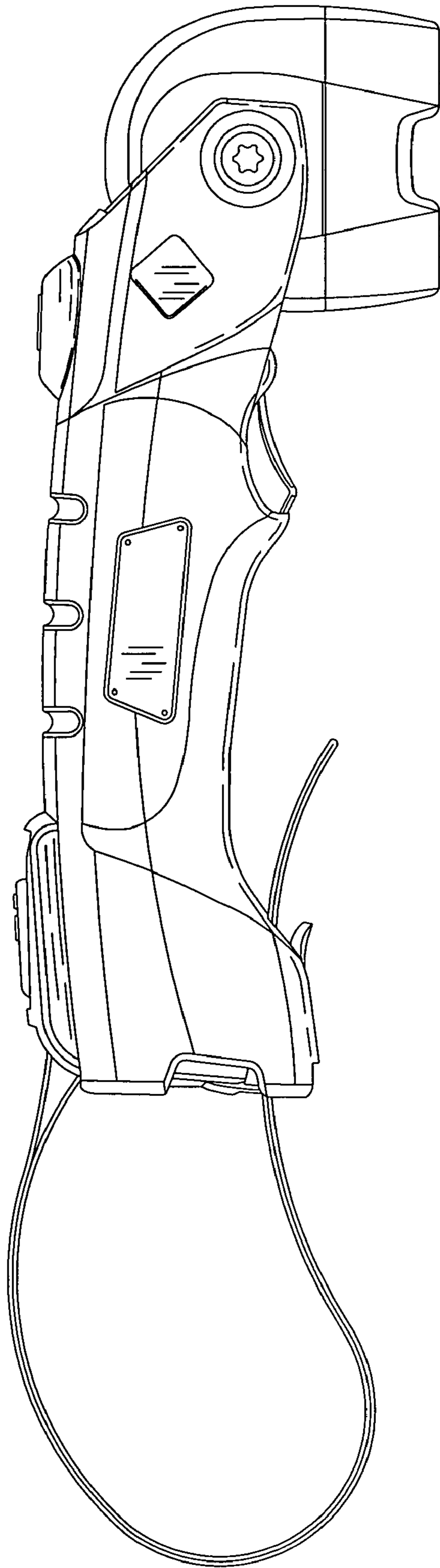


Fig. 4

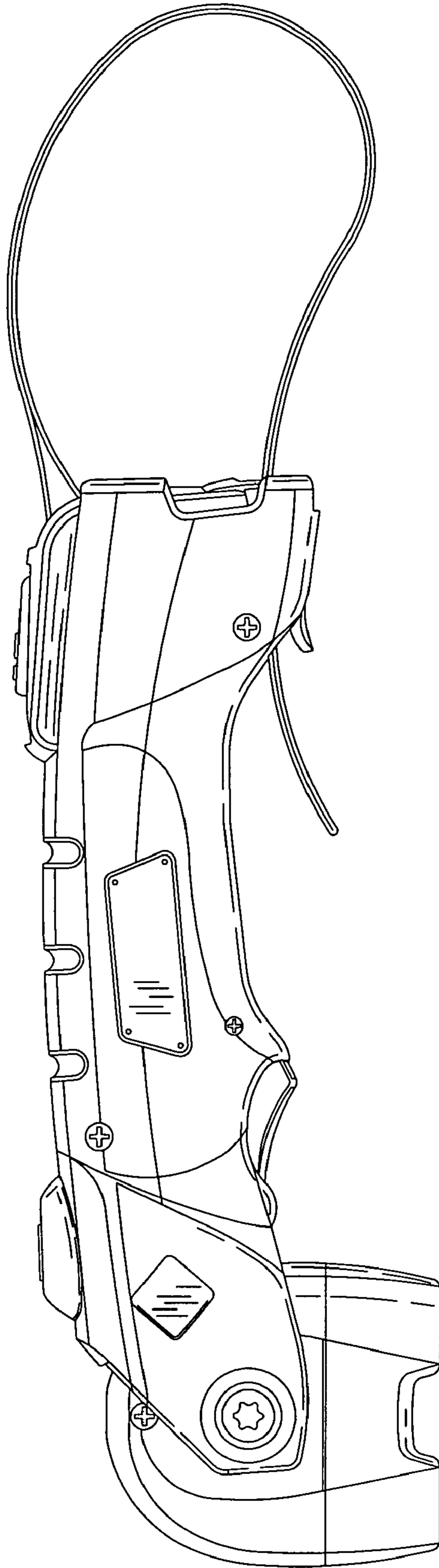


Fig. 5

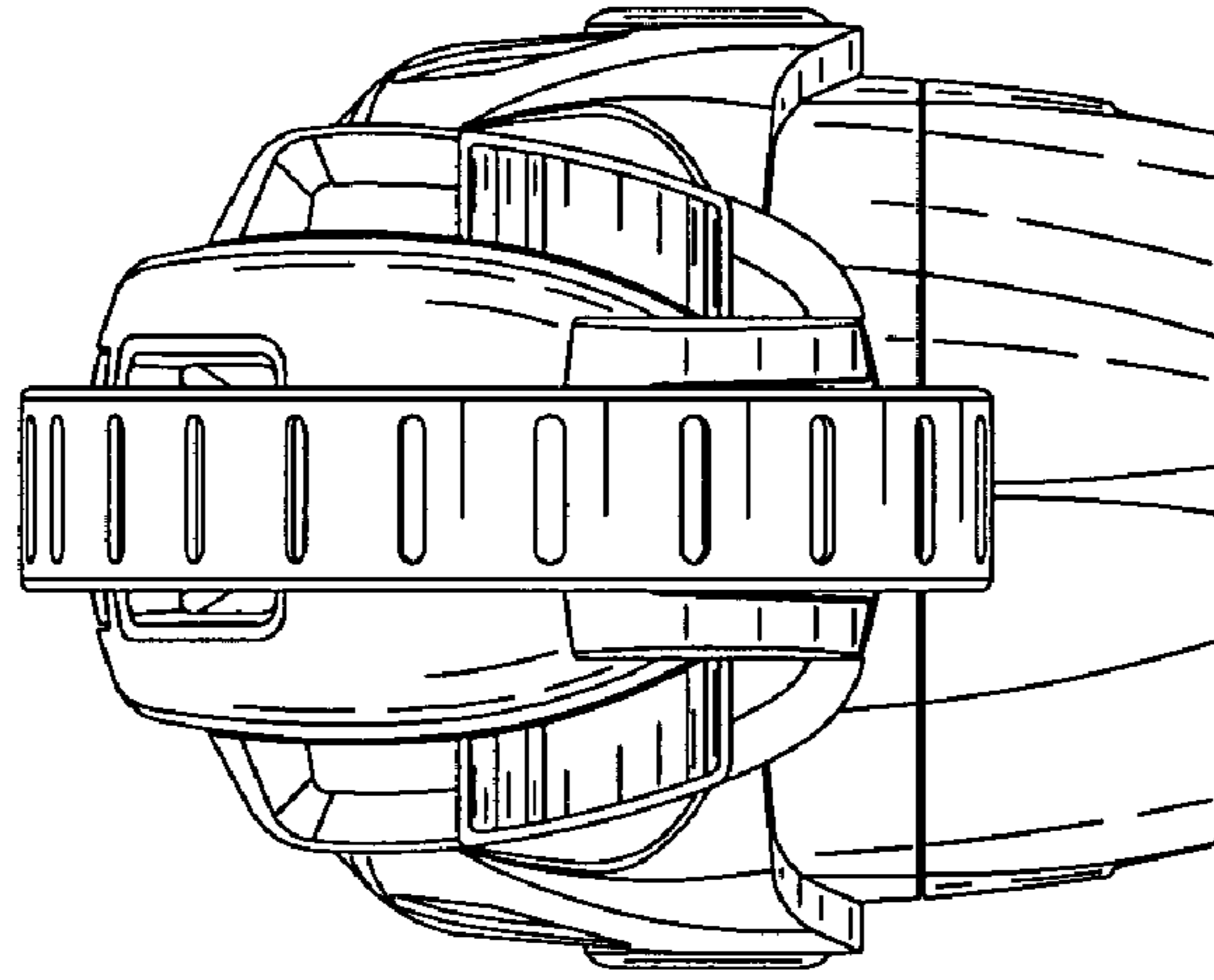


Fig. 7

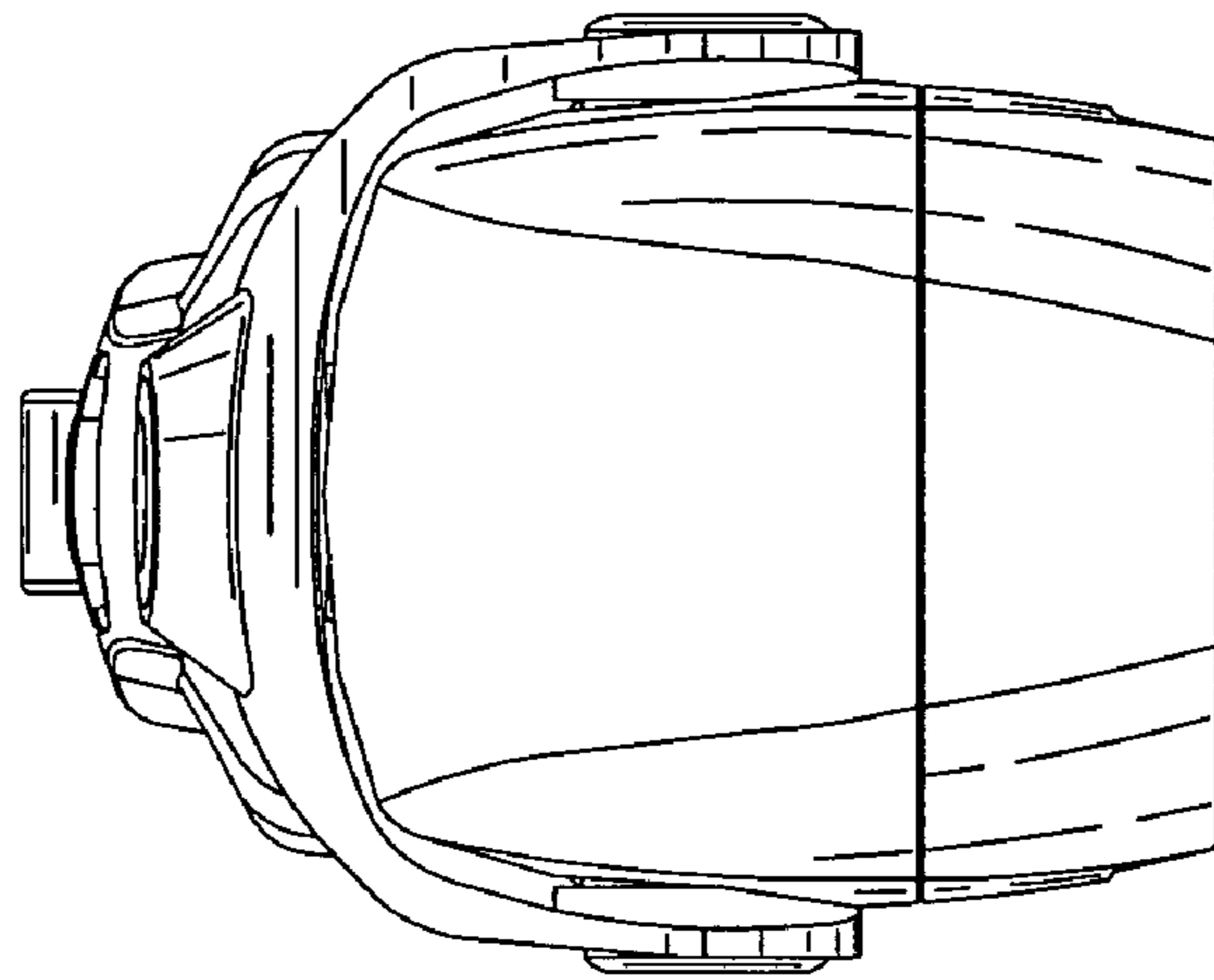


Fig. 6

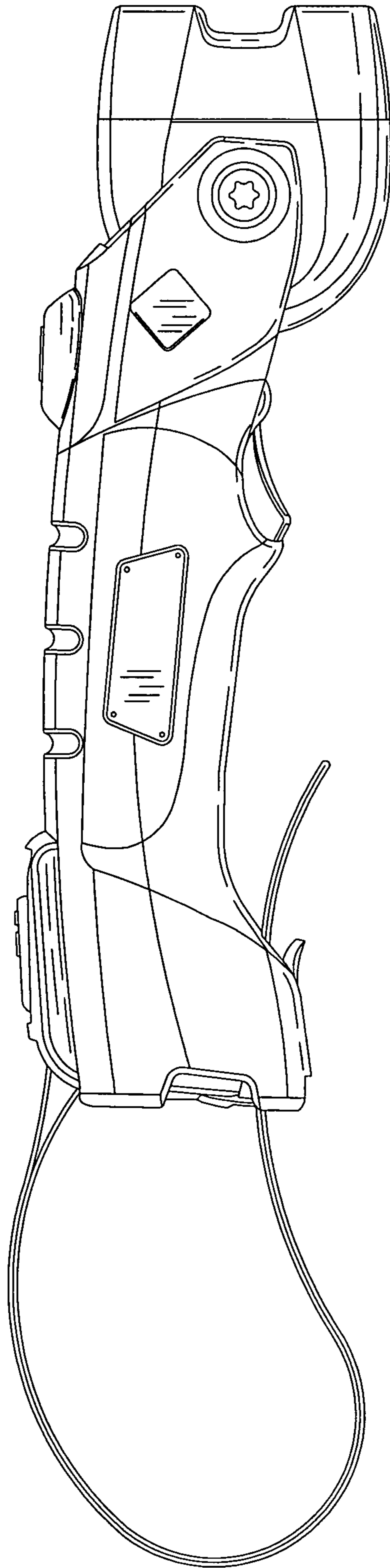


Fig. 8

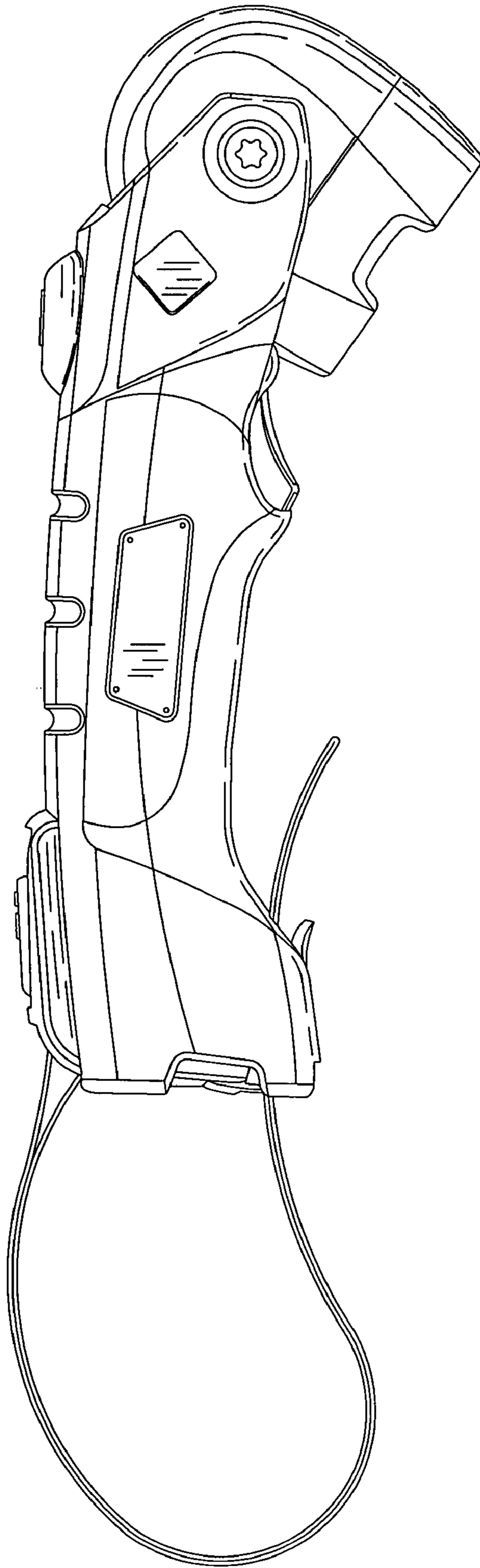


Fig. 9