



US00D552278S

(12) **United States Design Patent**  
**Spartano et al.**

(10) **Patent No.:** **US D552,278 S**

(45) **Date of Patent:** **\*\* Oct. 2, 2007**

(54) **LIGHTING DEVICE**

(74) *Attorney, Agent, or Firm*—Gregory J. Adams

(75) Inventors: **David Spartano**, Brunswick, OH (US);  
**Scott W. Osiecki**, Skaneateles, NY  
(US); **David J. Hine**, Skaneateles, NY  
(US); **Ronald J. Kingston**, Syracuse,  
NY (US)

(57) **CLAIM**

We claim the ornamental design for a lighting device, as shown and described.

(73) Assignee: **Eveready Battery Company, Inc.**, St.  
Louis, MO (US)

**DESCRIPTION**

(\*\*) Term: **14 Years**

FIG. 1 is a perspective view of the lighting device of the present invention.

(21) Appl. No.: **29/271,618**

FIG. 2 is a front view of the lighting device of the present invention.

(22) Filed: **Jan. 23, 2007**

FIG. 3 is a back view of the lighting device of the present invention.

(51) **LOC (8) Cl.** ..... **26-02**

(52) **U.S. Cl.** ..... **D26/39**

(58) **Field of Classification Search** ..... D26/37–50,  
D26/39; 362/157, 158, 171–174, 183–208  
See application file for complete search history.

FIG. 4 is a right side view of the lighting device of the present invention.

FIG. 5 is a left side view of the lighting device of the present invention.

(56) **References Cited**

**U.S. PATENT DOCUMENTS**

D482,473 S	*	11/2003	Shiu	.....	D26/39
D503,817 S	*	4/2005	Shiu	.....	D26/39
D524,967 S	*	7/2006	Shiu	.....	D26/39
D531,335 S	*	10/2006	Garrity	.....	D26/39
D533,954 S	*	12/2006	Opolka	.....	D26/39
D539,952 S	*	4/2007	Iranyi et al.	.....	D26/39

FIG. 6 is a top view of the lighting device of the present invention.

FIG. 7 is a bottom view of the lighting device of the present invention.

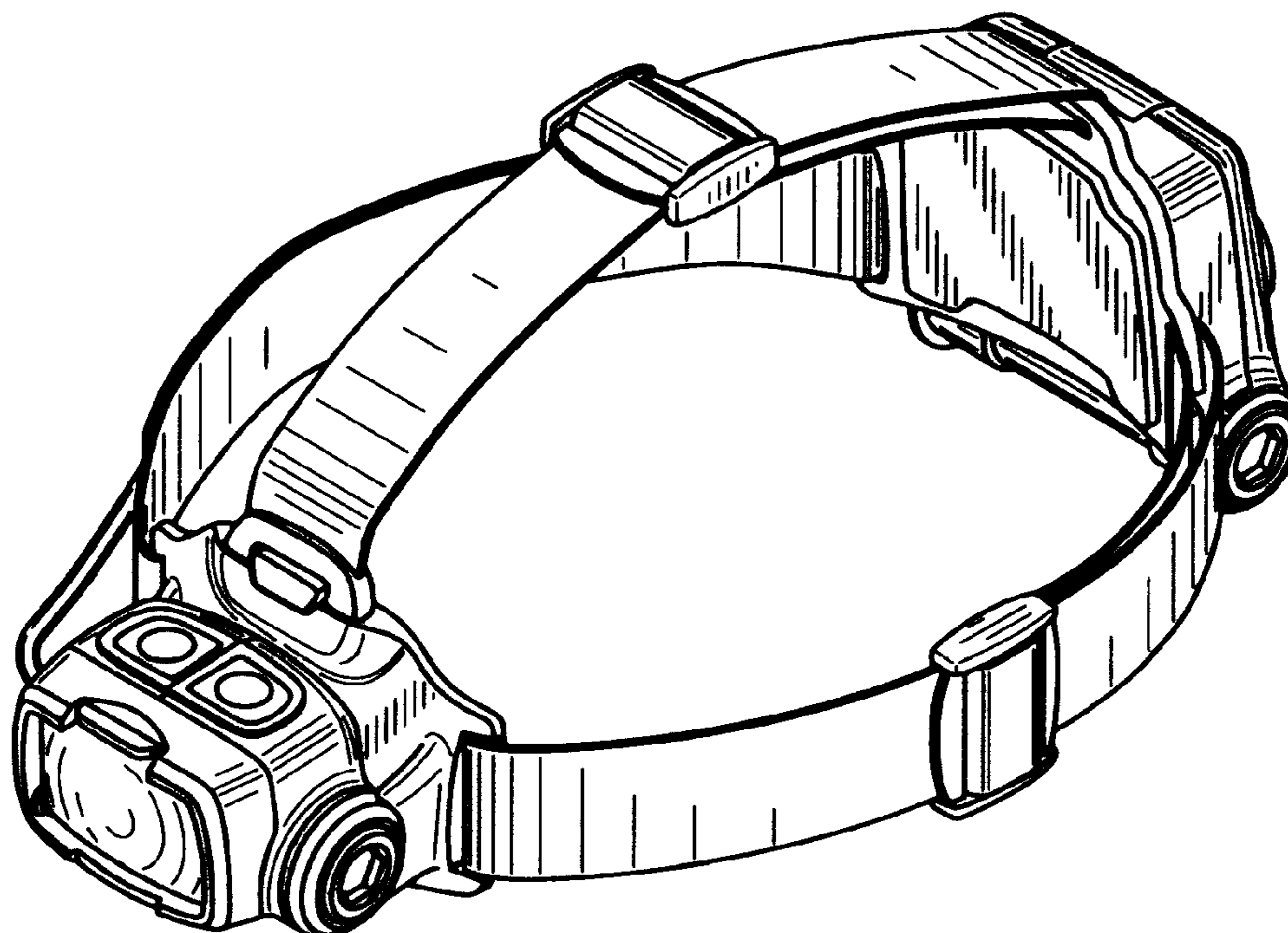
FIG. 8 is another right side view of the lighting device of the present invention with a diffusing lens partially retracted; and,

FIG. 9 is yet another right side view of the lighting device of the present invention with the diffusing lens retracted.

\* cited by examiner

*Primary Examiner*—Marcus A. Jackson

**1 Claim, 8 Drawing Sheets**



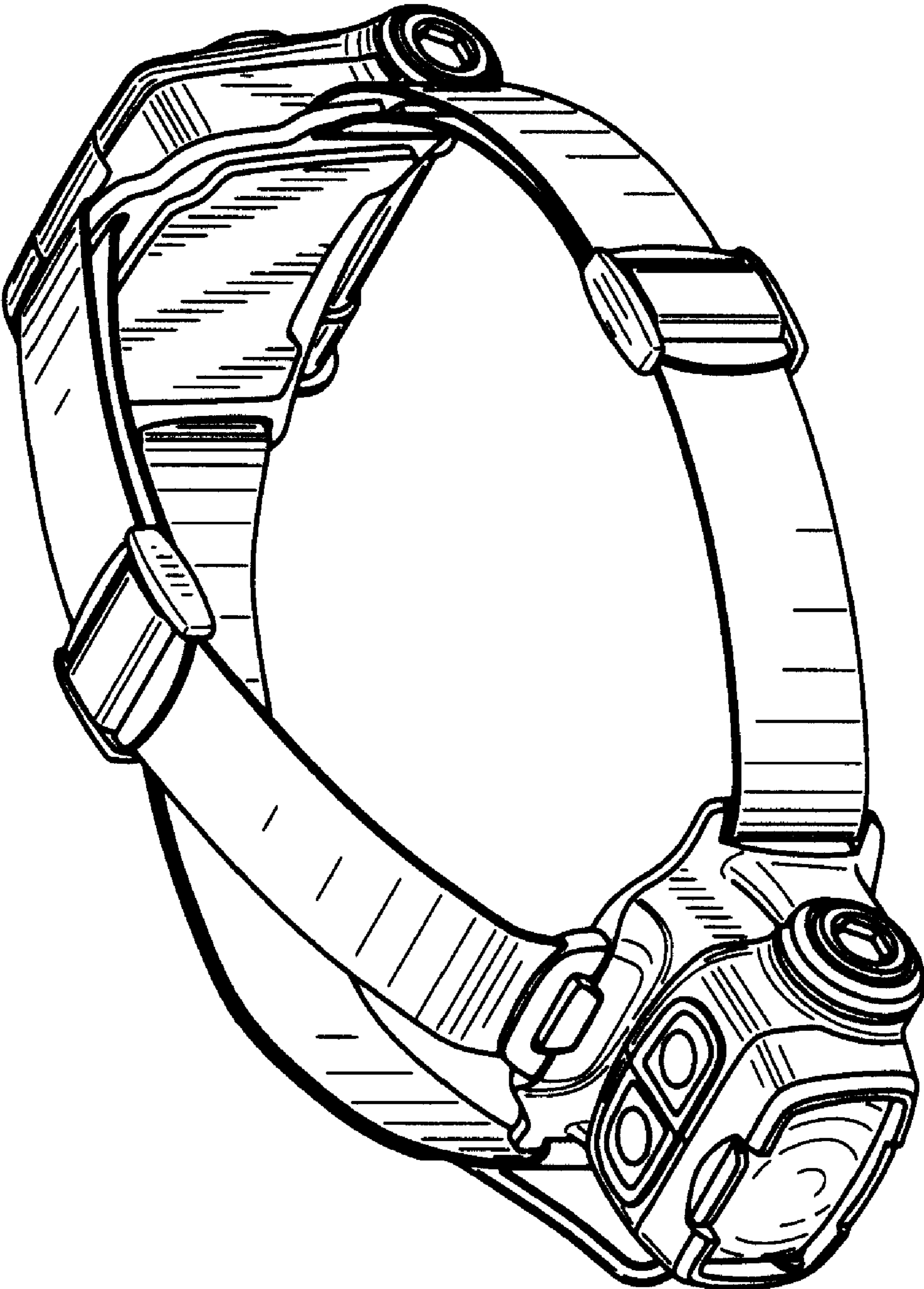


FIG. 1

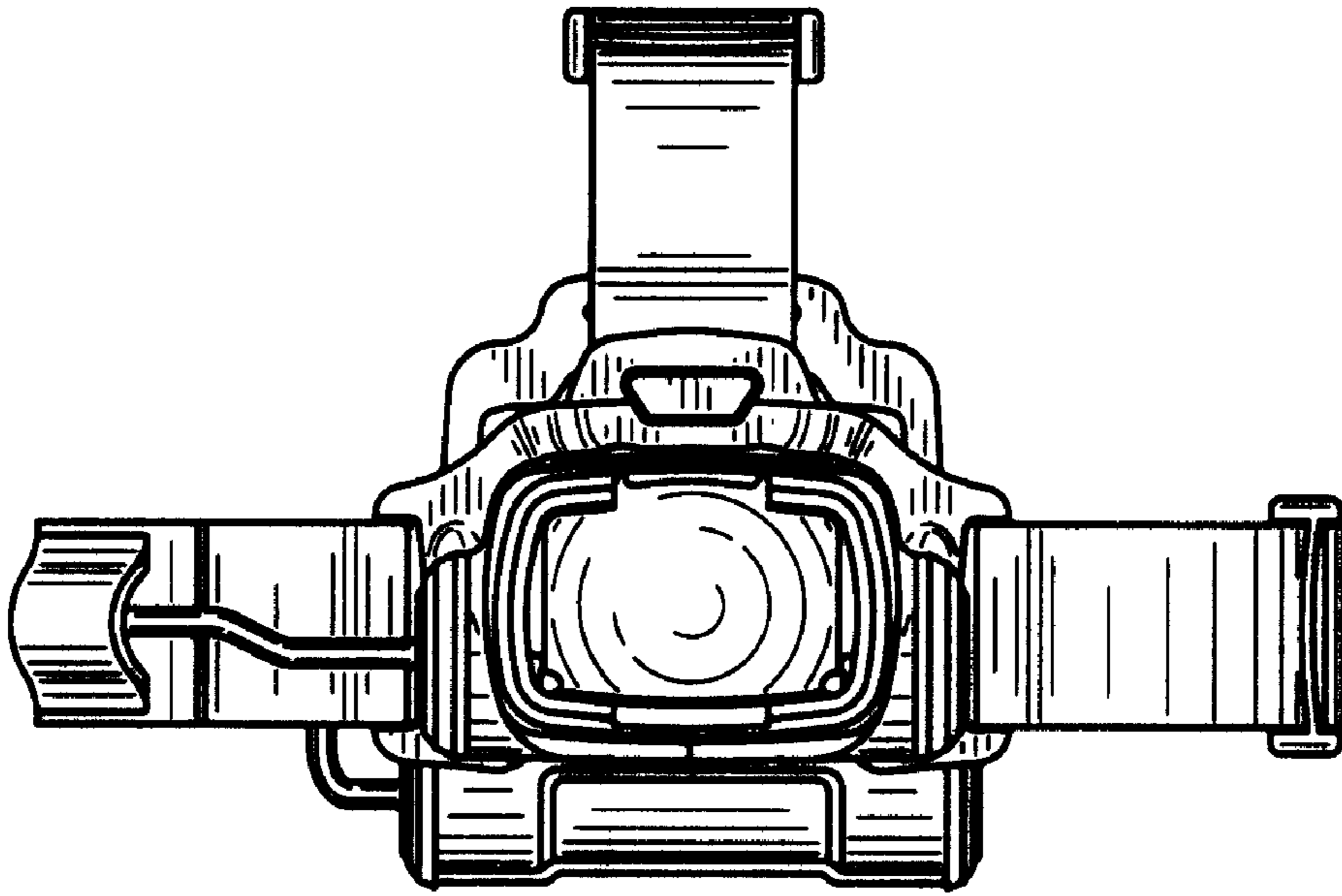


FIG. 2

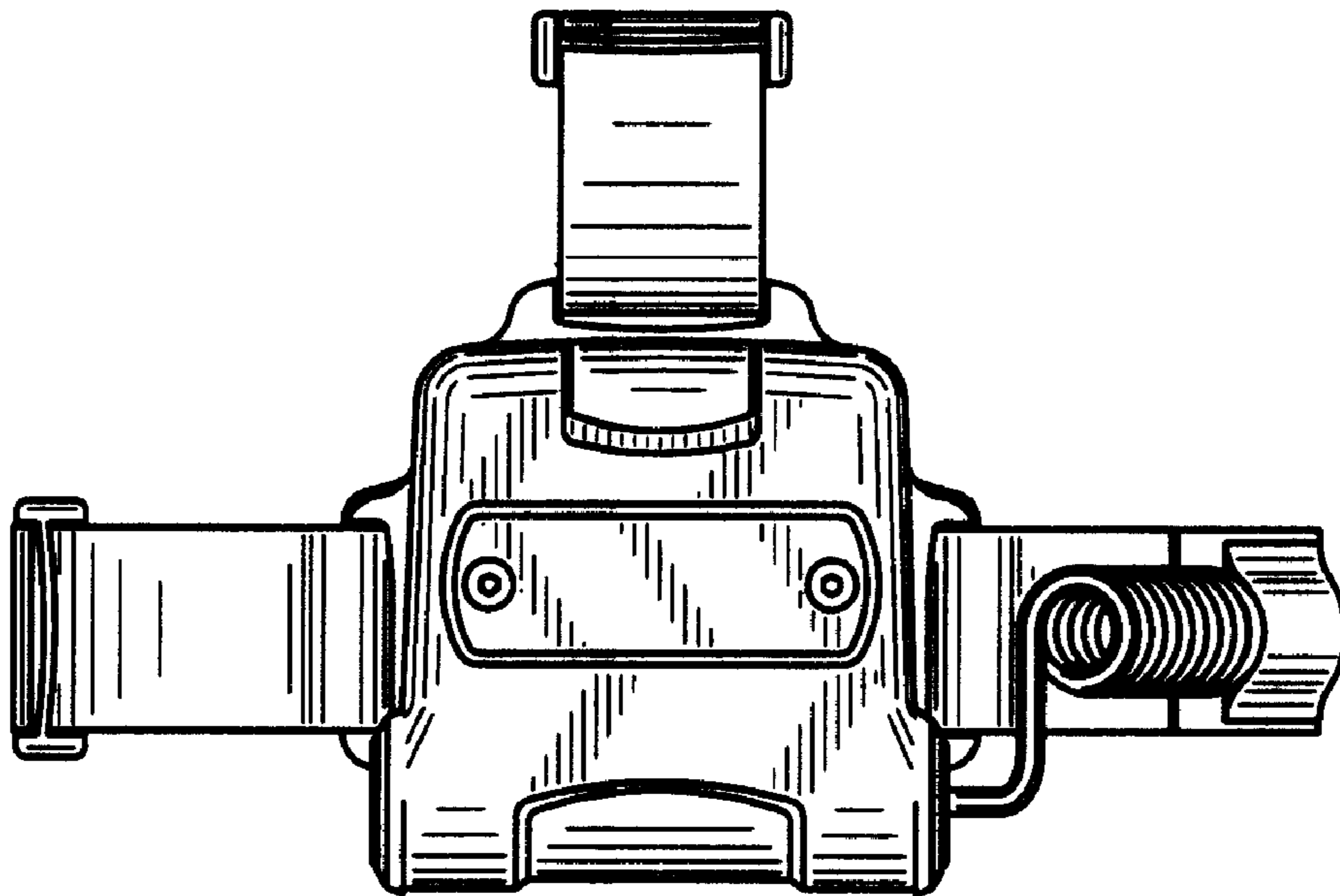


FIG. 3

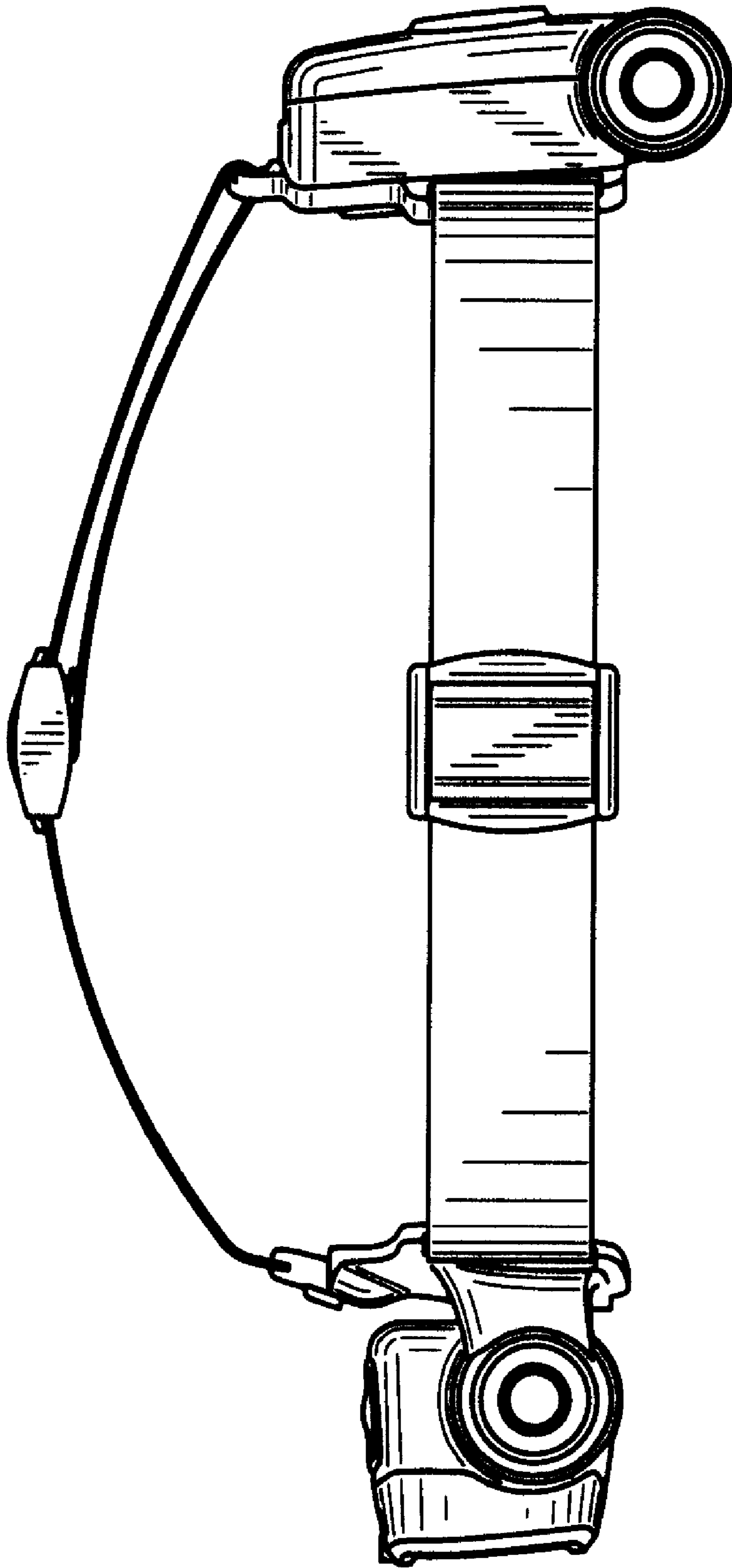


FIG. 4

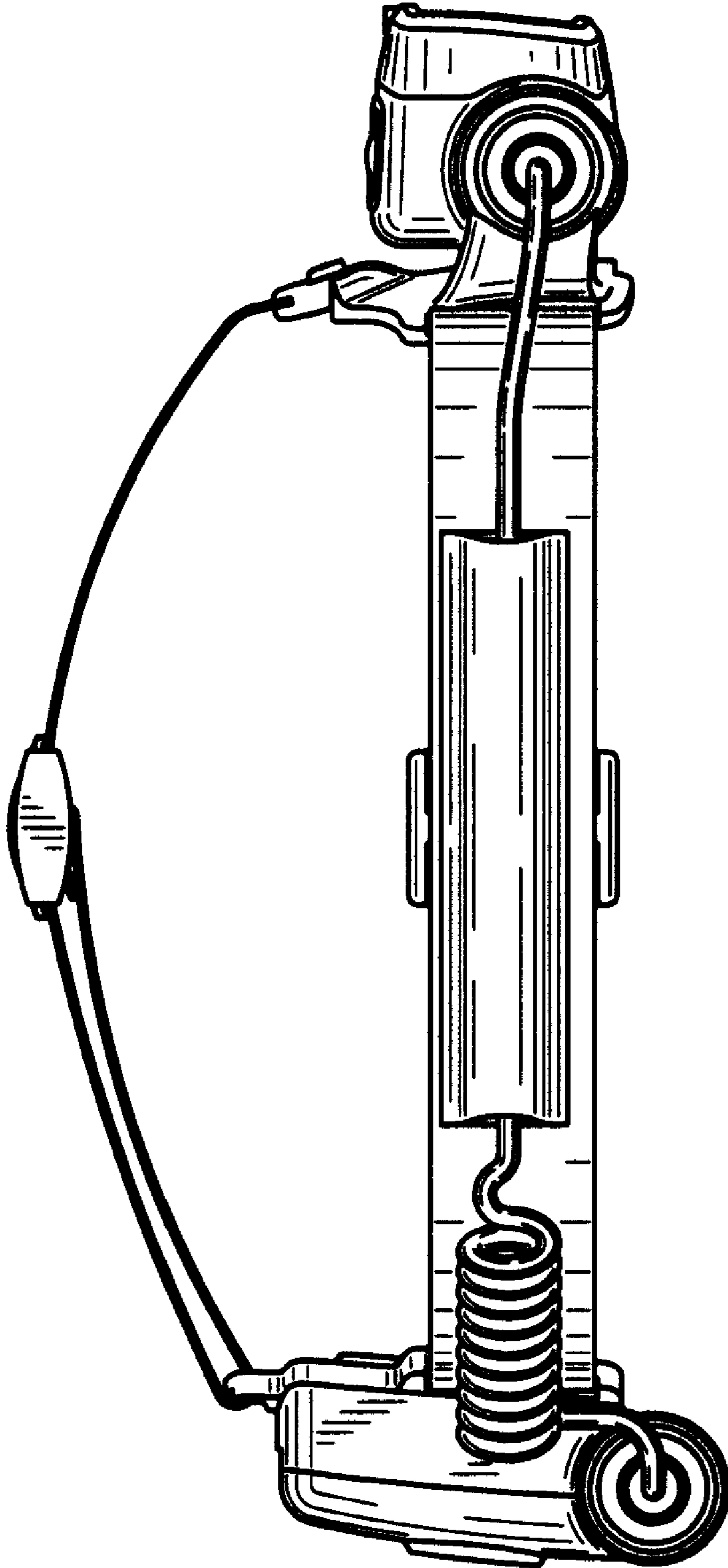


FIG. 5



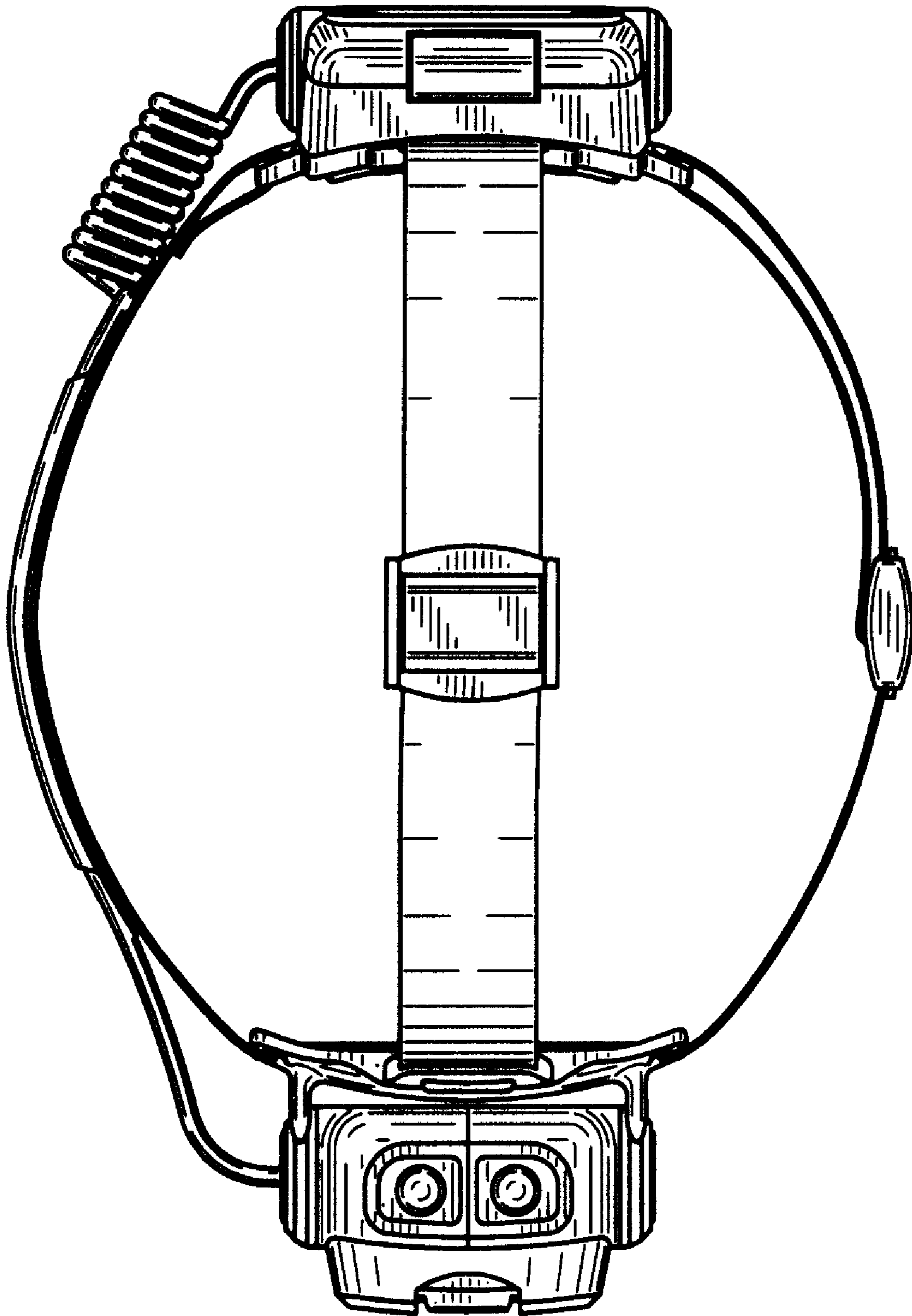


FIG. 6

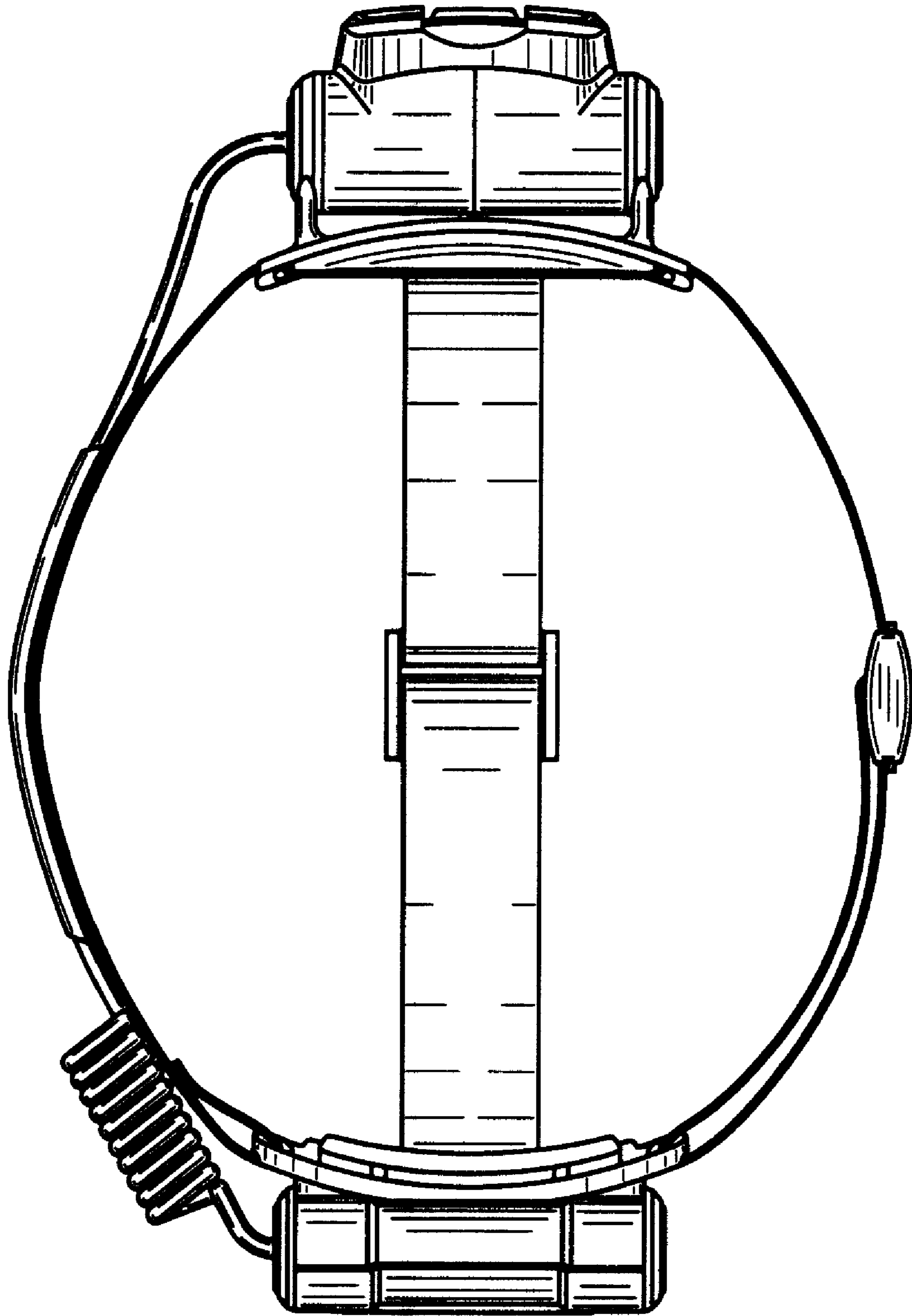


FIG. 7

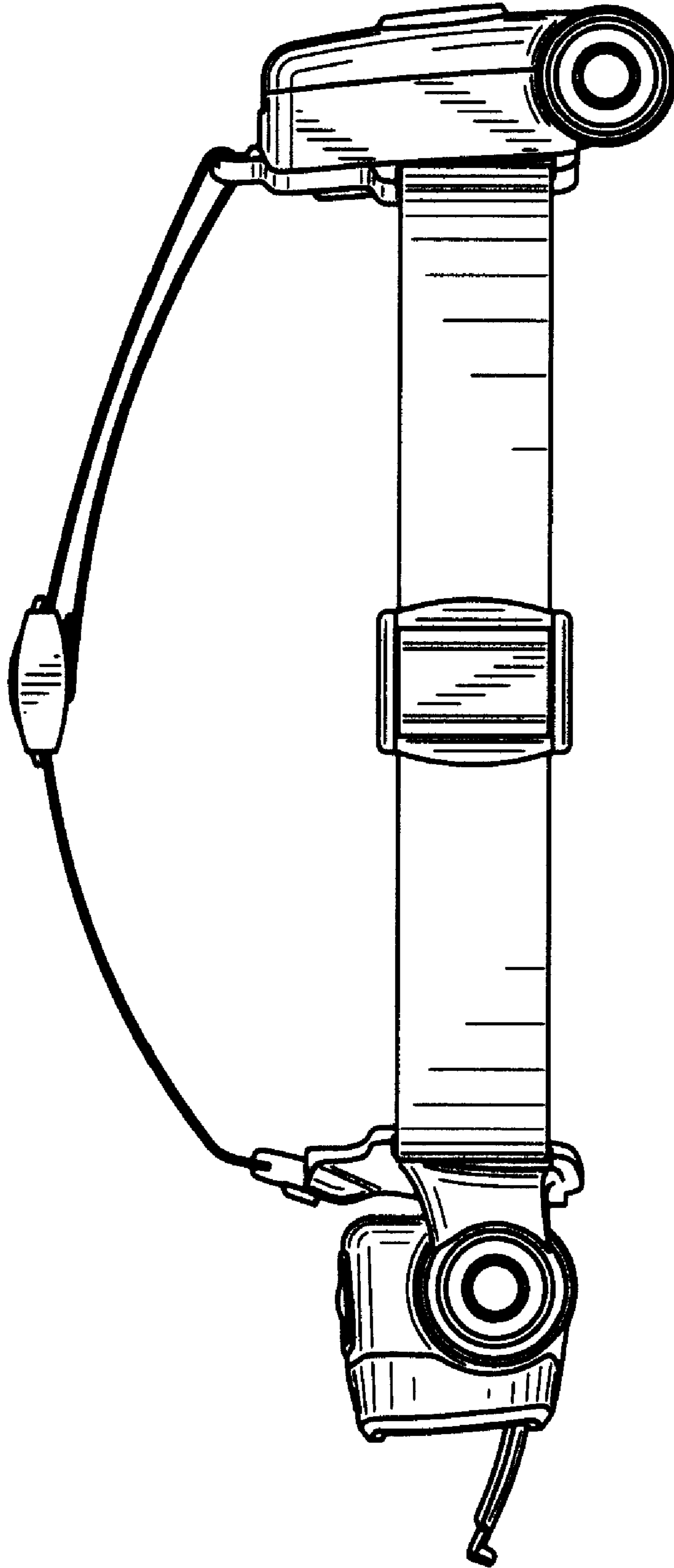


FIG. 8



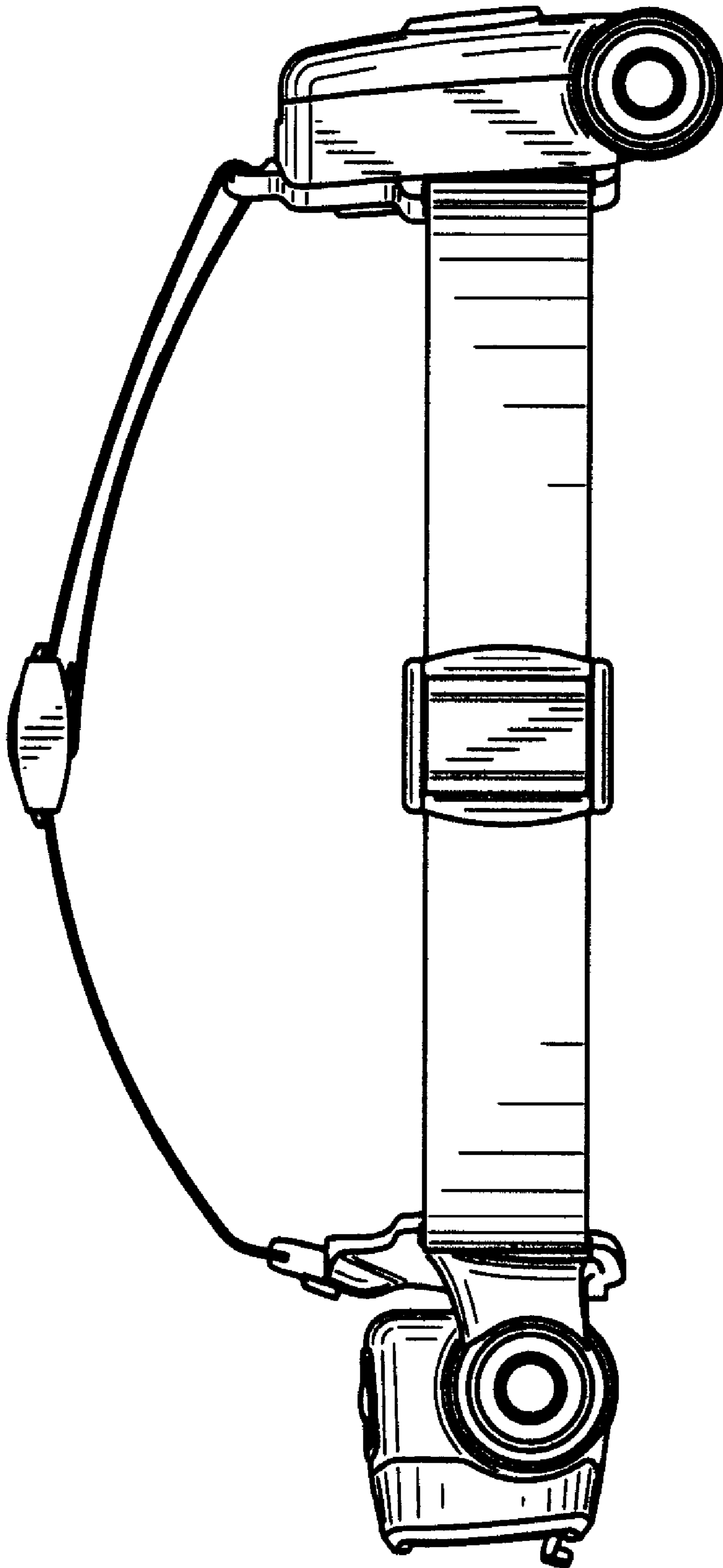


FIG. 9