



US00D552276S

(12) **United States Design Patent**  
**Shaljian**

(10) **Patent No.:** **US D552,276 S**

(45) **Date of Patent:** **\*\* Oct. 2, 2007**

(54) **CELLULAR PHONE LIGHT**

(76) Inventor: **Vartan Shaljian**, 7344 Laurel Canyon Blvd., North Hollywood, CA (US) 91605

(\*\*) Term: **14 Years**

(21) Appl. No.: **29/236,694**

(22) Filed: **Aug. 19, 2005**

(51) **LOC (8) Cl.** ..... **26-02**

(52) **U.S. Cl.** ..... **D26/37**

(58) **Field of Classification Search** ..... D26/37-50;  
362/157, 158, 171-174, 183-208

See application file for complete search history.

(56) **References Cited**

U.S. PATENT DOCUMENTS

D457,670 S *	5/2002	Allen	.....	D26/37
D484,625 S *	12/2003	Chang	.....	D26/37
D496,479 S *	9/2004	Ashfield	.....	D26/37
D507,368 S *	7/2005	Waters	.....	D26/37
D507,671 S *	7/2005	Rice	.....	D26/37

D523,160 S *	6/2006	Chen	.....	D26/37
D524,474 S *	7/2006	Lo et al.	.....	D26/60
D539,951 S *	4/2007	Qui	.....	D26/37

\* cited by examiner

*Primary Examiner*—Marcus A. Jackson

(74) *Attorney, Agent, or Firm*—Larry D. Johnson

(57) **CLAIM**

The ornamental design for a cellular phone light, as shown and described.

**DESCRIPTION**

FIG. 1 is an upper left front perspective view, wherein the broken lines are directed to environment and are for illustrative purposes only; the broken lines form no part of the claimed design;

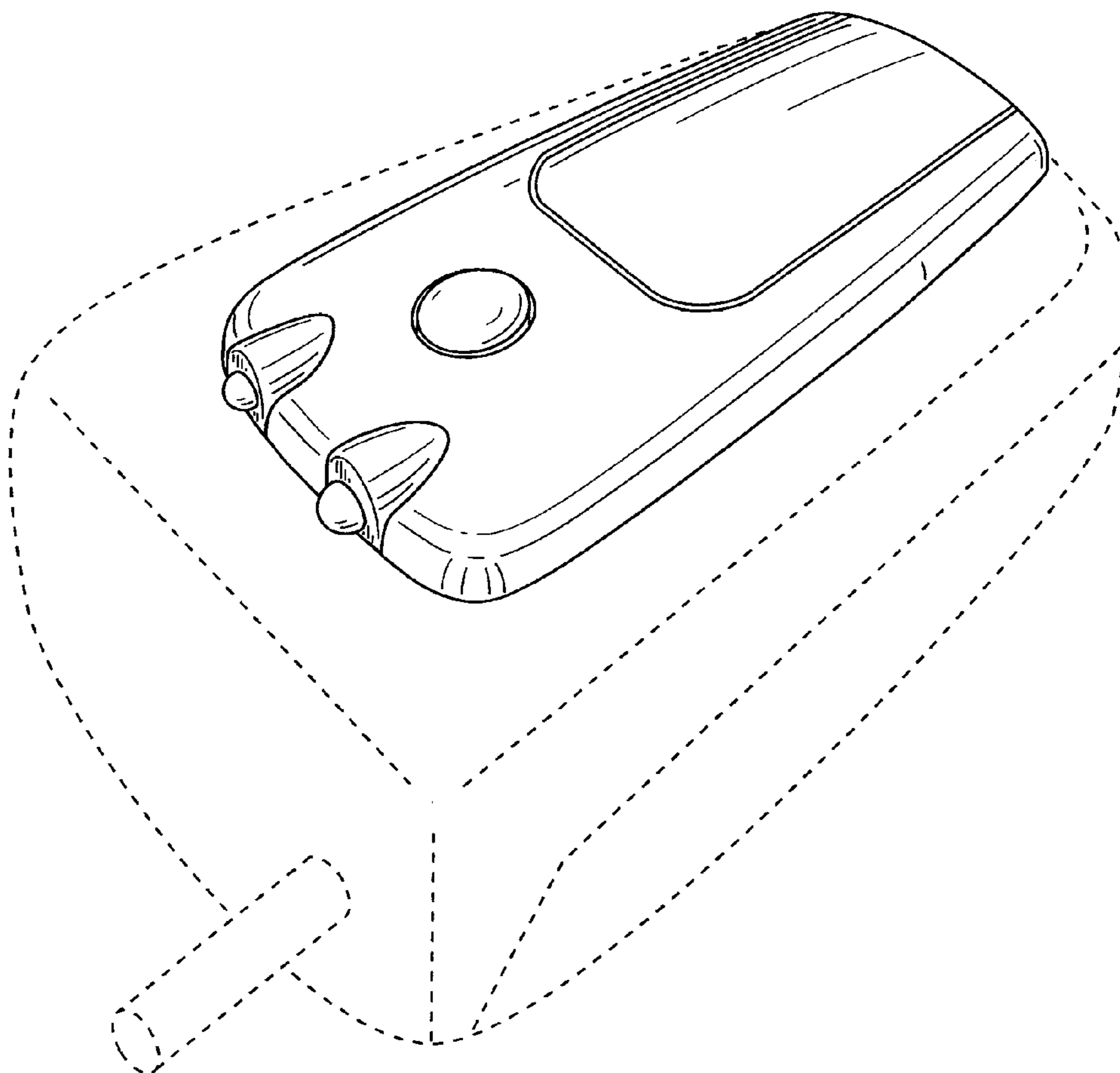
FIG. 2 is a front view in elevation thereof;

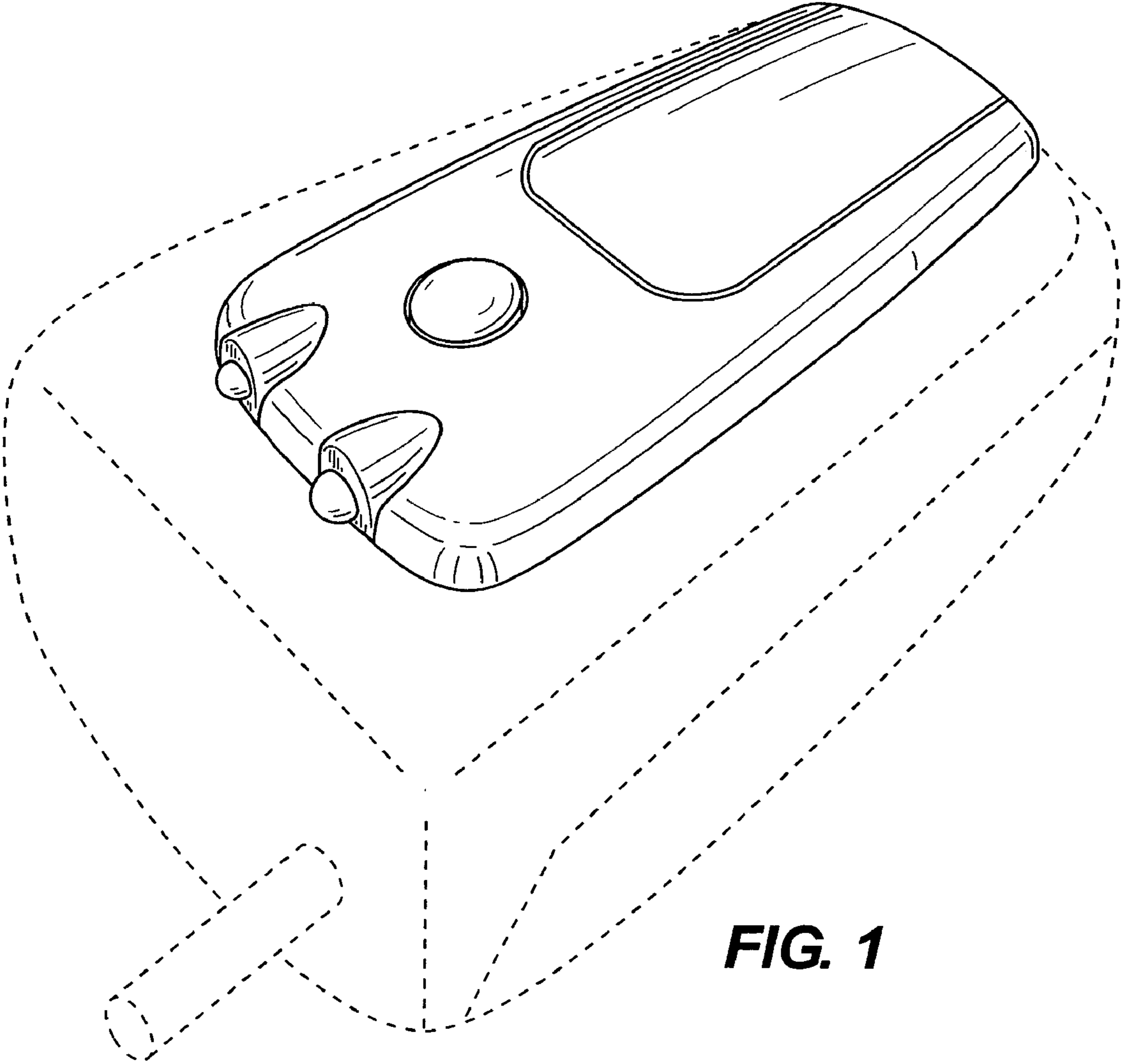
FIG. 3 is a right side view in elevation thereof;

FIG. 4 is a top plan view; and,

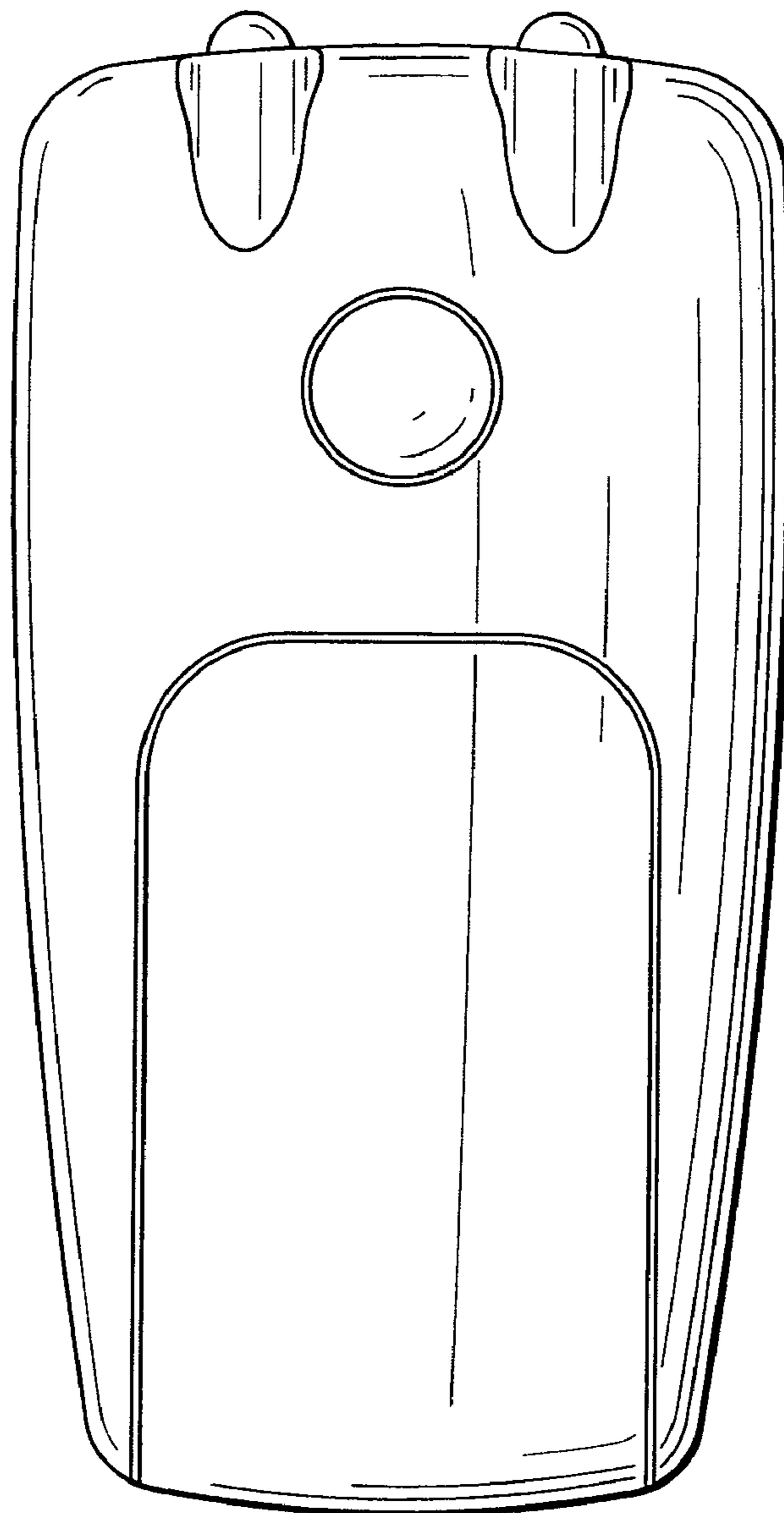
FIG. 5 is a bottom view.

**1 Claim, 2 Drawing Sheets**

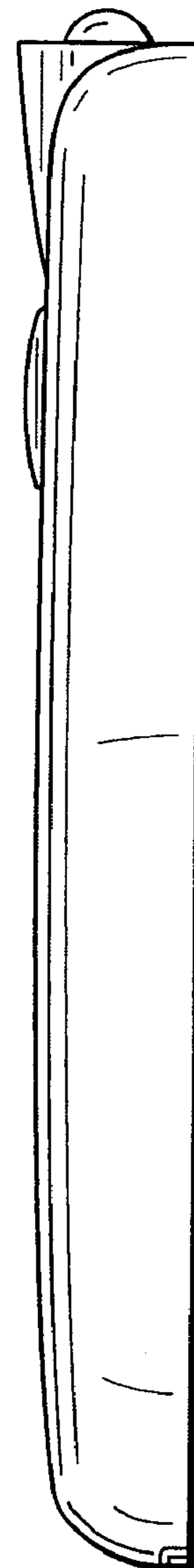




**FIG. 1**

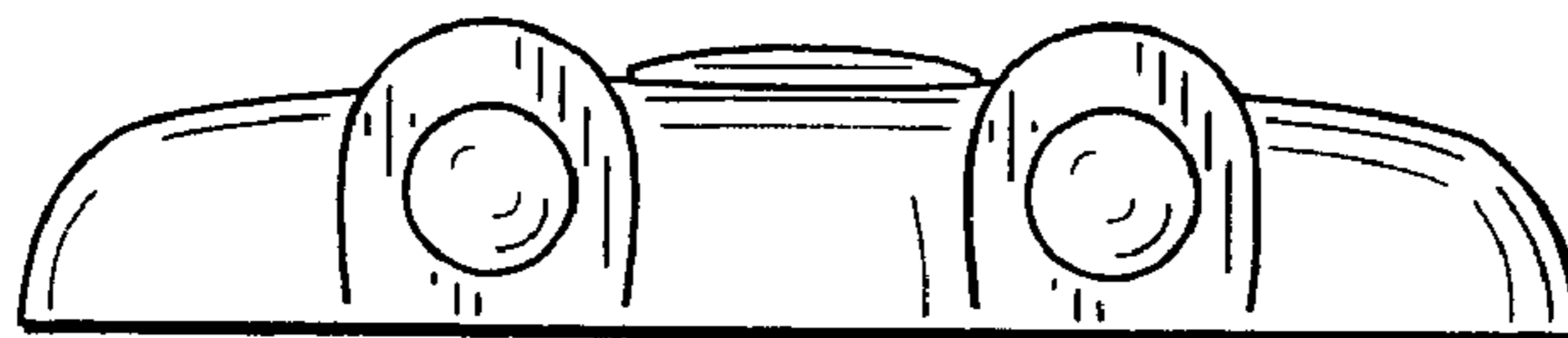


**FIG. 2**



**FIG. 3**

**FIG. 4**



**FIG. 5**

