



US00D552272S

(12) **United States Design Patent**
Amphlett

(10) **Patent No.:** **US D552,272 S**

(45) **Date of Patent:** **** Oct. 2, 2007**

(54) **PHOTOGRAPHIC LIGHTING APPARATUS**

(75) **Inventor:** **David Richard Amphlett**, Cassington
(GB)

(73) **Assignee:** **Gekko Technology Limited**,
Kenilworth (GB)

(**) **Term:** **14 Years**

(21) **Appl. No.:** **29/265,686**

(22) **Filed:** **Sep. 6, 2006**

(30) **Foreign Application Priority Data**

Aug. 31, 2006 (EM) 000 582 184

(51) **LOC (8) Cl.** **26-05**

(52) **U.S. Cl.** **D26/24; D16/239**

(58) **Field of Classification Search** D26/2,
D26/24, 72, 74, 80-3, 85, 88-9, 113; D10/111;
362/11, 13, 86, 157, 183, 216, 227, 230, 240,
362/244, 253, 311, 458, 477, 611, 612, 812;
D16/239, 240; 396/28, 106, 199
See application file for complete search history.

(56) **References Cited**

U.S. PATENT DOCUMENTS

D268,270 S * 3/1983 Ostlund et al. D16/240
D352,566 S * 11/1994 Johnson et al. D26/88
5,580,163 A * 12/1996 Johnson, II 362/285
D384,431 S * 9/1997 Bitton D26/74
6,929,375 B2 * 8/2005 Satomi 362/11
6,948,823 B2 * 9/2005 Pohlert et al. 362/11
7,136,582 B2 * 11/2006 Hayami et al. 396/182

D535,774 S * 1/2007 Weston et al. D26/72
2003/0030745 A1 * 2/2003 Meek et al. 348/370
2003/0072156 A1 * 4/2003 Pohlert et al. 362/244
2004/0184275 A1 * 9/2004 Walcome 362/477
2005/0225977 A1 * 10/2005 Amphlett 362/230
2007/0014563 A1 * 1/2007 Ferro 396/199

FOREIGN PATENT DOCUMENTS

EM 000385356-0001 * 8/2005

* cited by examiner

Primary Examiner—Alan P. Douglas

Assistant Examiner—Angela J. Lee

(74) *Attorney, Agent, or Firm*—Arthur Jacob

(57) **CLAIM**

The ornamental design for photographic lighting apparatus,
as shown and described.

DESCRIPTION

FIG. 1 is a front and right side pictorial view of photographic
lighting apparatus embodying my new design;

FIG. 2 is a top plan view thereof;

FIG. 3 is a bottom plan view thereof;

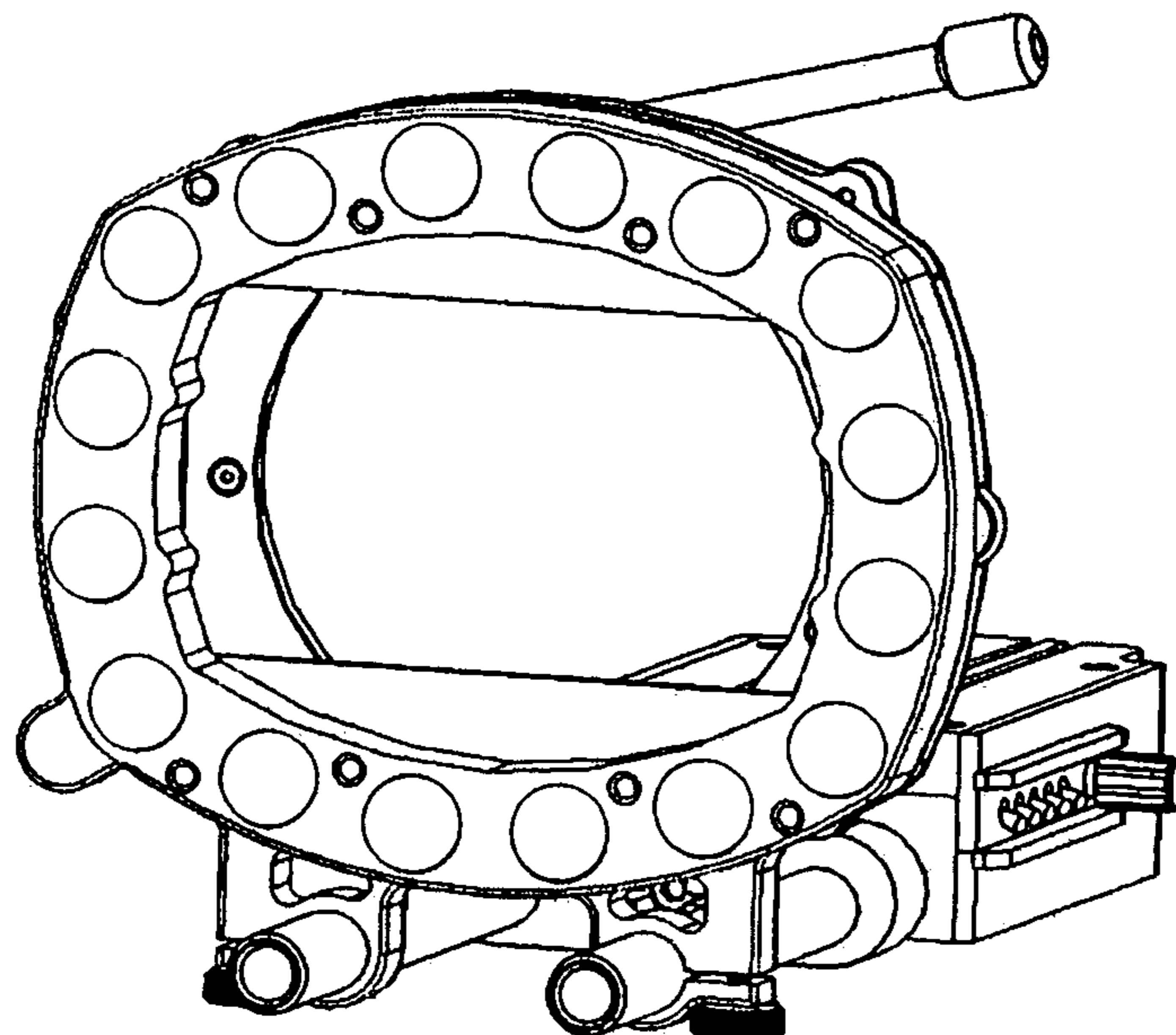
FIG. 4 is a front elevational view thereof;

FIG. 5 is a rear elevational view thereof;

FIG. 6 is a side elevational view thereof as viewed from the
right of FIG. 4; and,

FIG. 7 is a side elevational view thereof as viewed from the
left of FIG. 4.

1 Claim, 7 Drawing Sheets



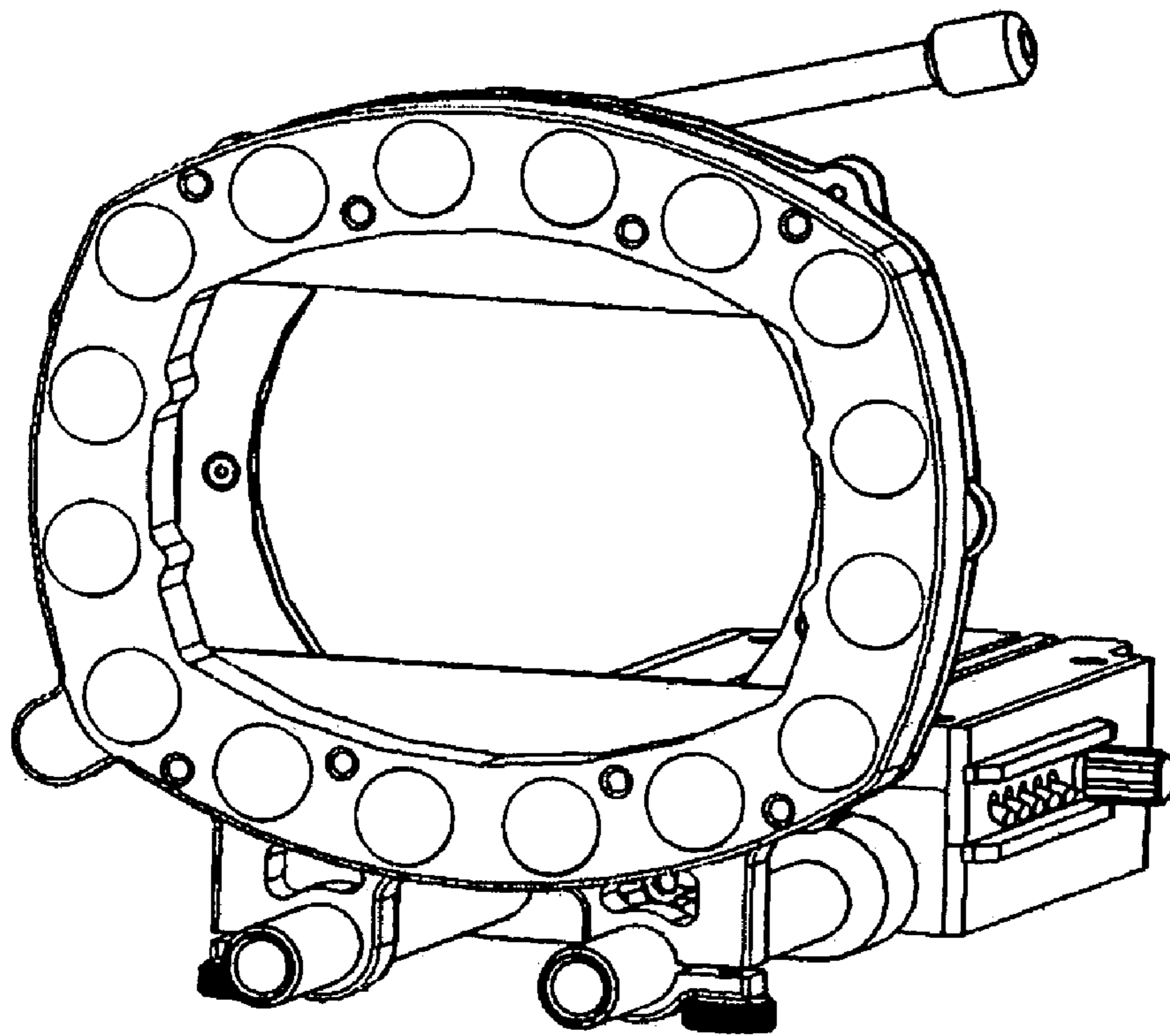


FIG. 1

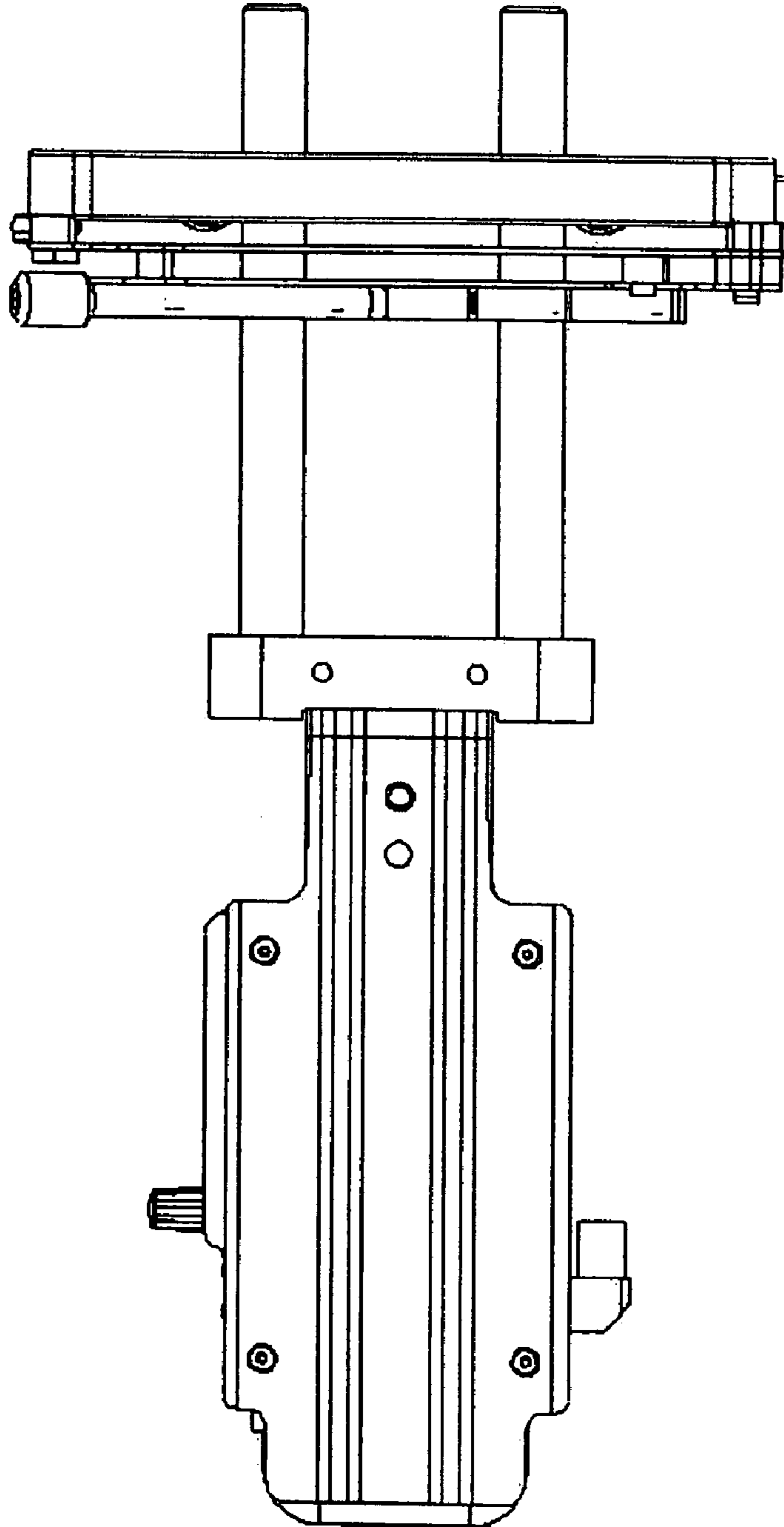


FIG. 2

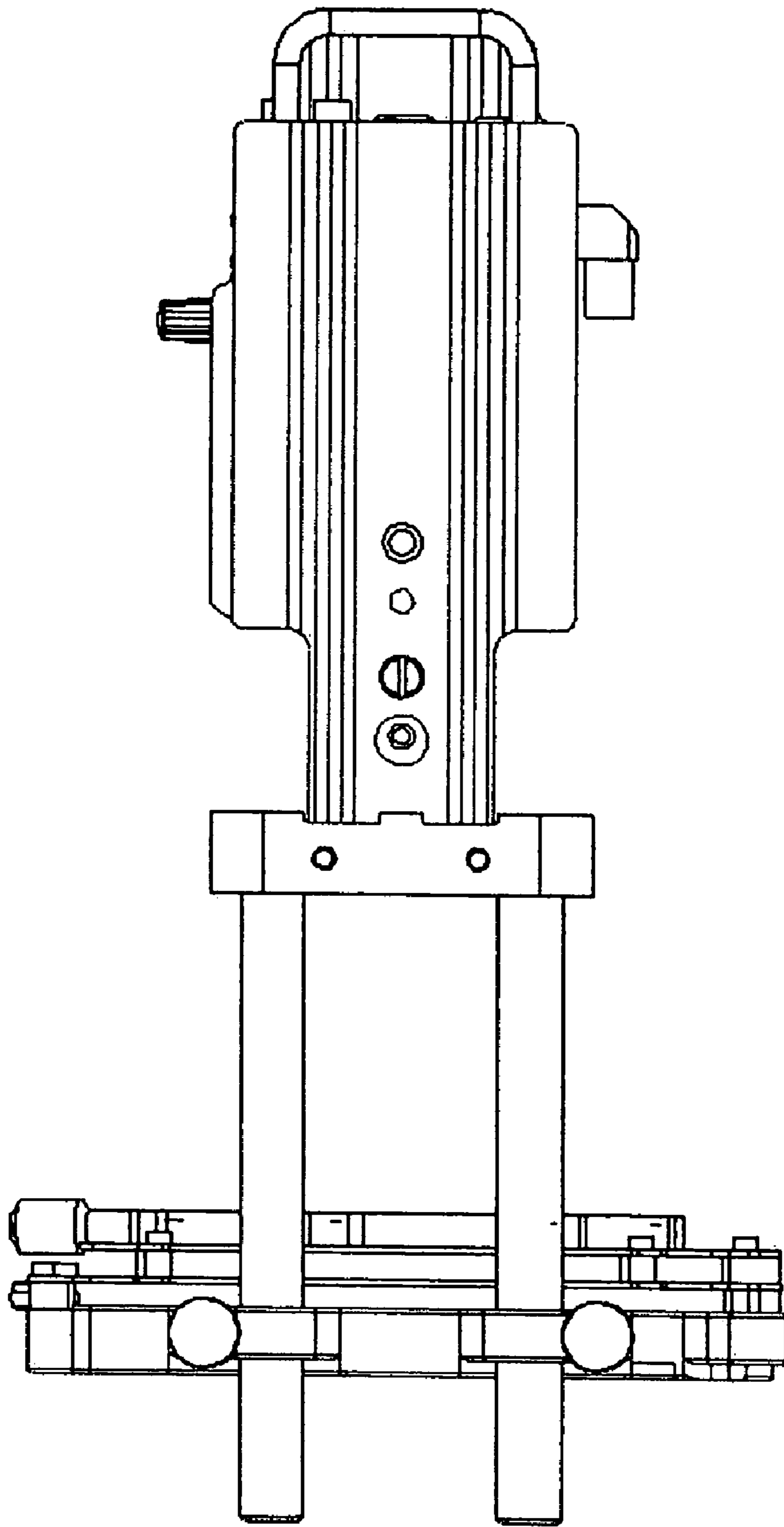


FIG. 3

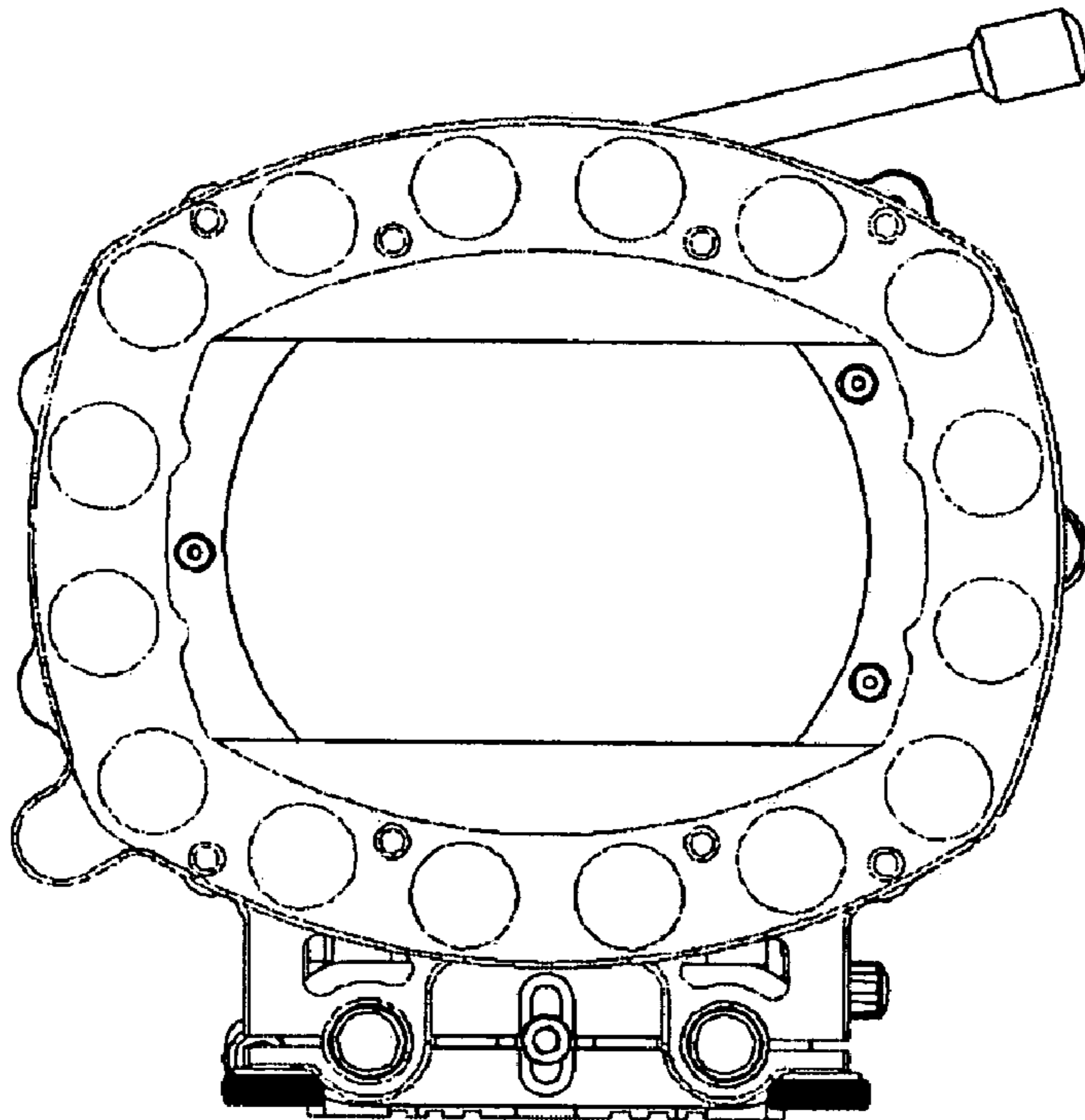


FIG. 4

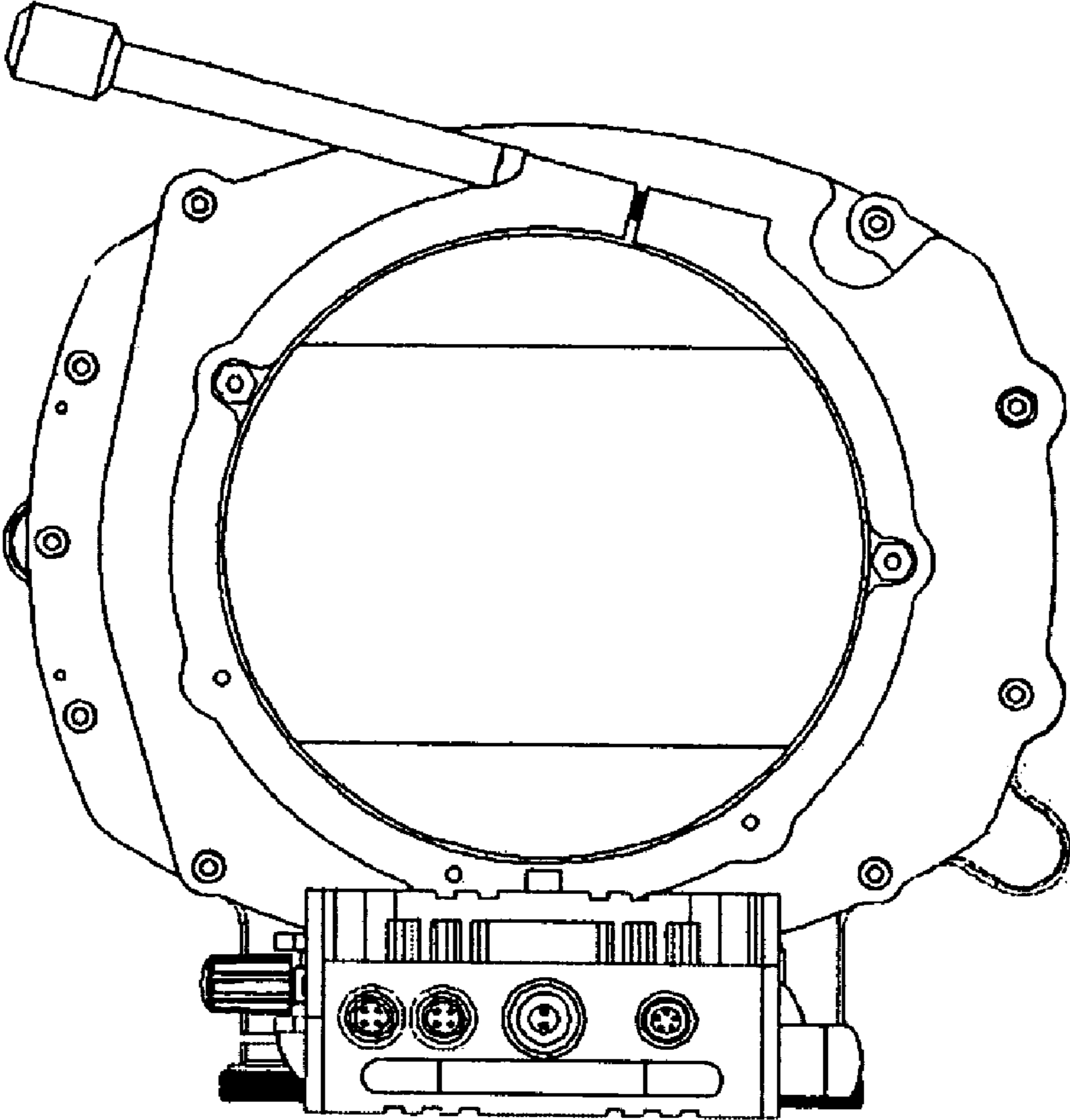


FIG. 5

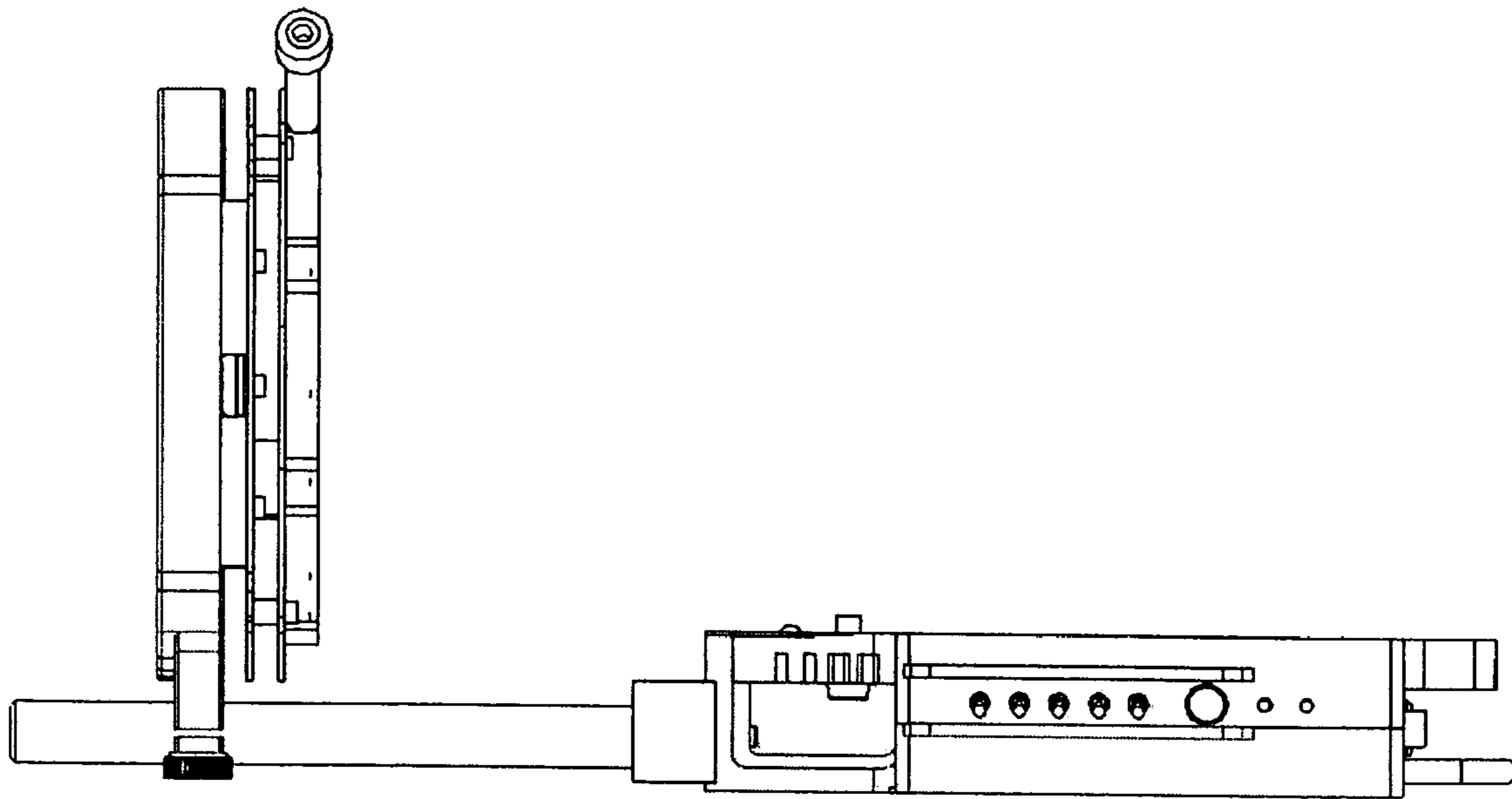


FIG. 6

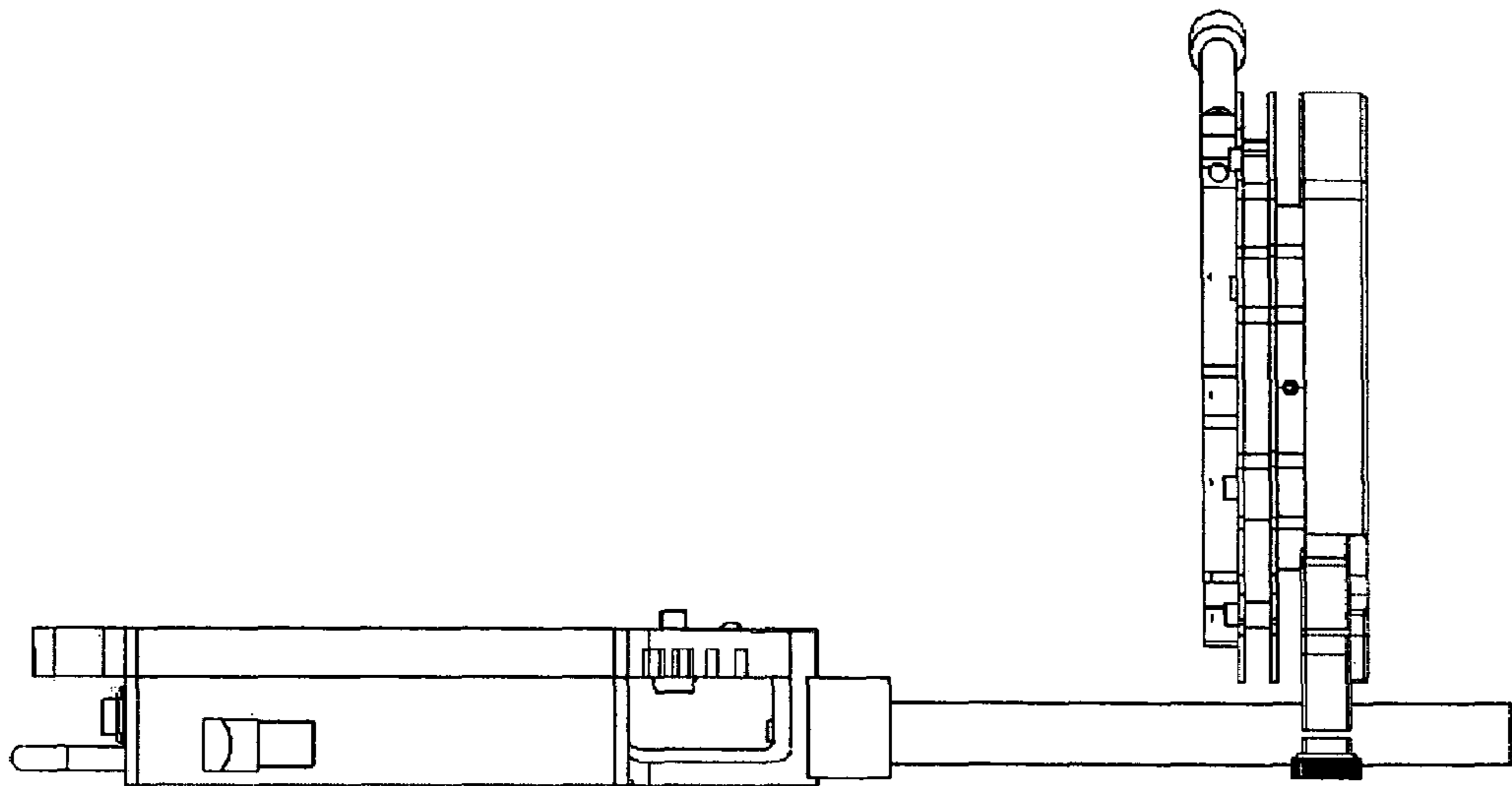


FIG. 7