



US00D552271S

(12) **United States Design Patent**
Timmann et al.

(10) **Patent No.:** **US D552,271 S**

(45) **Date of Patent:** **** Oct. 2, 2007**

(54) **CANDLE HOLDER**

(75) Inventors: **Ulf Timmann**, Cologne (DE); **Jaume Josa**, Erkrath (DE); **Artur Menarski**, Dusseldorf (DE); **Volker Hundertmark**, Raddestorf (DE)

(73) Assignee: **Henkel Kommanditgesellschaft auf Aktien (KGaA)**, Dusseldorf (DE)

(**) Term: **14 Years**

(21) Appl. No.: **29/243,735**

(22) Filed: **Nov. 30, 2005**

(51) **LOC (8) Cl.** **26-01**

(52) **U.S. Cl.** **D26/9**

(58) **Field of Classification Search** D26/6-23;
D9/635, 435, 541, 447, 454; D7/572, 575,
D7/536, 584; D11/160, 96, 152; 431/288-297,
431/125, 126; 362/806-810
See application file for complete search history.

(56) **References Cited**

U.S. PATENT DOCUMENTS

D92,485 S * 6/1934 Muench D26/20

D132,868 S * 6/1942 Sawyer D26/9
D397,462 S * 8/1998 Hollinger D26/20
D405,316 S * 2/1999 Spike D7/507
D408,322 S * 4/1999 Yurk D11/152
D459,498 S * 6/2002 Araujo D26/6
6,447,732 B1 * 9/2002 West 422/126
D487,672 S * 3/2004 Cote et al. D7/545
6,802,707 B2 * 10/2004 Furner et al. 431/292

* cited by examiner

Primary Examiner—Louis S. Zarfaz

Assistant Examiner—Gregory Andoll

(74) *Attorney, Agent, or Firm*—Paul & Paul

(57) **CLAIM**

The ornamental design for a candle holder, as shown and described.

DESCRIPTION

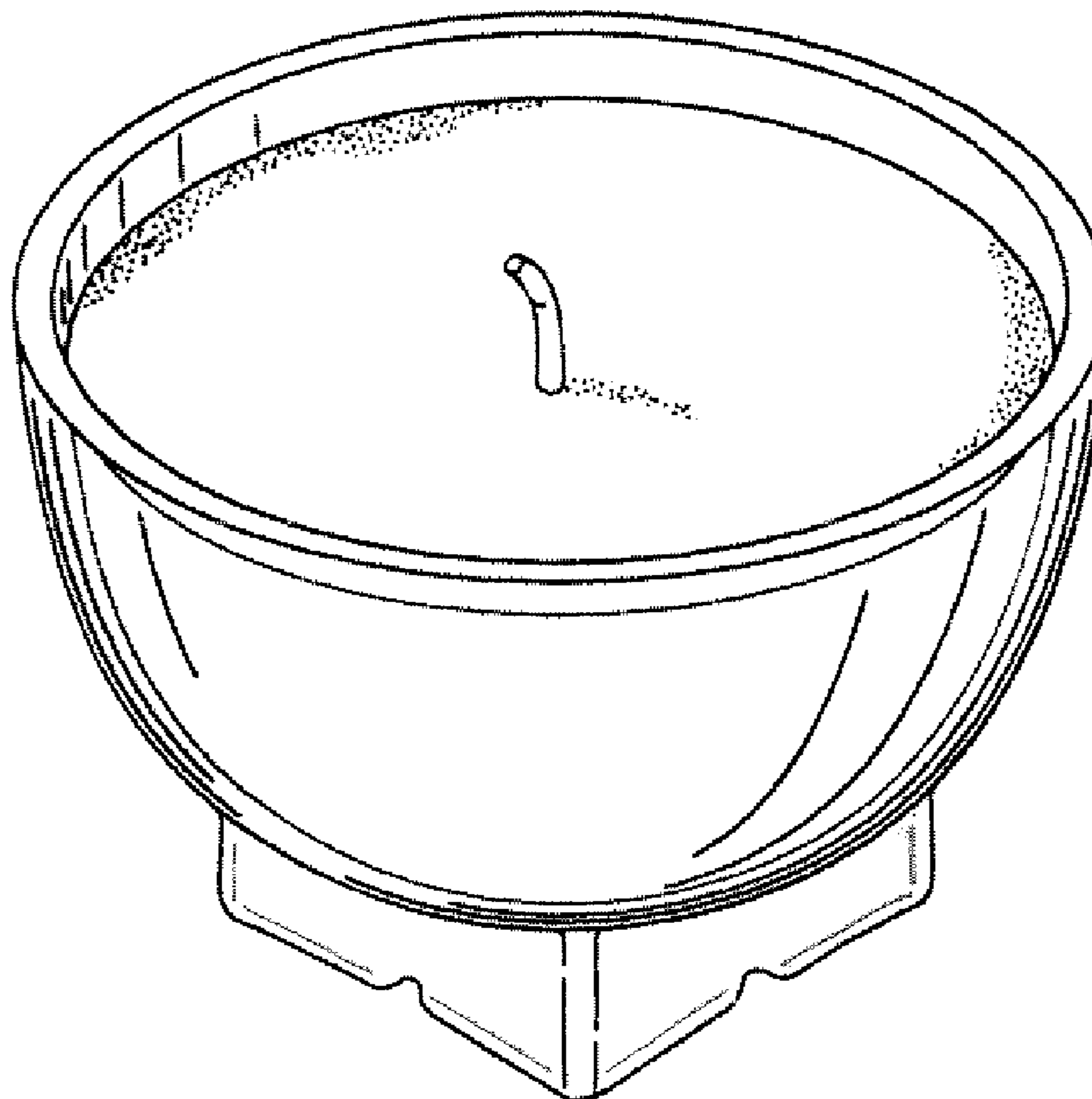
FIG. 1 is a perspective view of a candle holder of our design.

FIG. 2 is a typical side view of the candle holder of FIG. 1, all side views being the same.

FIG. 3 is a top plan view of the candle holder of FIG. 1; and,

FIG. 4 is a bottom plan view of the candle holder of FIG. 1.

1 Claim, 2 Drawing Sheets



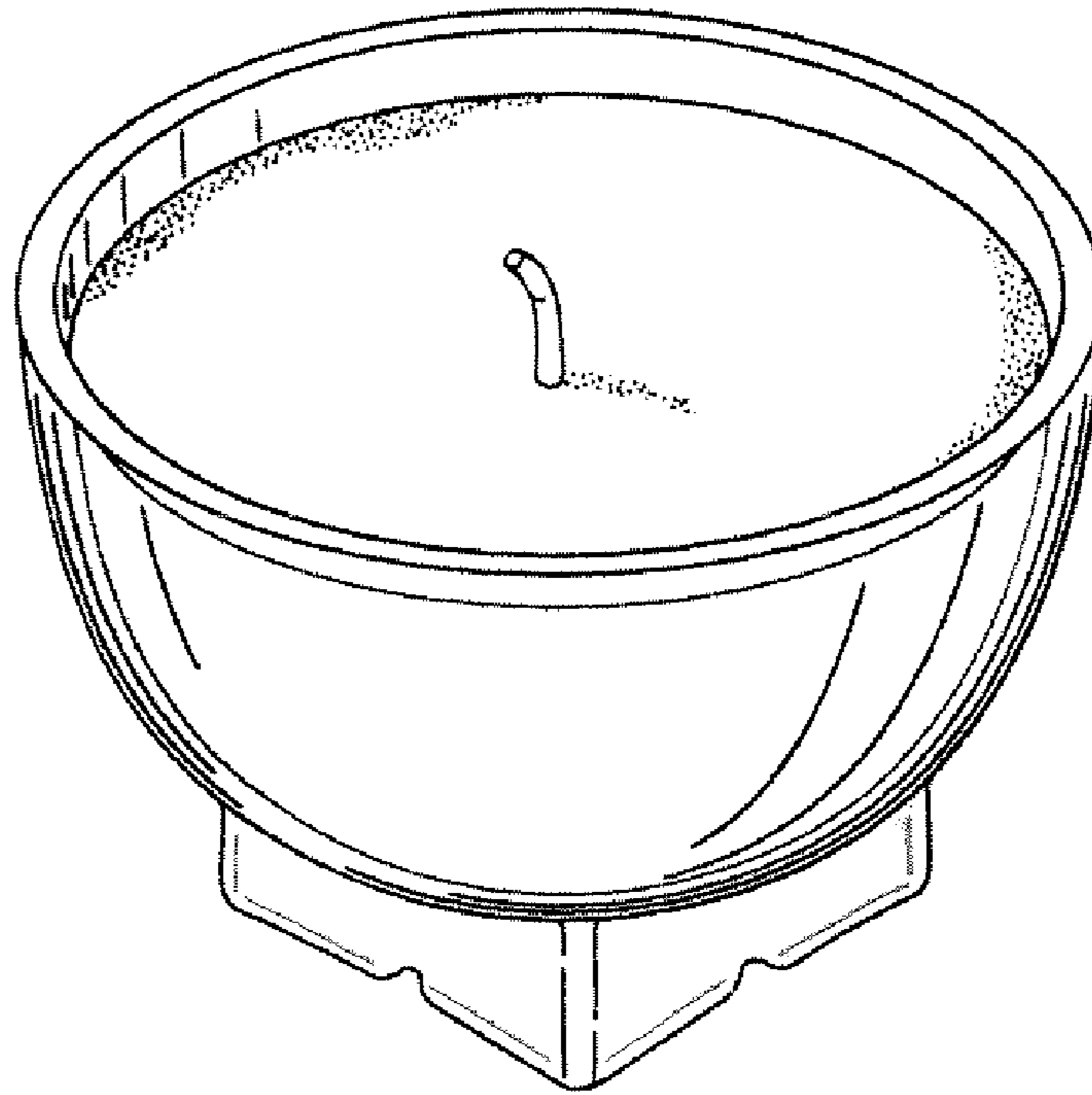


Fig. 1

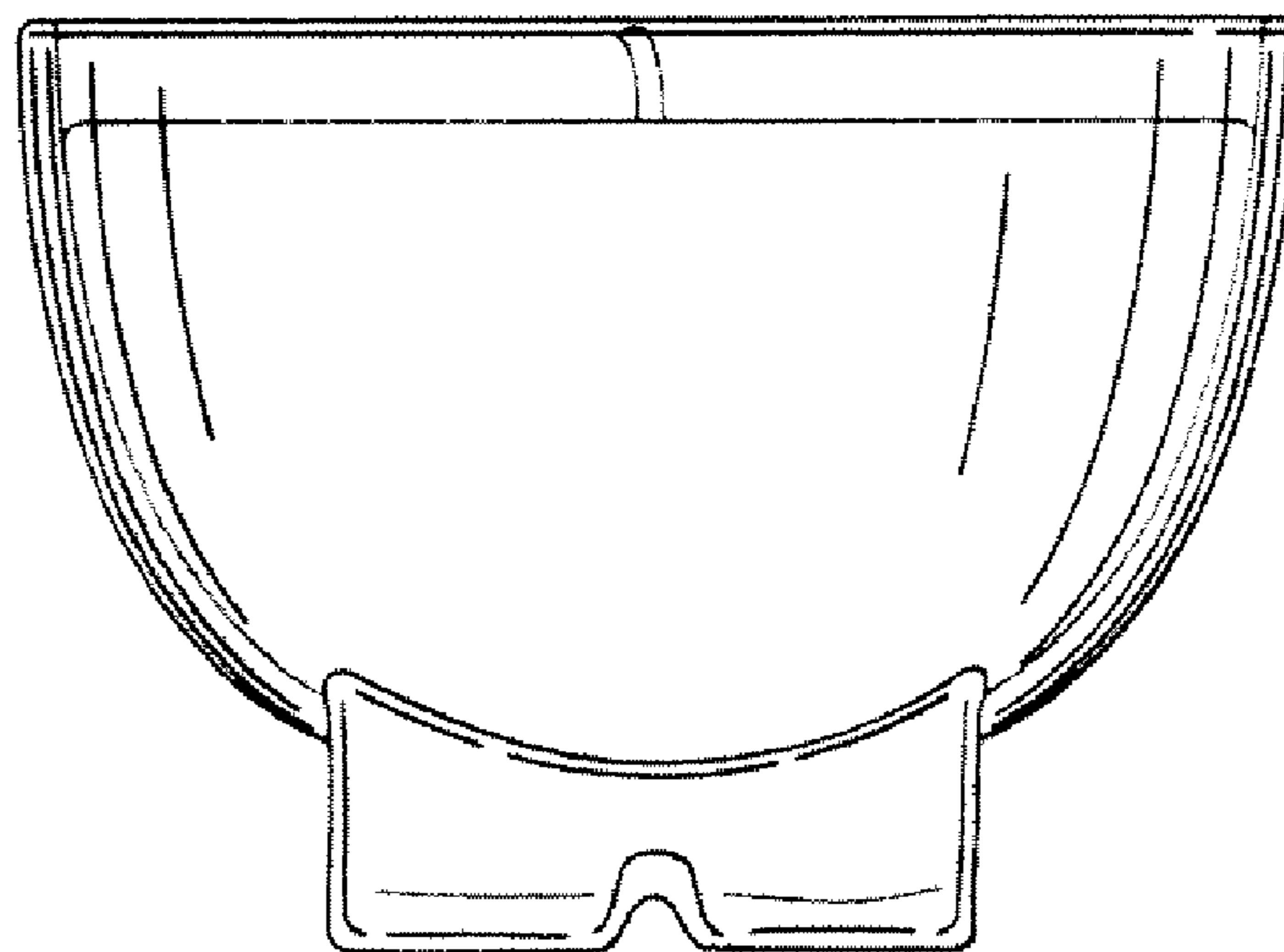


Fig. 2

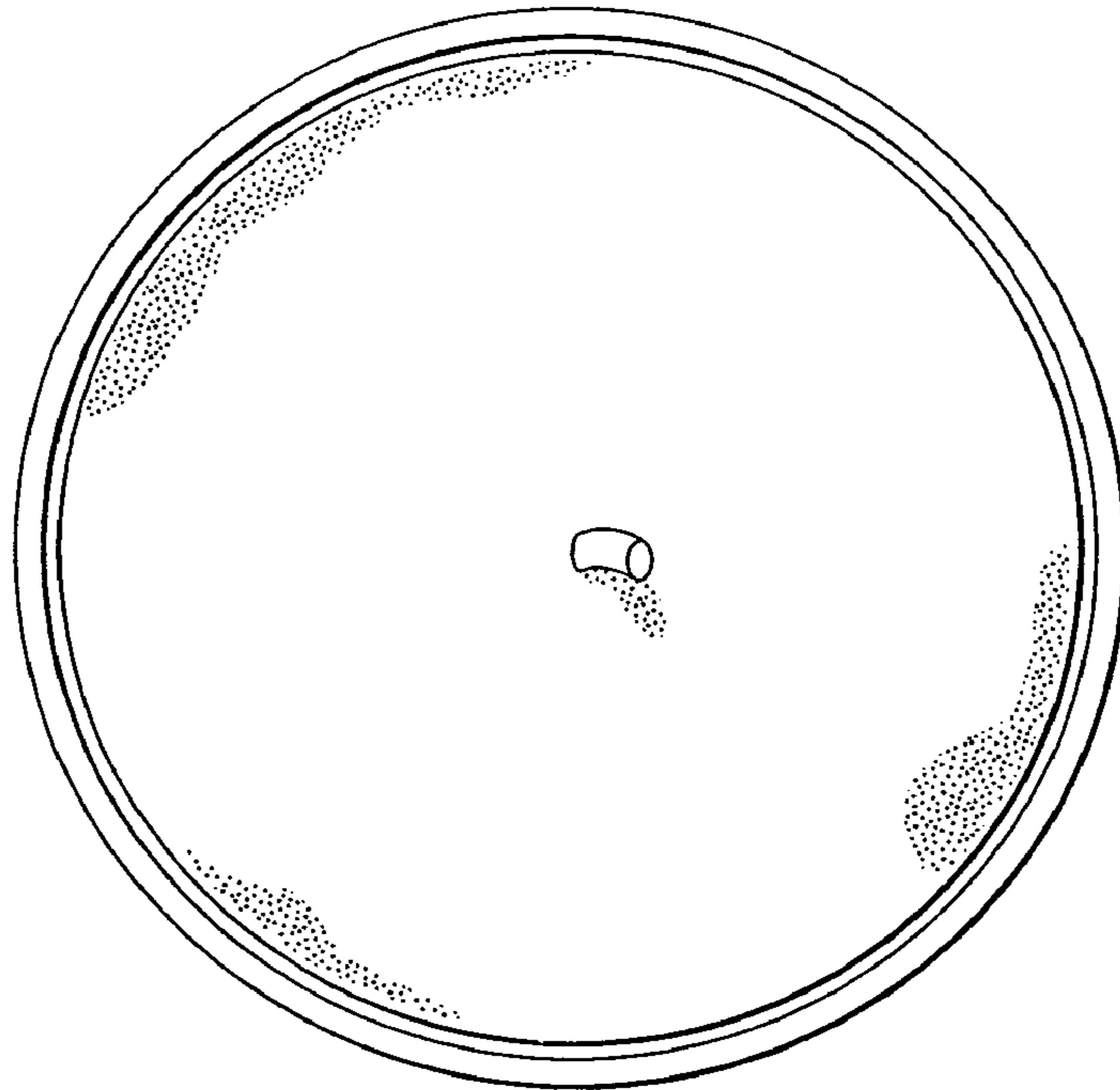


Fig. 3

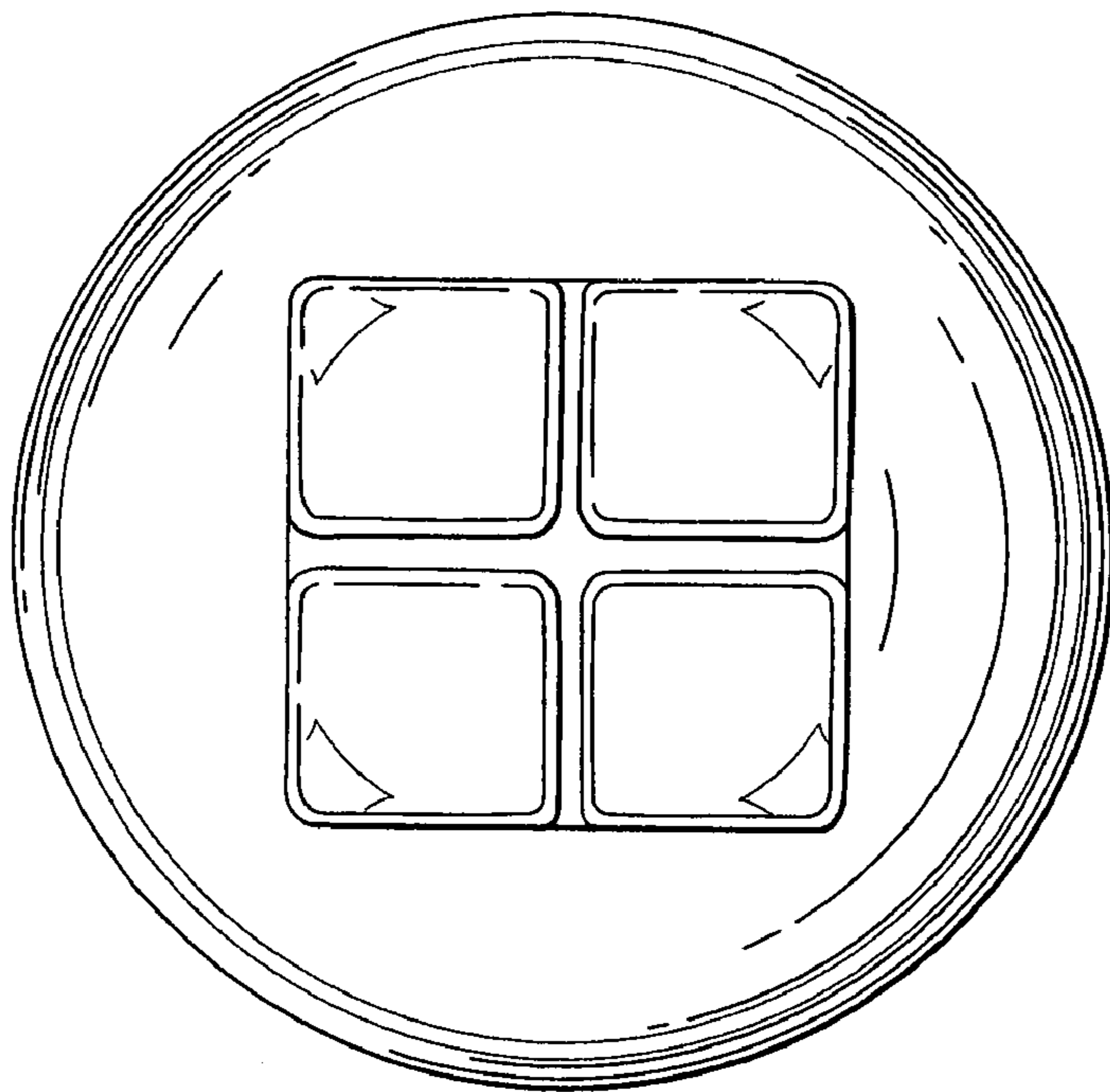


Fig. 4