



US00D552270S

(12) **United States Design Patent**  
**Vibiano**

(10) **Patent No.:** **US D552,270 S**

(45) **Date of Patent:** **\*\* Oct. 2, 2007**

(54) **PROFILE OF FLOORING STRIP**

(75) Inventor: **Flavia Athayde Vibiano**, São Paulo (BR)

(73) Assignee: **Eucatex S/A Industria E Comércio**, Salto, São Paulo (BR)

(\*\*) Term: **14 Years**

(21) Appl. No.: **29/265,314**

(22) Filed: **Aug. 29, 2006**

(51) **LOC (8) Cl.** ..... **25-01**

(52) **U.S. Cl.** ..... **D25/164**

(58) **Field of Classification Search** ..... D25/136,  
D25/164; 52/716.1, 716.8, 718.01, 718.04,  
52/717.06, 718.05, 718.06, 318, 290, 287.1,  
52/311.1, 311.2, 311.3, 314

See application file for complete search history.

(56) **References Cited**

U.S. PATENT DOCUMENTS

- 4,067,155 A \* 1/1978 Ruff et al. .... 52/105
- 4,893,449 A \* 1/1990 Kemper ..... 52/464
- D363,788 S \* 10/1995 Caley ..... D25/119
- D364,234 S \* 11/1995 Caley ..... D25/119
- 5,678,380 A \* 10/1997 Azzar ..... 52/716.4
- 5,939,670 A \* 8/1999 Shteynberg et al. .... 174/481

- 6,032,426 A \* 3/2000 Tamlyn ..... 52/483.1
- 6,047,506 A \* 4/2000 Kemper ..... 52/179
- 6,345,480 B1 \* 2/2002 Kemper et al. .... 52/395
- 6,550,192 B1 \* 4/2003 Nelson et al. .... 52/177
- 6,647,680 B2 \* 11/2003 Daly et al. .... 52/287.1

\* cited by examiner

*Primary Examiner*—Doris Clark

(74) *Attorney, Agent, or Firm*—McCormick, Paulding & Huber LLP

(57) **CLAIM**

I claim the ornamental design for a profile of flooring strip, as shown and described.

**DESCRIPTION**

FIG. 1 is a top front perspective view of my new design for a profile of flooring strip;

FIG. 2 is an end view thereof;

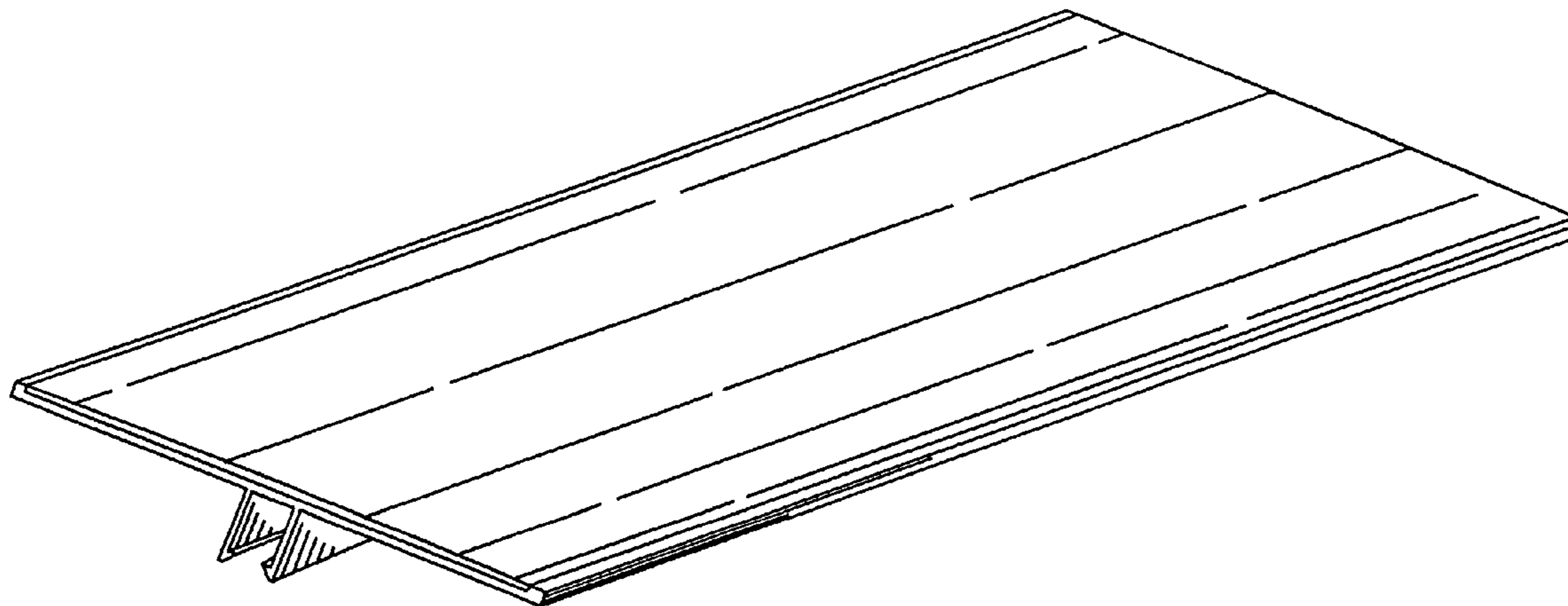
FIG. 3 is a side elevational view thereof;

FIG. 4 is a top plan view thereof; and,

FIG. 5 is a bottom plan view thereof.

The end view of FIG. 2 is typical of both the left and right hand ends. FIG. 3 is typical of both the front and rear elevations.

**1 Claim, 3 Drawing Sheets**



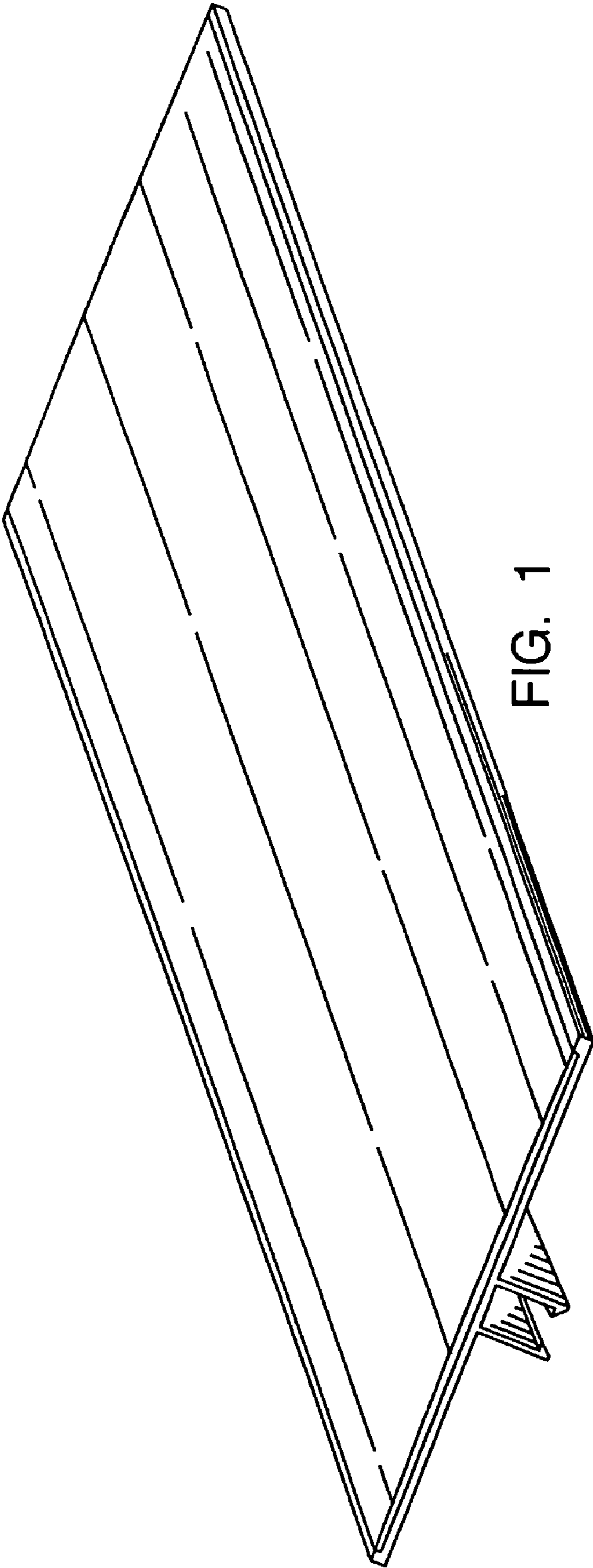


FIG. 1

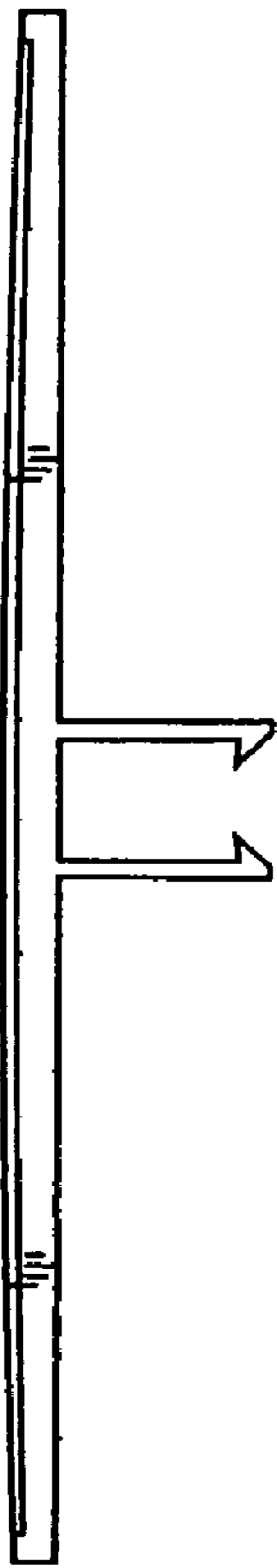


FIG. 2



FIG. 3

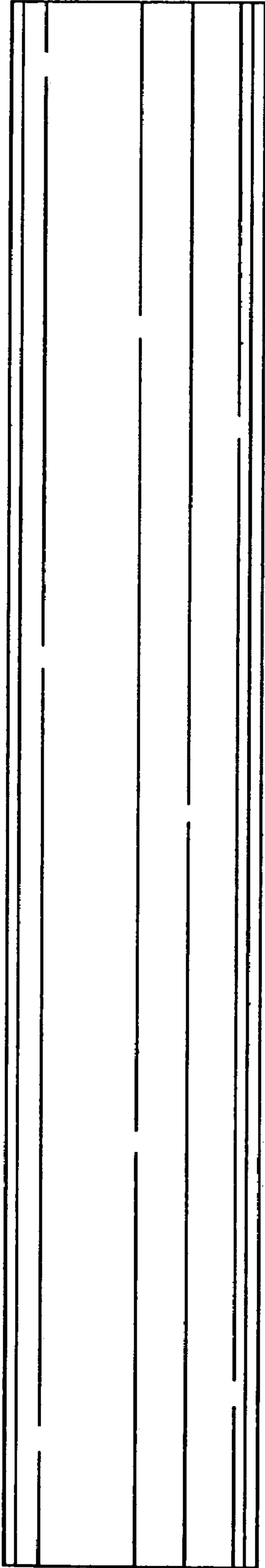


FIG. 4

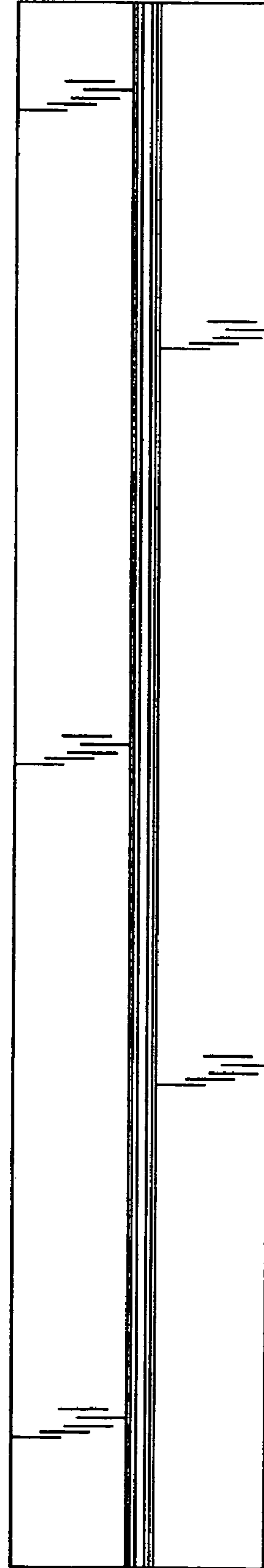


FIG. 5