



US00D552269S

(12) **United States Design Patent**
Vibiano

(10) **Patent No.:** **US D552,269 S**

(45) **Date of Patent:** **** Oct. 2, 2007**

(54) **FLOORING SUPPORT STRIP PROFILE**

(75) Inventor: **Flavia Athayde Vibiano**, São Paulo (BR)

(73) Assignee: **Eucatex S/A Industria E Comércio**, Salto, São Paulo (BR)

(**) Term: **14 Years**

(21) Appl. No.: **29/265,313**

(22) Filed: **Aug. 29, 2006**

(51) **LOC (8) Cl.** **25-01**

(52) **U.S. Cl.** **D25/164**

(58) **Field of Classification Search** D25/136,
D25/164; 52/716.1, 716.8, 718.01, 718.04,
52/717.06, 718.05, 718.06, 318, 290, 287.1,
52/311.1, 311.2, 311.3, 314

See application file for complete search history.

(56) **References Cited**

U.S. PATENT DOCUMENTS

4,067,155	A *	1/1978	Ruff et al.	52/105
4,893,449	A *	1/1990	Kemper	52/464
D363,788	S *	10/1995	Caley	D25/119
D364,234	S *	11/1995	Caley	D25/119
5,678,380	A *	10/1997	Azzar	52/716.4

5,939,670	A *	8/1999	Shteynberg et al.	174/481
6,032,426	A *	3/2000	Tamlyn	52/483.1
6,047,506	A *	4/2000	Kemper	52/179
6,345,480	B1 *	2/2002	Kemper et al.	52/395
6,550,192	B1 *	4/2003	Nelson et al.	52/177
6,647,680	B2 *	11/2003	Daly et al.	52/287.1

* cited by examiner

Primary Examiner—Doris Clark

(74) *Attorney, Agent, or Firm*—McCormick, Paulding & Huber LLP

(57) **CLAIM**

I claim the ornamental design for a flooring support strip profile, as shown and described.

DESCRIPTION

FIG. 1 is a top front perspective view of my design for flooring support strip profile;

FIG. 2 is an end view thereof;

FIG. 3 is a front elevational view thereof;

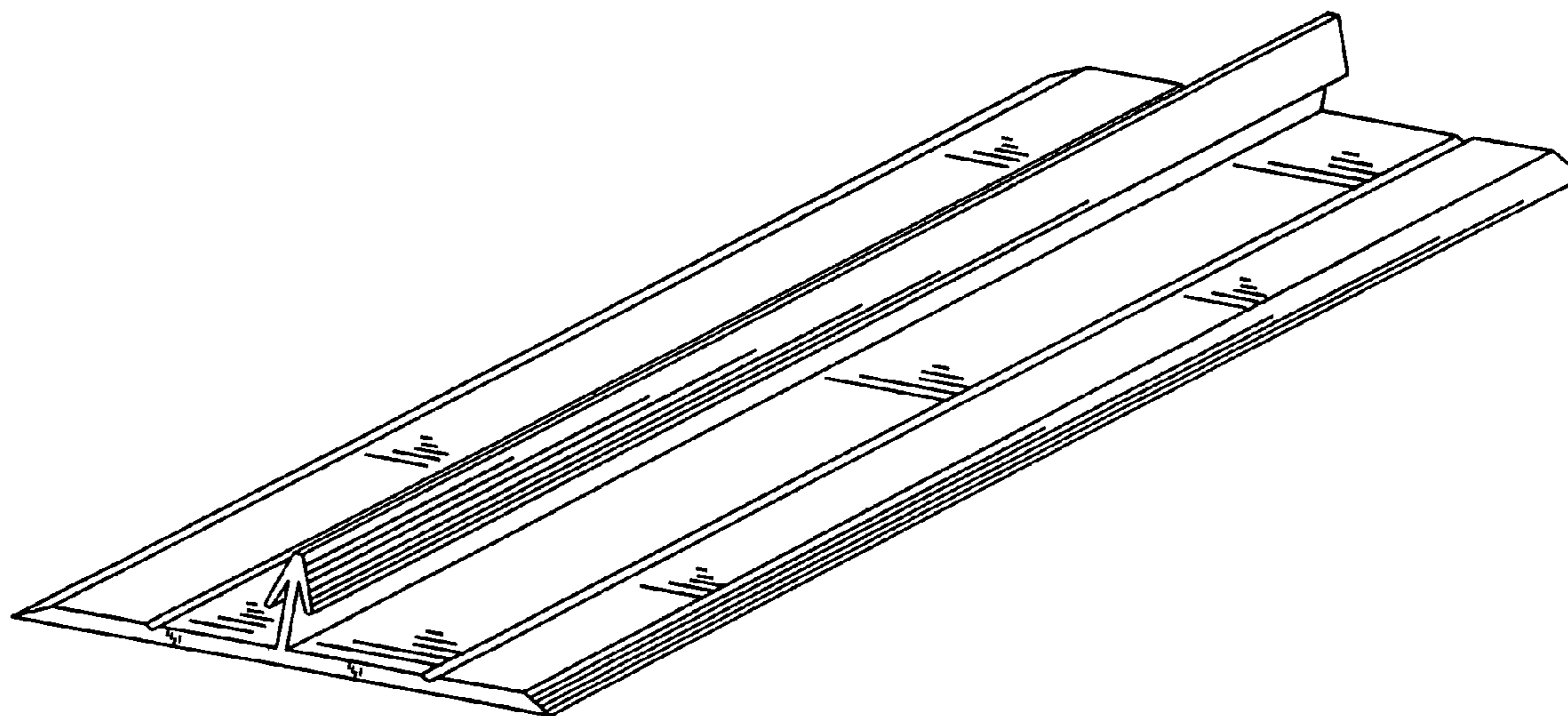
FIG. 4 is a top plan view thereof; and,

FIG. 5 is a bottom plan view thereof.

FIG. 2 is typical of both the left and right hand end thereof.

FIG. 3 is typical of both the front and rear sides thereof.

1 Claim, 3 Drawing Sheets



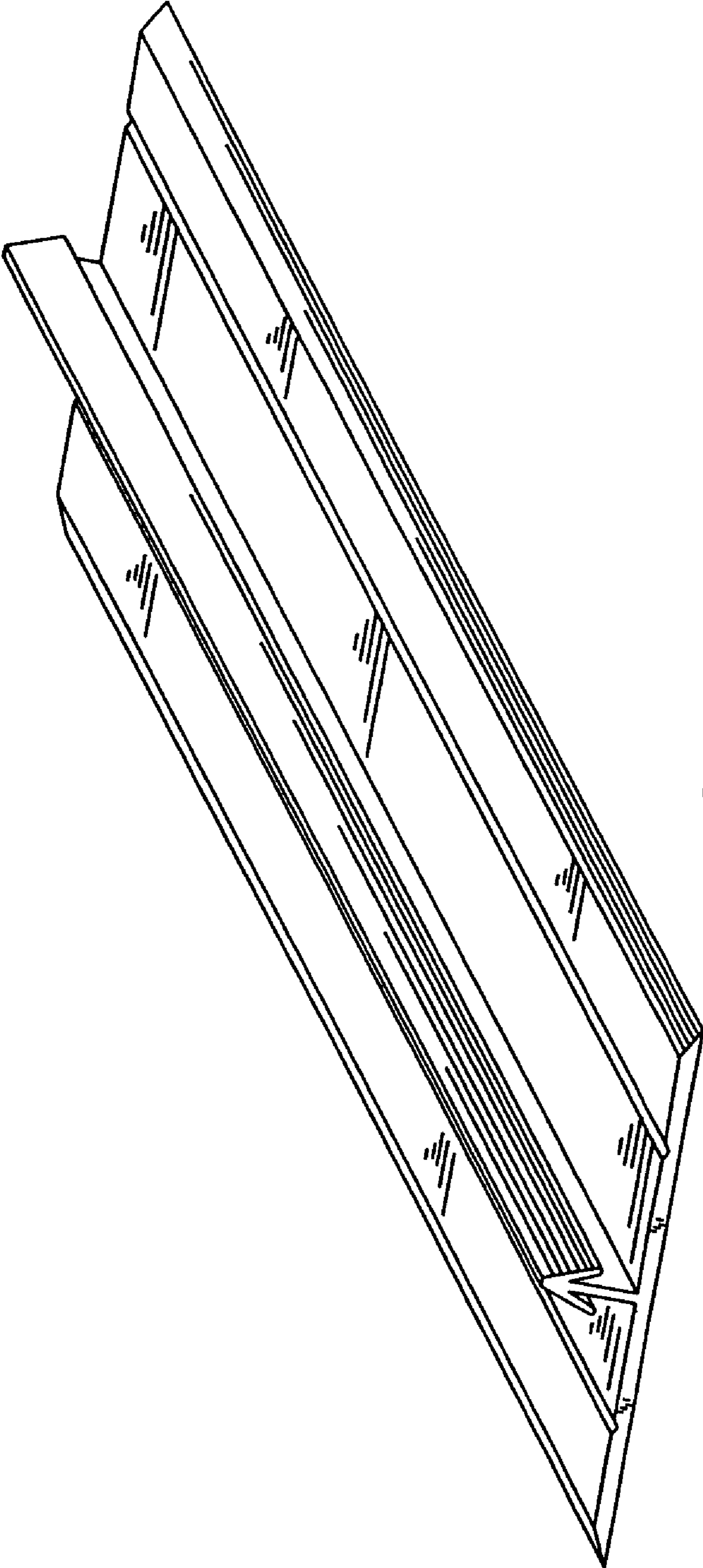


FIG. 1

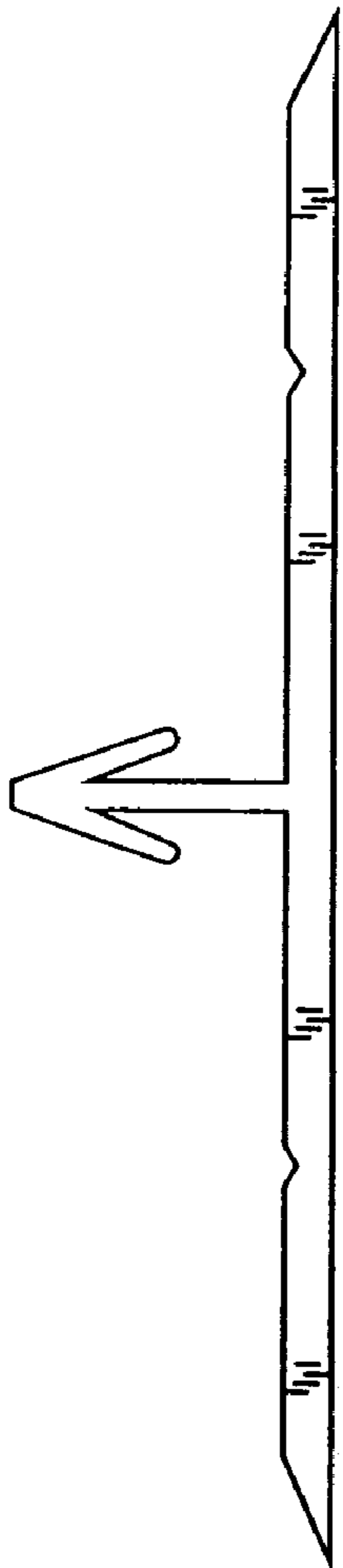


FIG. 2

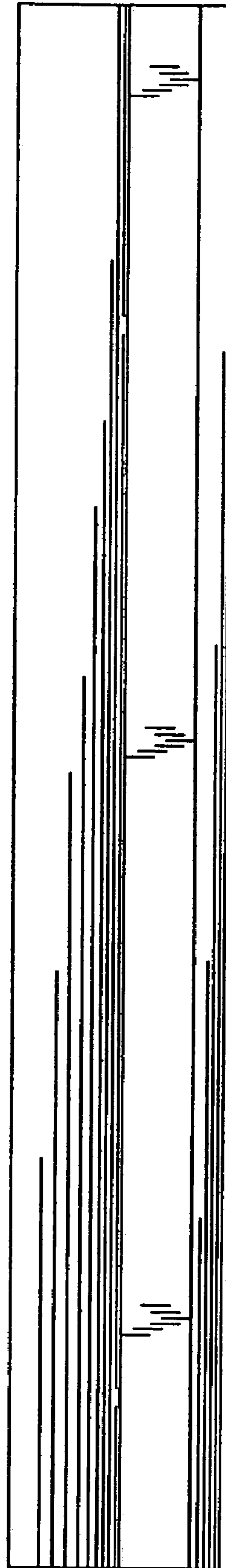


FIG. 3

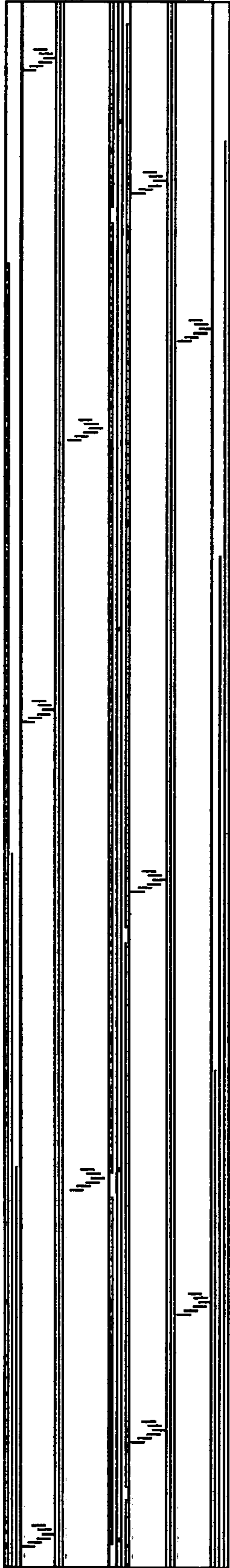


FIG. 4

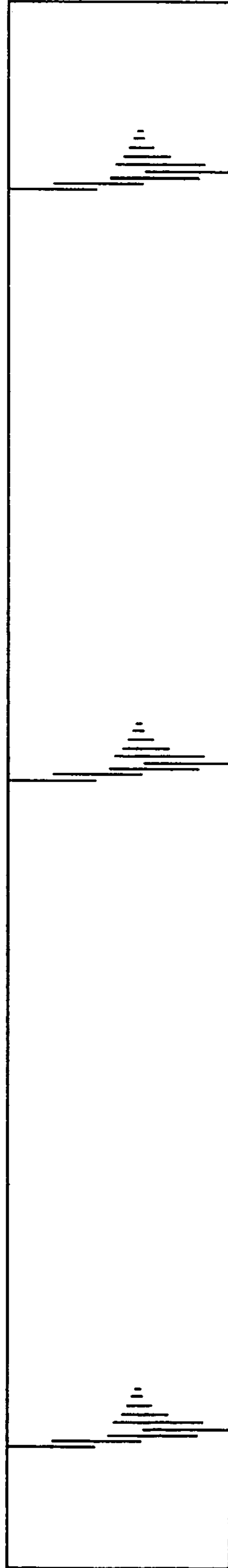


FIG. 5