



US00D552265S

(12) **United States Design Patent**
Heath et al.

(10) **Patent No.:** **US D552,265 S**
(45) **Date of Patent:** **** Oct. 2, 2007**

(54) **SIMULATED STONE ARCHITECTURAL TRIM ASSEMBLY**

(75) Inventors: **Robert W. Heath**, Napa, CA (US);
Donald W. Ferguson, Napa, CA (US)

(73) Assignee: **Owens-Corning Fiberglas Technology Inc.**, Summit, IL (US)

(**) Term: **14 Years**

(21) Appl. No.: **29/245,705**

(22) Filed: **Dec. 28, 2005**

(51) **LOC (8) Cl.** **25-01**

(52) **U.S. Cl.** **D25/136**

(58) **Field of Classification Search** D25/136-137,
D25/152-155, 113, 102, 119, 151, 58, 164,
D25/199; 52/314-315, 311.1, 39, 273, 455,
52/716.8, 232

See application file for complete search history.

(56) **References Cited**

U.S. PATENT DOCUMENTS

D245,268 S *	8/1977	Maresca	D25/154
5,440,847 A *	8/1995	Butler	52/311.1
D518,901 S *	4/2006	Stackenwalt et al.	D25/136
2004/0003561 A1 *	1/2004	Ringness	52/314
2004/0103591 A1 *	6/2004	Chornenky et al.	52/314
2004/0221540 A1 *	11/2004	Simons	52/311.1
2005/0000180 A1 *	1/2005	Yoon	52/455

* cited by examiner

Primary Examiner—Catherine R. Oliver

(74) *Attorney, Agent, or Firm*—Inger H. Eckert; James J. Dottavio

(57) **CLAIM**

The ornamental design for a simulated stone architectural trim assembly, as shown and described.

DESCRIPTION

The claimed simulated stone architectural trim assembly is used to surround an electrical junction box and can be mounted on an exterior or interior surface.

FIG. 1 is a top plan view of one embodiment of a simulated stone architectural trim assembly showing our new design;

FIG. 2 is a front elevational view of the design of FIG. 1;

FIG. 3 is a side elevational view of the design of FIG. 1;

FIG. 4 is a cross-sectional view taken along the line 4—4 in FIG. 1;

FIG. 5 is a cross-sectional view taken along the line 5—5 in FIG. 1;

FIG. 6 is a top plan view of another embodiment of a simulated stone architectural trim assembly showing our new design;

FIG. 7 is a front elevational view of the design of FIG. 6;

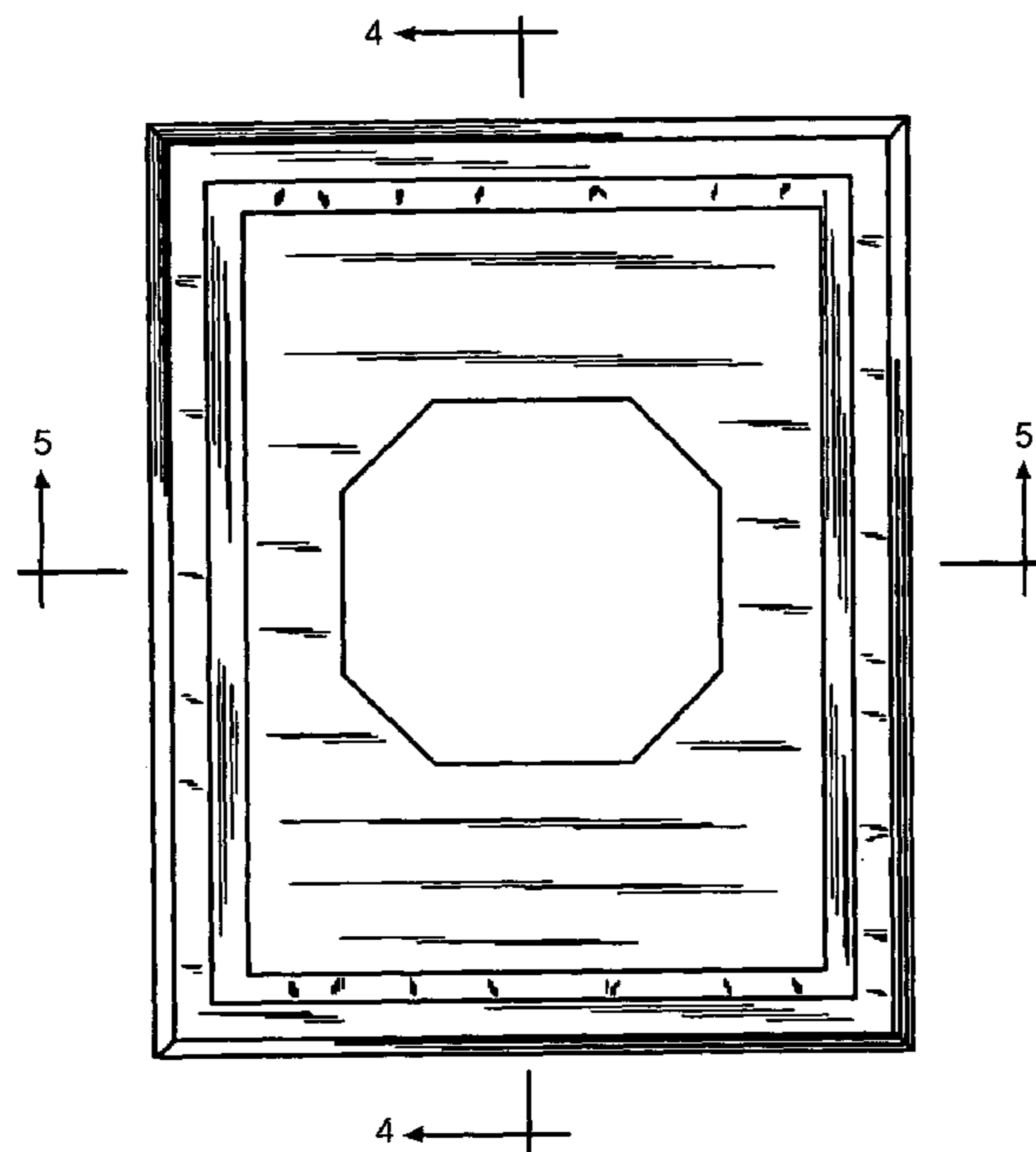
FIG. 8 is a side elevational view of the design of FIG. 6;

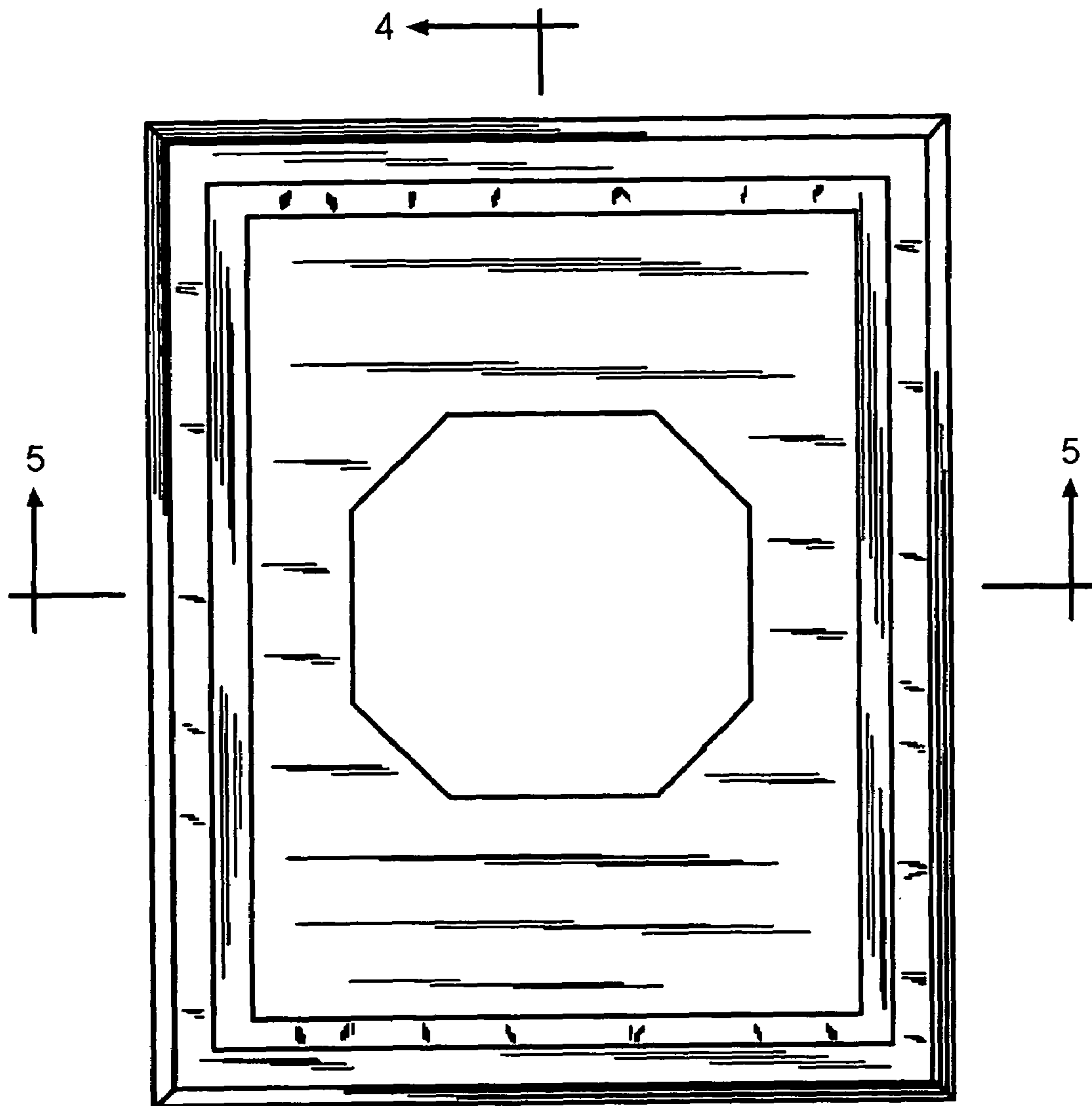
FIG. 9 is a cross-sectional view taken along the line 9—9 in FIG. 6; and,

FIG. 10 is a cross-sectional view taken along the line 10—10 in FIG. 6.

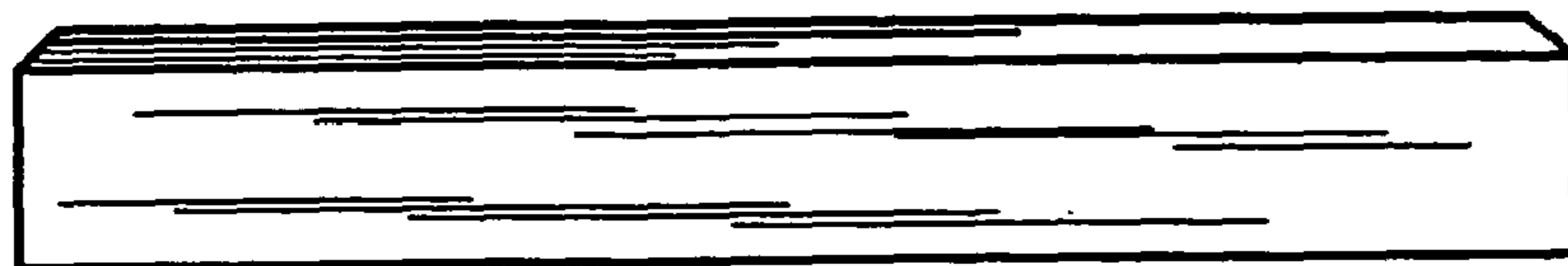
The rear of the simulated stone architectural trim assembly forms no part of the claimed design.

1 Claim, 4 Drawing Sheets





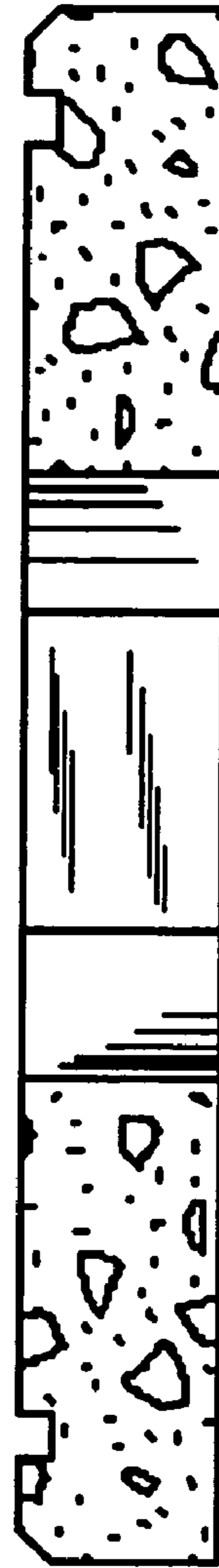
4 ←
— FIG. 1



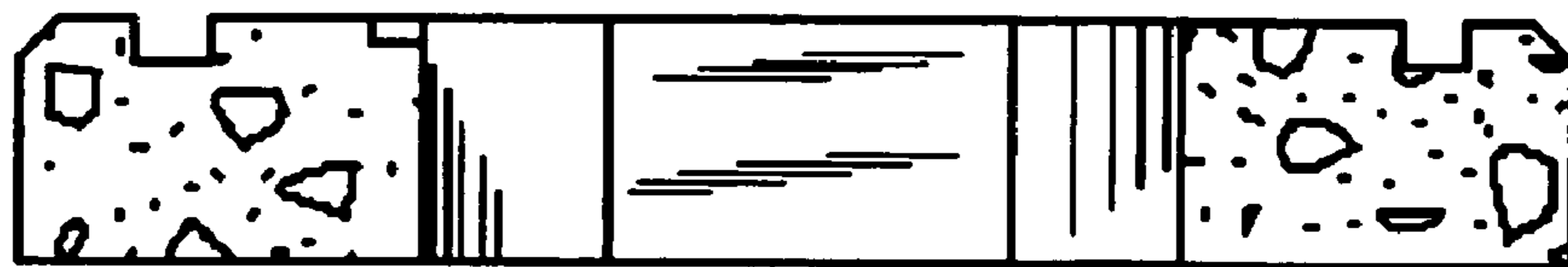
— FIG. 2



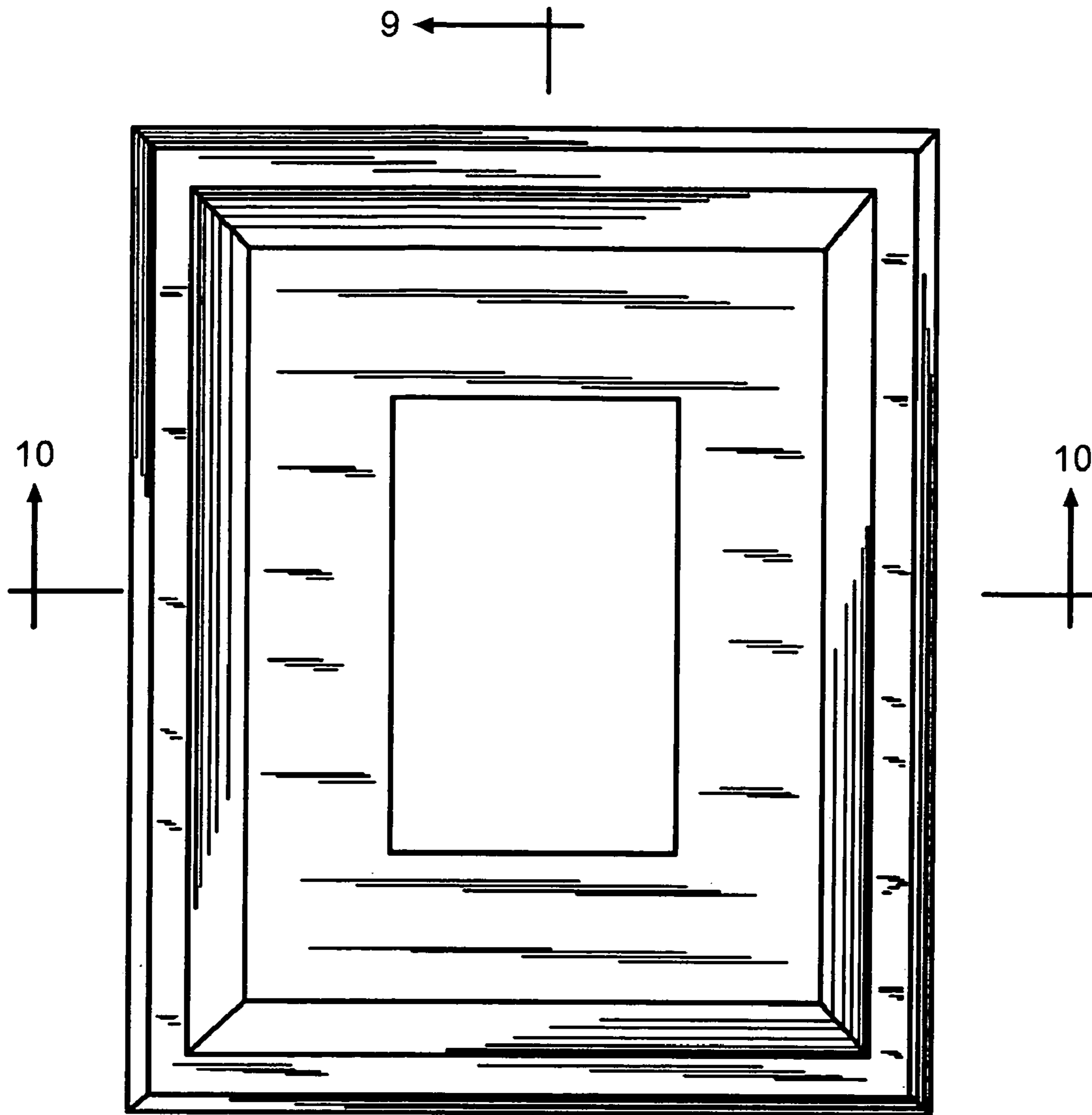
—FIG. 3



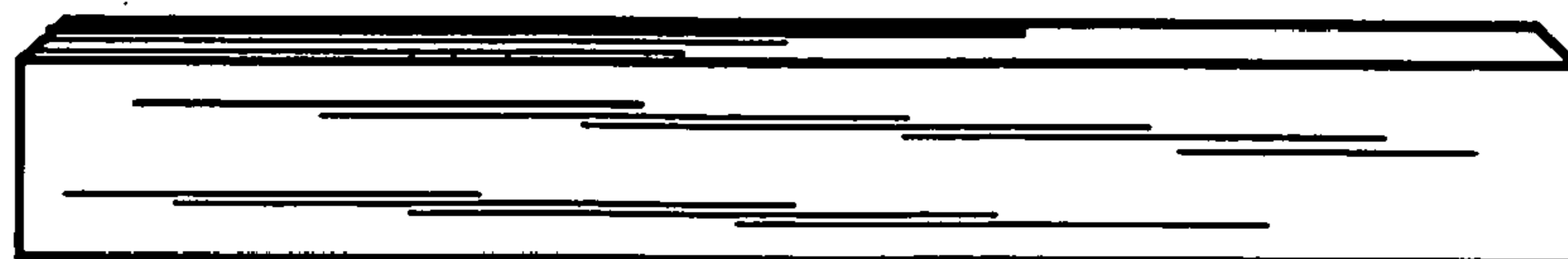
—FIG. 4



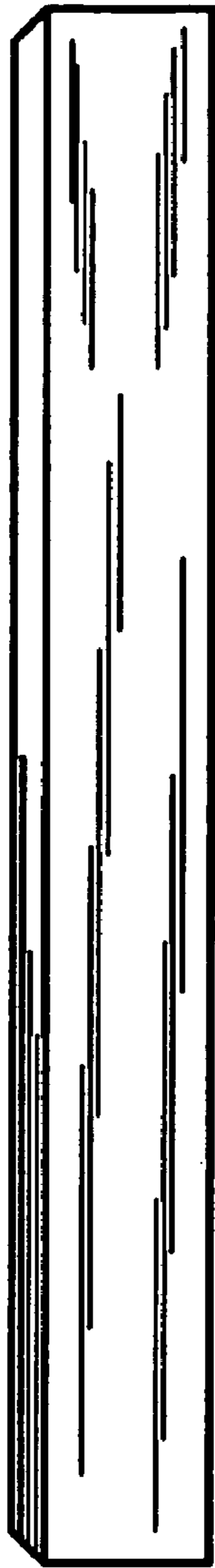
—FIG. 5



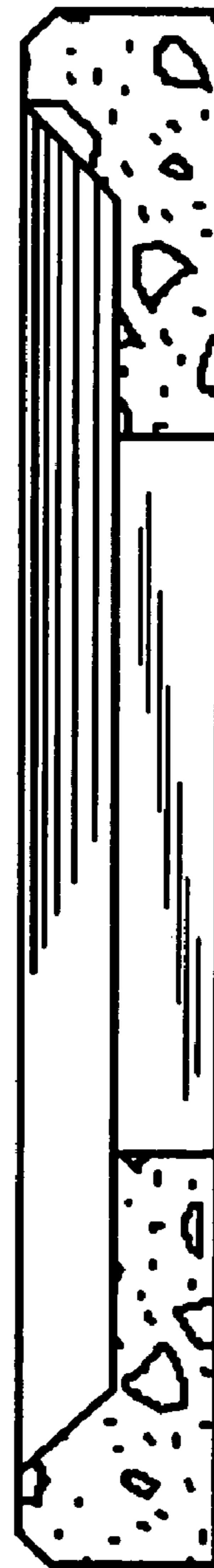
9 ←
— FIG. 6



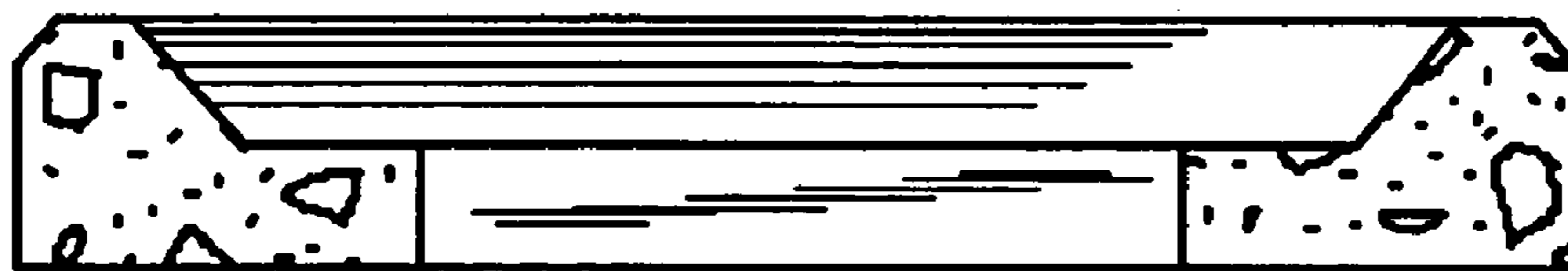
— FIG. 7



— FIG. 8



— FIG. 9



— FIG. 10