



US00D552259S

(12) **United States Design Patent**
Allsopp

(10) **Patent No.:** **US D552,259 S**

(45) **Date of Patent:** **** Oct. 2, 2007**

(54) **EXTRUSION**

(75) Inventor: **Reginald Charles Allsopp**, Stockport (GB)

(73) Assignee: **Louver-Lite Limited**, Cheshire (GB)

(**) Term: **14 Years**

(21) Appl. No.: **29/241,015**

(22) Filed: **Oct. 21, 2005**

(30) **Foreign Application Priority Data**

Apr. 22, 2005 (EM) 000337597

(51) **LOC (8) Cl.** **25-01**

(52) **U.S. Cl.** **D25/119**

(58) **Field of Classification Search** 160/107,
160/113, 130, 131, 166.1, 167 R, 371, 179,
160/387, 392; 428/85; 52/716.1; D25/119
See application file for complete search history.

(56) **References Cited**

U.S. PATENT DOCUMENTS

4,768,576 A * 9/1988 Anderson 160/107
5,000,242 A 3/1991 Coddens
5,282,504 A 2/1994 Anderson et al.

D491,280 S * 6/2004 Barnett D25/119
D497,678 S * 10/2004 Brabeck D25/119
6,817,401 B2 11/2004 Sun et al.
6,901,701 B2 * 6/2005 Lee 49/82.1
6,932,139 B2 * 8/2005 Early et al. 160/107

FOREIGN PATENT DOCUMENTS

EP 0 942 141 9/1999

* cited by examiner

Primary Examiner—Doris Clark

(74) *Attorney, Agent, or Firm*—Haugen Law Firm LLP

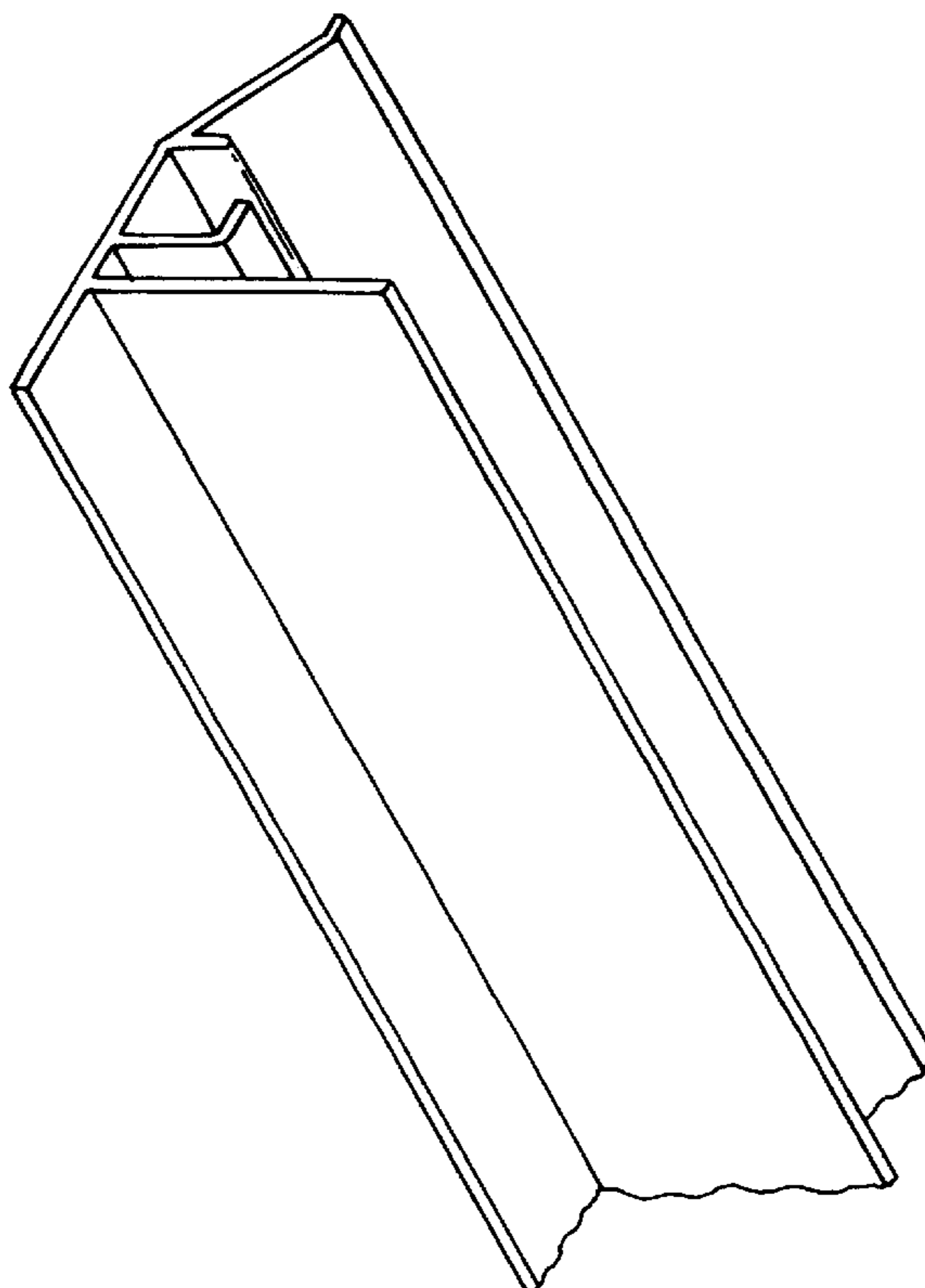
(57) **CLAIM**

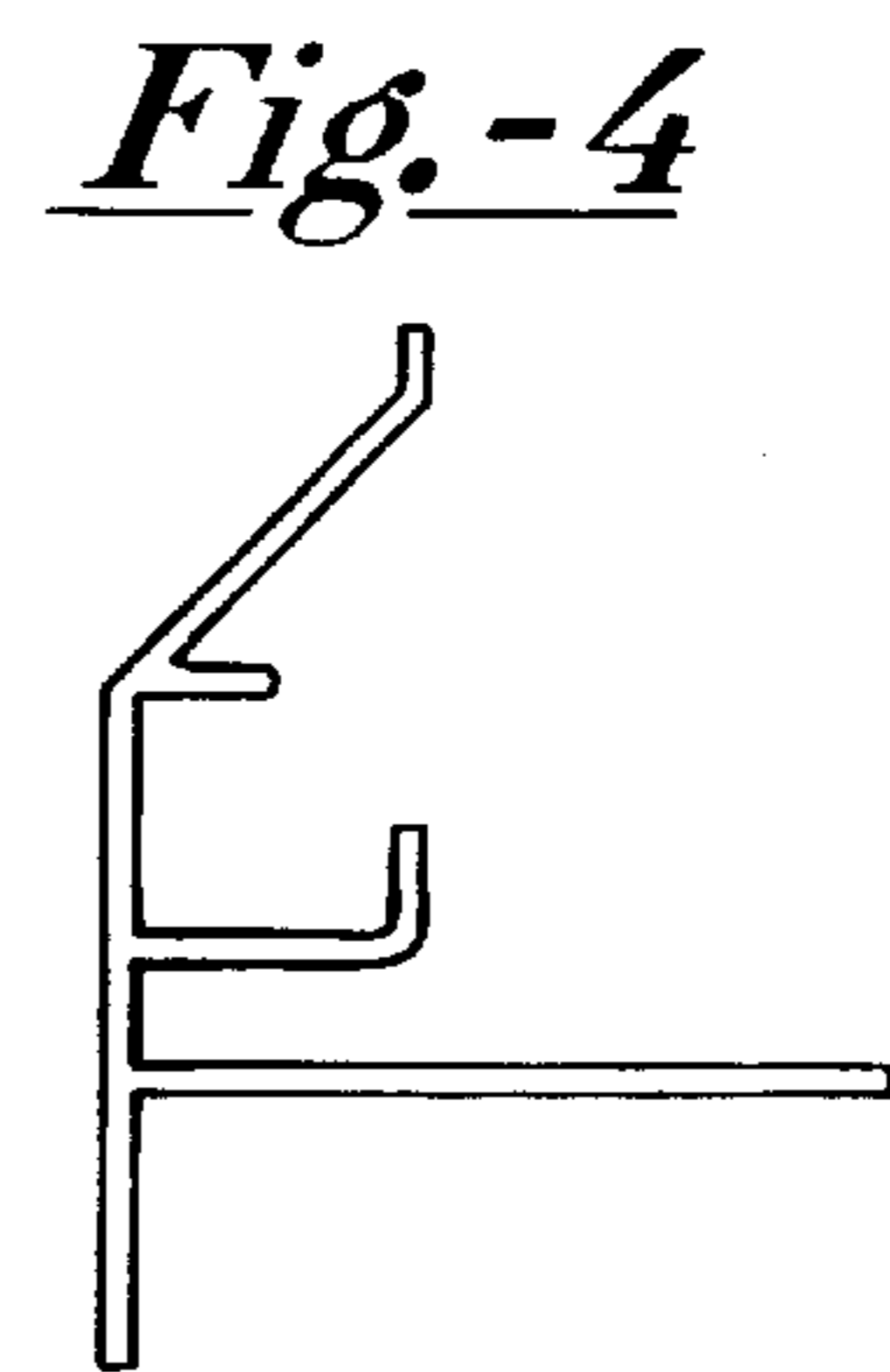
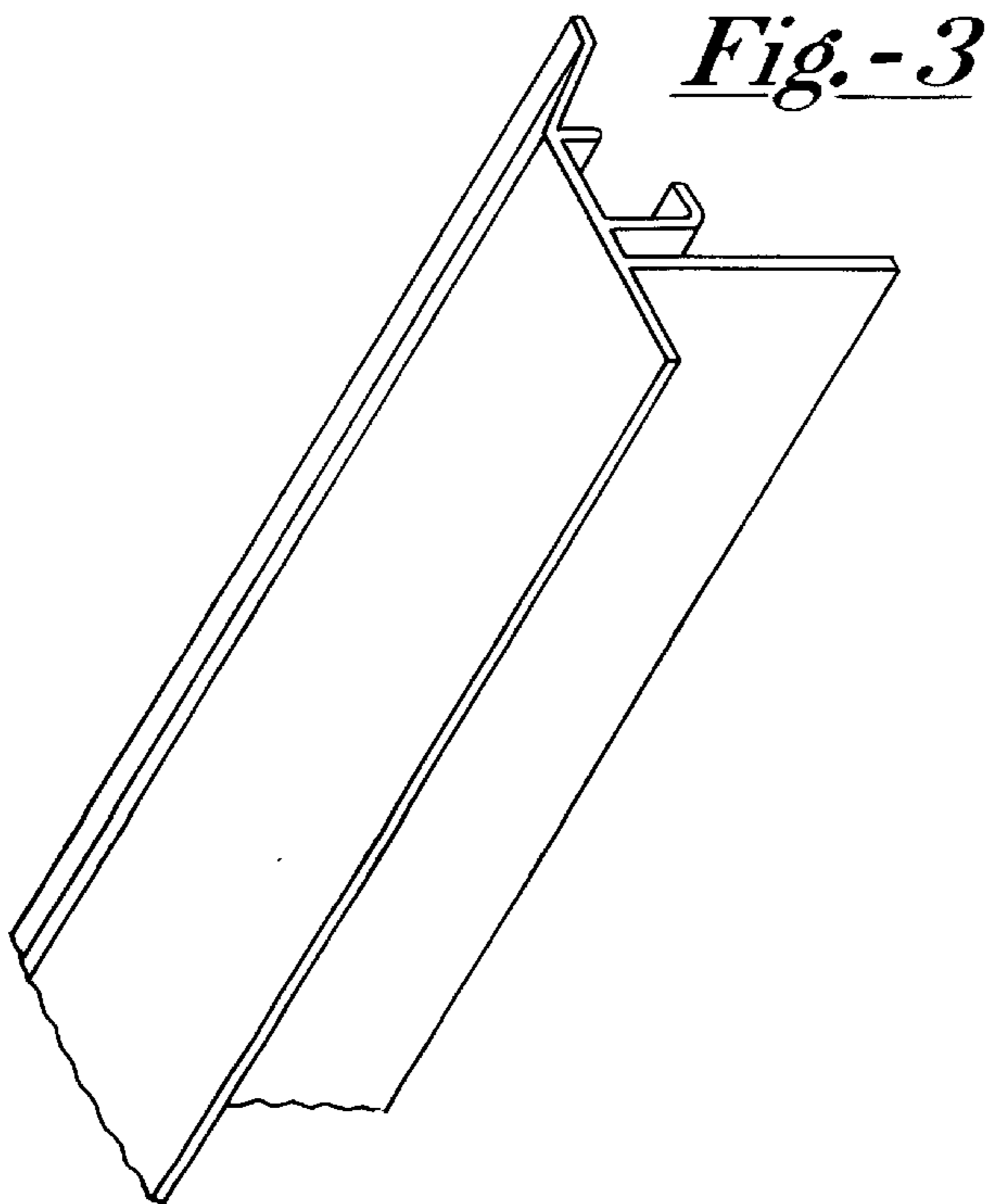
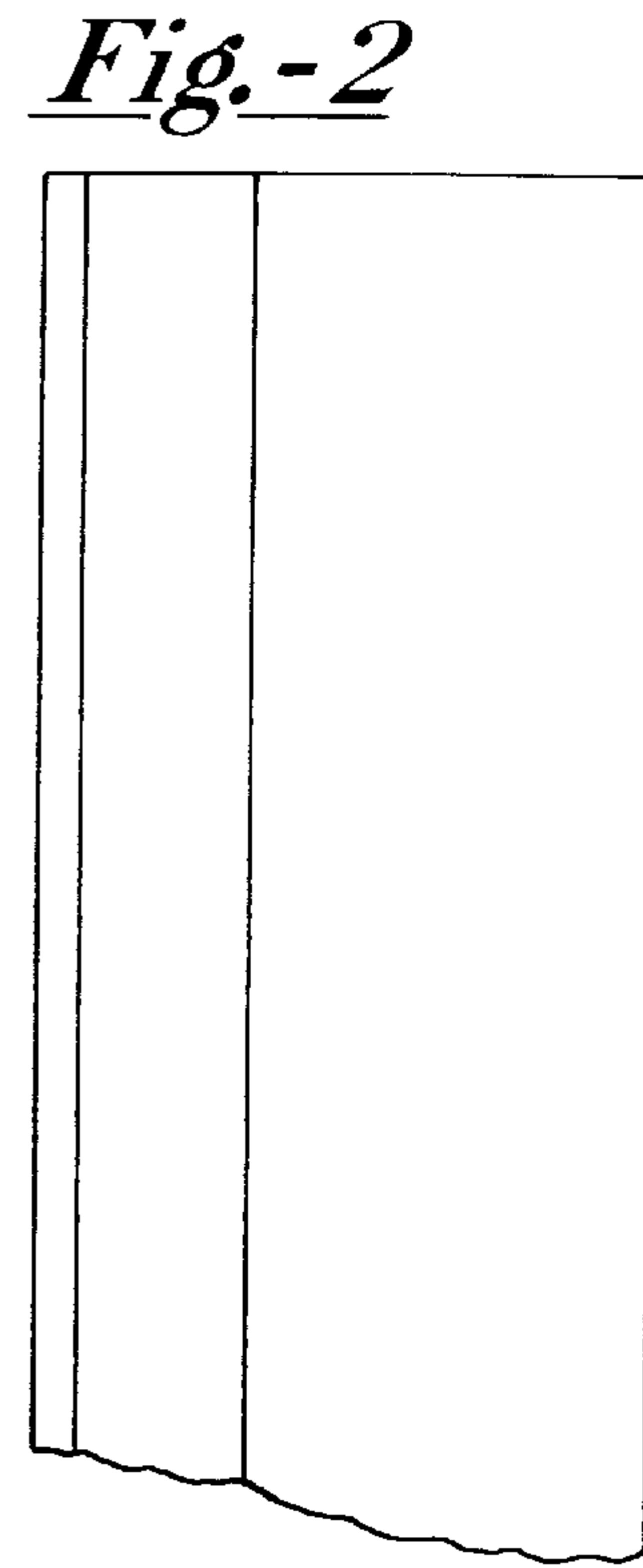
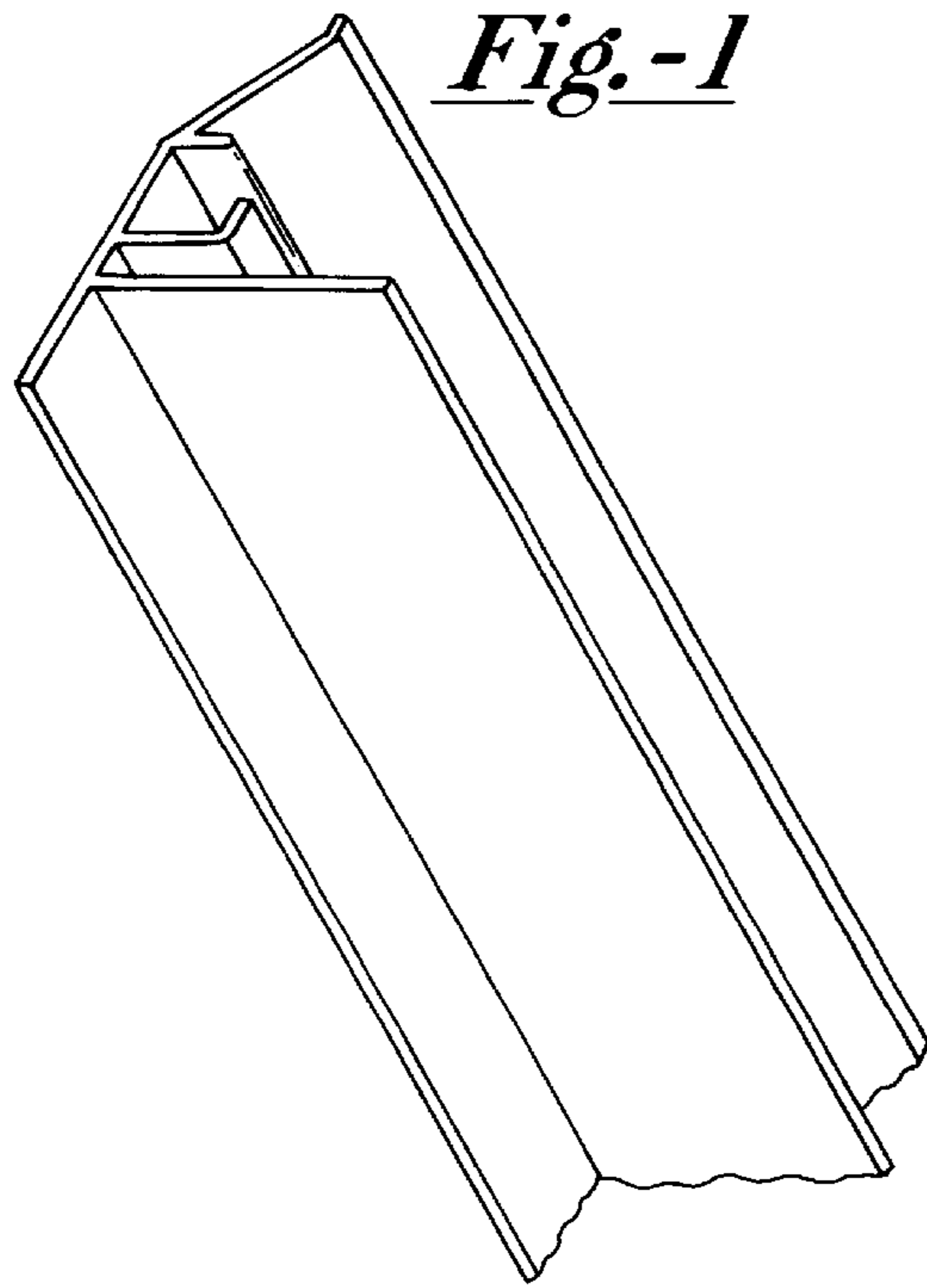
The ornamental design for an extrusion, as shown and described.

DESCRIPTION

FIG. 1 is a bottom, rear and left side perspective view;
FIG. 2 is a top elevation view;
FIG. 3 is a rear perspective view;
FIG. 4 is an end elevation view thereof;
FIG. 5 is a bottom front and right side perspective view;
FIG. 6 is a top, front and right side perspective view; and,
FIG. 7 is a bottom plan view thereof.

1 Claim, 2 Drawing Sheets





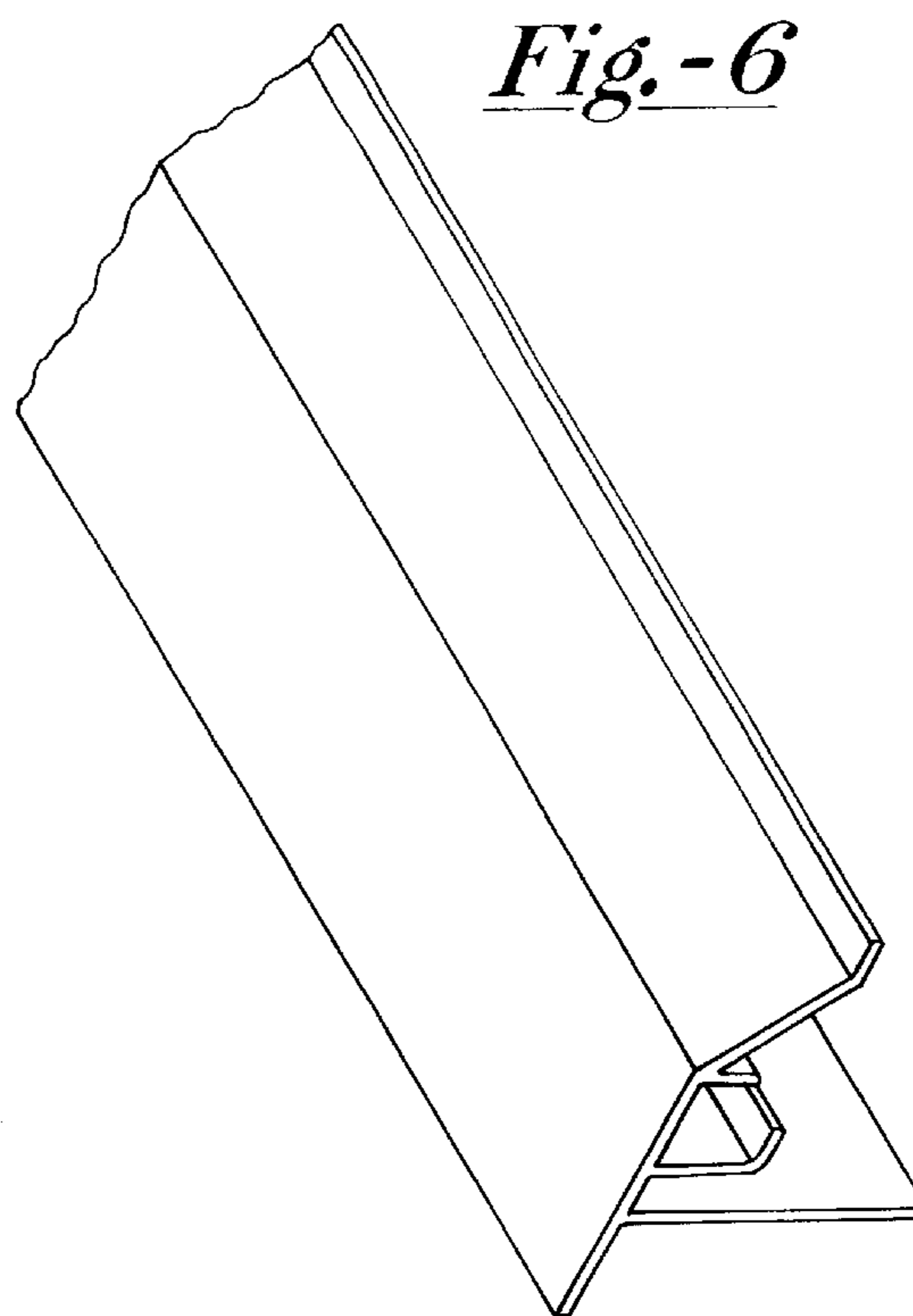
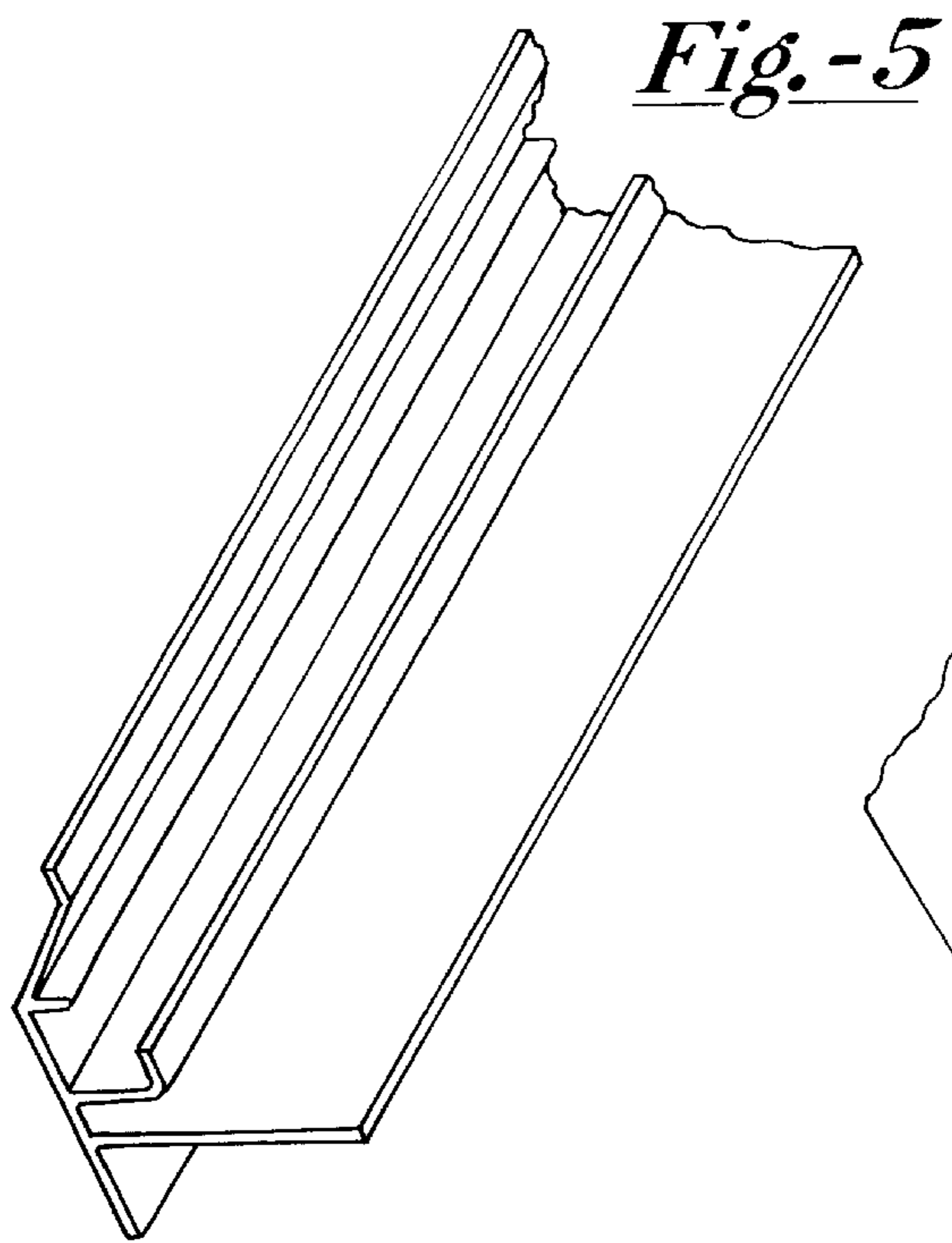


Fig.-7

