



US00D552257S

(12) **United States Design Patent**
Berry

(10) **Patent No.:** **US D552,257 S**

(45) **Date of Patent:** **** Oct. 2, 2007**

(54) **LADDER ACCESSORY**

(76) Inventor: **Lewis Berry**, 1318 Mosby St.,
Richmond, VA (US) 23223

(**) Term: **14 Years**

(21) Appl. No.: **29/253,196**

(22) Filed: **Feb. 2, 2006**

(51) **LOC (8) Cl.** **25-04**

(52) **U.S. Cl.** **D25/68**

(58) **Field of Classification Search** D25/68,
D25/69, 64, 63; 182/151, 107, 21, 180.1,
182/194, 130, 132, 67.4, 152, 156, 157, 161,
182/129, 230; 248/210, 238

See application file for complete search history.

(56) **References Cited**

U.S. PATENT DOCUMENTS

4,964,601	A	10/1990	Dishman	
4,979,710	A	12/1990	Baldwin	
D331,289	S *	11/1992	Davis D25/68
5,342,008	A	8/1994	Kay	
5,511,753	A *	4/1996	Lage 248/238

5,673,885	A *	10/1997	Pham 248/210
5,813,530	A *	9/1998	Kornblatt 206/373
6,502,664	B1 *	1/2003	Peaker, Sr. 182/129

* cited by examiner

Primary Examiner—Doris Clark

(74) *Attorney, Agent, or Firm*—Raymond M. Galasso;
Galasso & Associates, LP

(57) **CLAIM**

The ornamental design for ladder accessory, as shown and described.

DESCRIPTION

FIG. 1 is a left perspective view of a ladder accessory showing my new design.

FIG. 2 is a perspective view thereof shown without the ladder.

FIG. 3 is a side elevation view thereof; and,

FIG. 4 is a right perspective view thereof.

The broken lines showing a ladder is for illustrative purposes only and form no part of the claimed design.

1 Claim, 2 Drawing Sheets

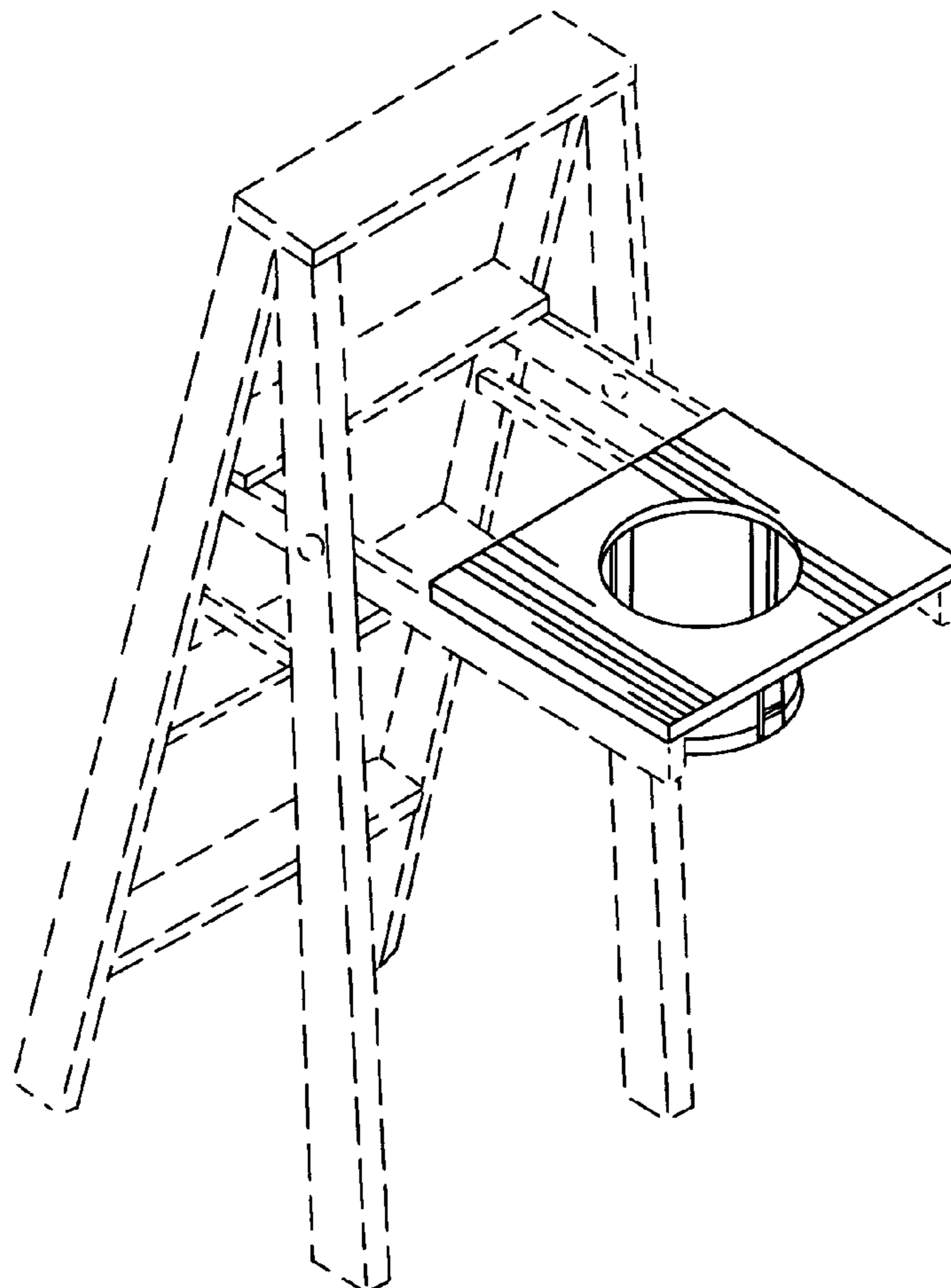


Fig. 1

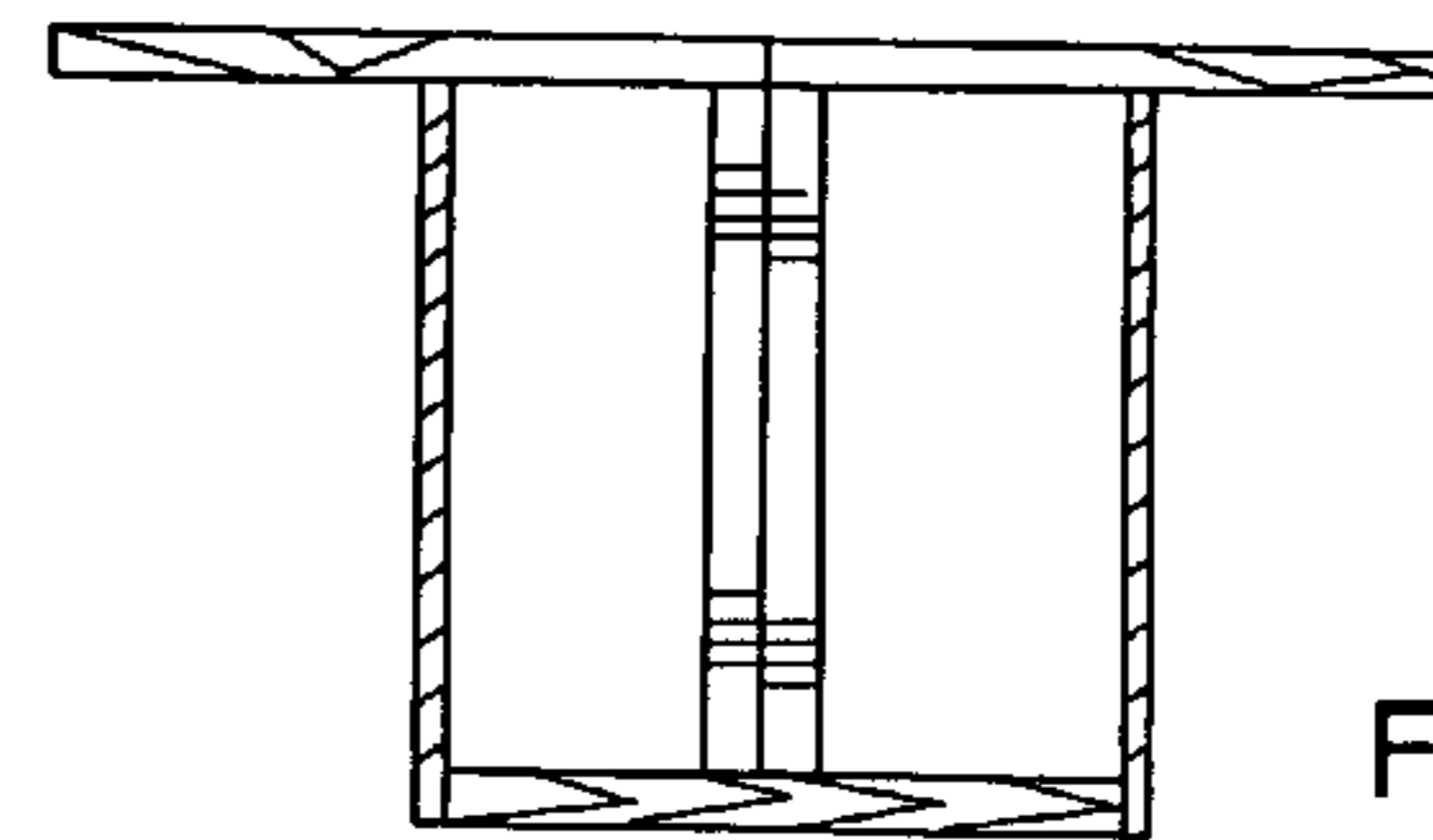
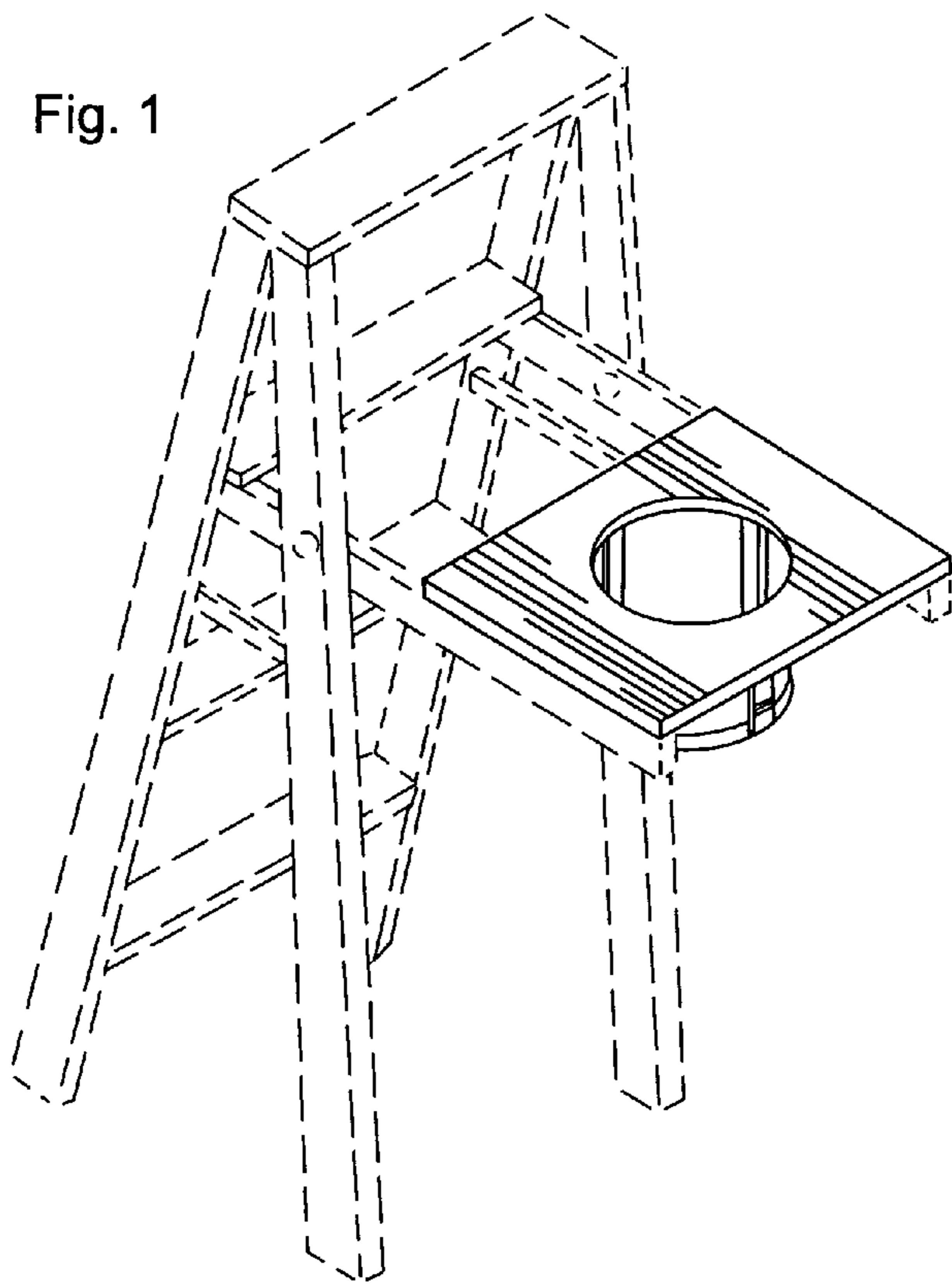


Fig. 3

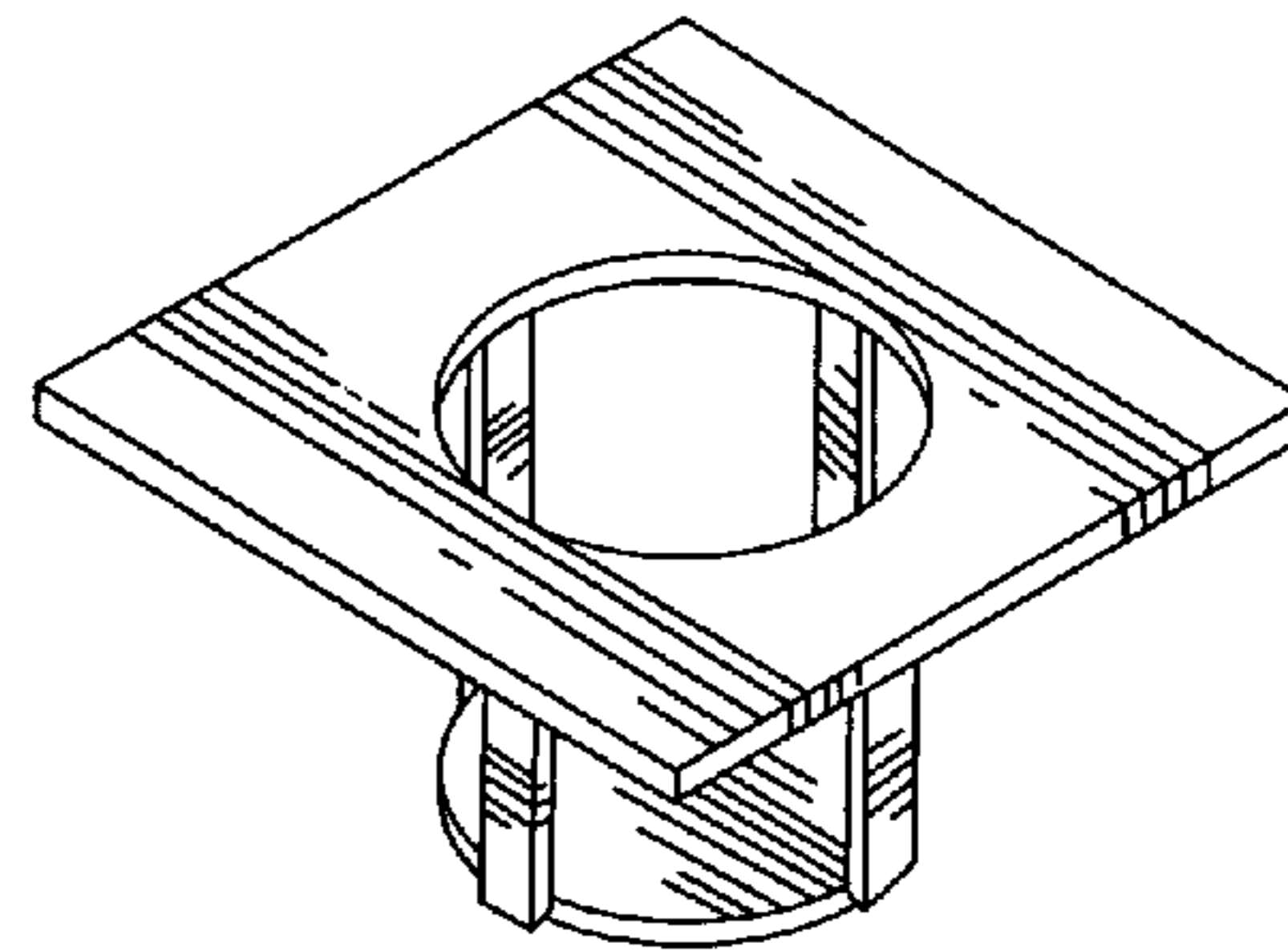


Fig. 2

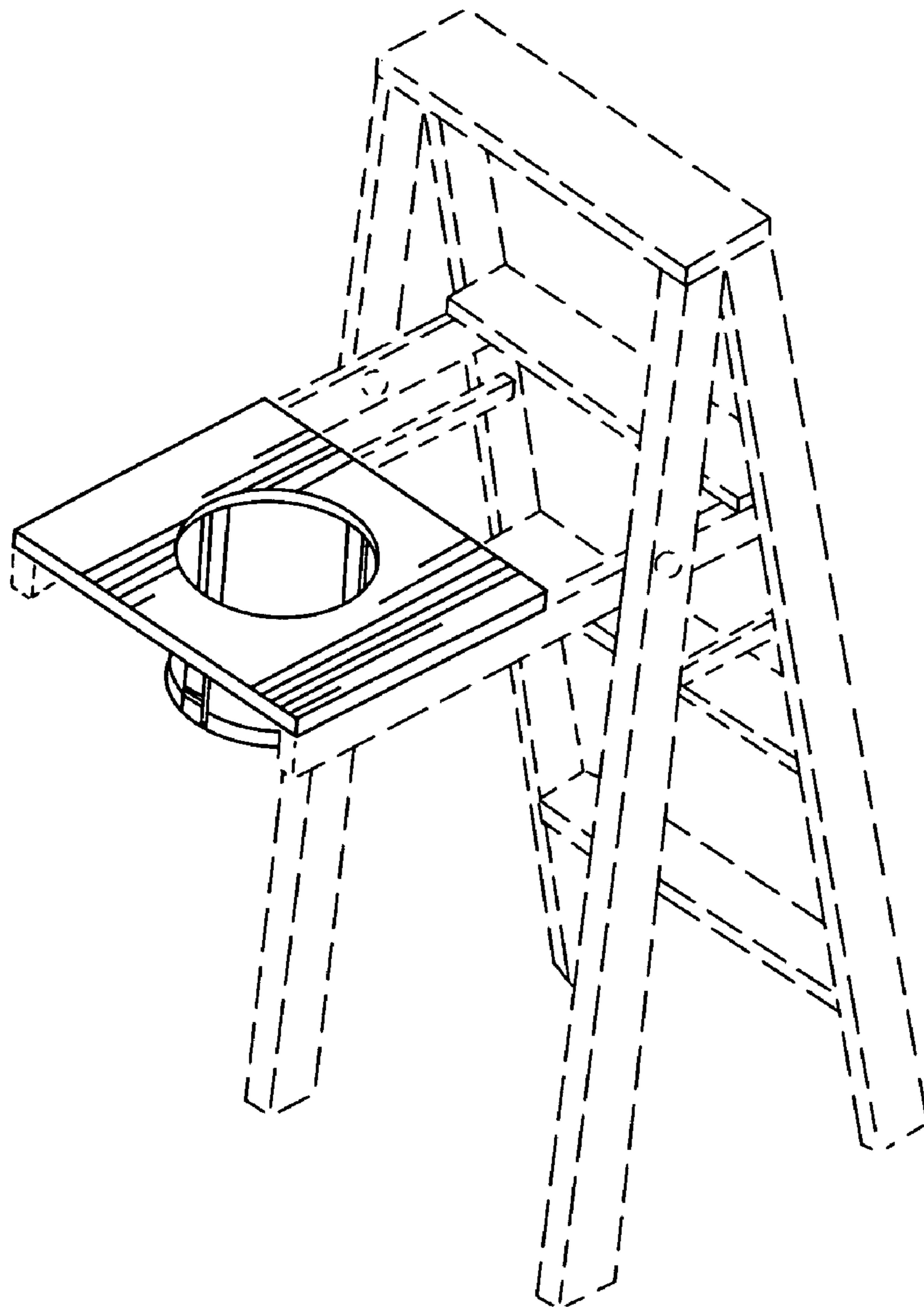


Fig. 4