



US00D552256S

(12) **United States Design Patent**
Thurston

(10) **Patent No.:** **US D552,256 S**

(45) **Date of Patent:** **** Oct. 2, 2007**

(54) **SCAFFOLD CLAMP**

Primary Examiner—Doris Clark

(76) Inventor: **Glenn Thurston**, 3934 204a Street,
Langley, British Columbia (CA) V3A
6A8

(57) **CLAIM**

I claim the ornamental design for a scaffold clamp, as shown.

(**) Term: **14 Years**

(21) Appl. No.: **29/244,645**

DESCRIPTION

(22) Filed: **Dec. 13, 2005**

FIG. 1 is a front, right side, and bottom perspective view of a scaffold clamp;

(30) **Foreign Application Priority Data**

Sep. 16, 2005 (CA) 112682

FIG. 2 is a front elevation view thereof;

FIG. 3 is a rear elevation view thereof;

(51) **LOC (8) Cl.** **25-04**

(52) **U.S. Cl.** **D25/68**

(58) **Field of Classification Search** D25/66,
D25/68, 69; 248/229.1; 182/230, 226

FIG. 4 is a right side elevation view thereof;

FIG. 5 is a left side elevation view thereof;

FIG. 6 is a top plan view thereof;

See application file for complete search history.

FIG. 7 is a bottom plan view thereof;

FIG. 8 is a front, right side, and bottom perspective view of a second embodiment of a scaffold clamp; and,

FIG. 9 is a front, right side, and bottom perspective view of the scaffold clamp.

(56) **References Cited**

U.S. PATENT DOCUMENTS

3,396,815 A * 8/1968 Gleockler 182/17

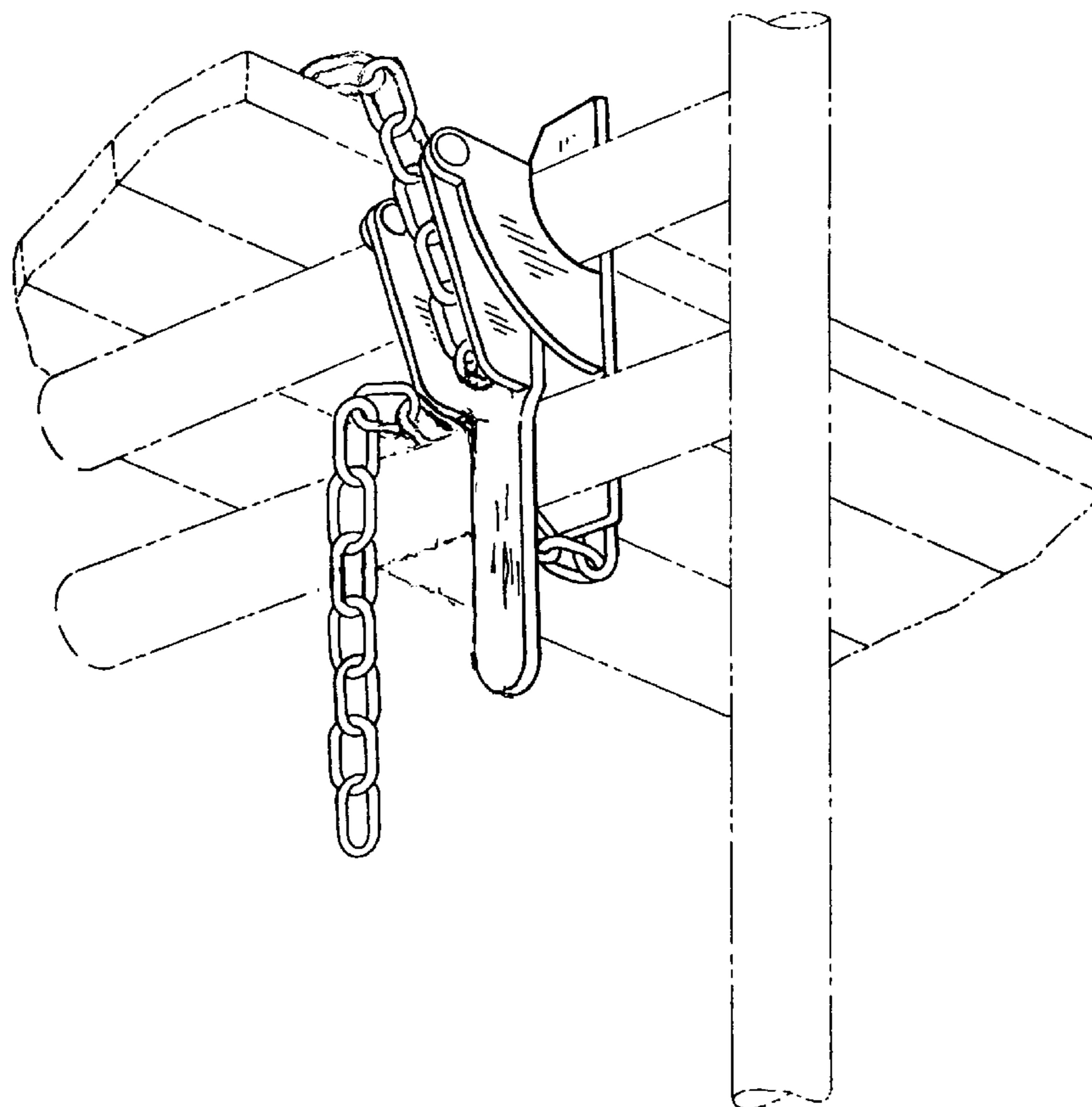
5,878,840 A * 3/1999 Tessum et al. 182/229

D459,483 S * 6/2002 Roy D25/68

The broken lines are for illustrative purposes only and form no part of the claimed design.

* cited by examiner

1 Claim, 6 Drawing Sheets



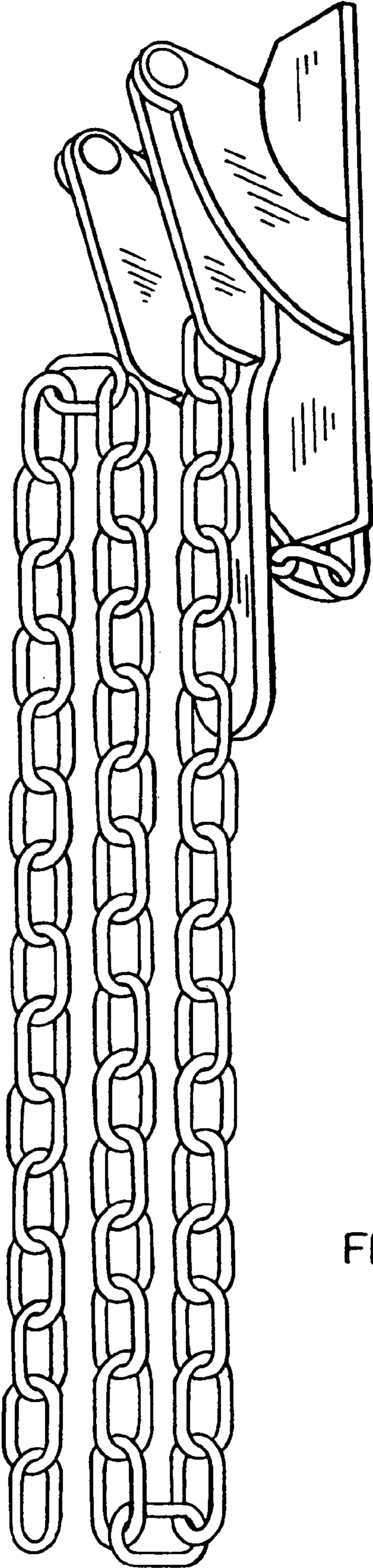
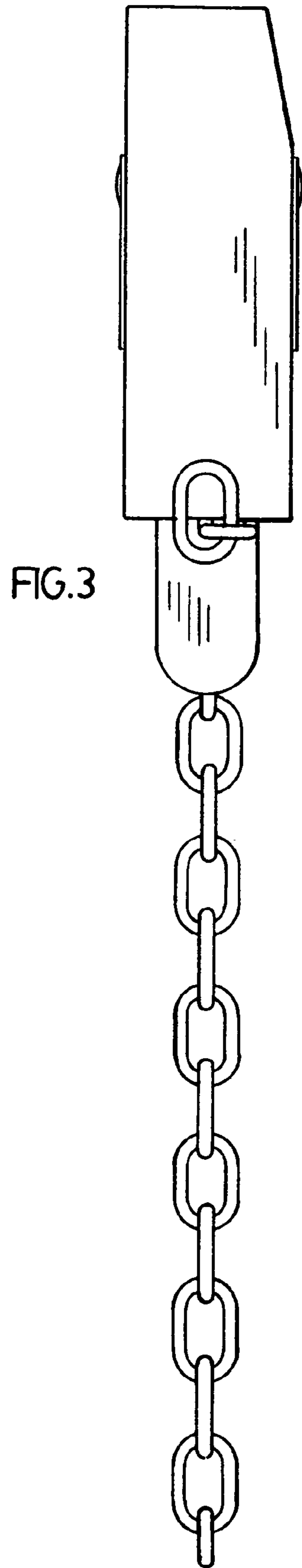
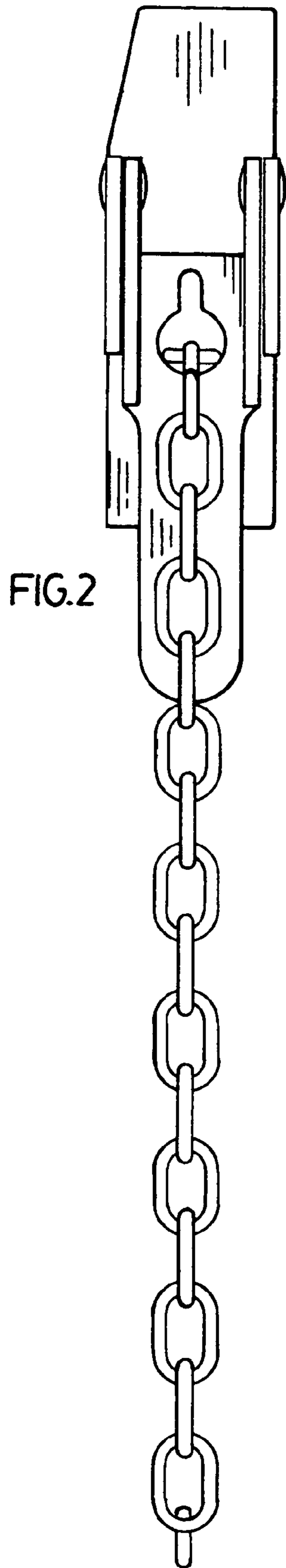
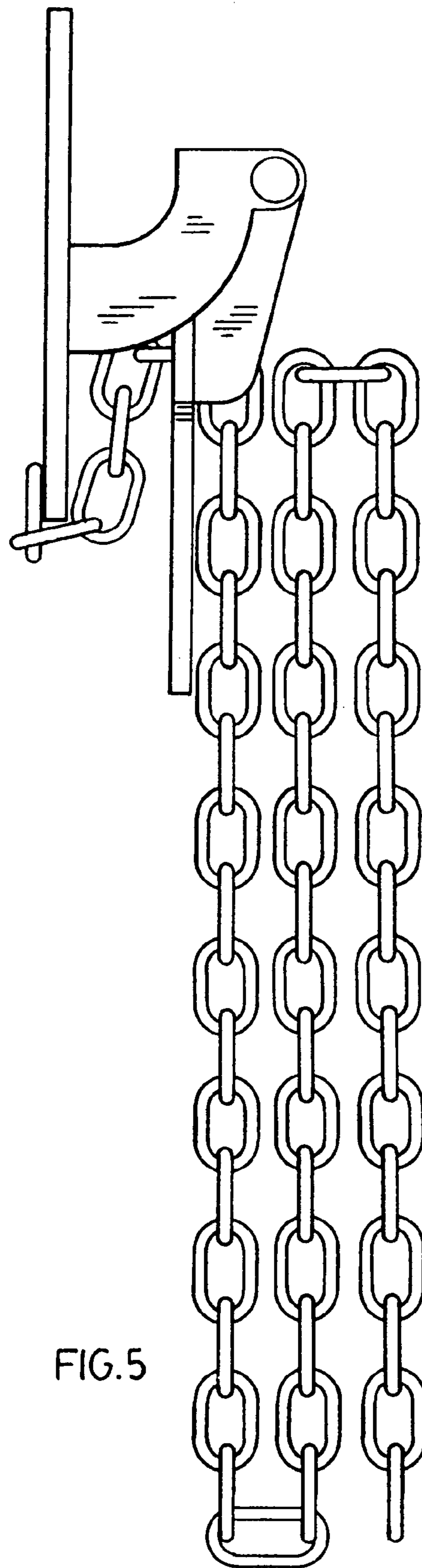
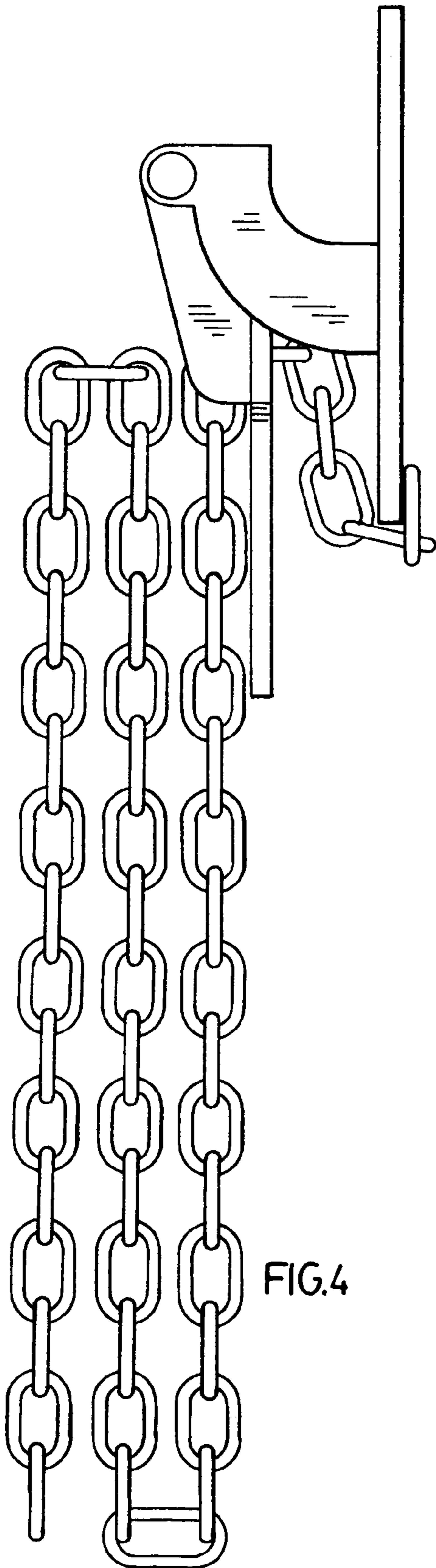


FIG.1





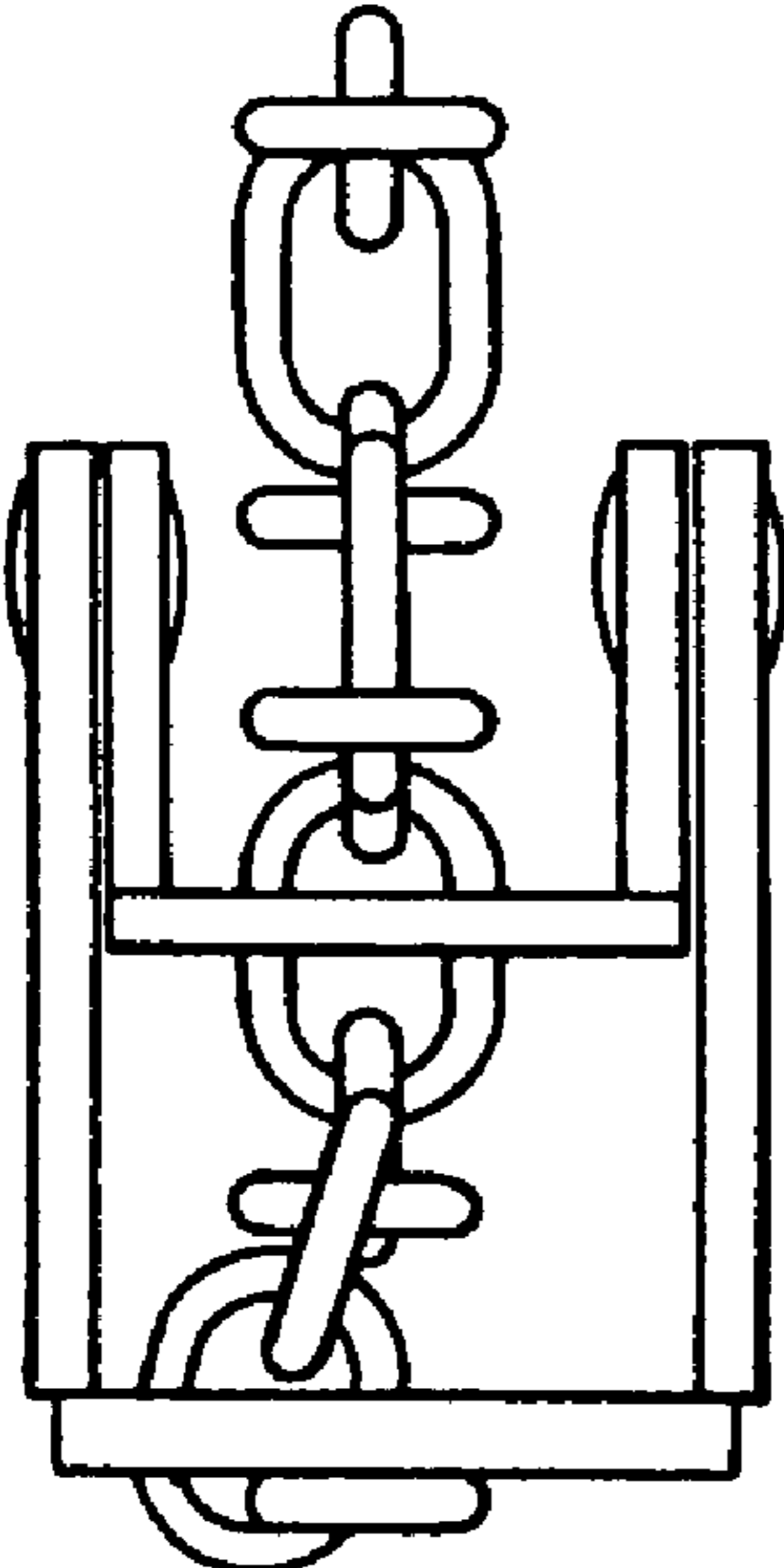


FIG. 6

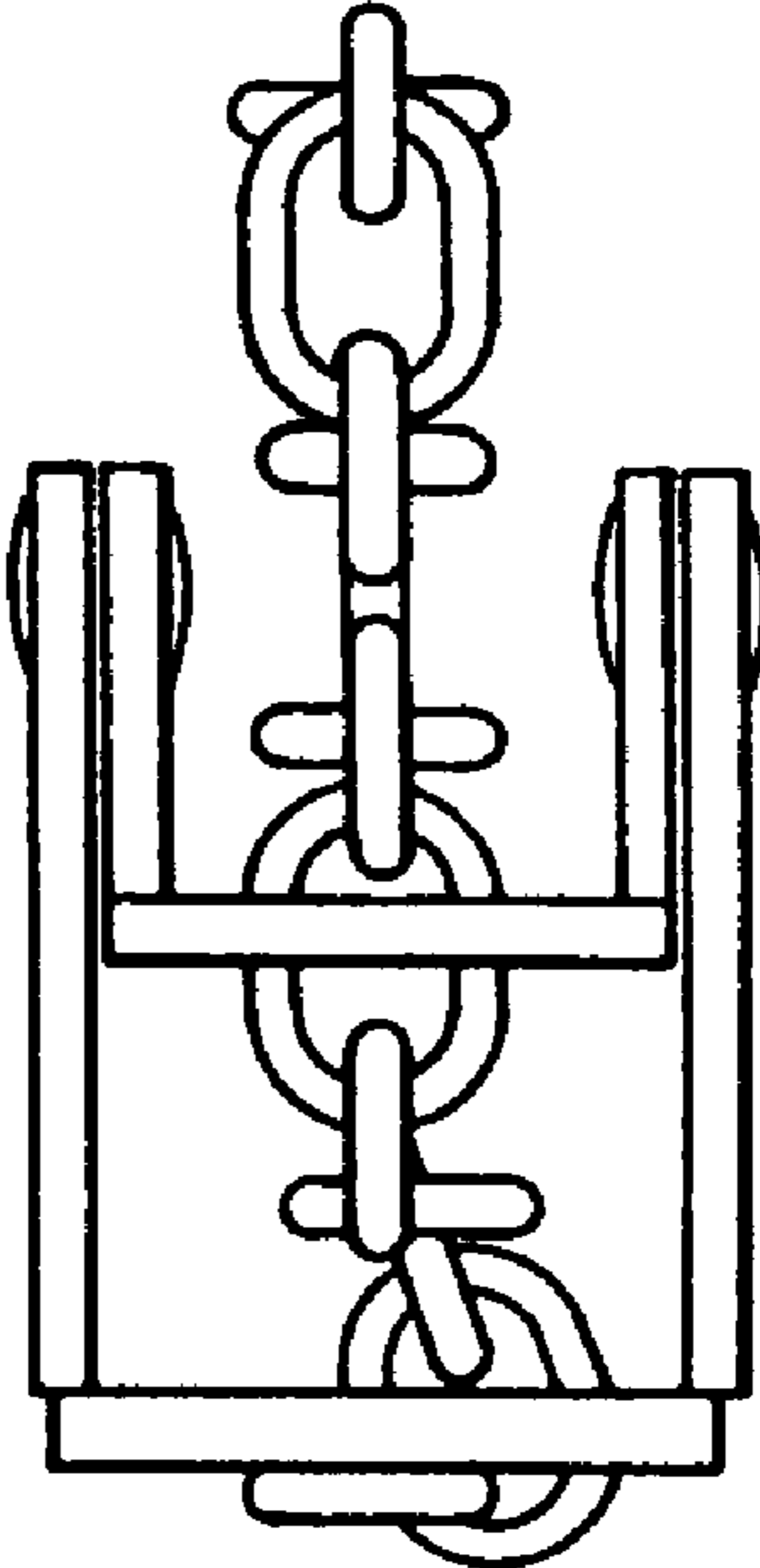


FIG. 7

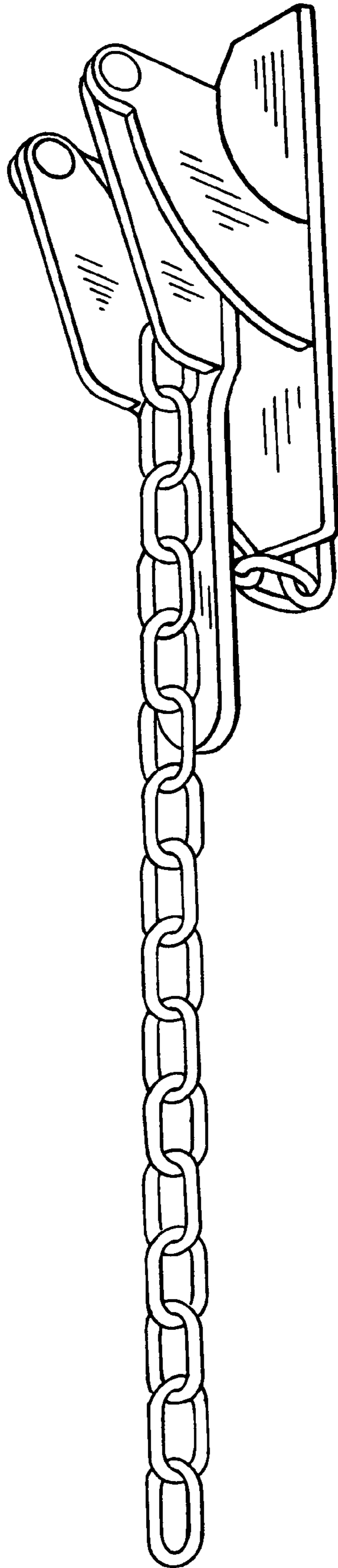


FIG. 8

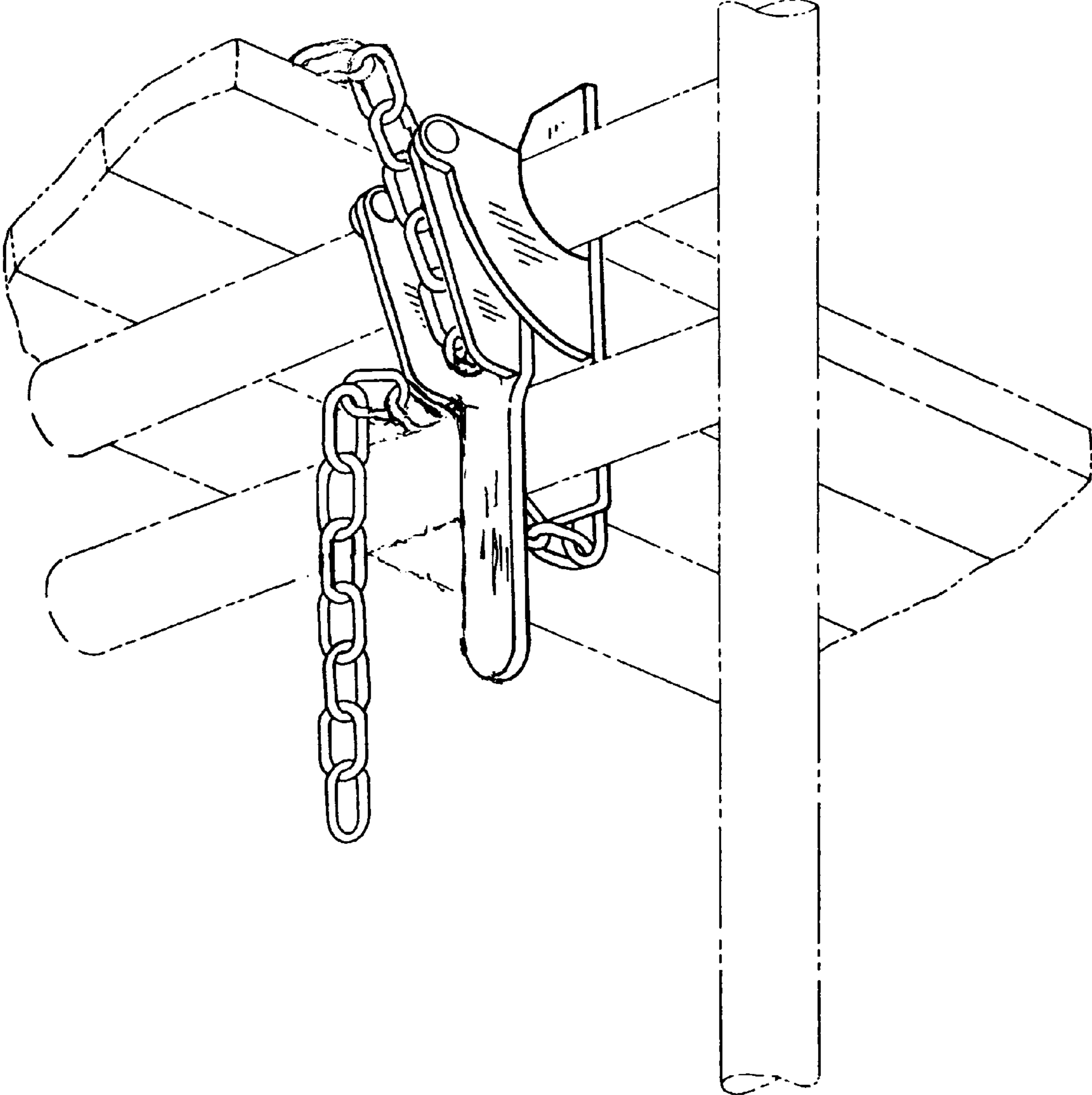


FIG. 9