



US00D552250S

(12) **United States Design Patent** (10) **Patent No.:** **US D552,250 S**
Christensen et al. (45) **Date of Patent:** **** Oct. 2, 2007**

(54) **INTERLOCKING BARRIER**

(75) Inventors: **Marc E. Christensen**, Salt Lake City, UT (US); **Eric M. Simon**, Salt Lake City, UT (US); **William Snook**, West Chester, PA (US)

(73) Assignee: **Off the Wall Products, LLC**, Salt Lake City, UT (US)

(**) Term: **14 Years**

(21) Appl. No.: **29/228,608**

(22) Filed: **Apr. 25, 2005**

(51) **LOC (8) Cl.** **25-02**

(52) **U.S. Cl.** **D25/38**

(58) **Field of Classification Search** D25/38;
404/6; 256/13.1

See application file for complete search history.

(56) **References Cited**

U.S. PATENT DOCUMENTS

4,681,302 A	7/1987	Thompson	
5,123,773 A	6/1992	Yodock	
5,452,963 A	9/1995	Christensen	
5,498,101 A *	3/1996	Braverman	404/6
5,531,540 A	7/1996	Wasserstrom et al.	
5,611,641 A	3/1997	Christensen	
5,639,179 A	6/1997	Jensen	
5,836,714 A	11/1998	Christensen	
5,882,140 A	3/1999	Yodock, Jr. et al.	

6,059,491 A *	5/2000	Striefel et al.	405/111
6,086,285 A	7/2000	Christensen	
D462,126 S *	8/2002	Englund	D25/38
6,666,616 B2	12/2003	Yodock, III et al.	
6,843,614 B2	1/2005	Yodock, Jr. et al.	

* cited by examiner

Primary Examiner—Doris Clark

(74) *Attorney, Agent, or Firm*—Workman Nydegger

(57) **CLAIM**

The ornamental design for the interlocking barrier, as shown and described.

DESCRIPTION

FIG. 1 is a back perspective view of the inventive interlocking barrier;

FIG. 2 is an elevated back view of the interlocking barrier shown in FIG. 1

FIG. 3 is a top plan view of the interlocking barrier shown in FIG. 1;

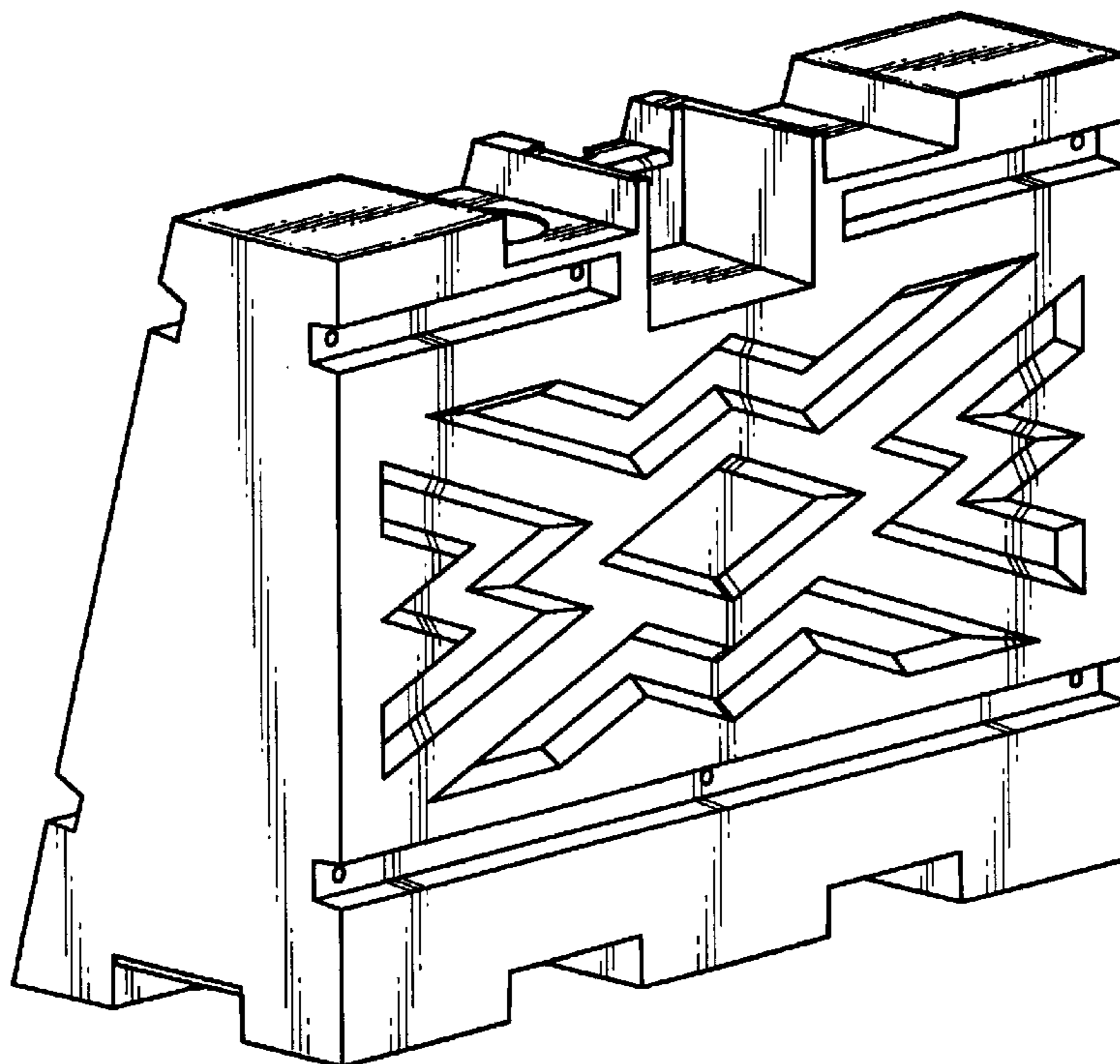
FIG. 4 is a front view of the interlocking barrier shown in FIG. 1 viewed normal to the front face of the interlocking barrier;

FIG. 5 is a bottom plan view of the interlocking barrier shown in FIG. 1;

FIG. 6 is an elevated left side view of the interlocking barrier shown in FIG. 1; and,

FIG. 7 is an elevated right side view of the interlocking barrier shown in FIG. 1.

1 Claim, 3 Drawing Sheets



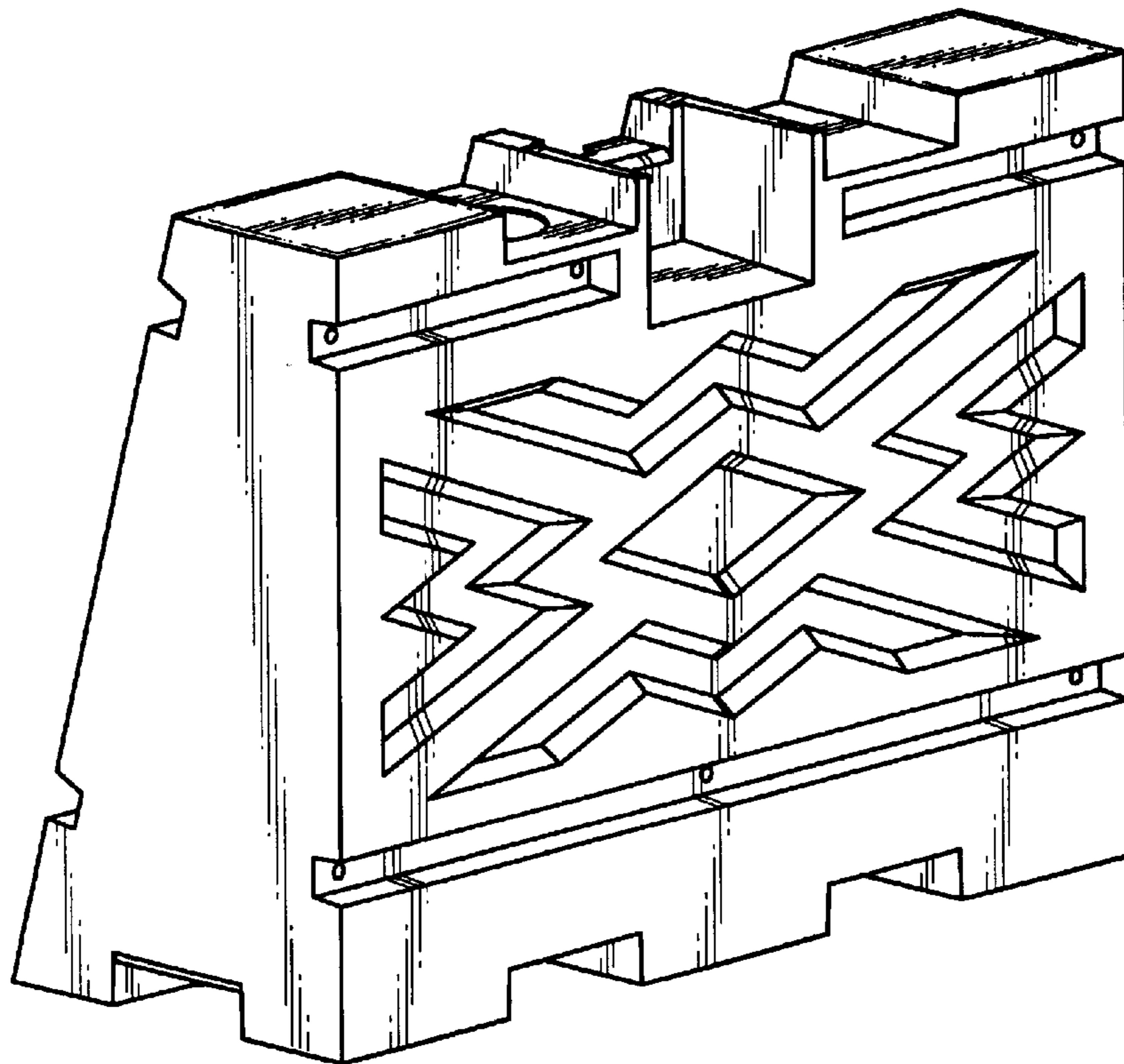


Fig. 1

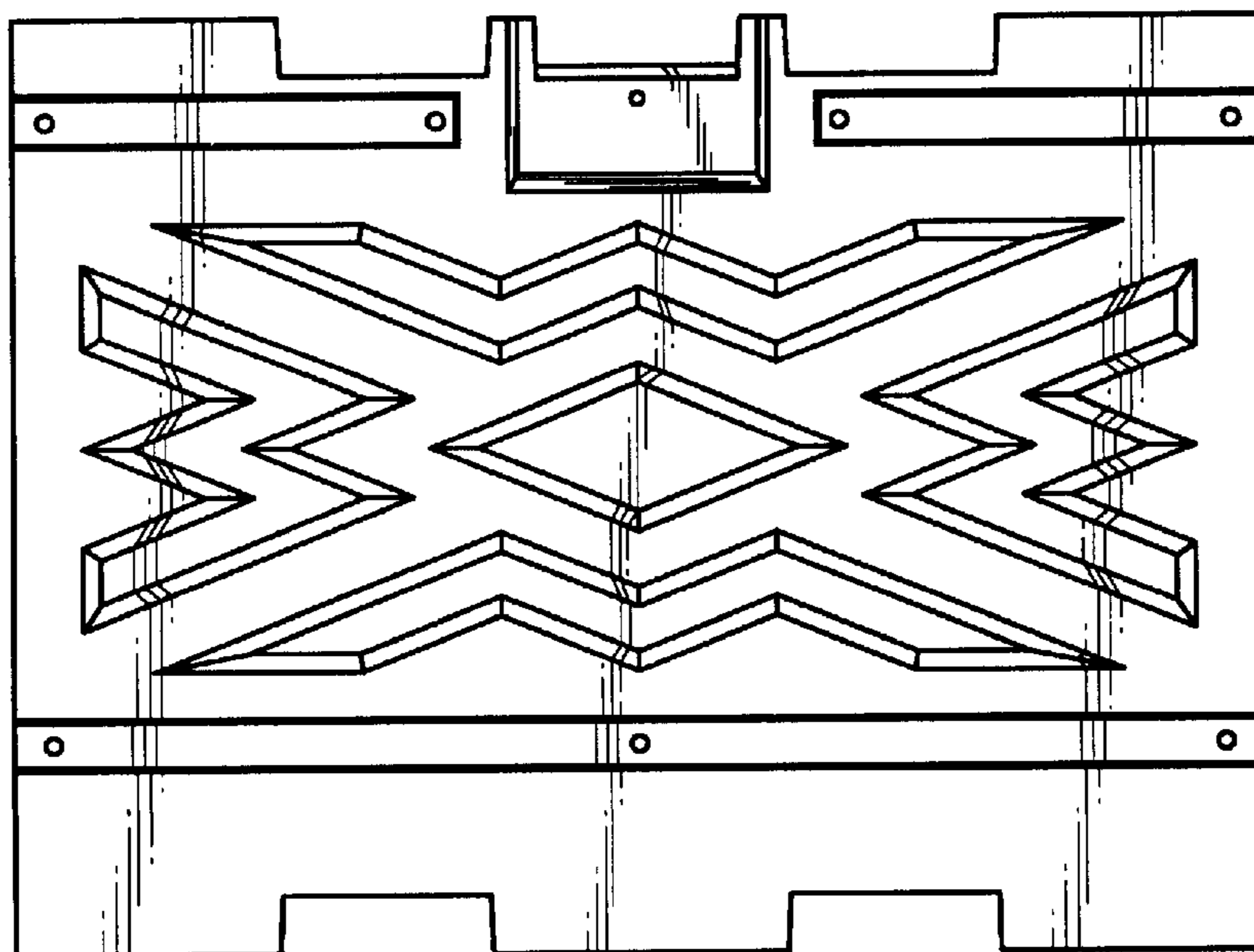


Fig. 2

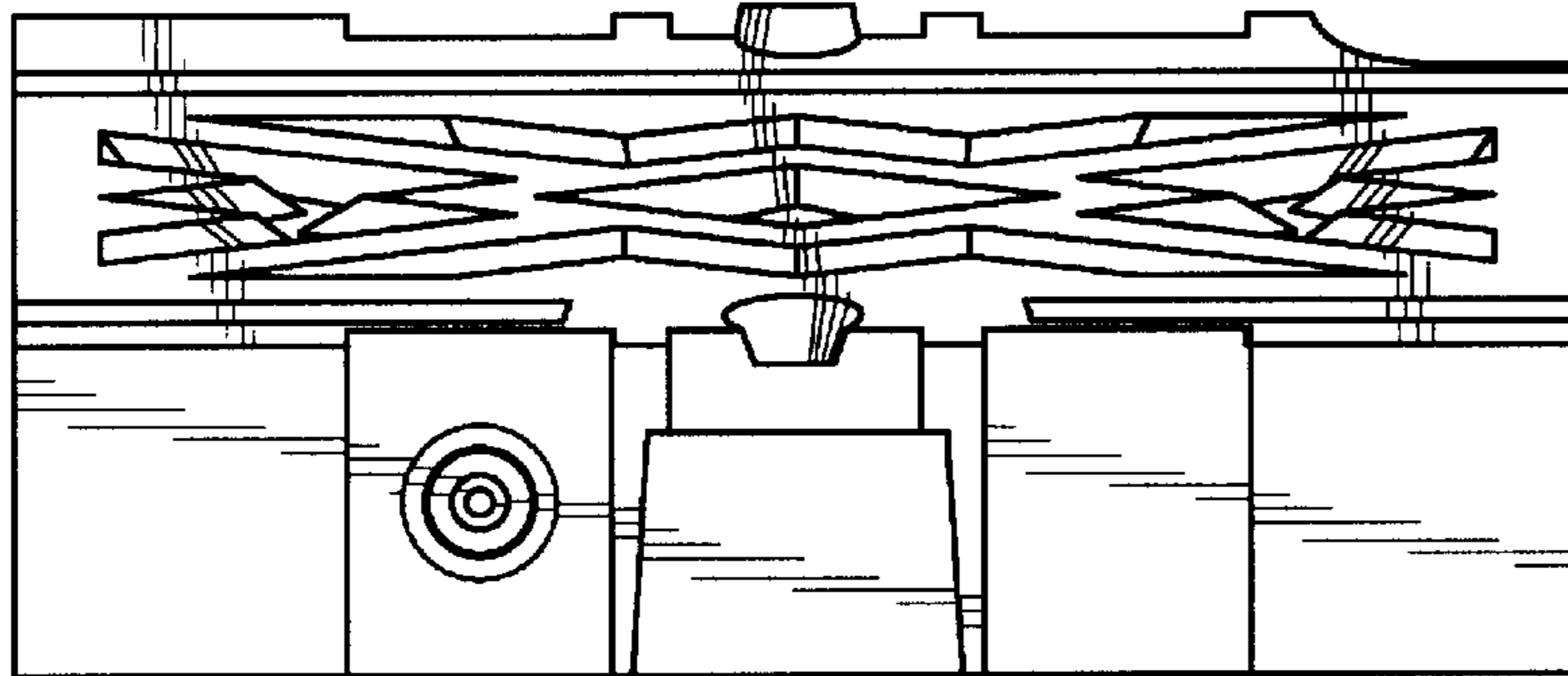


Fig. 3

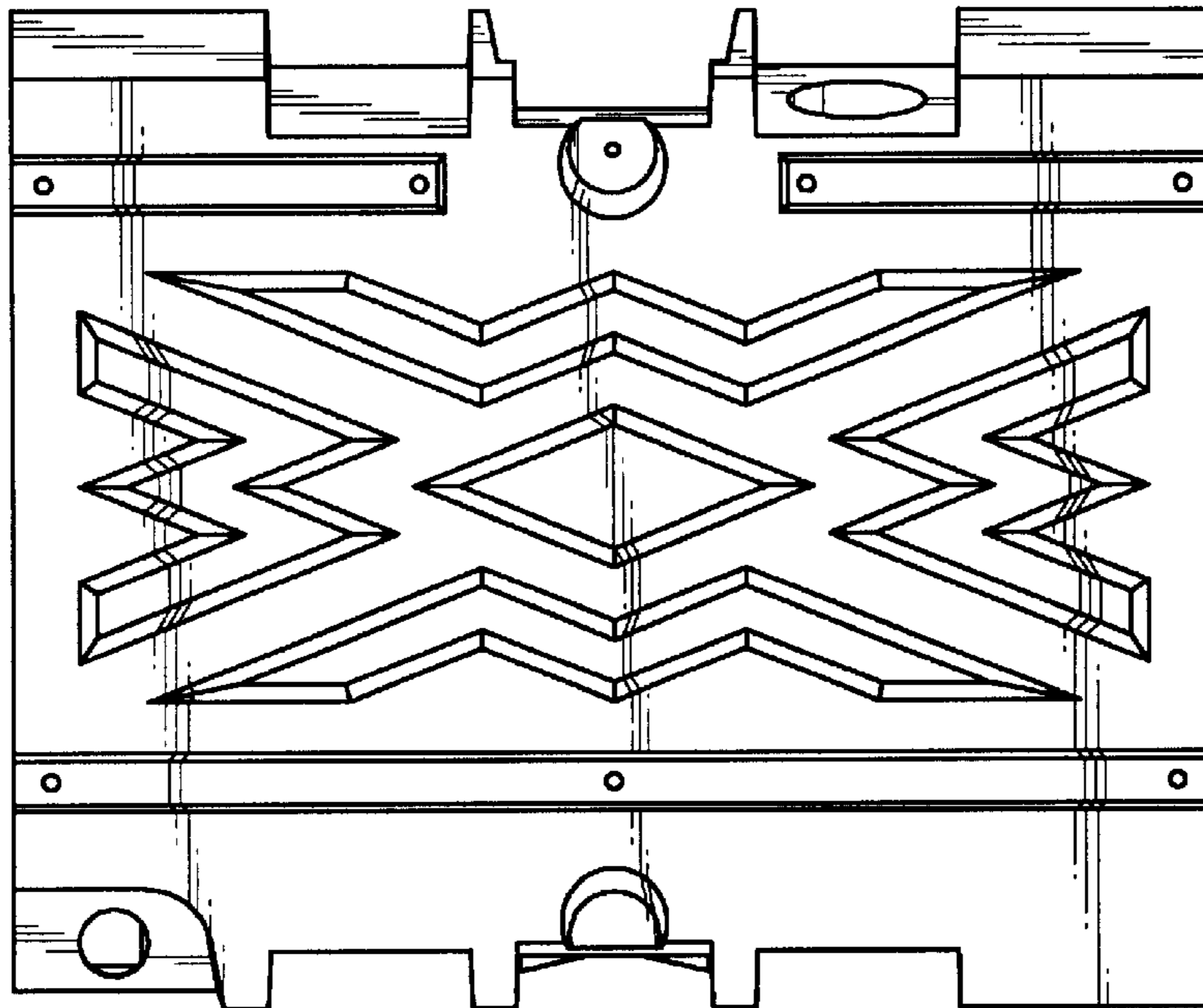


Fig. 4

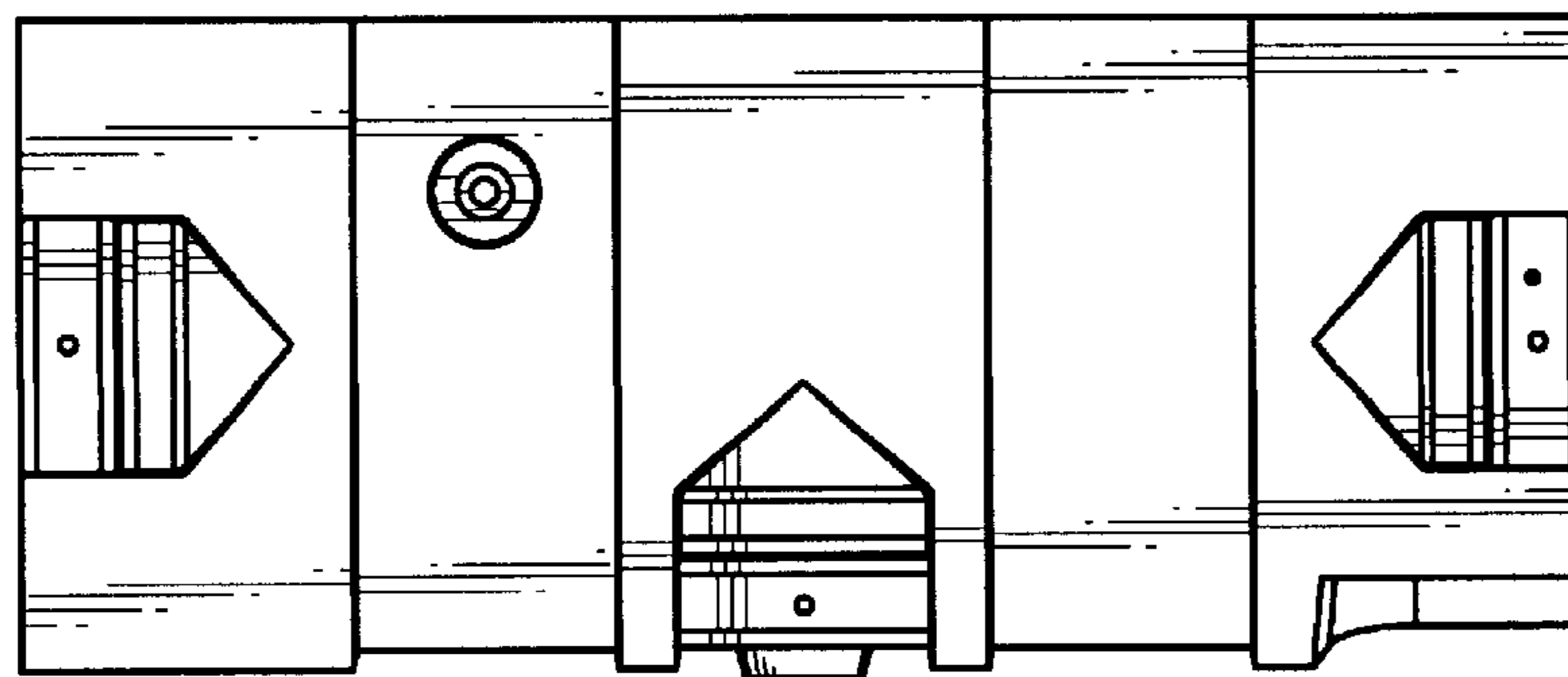


Fig. 5

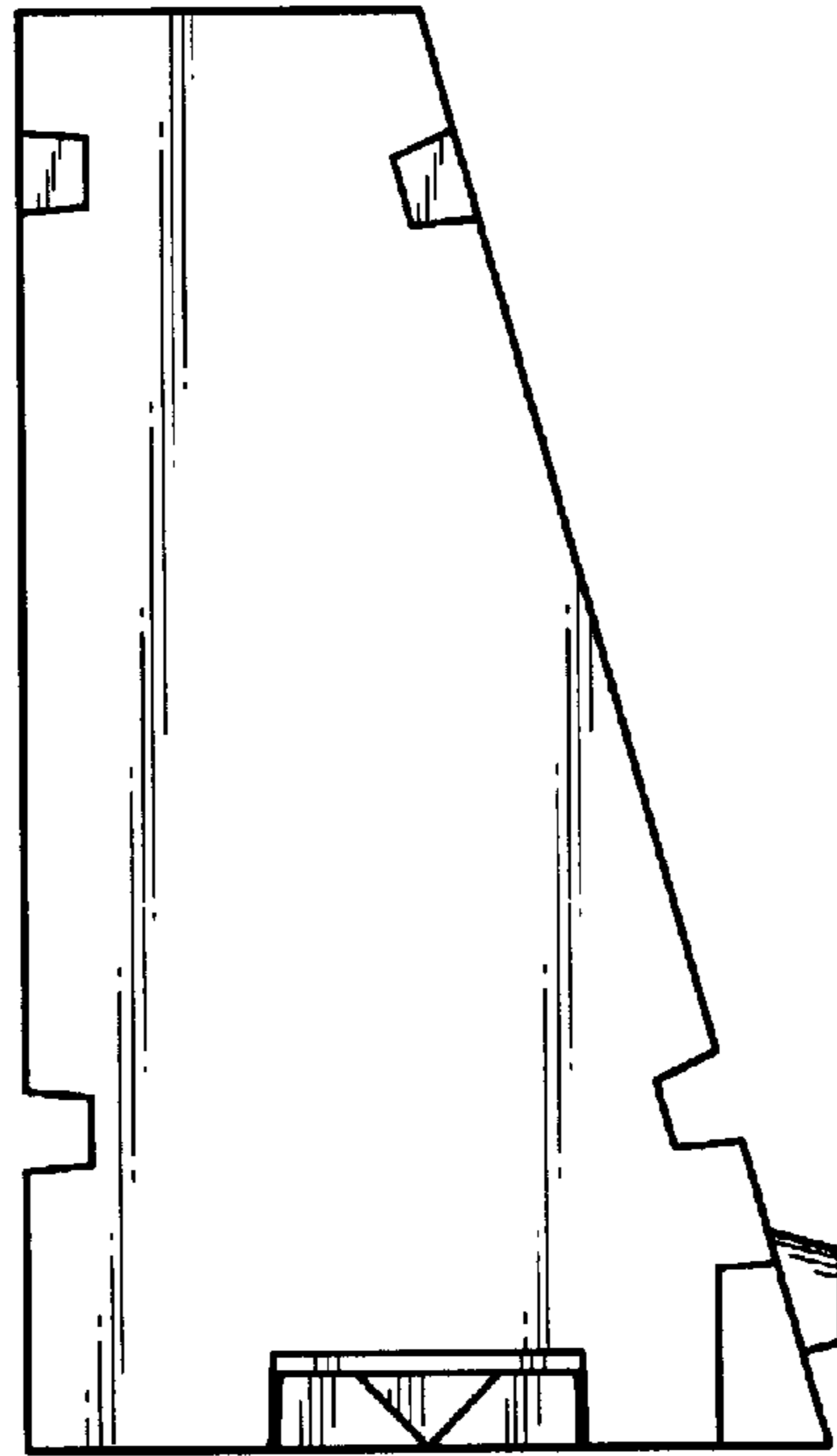


Fig. 6

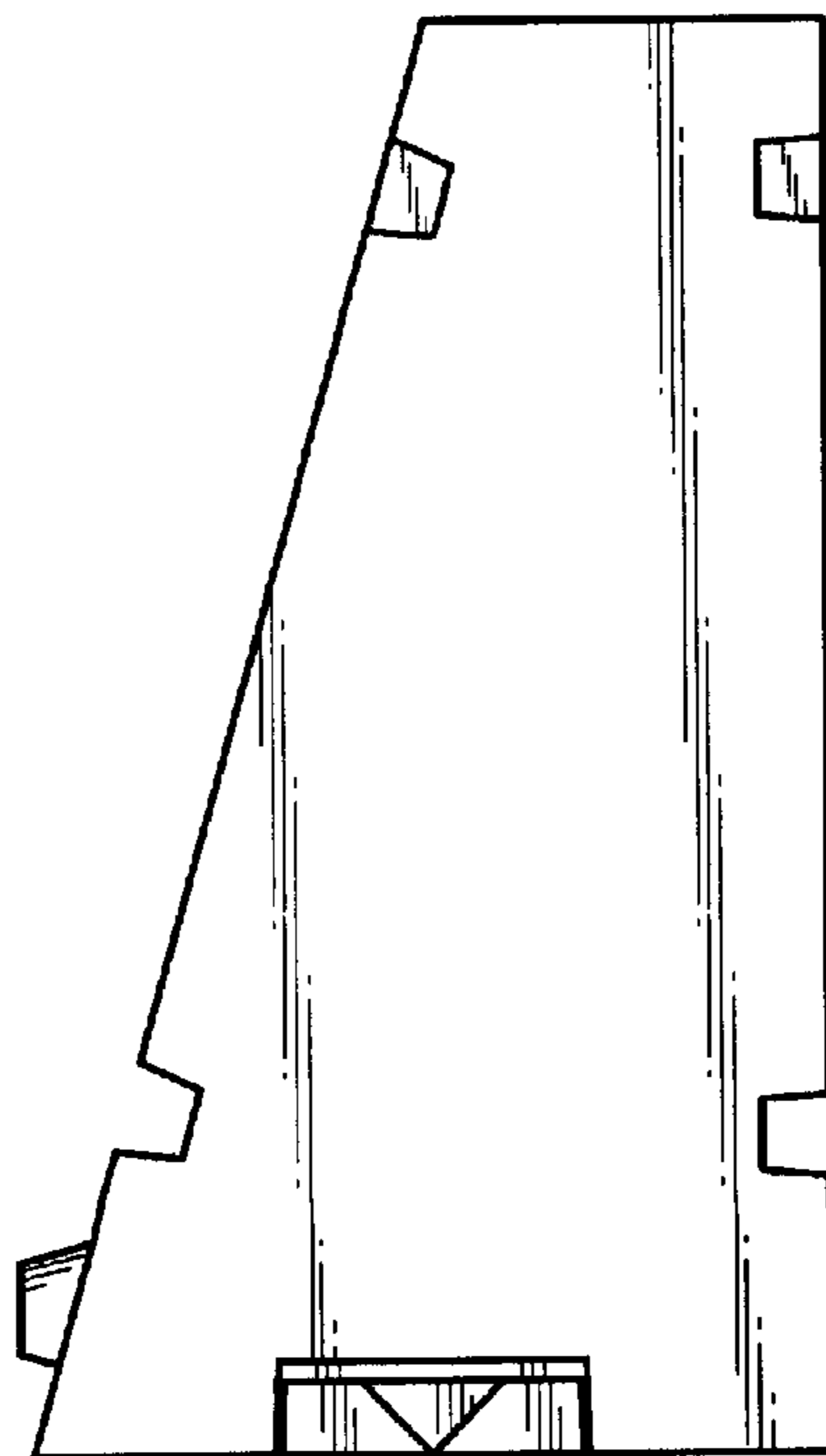


Fig. 7