



US00D552246S

(12) **United States Design Patent**  
**Juta et al.**

(10) **Patent No.:** **US D552,246 S**

(45) **Date of Patent:** **\*\* Oct. 2, 2007**

(54) **SUPPORTER FOR WRIST**

(75) Inventors: **Tetsuro Juta**, Osaka (JP); **Rikako Akita**, Osaka (JP)

(73) Assignee: **Kobayashi Pharmaceutical Co., Ltd.**, Osaka-shi (JP)

(\*\*) Term: **14 Years**

(21) Appl. No.: **29/234,836**

(22) Filed: **Jul. 25, 2005**

(51) **LOC (8) Cl.** ..... **24-01**

(52) **U.S. Cl.** ..... **D24/190**

(58) **Field of Classification Search** ..... D24/190-2;  
602/4-6, 20, 27, 61-2, 79; 128/865-6, 878,  
128/876; 604/20-21; 24/442; D29/113;  
473/62; D6/601

See application file for complete search history.

(56) **References Cited**

**U.S. PATENT DOCUMENTS**

3,871,029	A *	3/1975	Hollman	.....	2/161.1
4,531,241	A *	7/1985	Berger	.....	2/161.2
D294,736	S *	3/1988	Thygesen	.....	D24/189
5,267,943	A *	12/1993	Dancyger	.....	602/5
D387,886	S *	12/1997	Smith et al.	.....	D2/610
5,810,753	A *	9/1998	Eberbach	.....	602/21
6,200,286	B1 *	3/2001	Zamani	.....	602/64

\* cited by examiner

*Primary Examiner*—Louis S. Zarfes

*Assistant Examiner*—Susan E Krakower

(74) *Attorney, Agent, or Firm*—Antonelli, Terry, Stout & Kraus, LLP.

(57) **CLAIM**

We claim the ornamental design for supporter for wrist, as shown and described.

**DESCRIPTION**

FIG. 1 is a perspective view of our new design of supporter for wrist;

FIG. 2 is a front view thereof;

FIG. 3 is a rear view thereof;

FIG. 4 is a plan view thereof;

FIG. 5 is a bottom view thereof;

FIG. 6 is a right side view thereof, the left side view being a mirror image thereof; and,

FIG. 7 is an explanatory drawing thereof.

The broken line showing of a hand and chemical warmer in FIG. 7 is included for the purpose of illustrating environmental structure and forms no part of the claimed design.

**1 Claim, 4 Drawing Sheets**

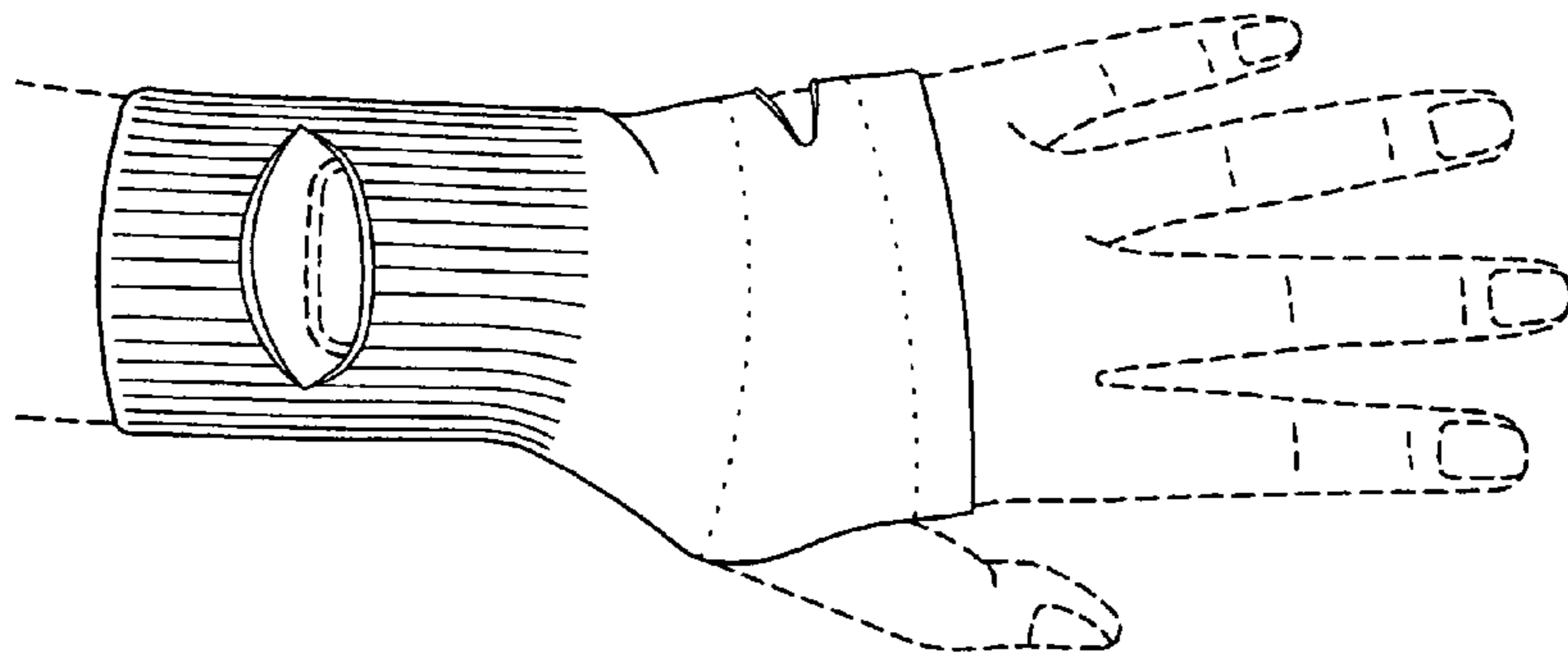
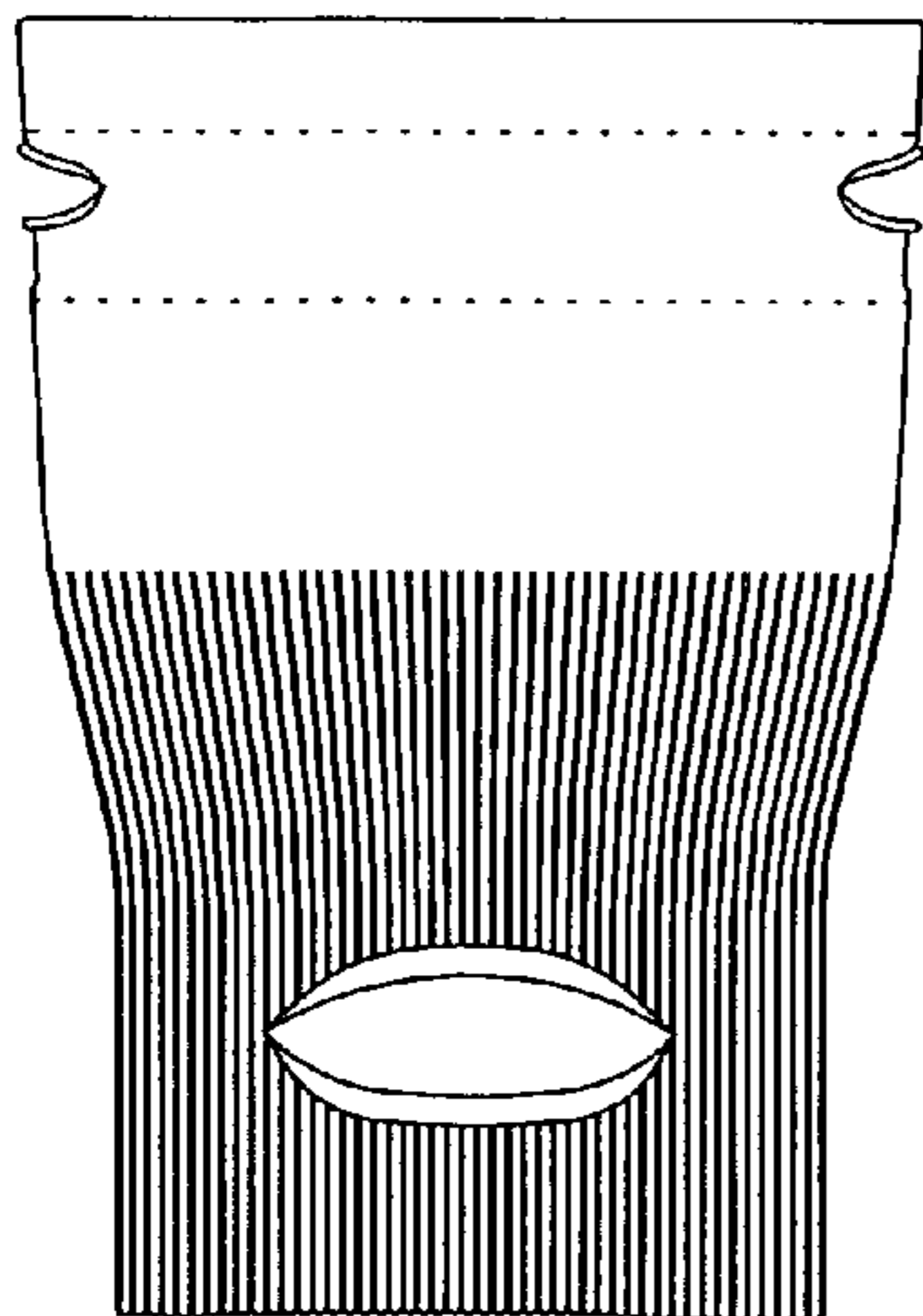


FIG. 1

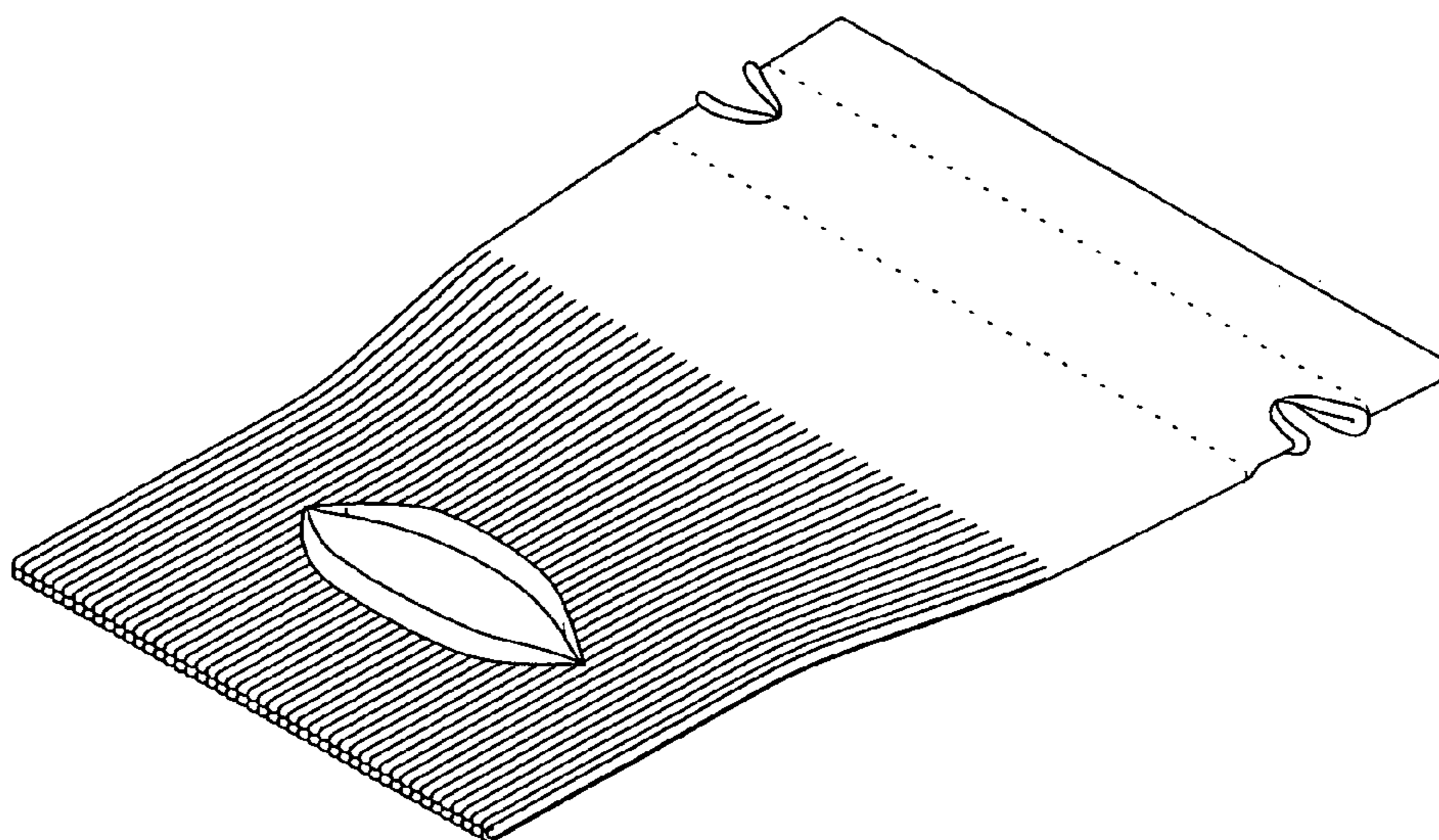


FIG. 2

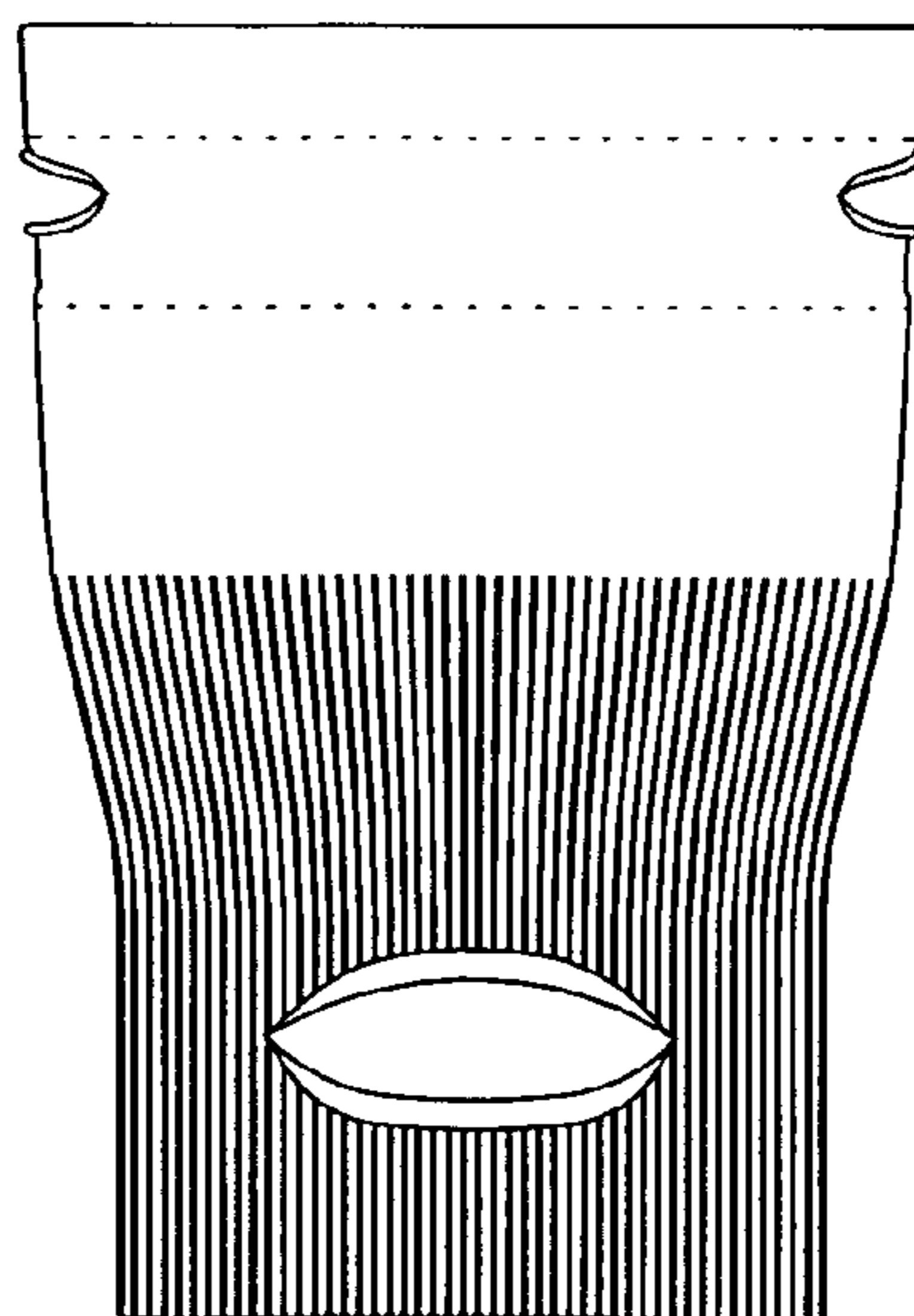


FIG. 3

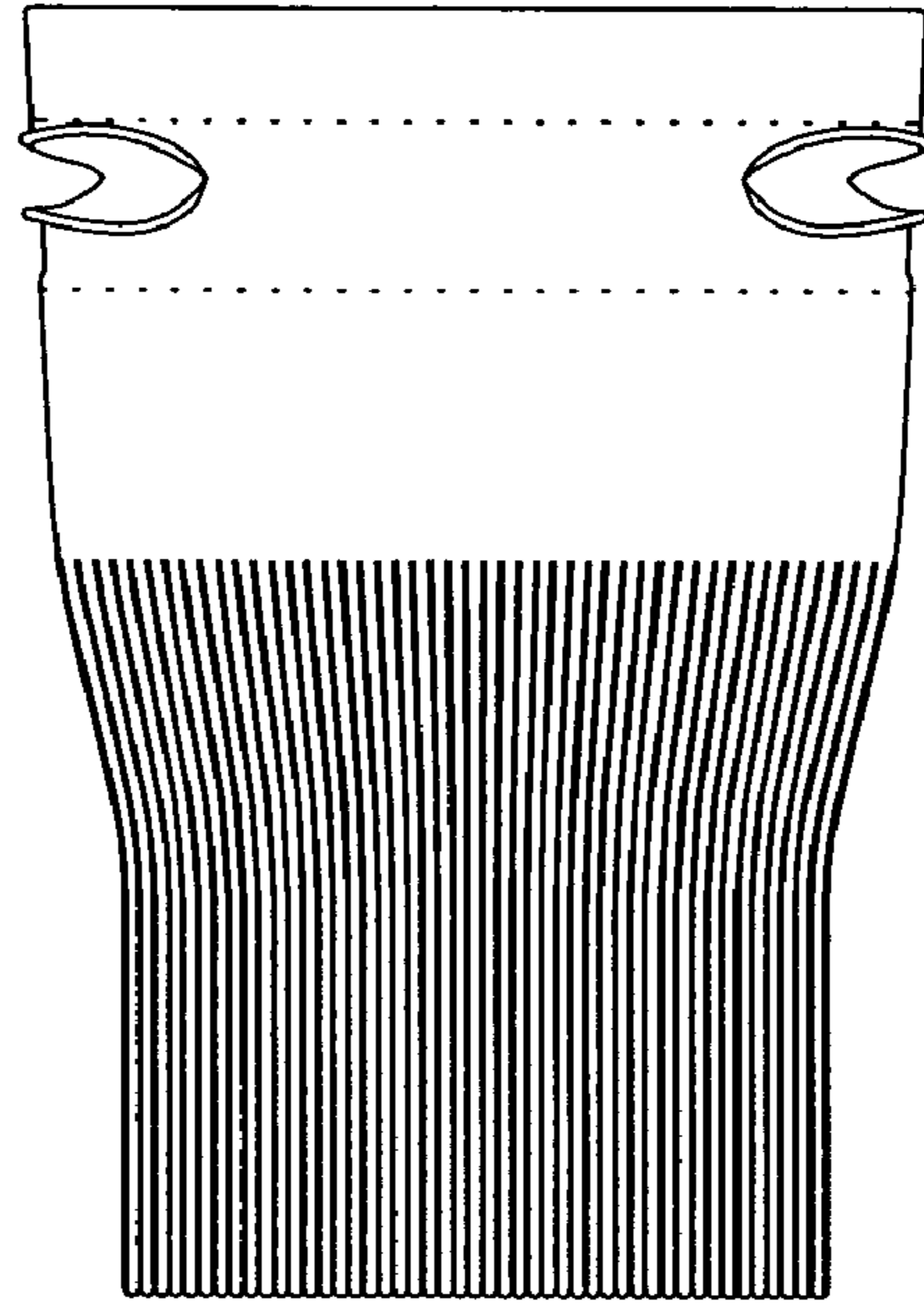


FIG. 4



FIG. 5

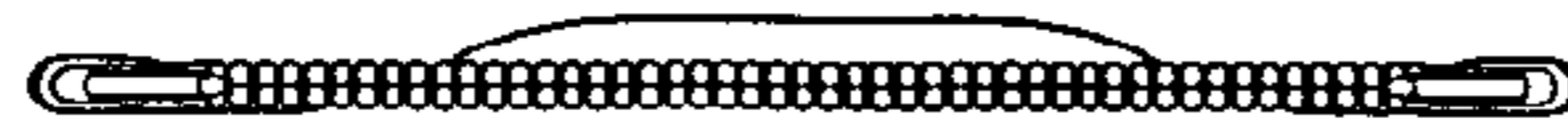


FIG. 6



FIG. 7

