



US00D552242S

(12) **United States Design Patent**
Gutekunst

(10) **Patent No.:** **US D552,242 S**
(45) **Date of Patent:** **** Oct. 2, 2007**

(54) **OPHTHALMIC DIGITAL ACUITY CHART SYSTEM**

(75) Inventor: **Gregory Gutekunst**, West Falls, NY (US)

(73) Assignee: **Reichert, Inc.**, Depew, NY (US)

(**) Term: **14 Years**

(21) Appl. No.: **29/231,016**

(22) Filed: **May 31, 2005**

(51) **LOC (8) Cl.** **24-01**

(52) **U.S. Cl.** **D24/172**

(58) **Field of Classification Search** D24/172,
D24/185, 186; 351/200, 205, 209–212, 216,
351/245; 600/398–400, 402; D14/126,
D14/371, 374, 382, 388; D13/162–164
See application file for complete search history.

(56) **References Cited**

U.S. PATENT DOCUMENTS

D352,106 S	*	11/1994	Fanney et al.	D24/185
D441,080 S	*	4/2001	Herekar et al.	D24/158
D456,079 S	*	4/2002	Fujii	D24/172
D459,248 S	*	6/2002	Roelke et al.	D10/65
D477,084 S	*	7/2003	Menezes et al.	D24/172
D530,715 S	*	10/2006	Wu	D14/371

* cited by examiner

Primary Examiner—Louis S. Zarfes

Assistant Examiner—Anhdao Doan

(74) *Attorney, Agent, or Firm*—Hodgson Russ LLP

(57) **CLAIM**

The ornamental design for an ophthalmic digital acuity chart system, as shown.

DESCRIPTION

FIG. 1 is a front perspective view of an ophthalmic digital acuity chart system showing a first embodiment of my new design;

FIG. 2 is a rear perspective view thereof;

FIG. 3 is a front elevational view thereof;

FIG. 4 is a rear elevational view thereof;

FIG. 5 is a left-side elevational view thereof;

FIG. 6 is a right-side elevational view thereof;

FIG. 7 is a top plan view thereof;

FIG. 8 is a bottom plan view thereof;

FIG. 9 is a front perspective view of an ophthalmic digital acuity chart system showing a second embodiment of my new design;

FIG. 10 is a rear perspective view thereof;

FIG. 11 is a front elevational view thereof;

FIG. 12 is a rear elevational view thereof;

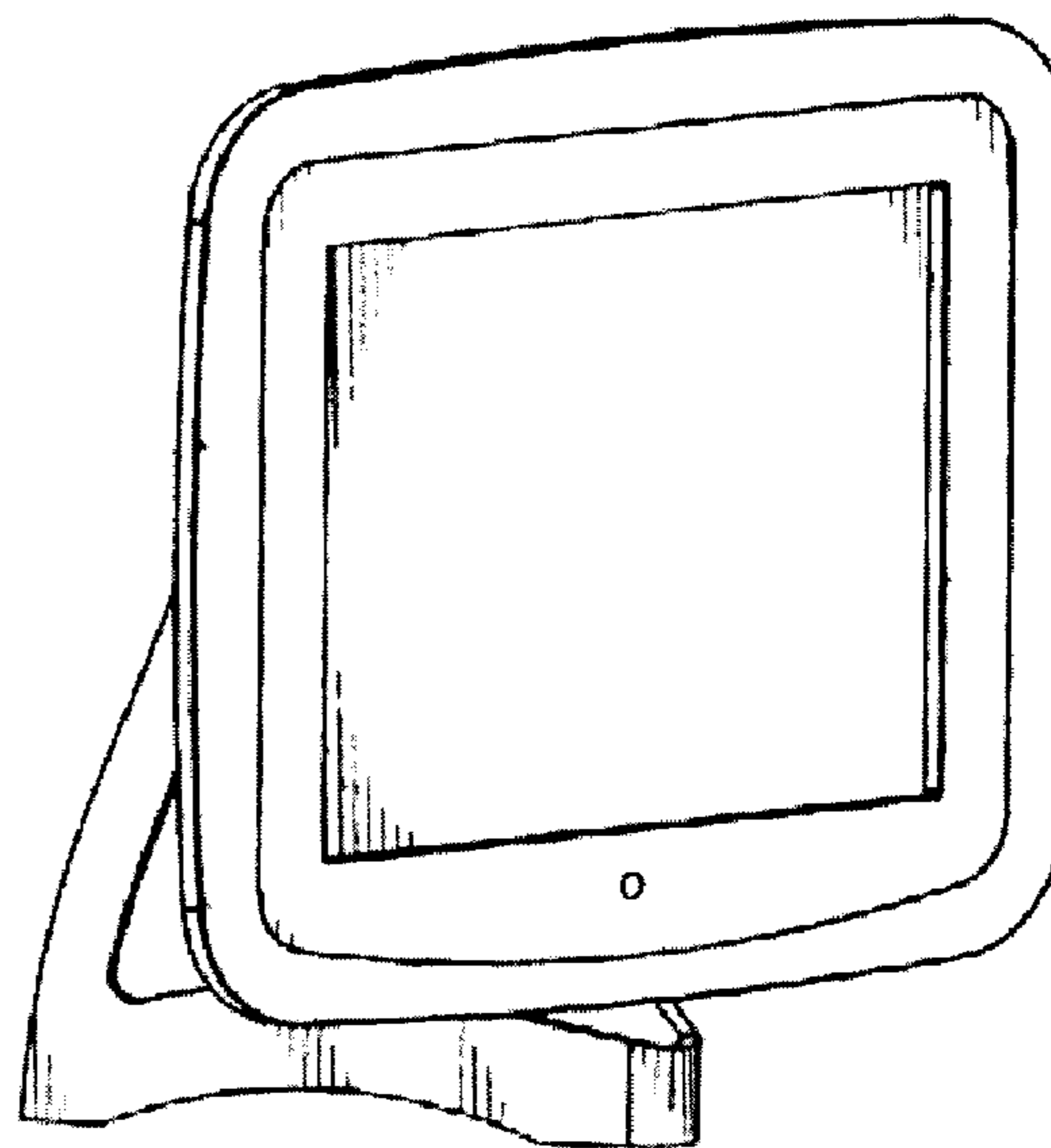
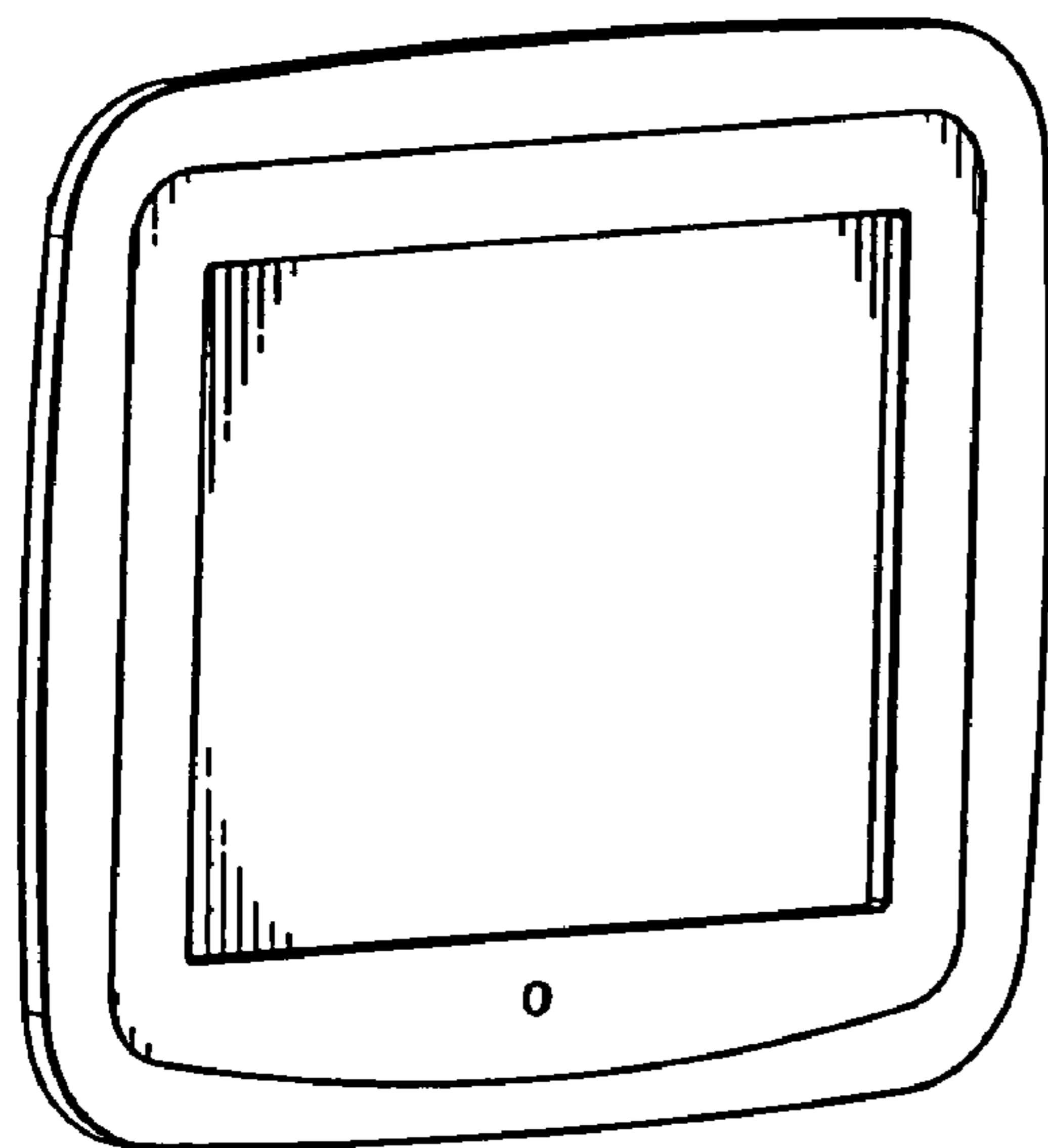
FIG. 13 is a left-side elevational view thereof;

FIG. 14 is a right-side elevational view thereof;

FIG. 15 is a top plan view thereof; and,

FIG. 16 is a bottom plan view thereof.

1 Claim, 6 Drawing Sheets



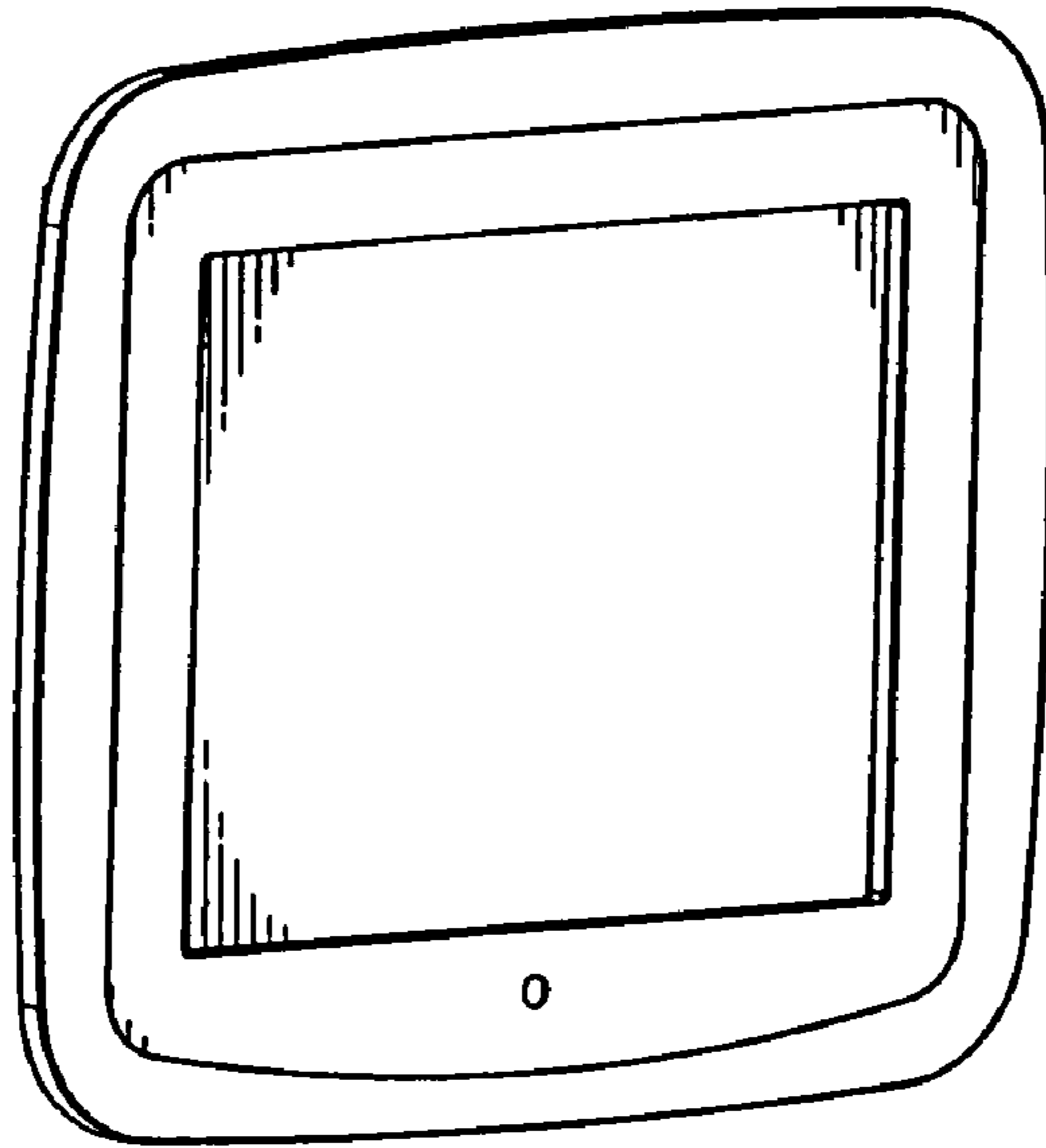


FIG. 1

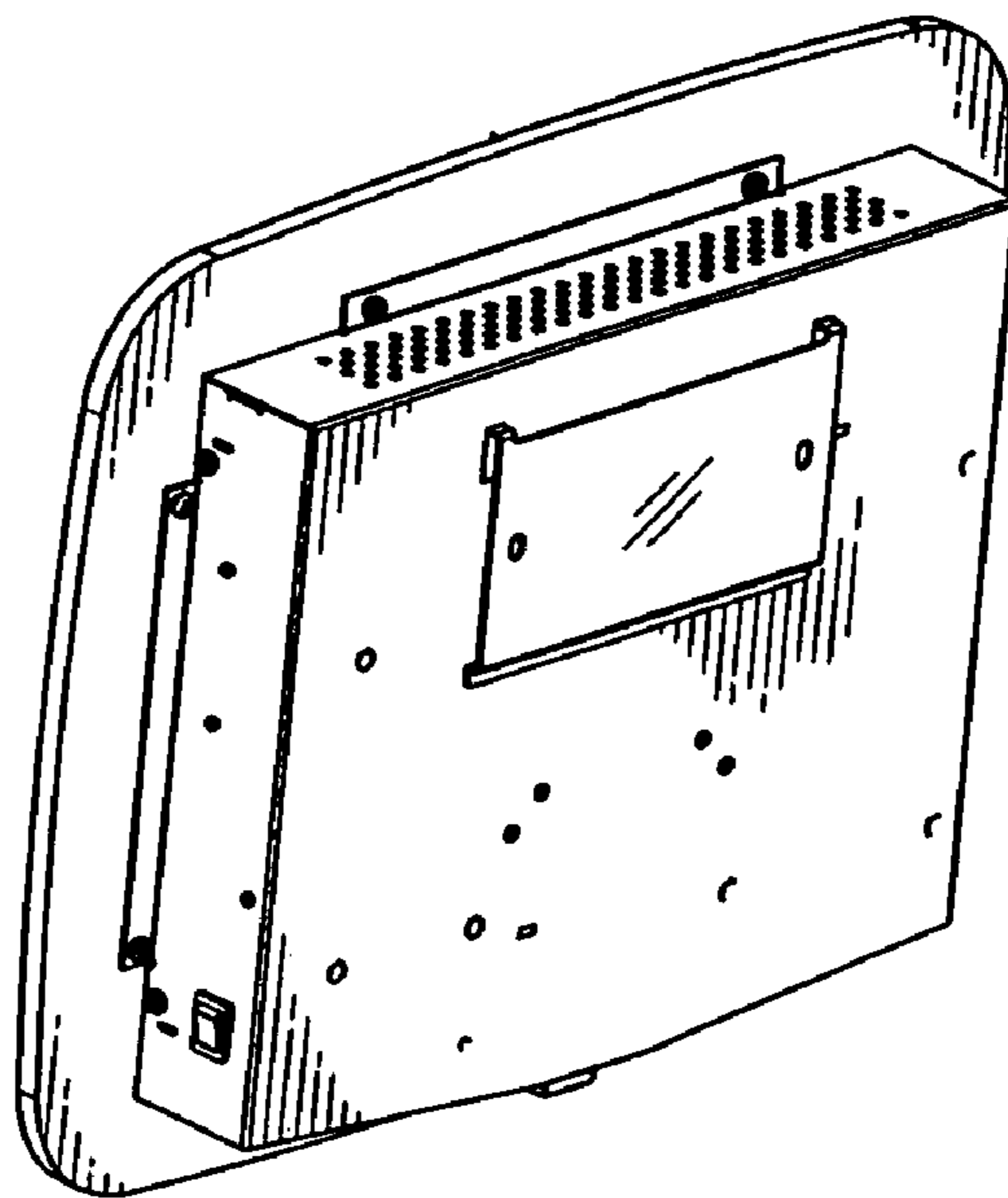


FIG. 2

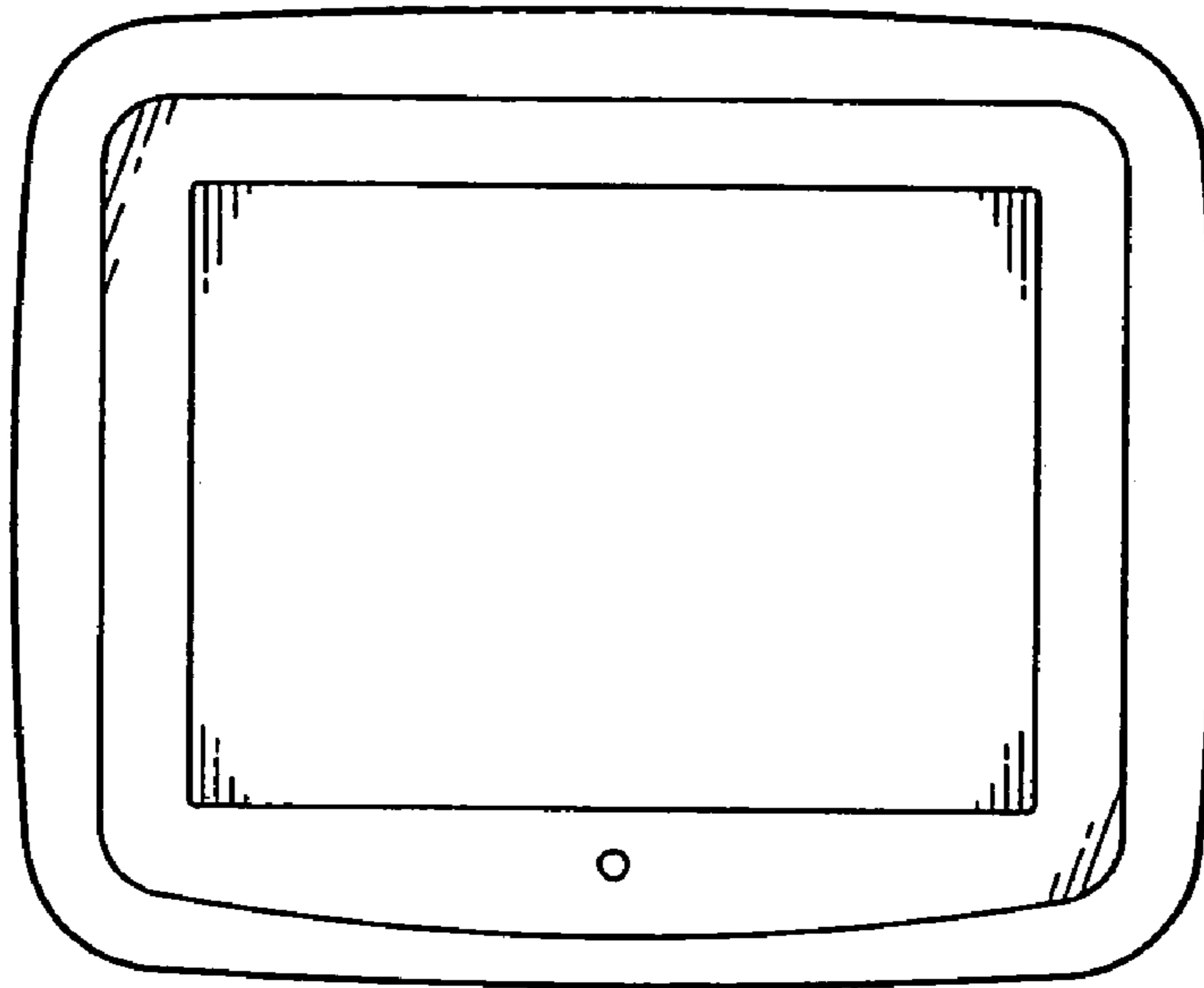


FIG. 3

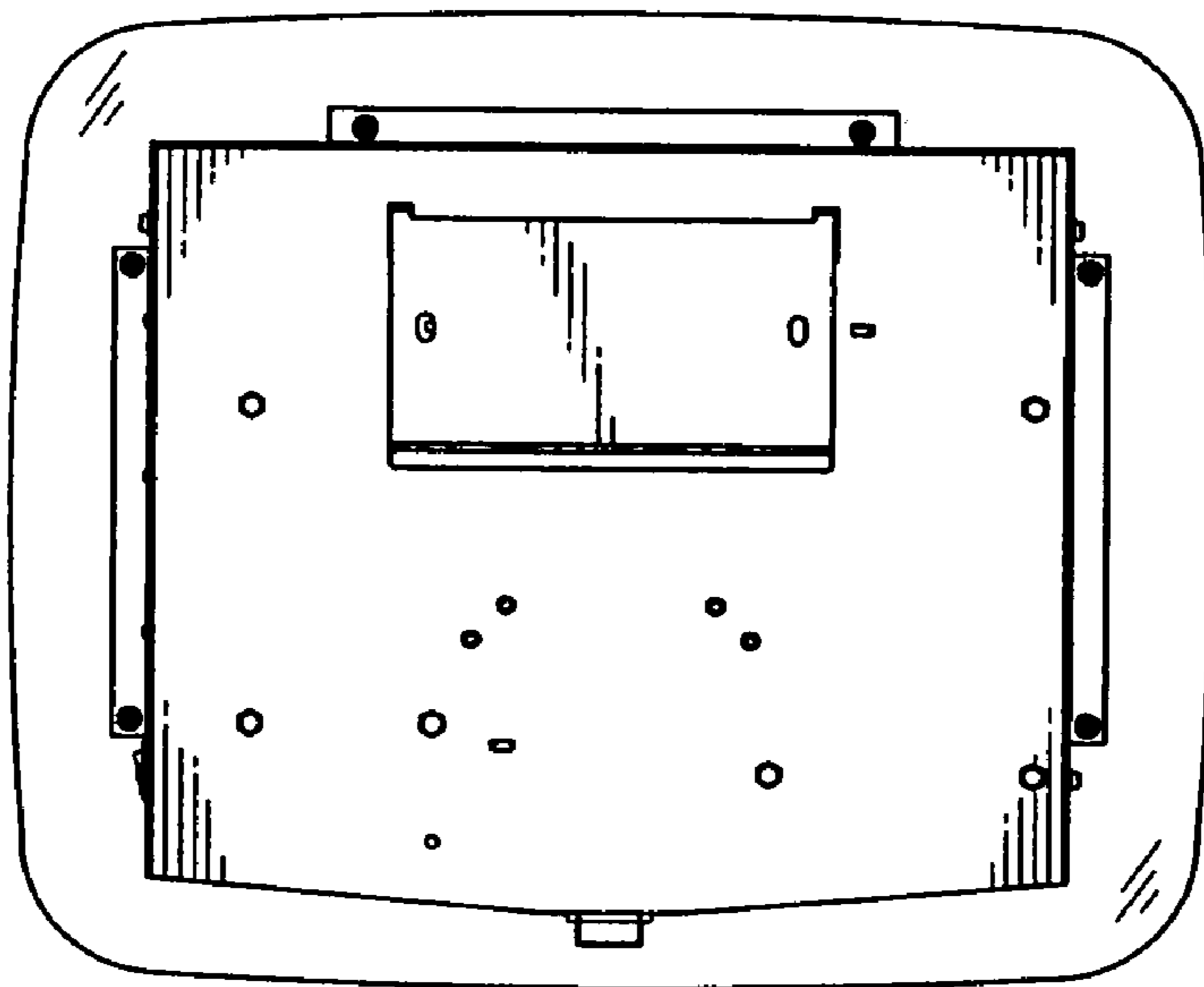


FIG. 4

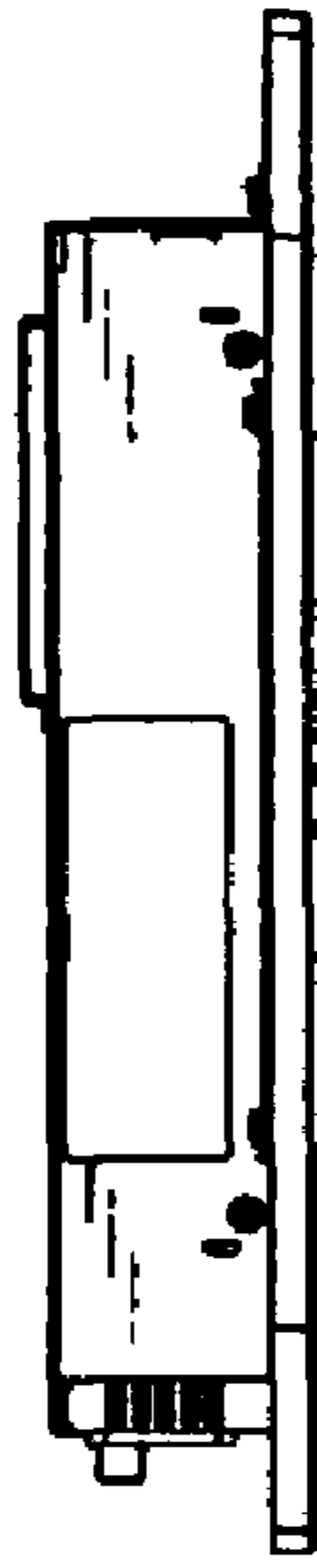


FIG. 5

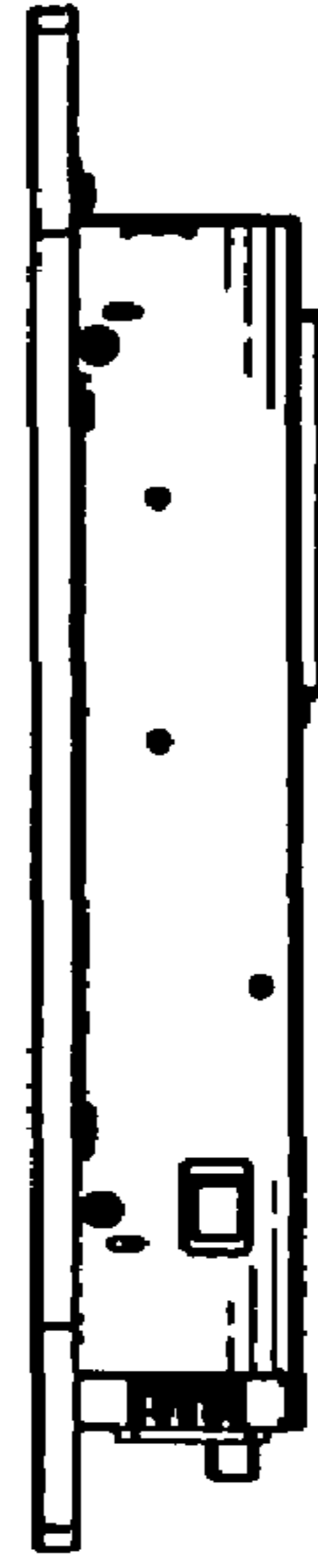


FIG. 6

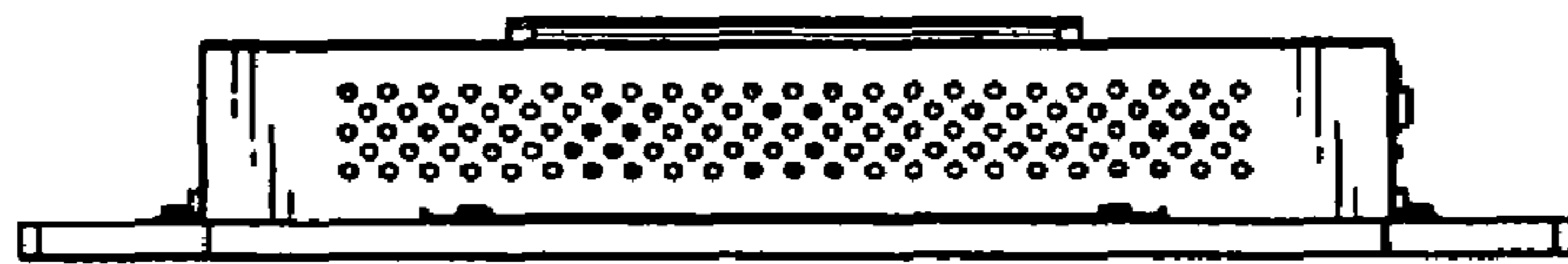


FIG. 7

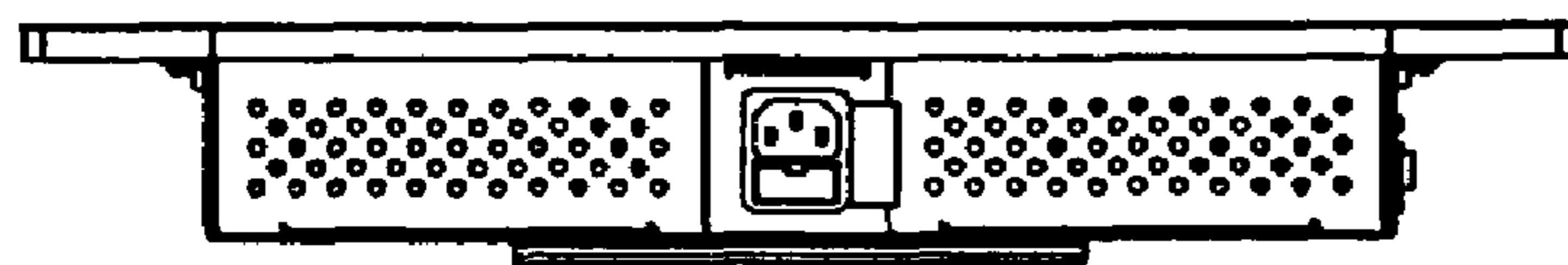


FIG. 8

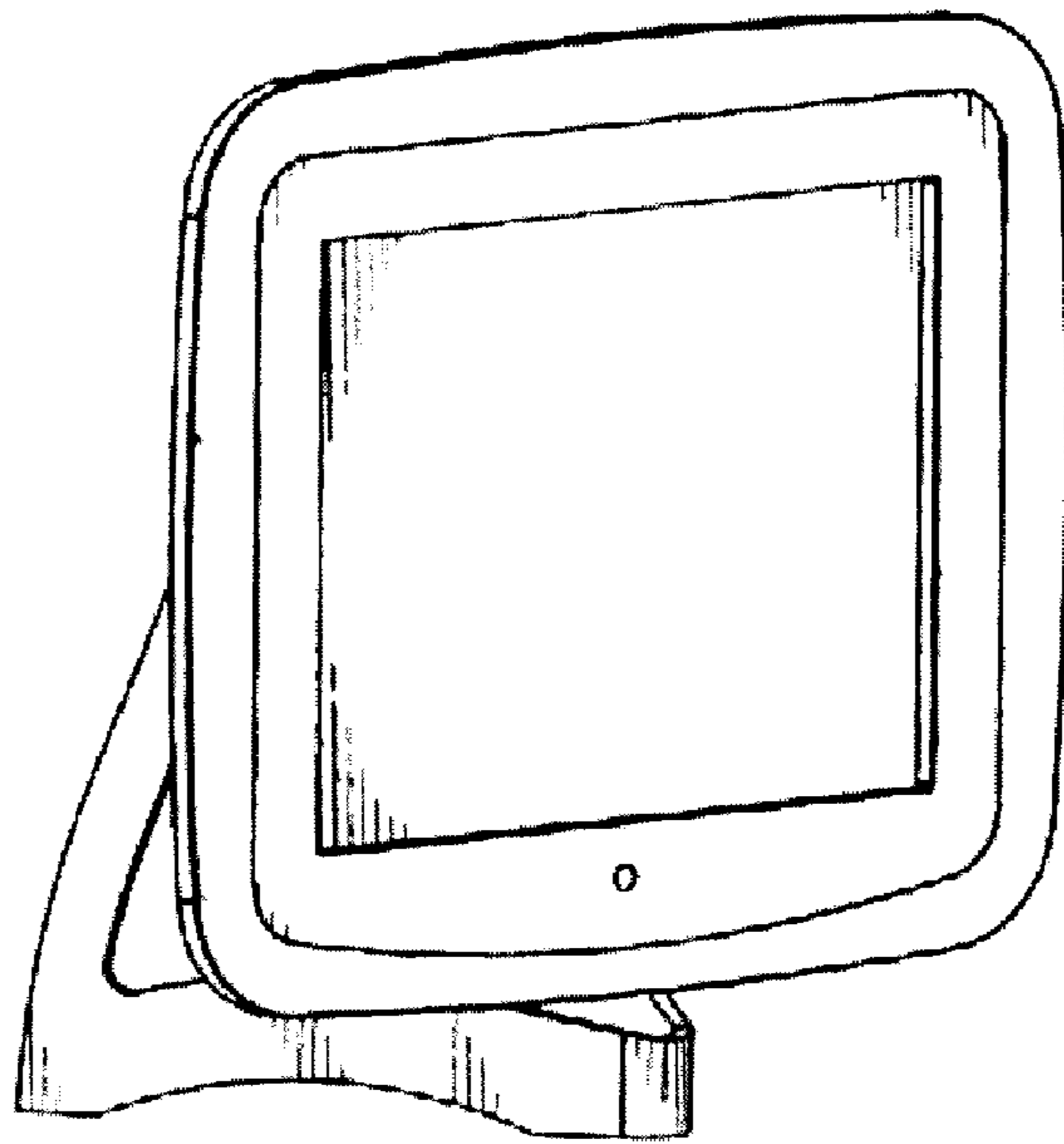


FIG. 9

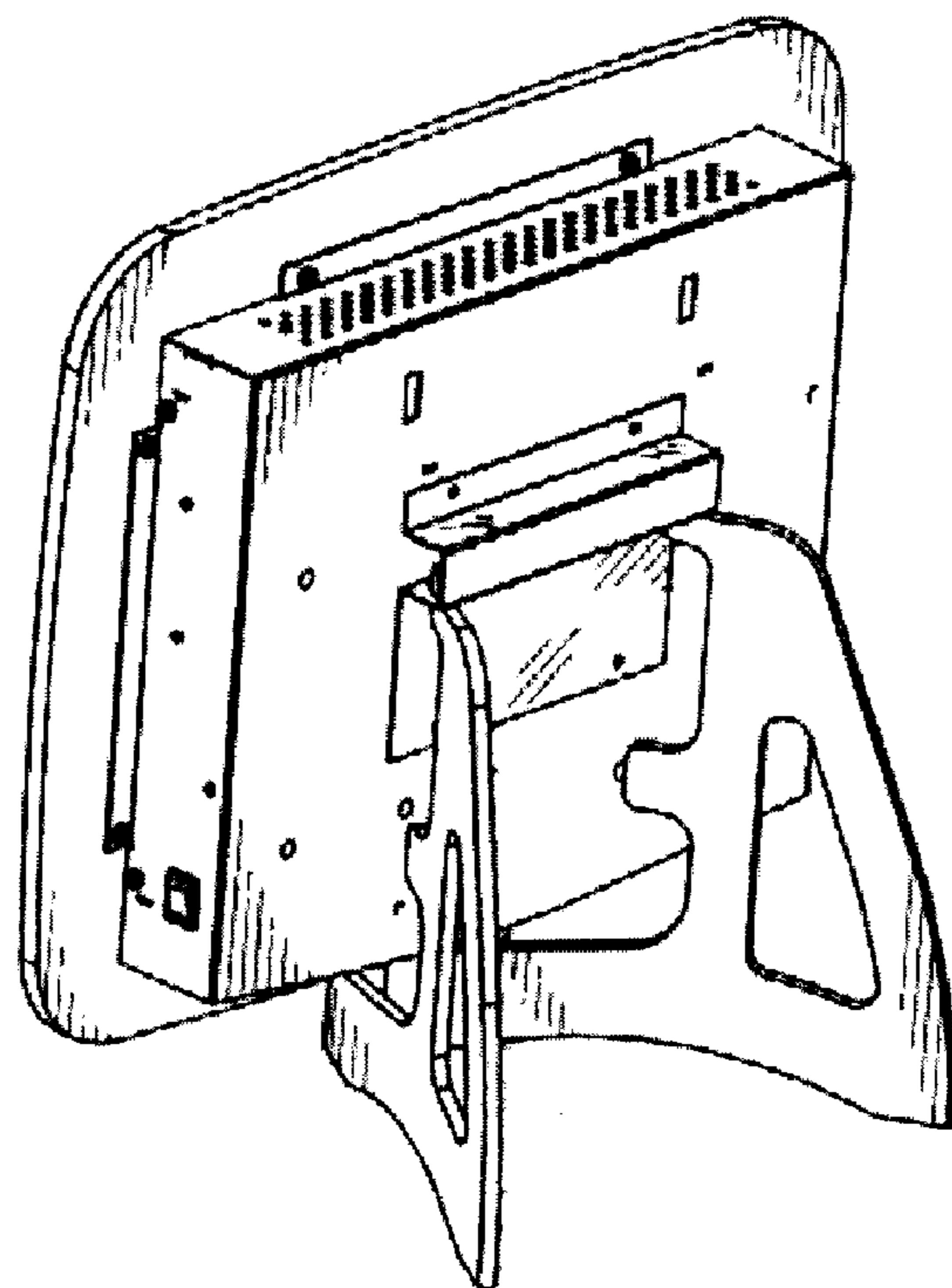


FIG. 10

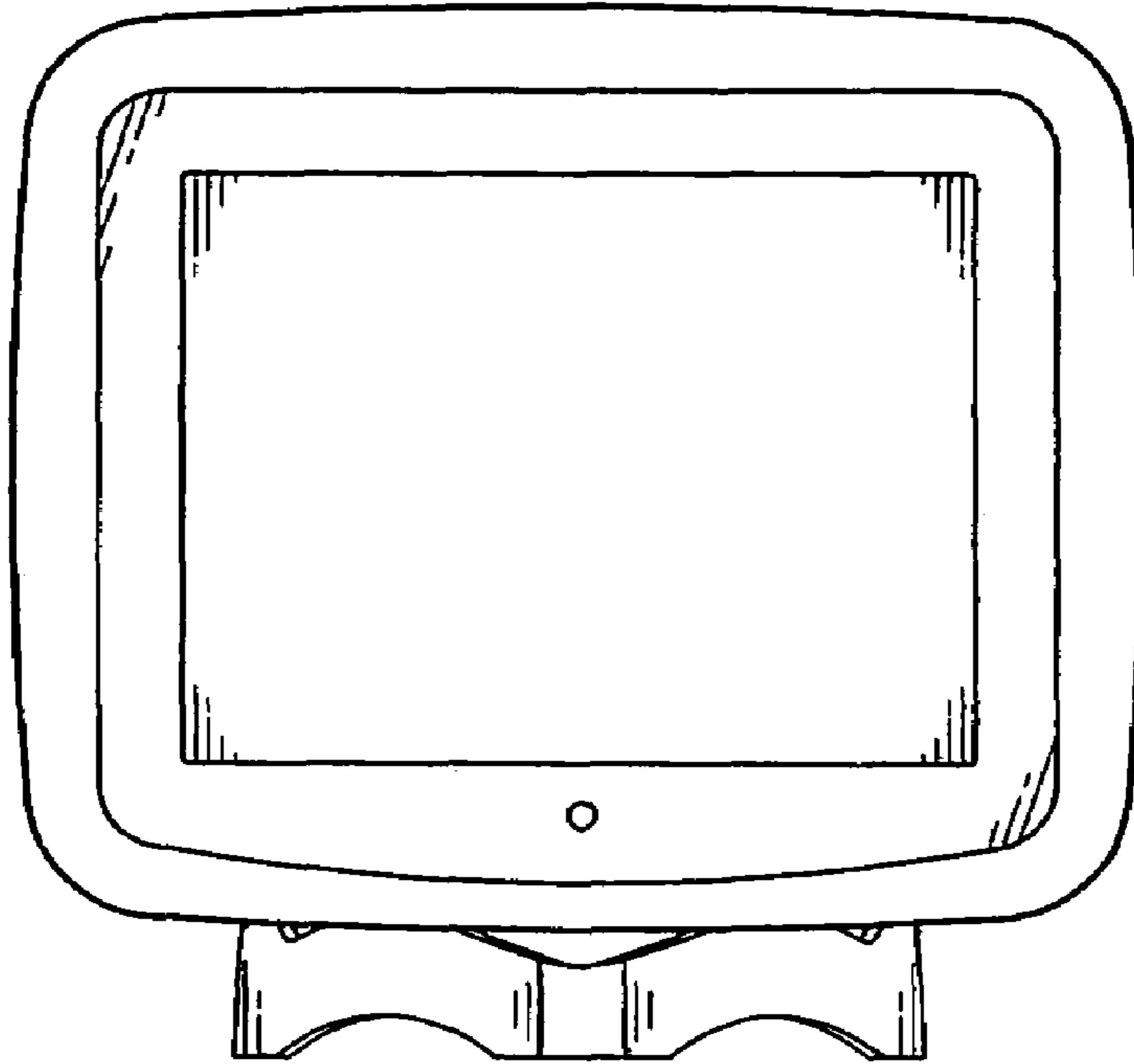


FIG. 11

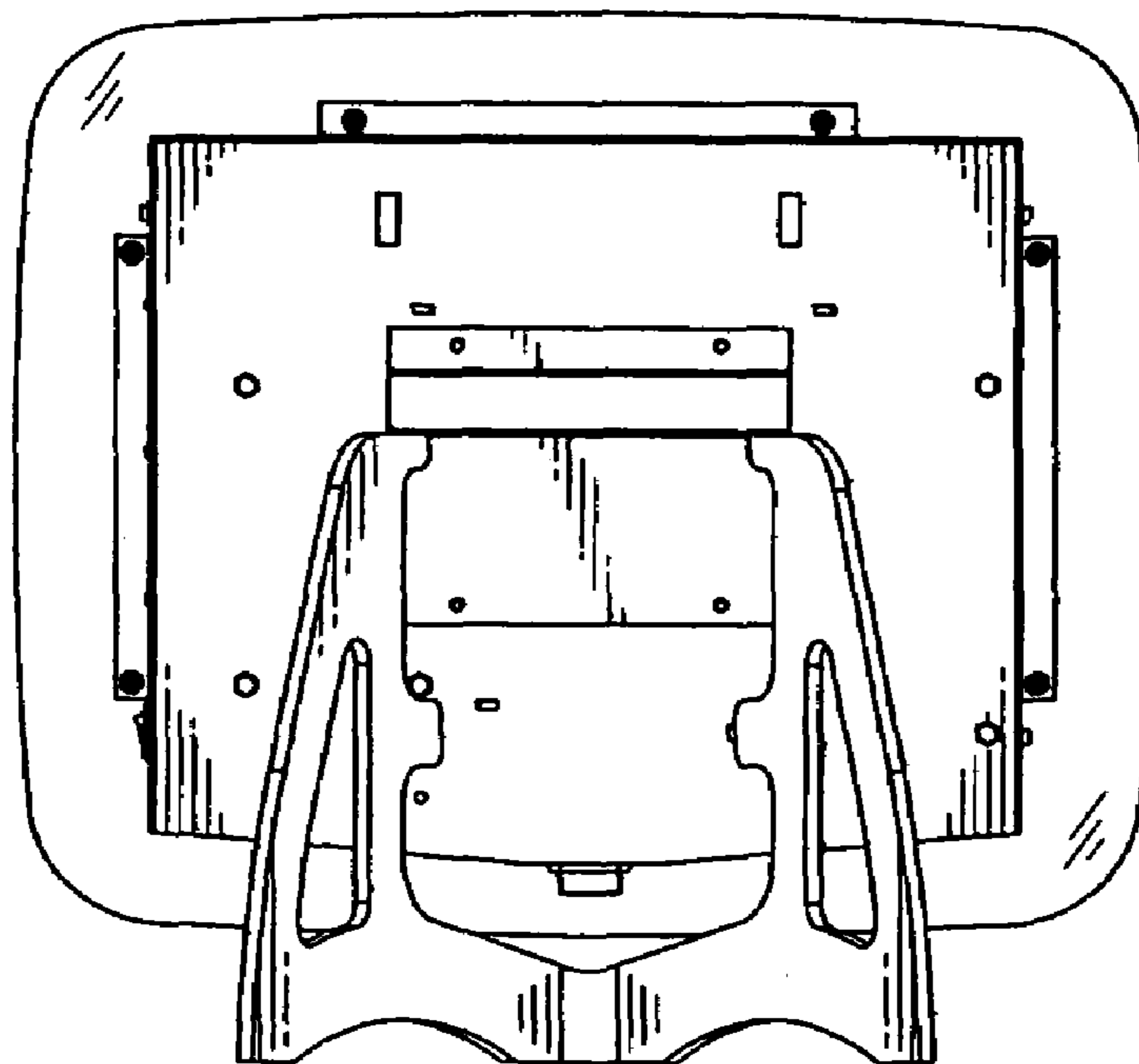


FIG. 12

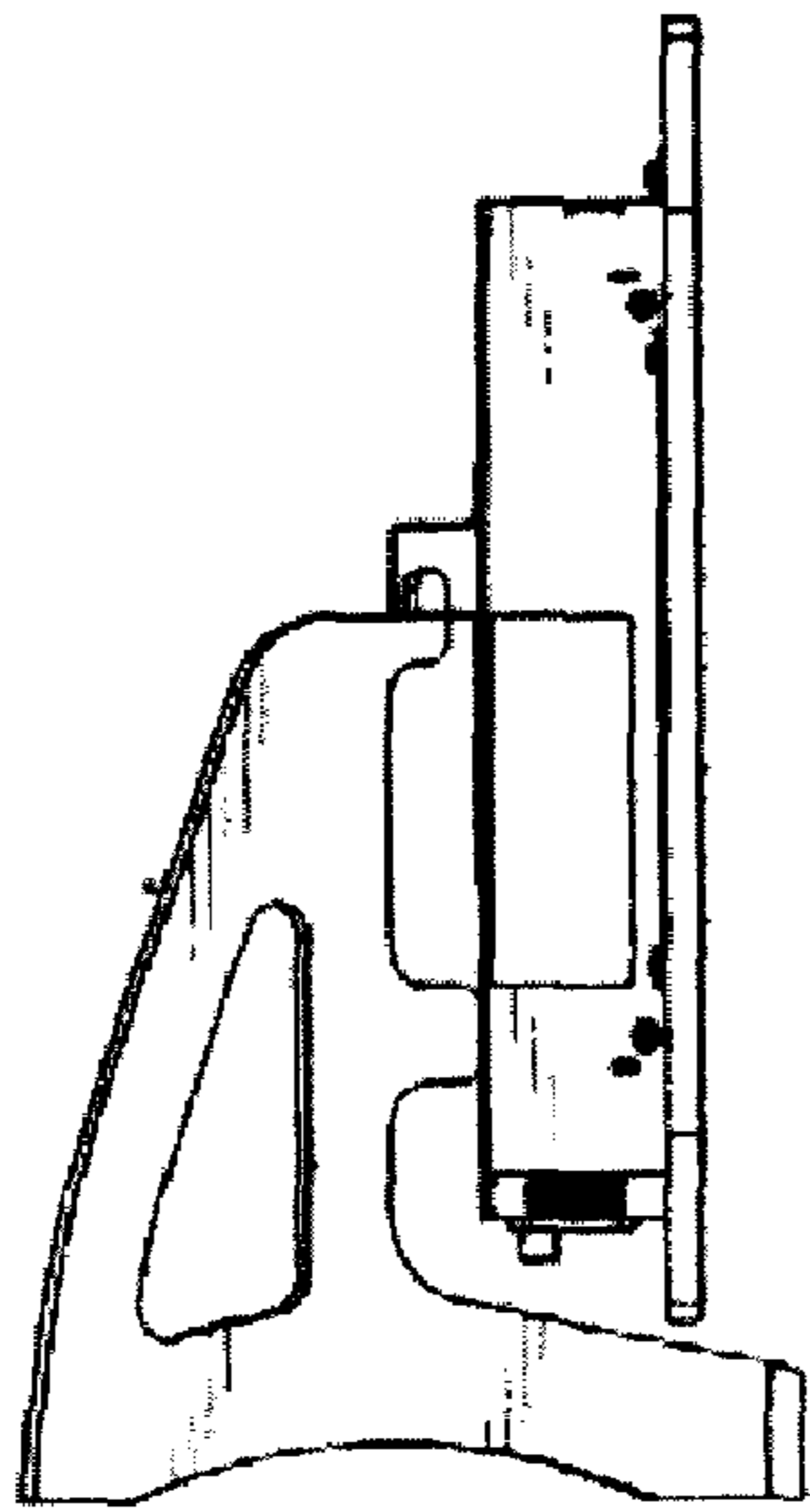


FIG. 13

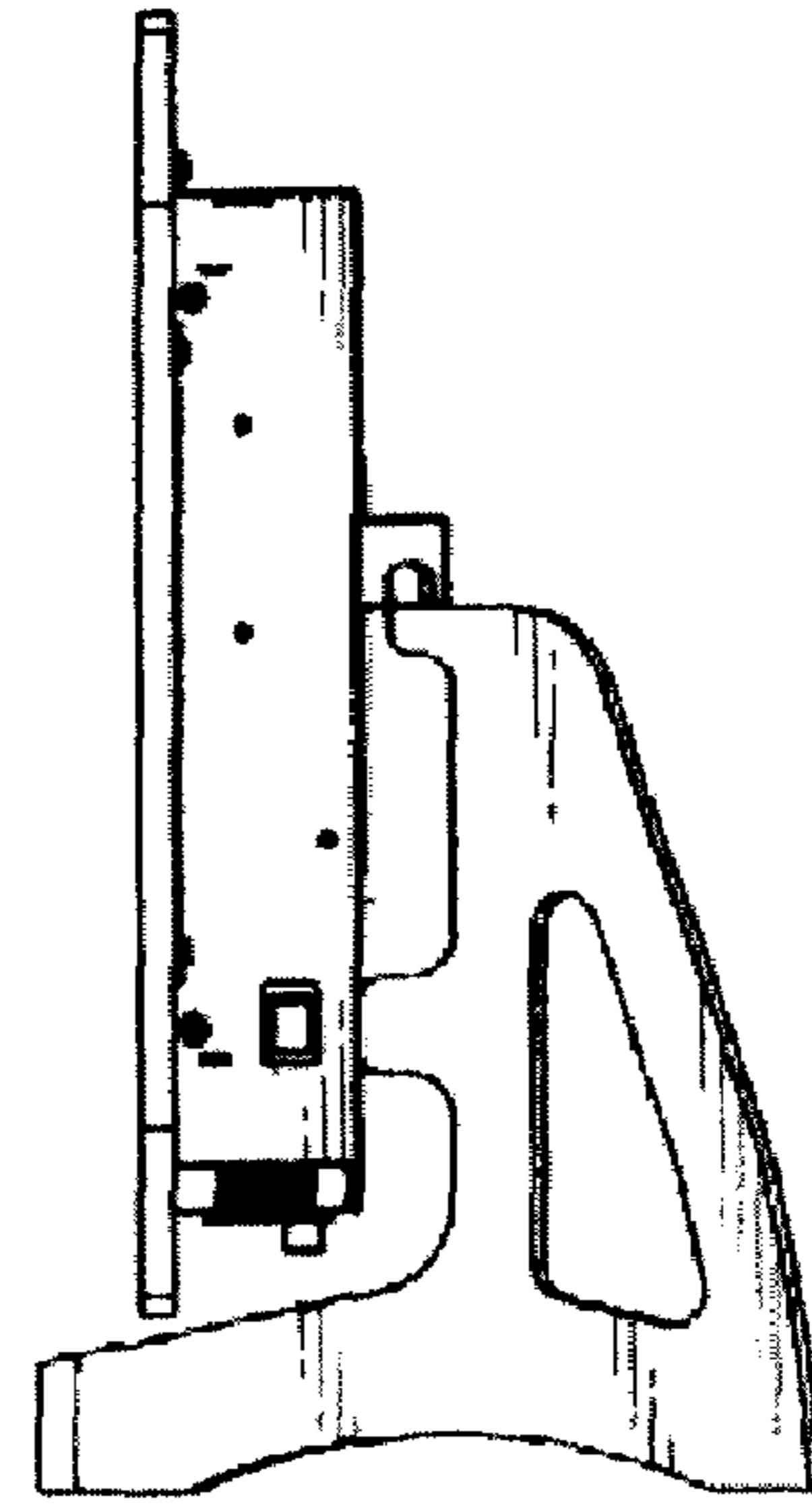


FIG. 14

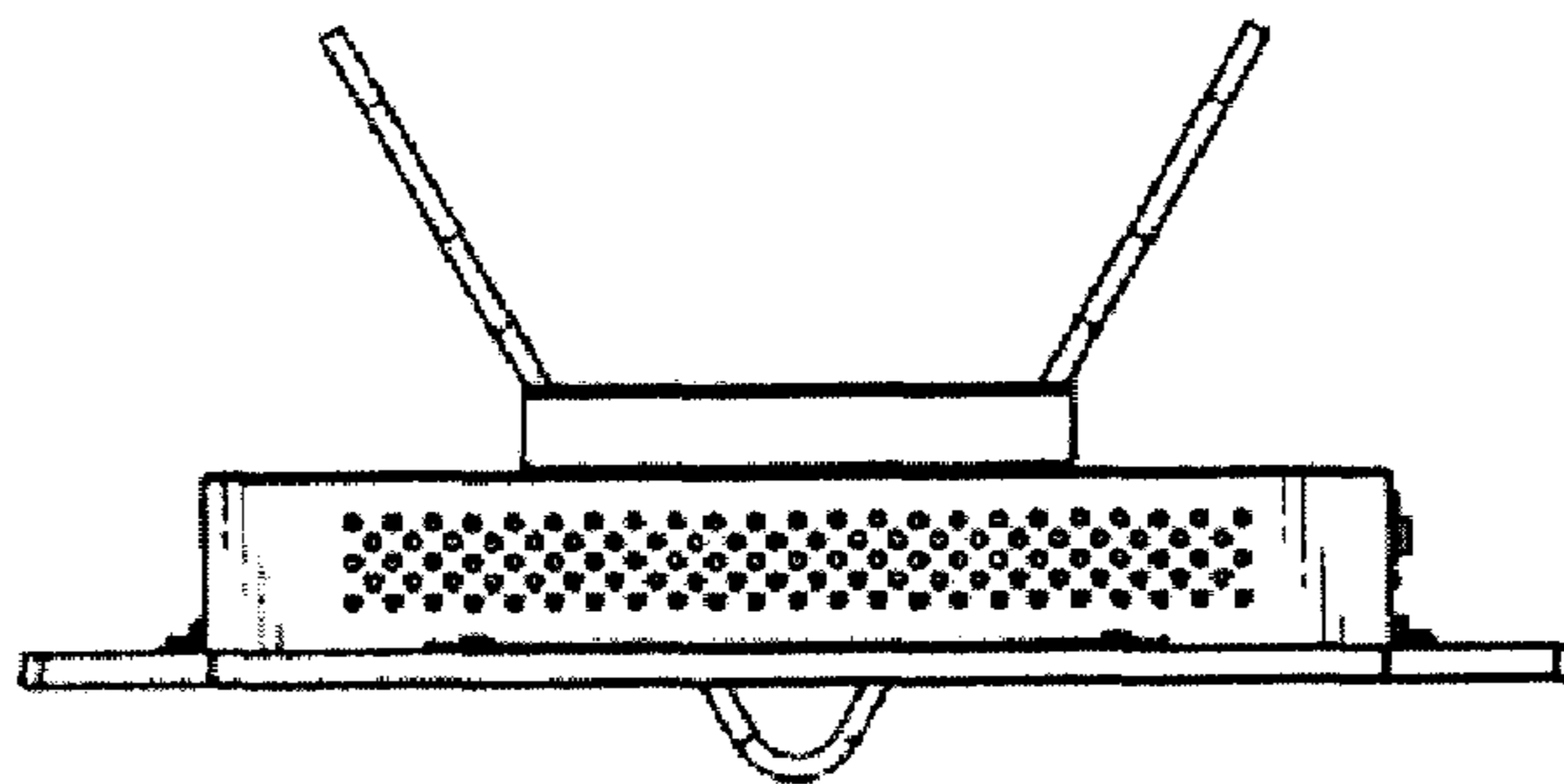


FIG. 15

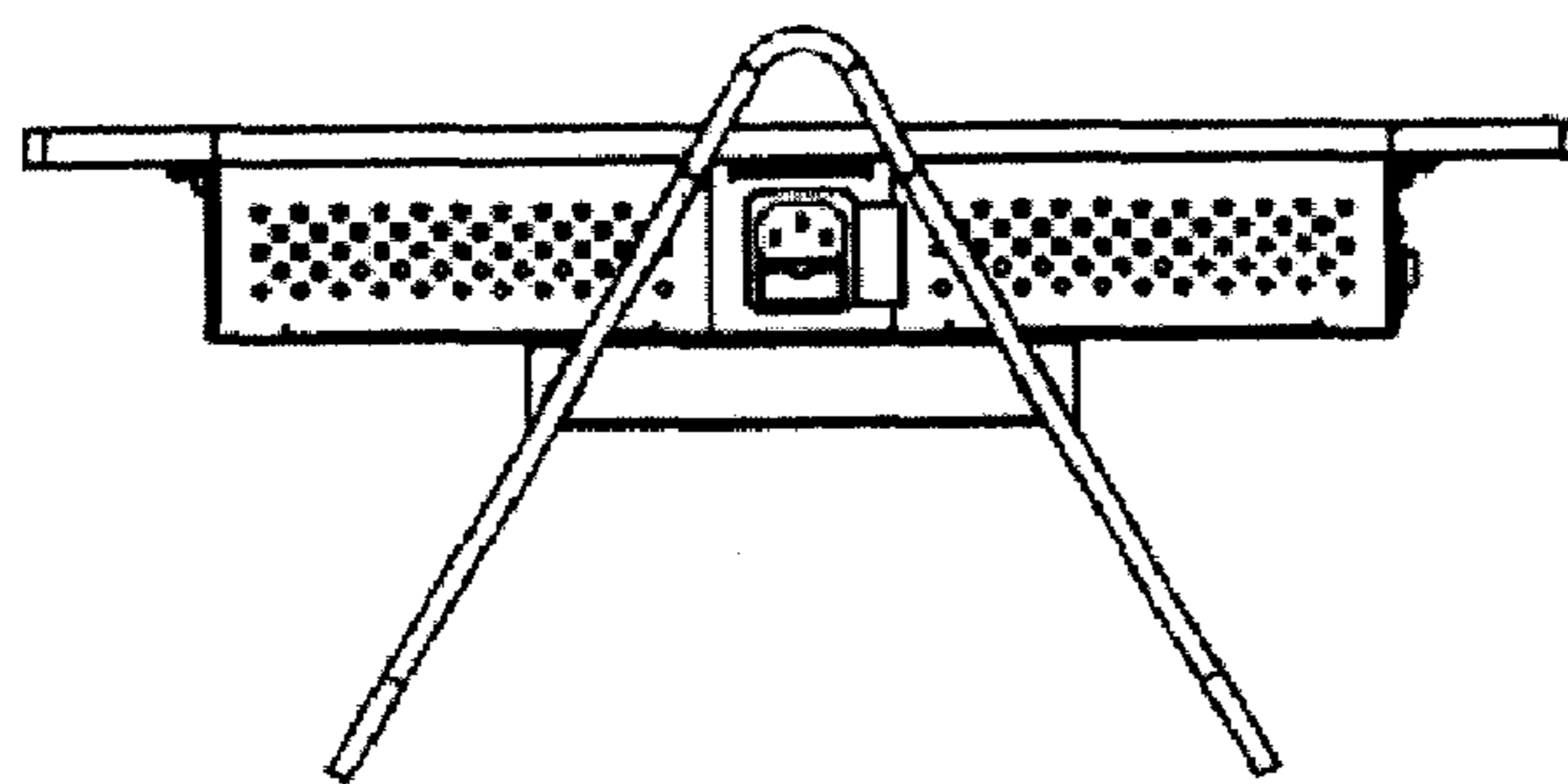


FIG. 16