



US00D552241S

(12) **United States Design Patent**  
**Bromley et al.**

(10) **Patent No.:** **US D552,241 S**

(45) **Date of Patent:** **\*\* Oct. 2, 2007**

(54) **ELECTROSURGICAL GENERATOR**

(75) Inventors: **Robert L. Bromley**, Littleton, CO  
(US); **Shane Ashley Matthews**,  
Boulder, CO (US)

(73) Assignee: **ConMed Corporation**, Utica, NY (US)

(\*\*) Term: **14 Years**

(21) Appl. No.: **29/225,060**

(22) Filed: **Mar. 10, 2005**

(51) **LOC (8) Cl.** ..... **24-01**

(52) **U.S. Cl.** ..... **D24/170**

(58) **Field of Classification Search** ..... D24/167,  
D24/170, 200-214; 607/44-46, 48-50, 61-64;  
606/34-36, 42, 46, 49; D13/112, 122  
See application file for complete search history.

(56) **References Cited**

**U.S. PATENT DOCUMENTS**

- D302,302 S \* 7/1989 Bell ..... D24/214
- D349,343 S \* 8/1994 Hannon et al. .... D24/170
- D401,696 S \* 11/1998 Kuo ..... D24/200
- D477,408 S \* 7/2003 Bromley ..... D24/170

- D491,666 S \* 6/2004 Kimmell et al. .... D24/170
- D505,726 S \* 5/2005 Ryan ..... D24/200
- 2004/0015203 A1\* 1/2004 McGraw et al. .... 607/48

\* cited by examiner

*Primary Examiner*—Louis S. Zarfaz

*Assistant Examiner*—Anhdao Doan

(74) *Attorney, Agent, or Firm*—John R. Ley

(57) **CLAIM**

We claim the ornamental design for an electrosurgical generator, as shown.

**DESCRIPTION**

FIG. 1 is a top front perspective view of an electrosurgical generator showing our new design;

FIG. 2 is a front elevational view thereof;

FIG. 3 is a rear elevational view thereof;

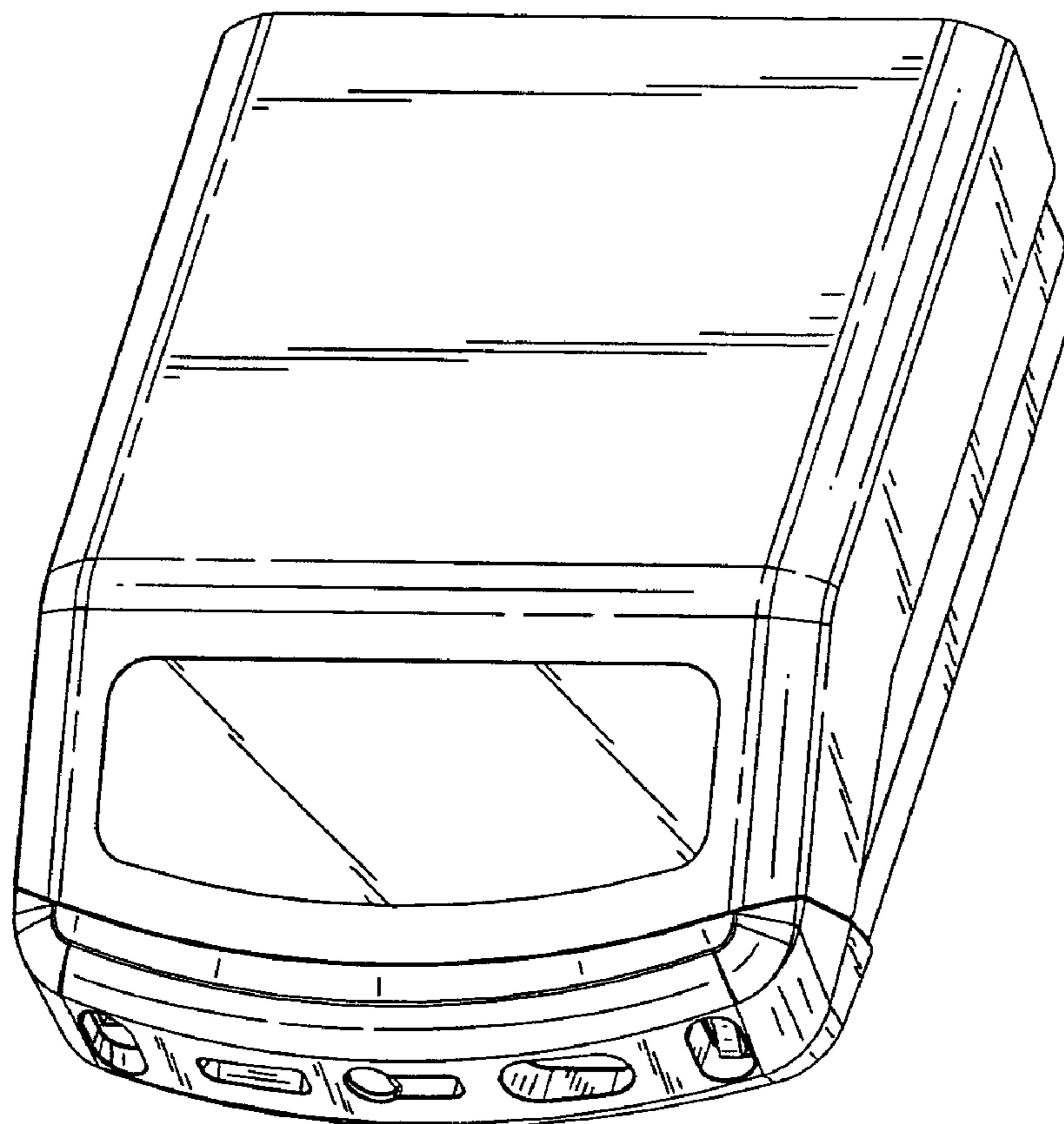
FIG. 4 is a right side elevational view thereof;

FIG. 5 is a left side elevational view thereof;

FIG. 6 is a top plan view thereof; and,

FIG. 7 is a bottom plan view thereof.

**1 Claim, 5 Drawing Sheets**



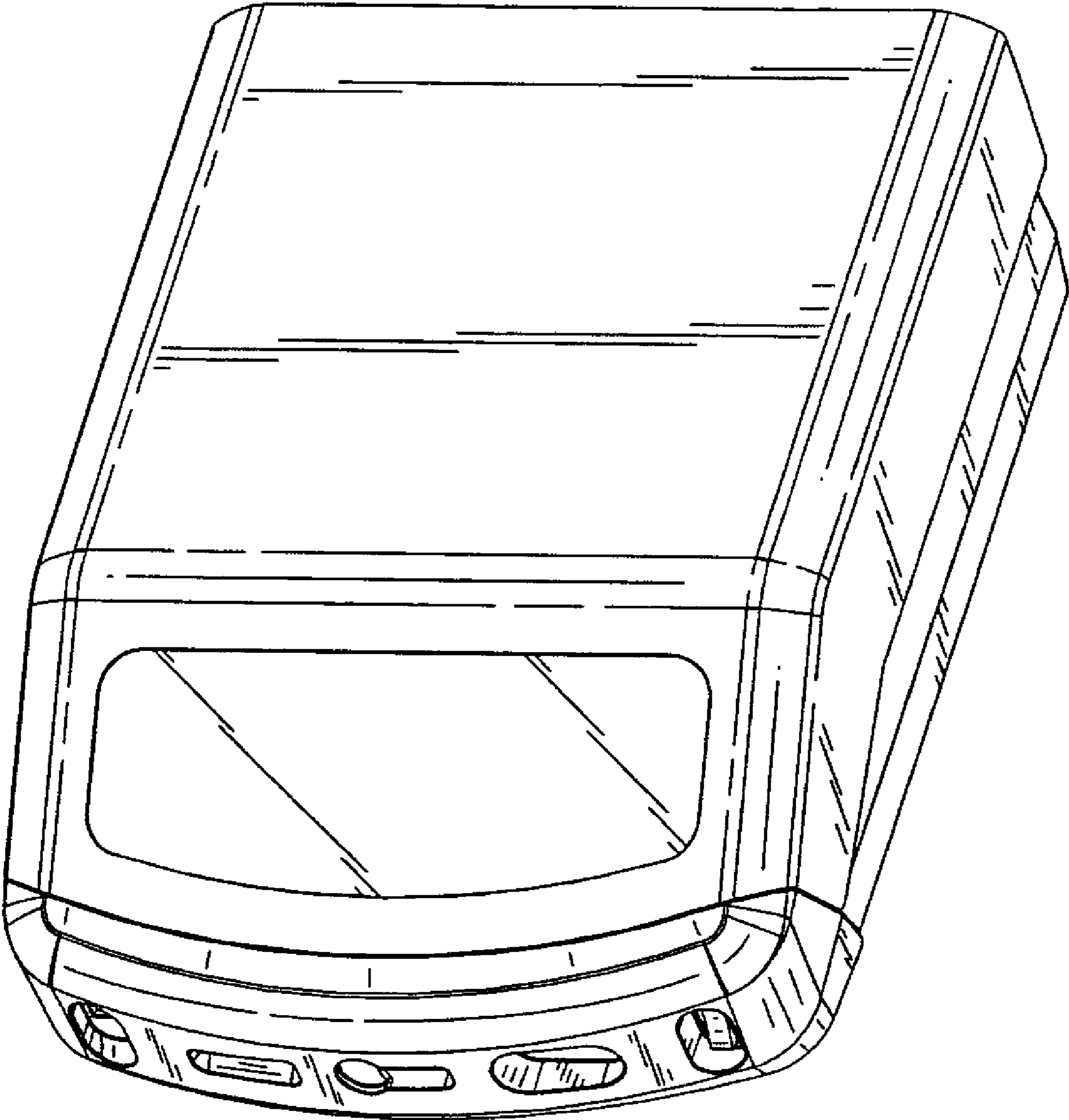


FIG.1

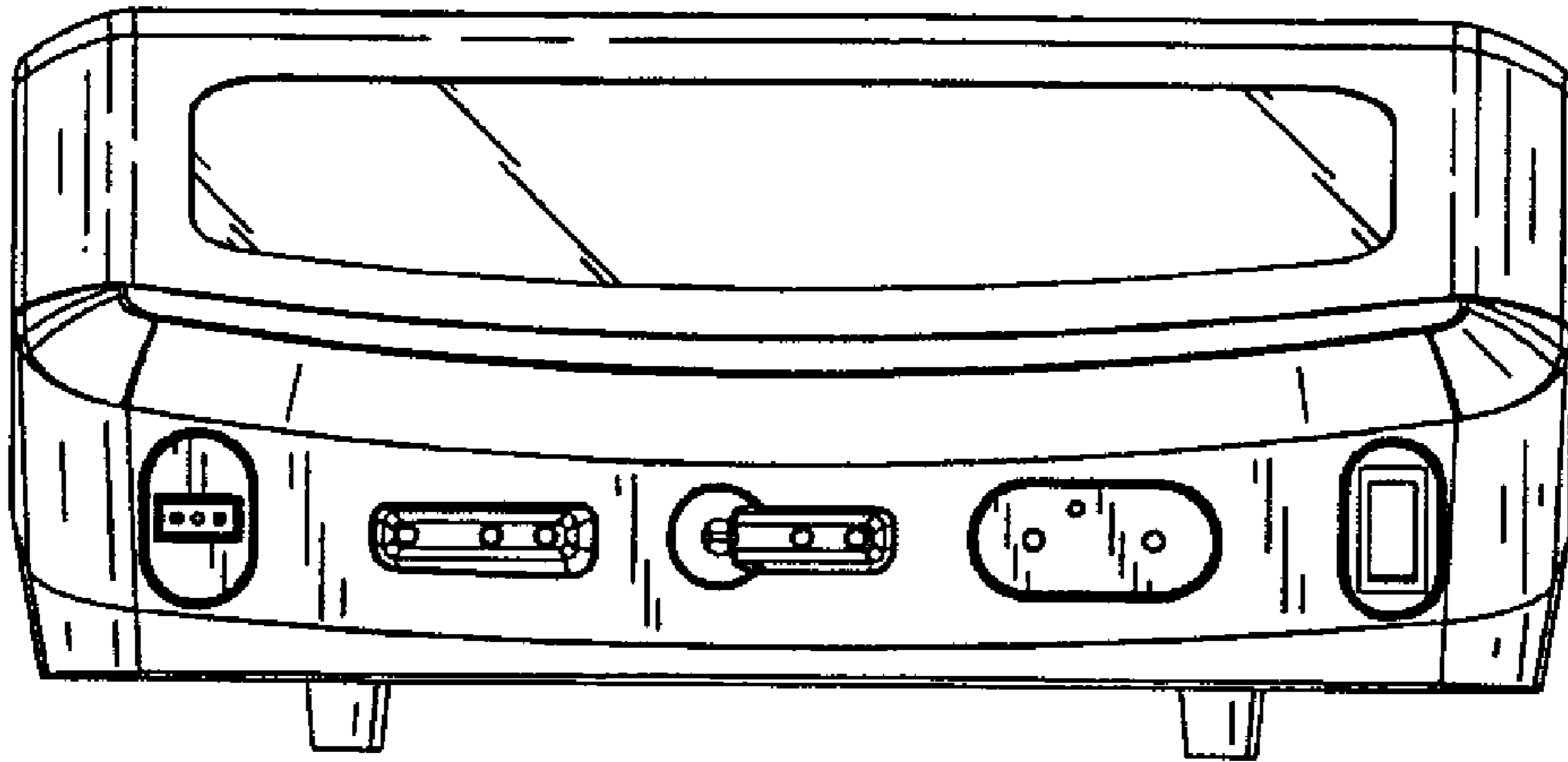


FIG. 2

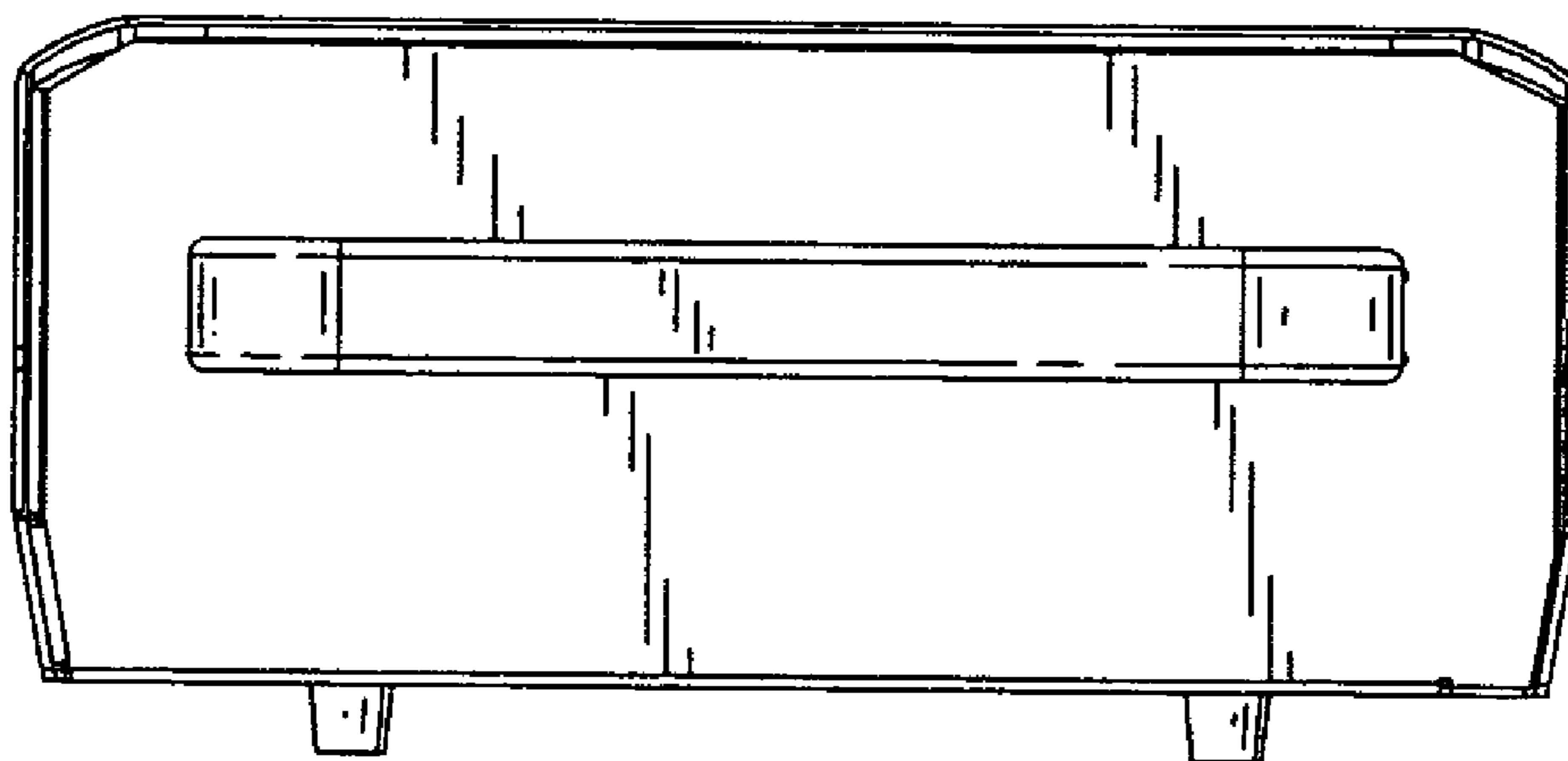


FIG. 3

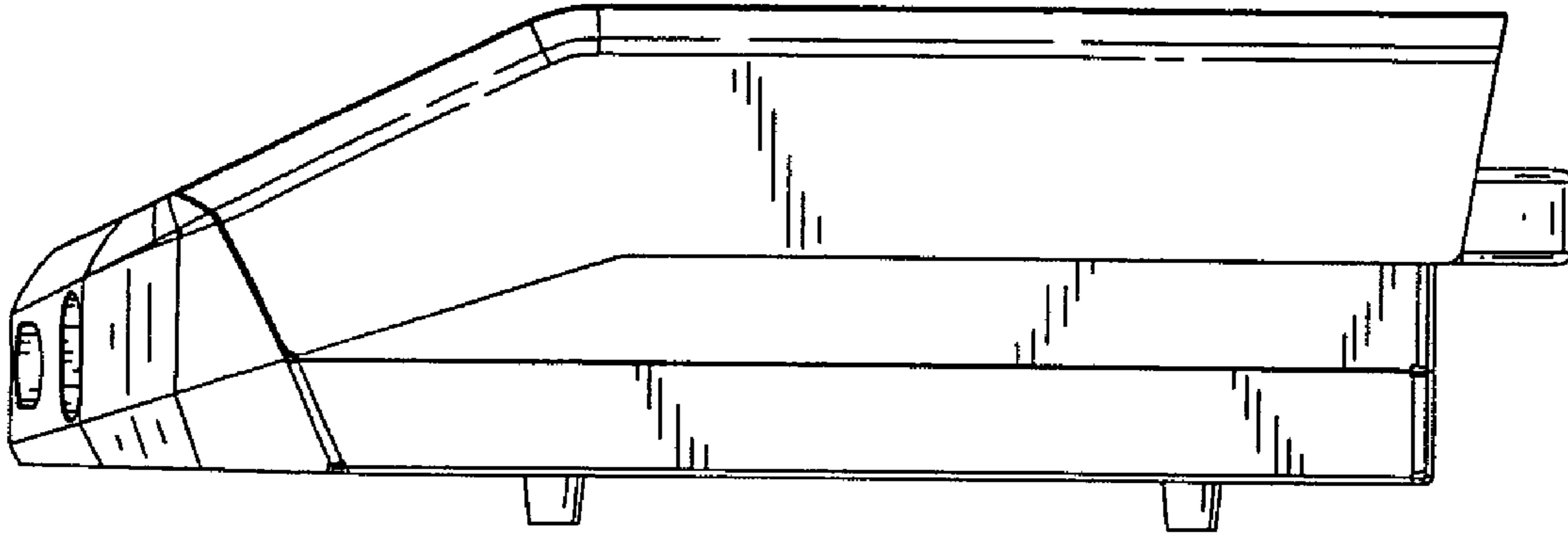


FIG. 4

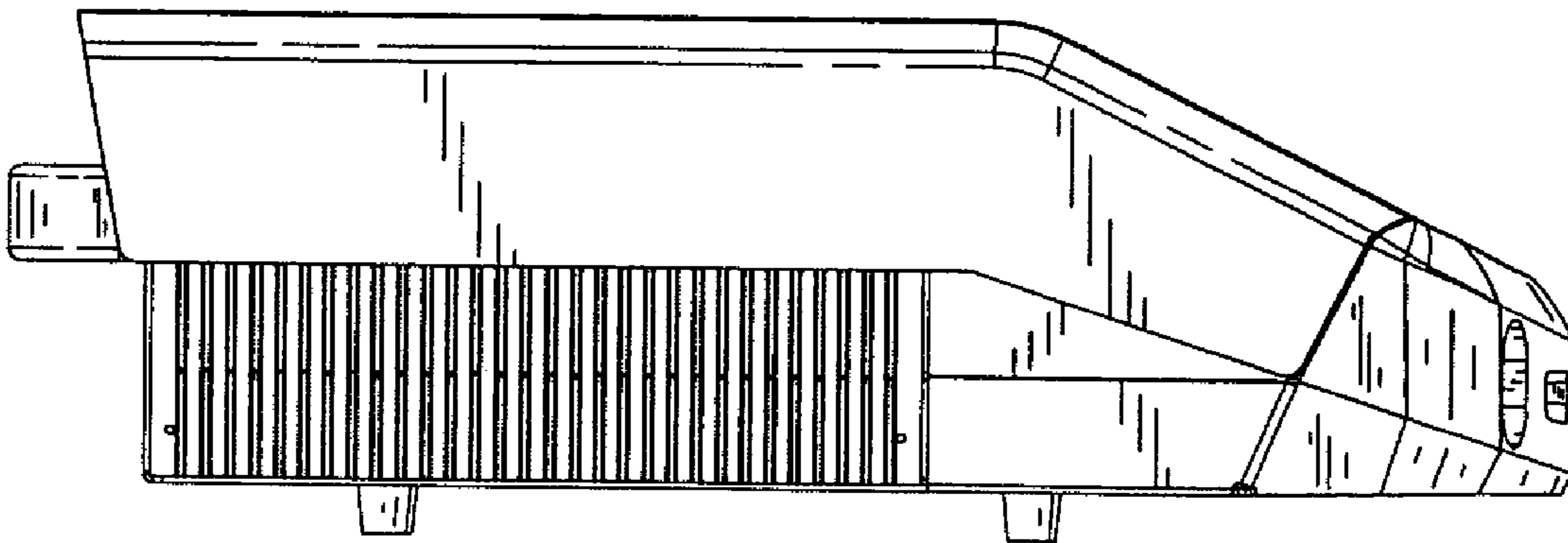


FIG. 5

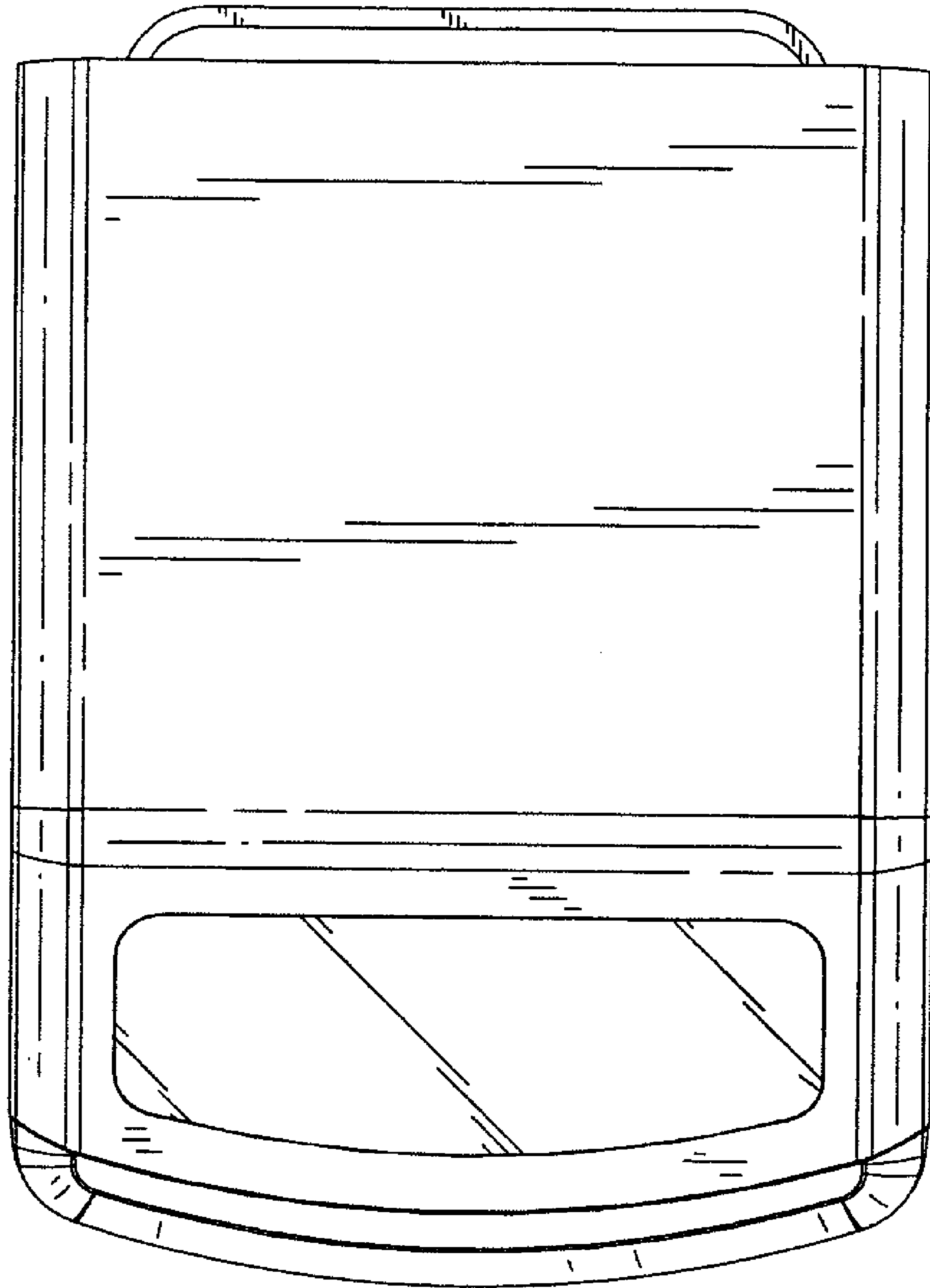


FIG.6

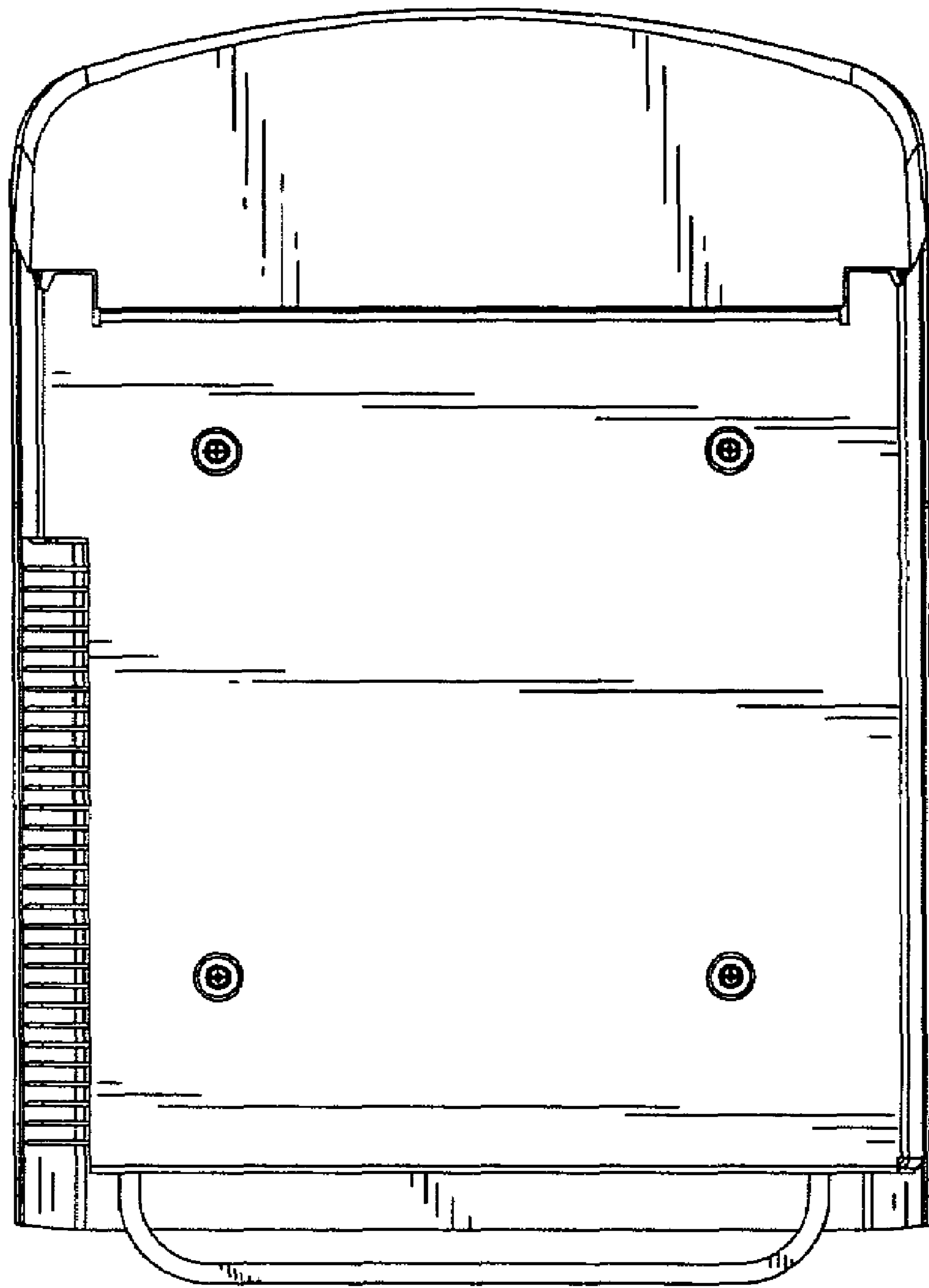


FIG.7