



US00D552240S

(12) **United States Design Patent**
Kishimoto et al.

(10) **Patent No.:** **US D552,240 S**

(45) **Date of Patent:** **** Oct. 2, 2007**

(54) **SPHYGMOMANOMETER**

2006/0047204 A1* 3/2006 Chen et al. 600/485

(75) Inventors: **Hiroshi Kishimoto**, Kyoto (JP); **Naomi Matsumura**, Osaka (JP); **Masayuki Fukutsuka**, Kyoto (JP); **Tadashi Koike**, Kyoto (JP); **Kenji Eda**, Osaka (JP); **Takahide Tanaka**, Shiga (JP); **Yosuke Fujii**, Osaka (JP); **So Noguchi**, Osaka (JP); **Shuji Tsuruta**, Osaka (JP)

* cited by examiner

Primary Examiner—Louis S. Zarfaz
Assistant Examiner—Anhdao Doan
(74) *Attorney, Agent, or Firm*—Harness, Dickey & Pierce, P.L.C.

(73) Assignee: **Omron Healthcare Co., Ltd.**, Kyoto (JP)

(57) **CLAIM**

The ornamental design for a sphygmomanometer, as shown.

(**) Term: **14 Years**

DESCRIPTION

(21) Appl. No.: **29/253,641**

FIG. 1 is a front, top, left side perspective view of the first embodiment of a sphygmomanometer showing our new design;

(22) Filed: **Feb. 10, 2006**

FIG. 2 is a rear, bottom, right side perspective view thereof;

(30) **Foreign Application Priority Data**

Aug. 12, 2005	(JP)	D2005-023543
Aug. 12, 2005	(JP)	D2005-023544
Aug. 12, 2005	(JP)	D2005-023545
Aug. 12, 2005	(JP)	D2005-023546
Aug. 12, 2005	(JP)	D2005-023547
Aug. 12, 2005	(JP)	D2005-023549

FIG. 3 is a rear, top, right side perspective view thereof;

FIG. 4 is a front elevational view thereof;

FIG. 5 is a rear elevational view thereof;

FIG. 6 is a top plan view thereof;

FIG. 7 is a bottom plan view thereof;

FIG. 8 is a right side elevational view thereof;

FIG. 9 is a left side elevational view thereof;

(51) **LOC (8) Cl.** **24-02**

(52) **U.S. Cl.** **D24/165**

(58) **Field of Classification Search** D24/165-169, D24/186; 600/479, 480, 481, 482, 485, 490, 600/493, 495, 500

FIG. 10 is a front, top, left side perspective view showing a condition in which the cover is opened thereof;

FIG. 11 is a rear, top, right side perspective view showing a condition in which the cover is opened thereof;

See application file for complete search history.

FIG. 12 is a front elevational view showing a condition in which the cover is opened thereof;

FIG. 13 is a top plan view showing a condition in which the cover is opened thereof;

(56) **References Cited**

U.S. PATENT DOCUMENTS

D277,133 S *	1/1985	Houlihan	D24/165
D344,338 S *	2/1994	Yoshikawa et al.	D24/165
D452,564 S *	12/2001	Micinski et al.	D24/169
D473,651 S *	4/2003	Inagaki et al.	D24/165
D475,788 S *	6/2003	Inagaki et al.	D24/165

FIG. 14 is a left side elevational view showing a condition in which the cover is opened thereof;

FIG. 15 is a front-top view showing a condition in which the cover is opened thereof;

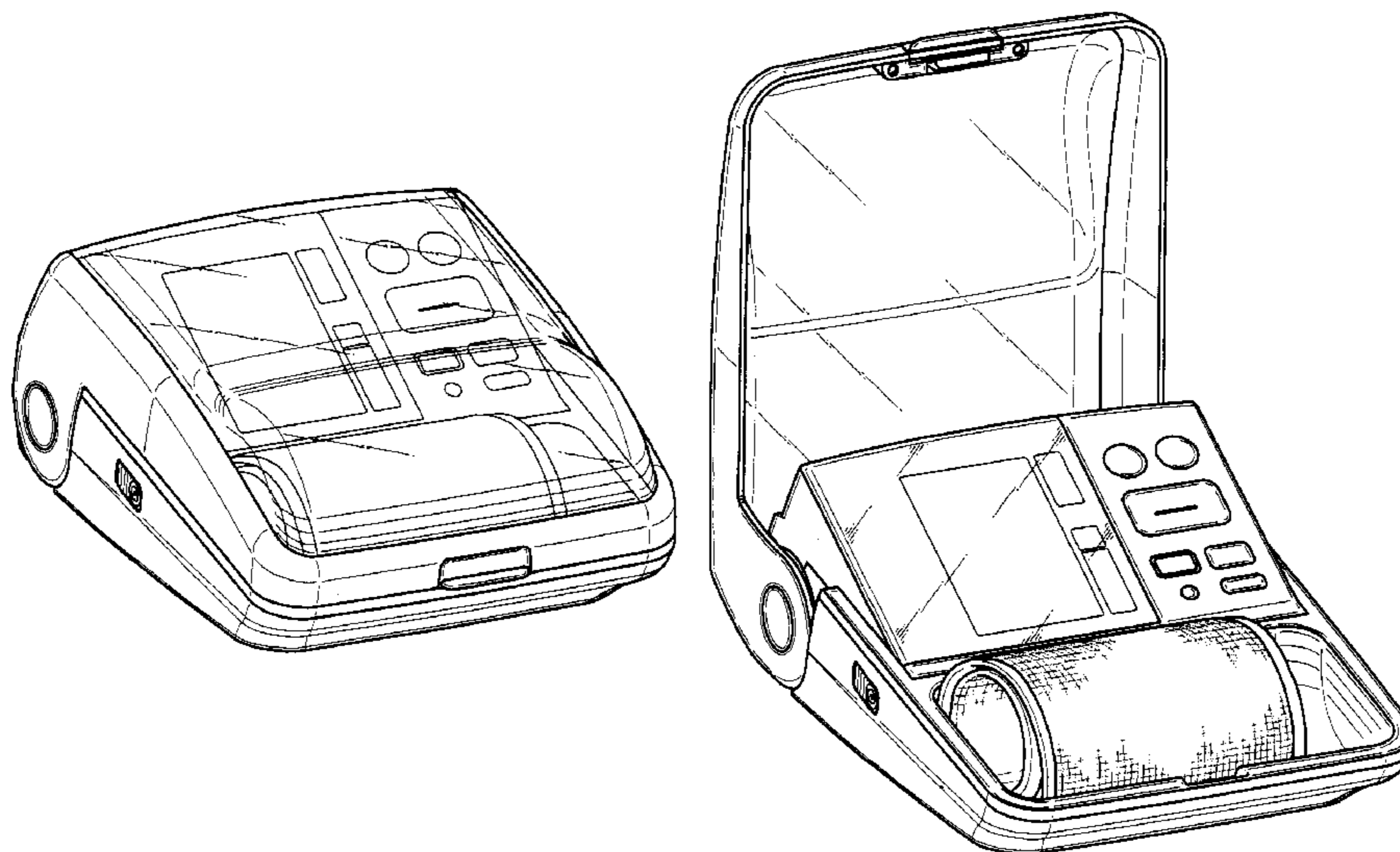


FIG. 16 is a front elevational view showing a condition in which the cover is opened and the cuff is taken out thereof;

FIG. 17 is a front elevational view of the main body of the sphygmomanometer thereof;

FIG. 18 is a top plan view of the portion of the sphygmomanometer shown in FIG. 17 thereof;

FIG. 19 is a left side elevational view of the portion of the sphygmomanometer shown in FIG. 17 thereof;

FIG. 20 is a perspective view of the portion of the sphygmomanometer shown in FIG. 17 thereof;

FIG. 21 is a front-top view thereof;

FIG. 22 is a perspective view of the cuff portion of the sphygmomanometer thereof; and,

FIG. 23 is a rear perspective view of the cuff portion of the sphygmomanometer thereof.

The broken lines shown in the drawings are for illustrative purposes only and form no part of the claimed design.

1 Claim, 17 Drawing Sheets

Fig. 1

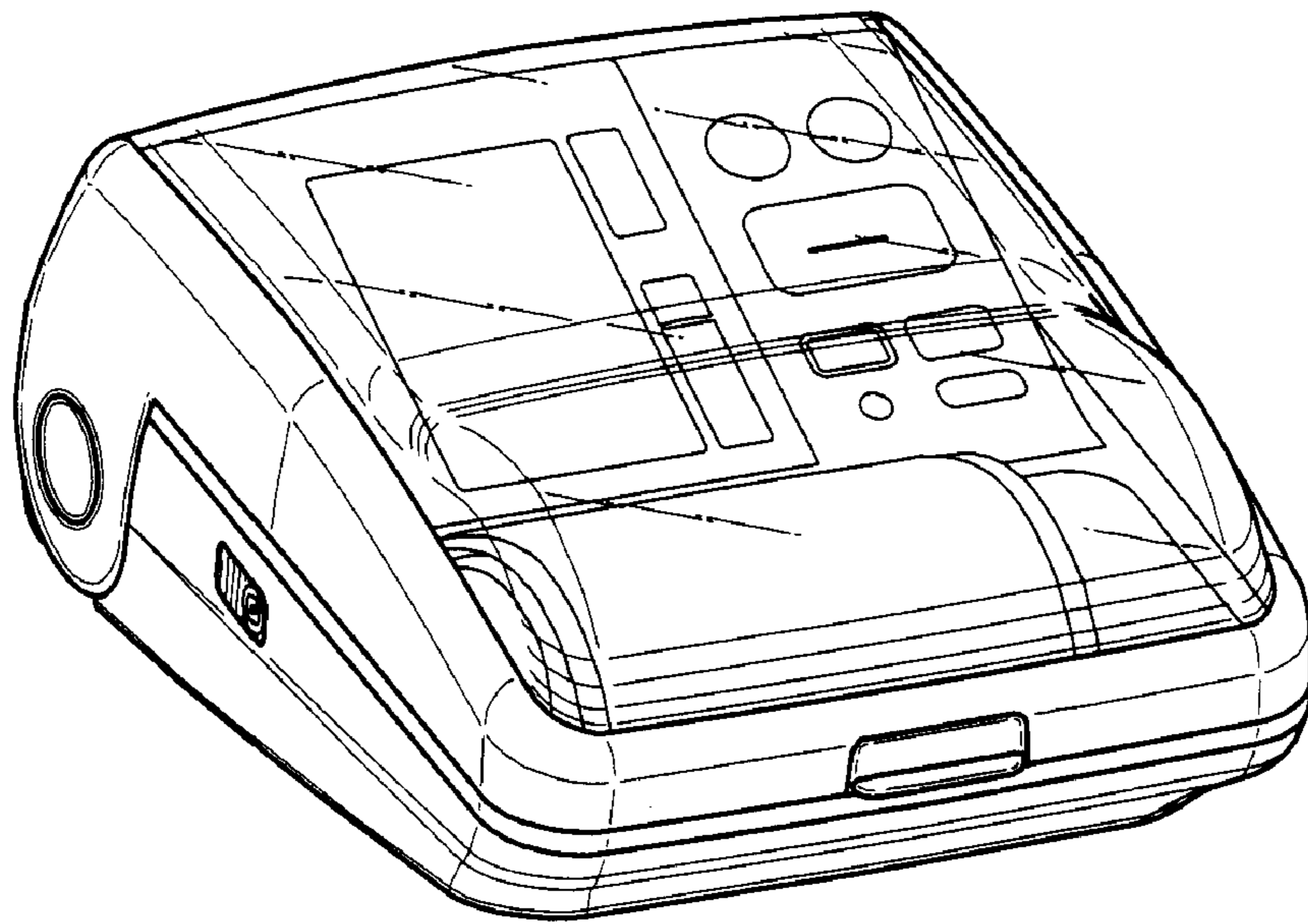


Fig. 2

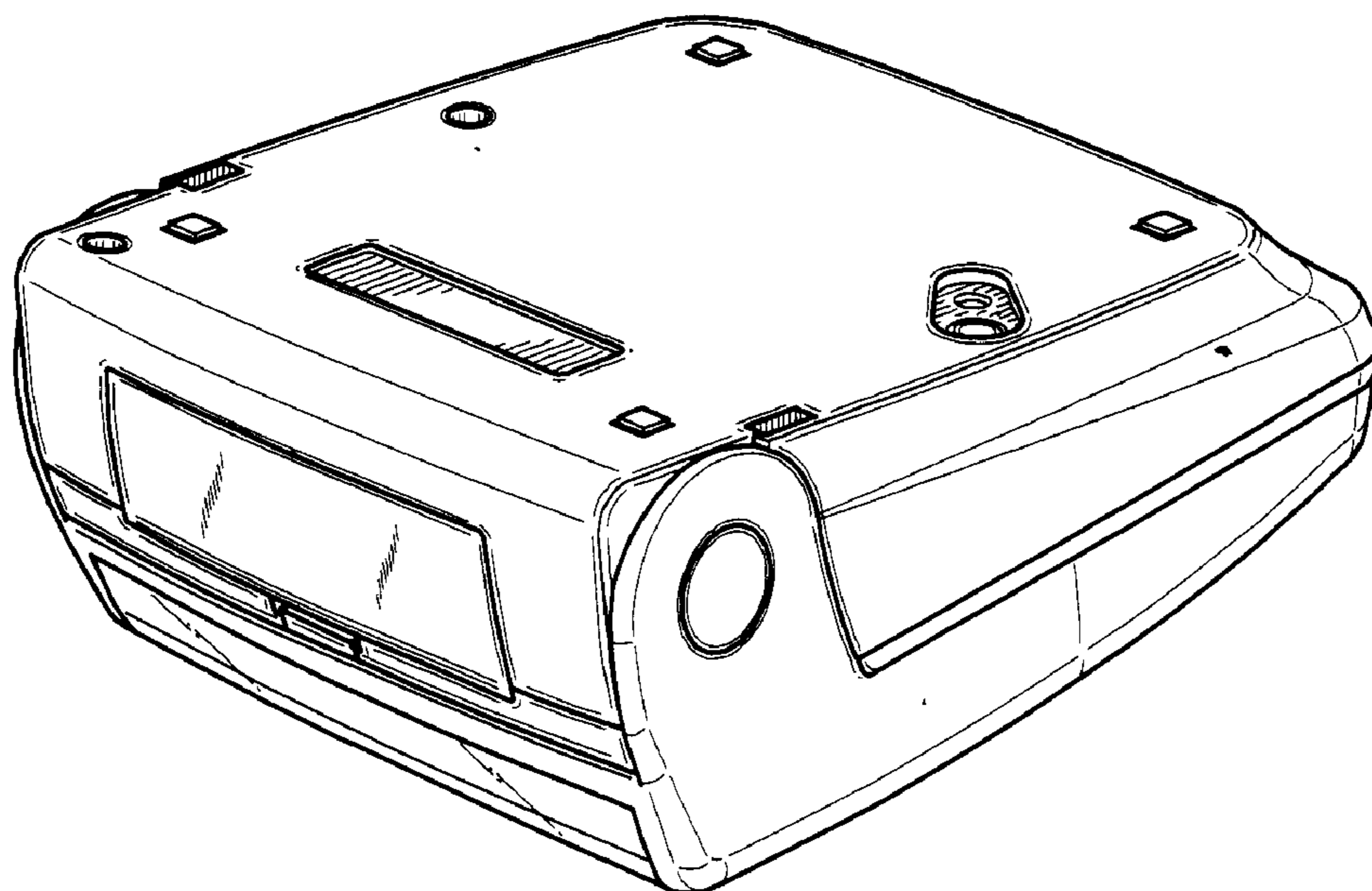


Fig. 3

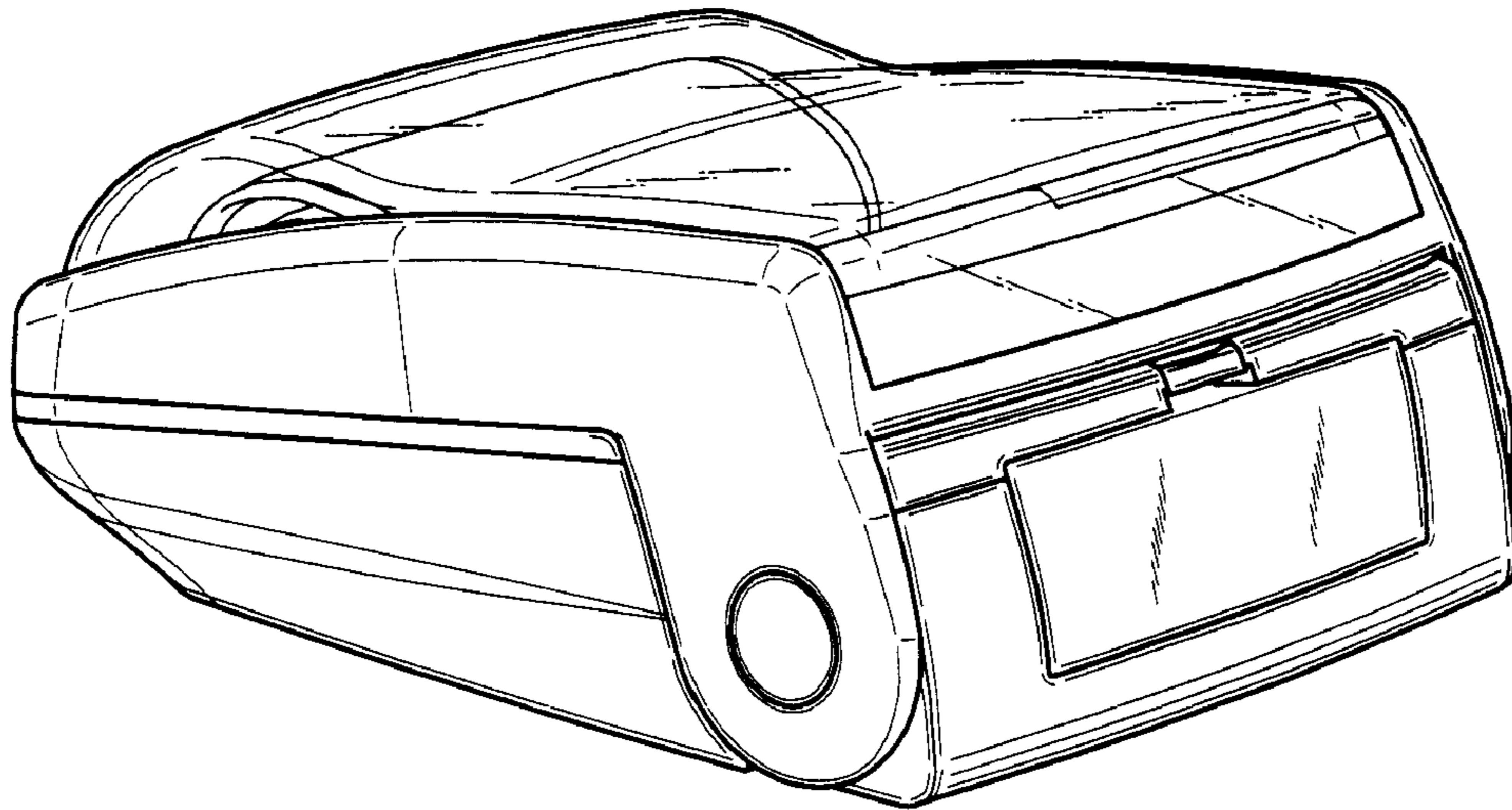


Fig. 4

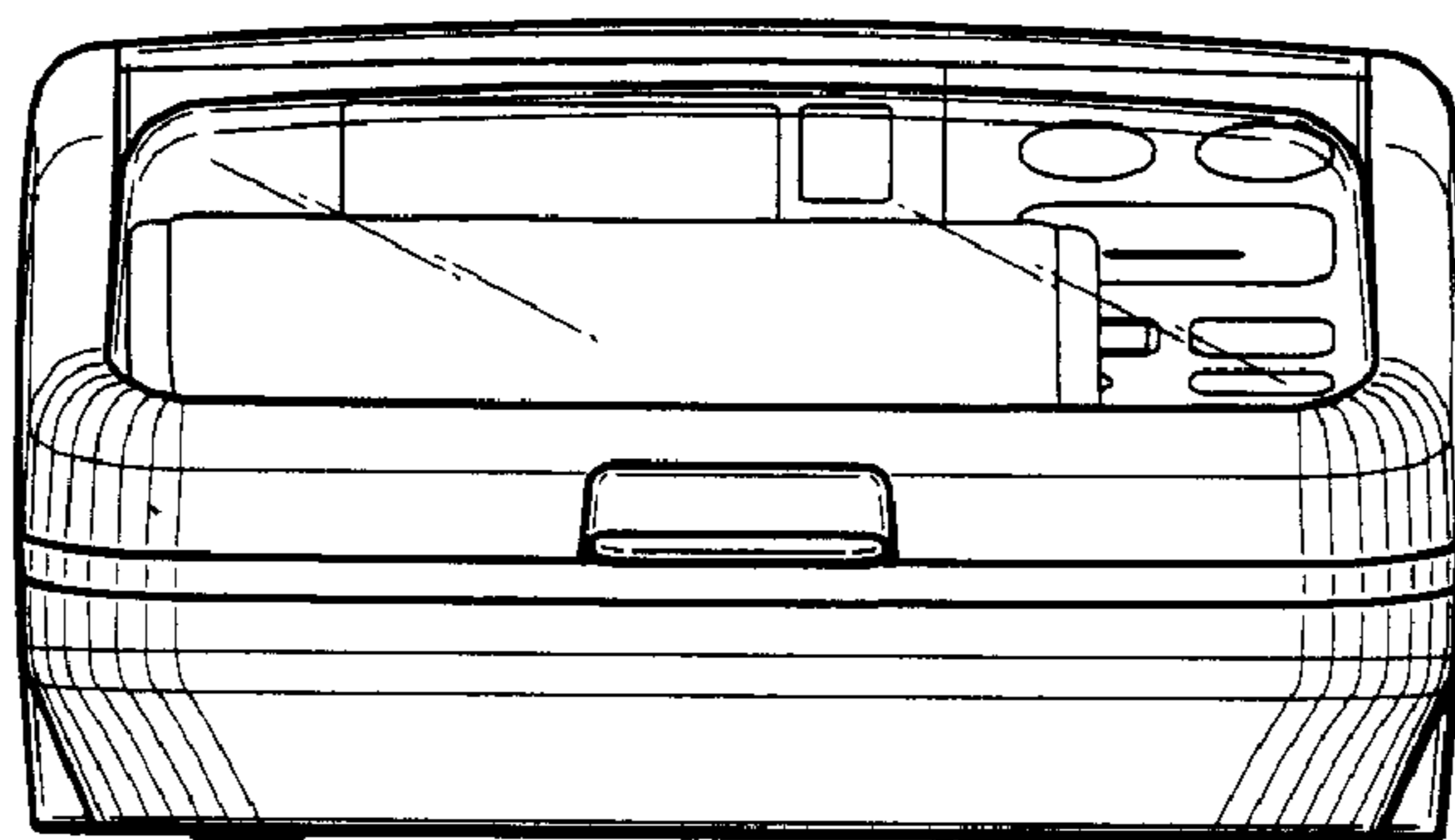


Fig. 5

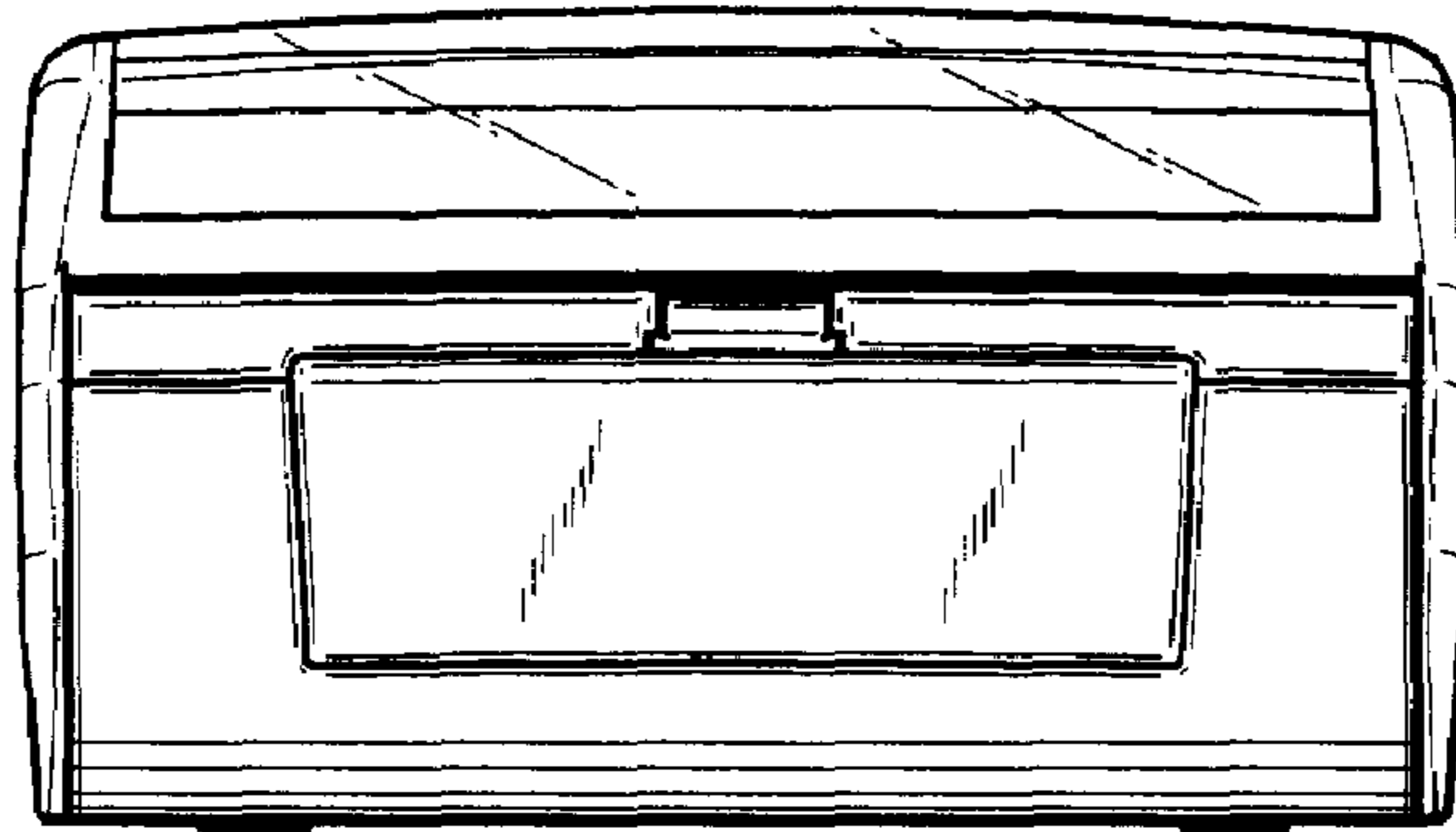


Fig. 6

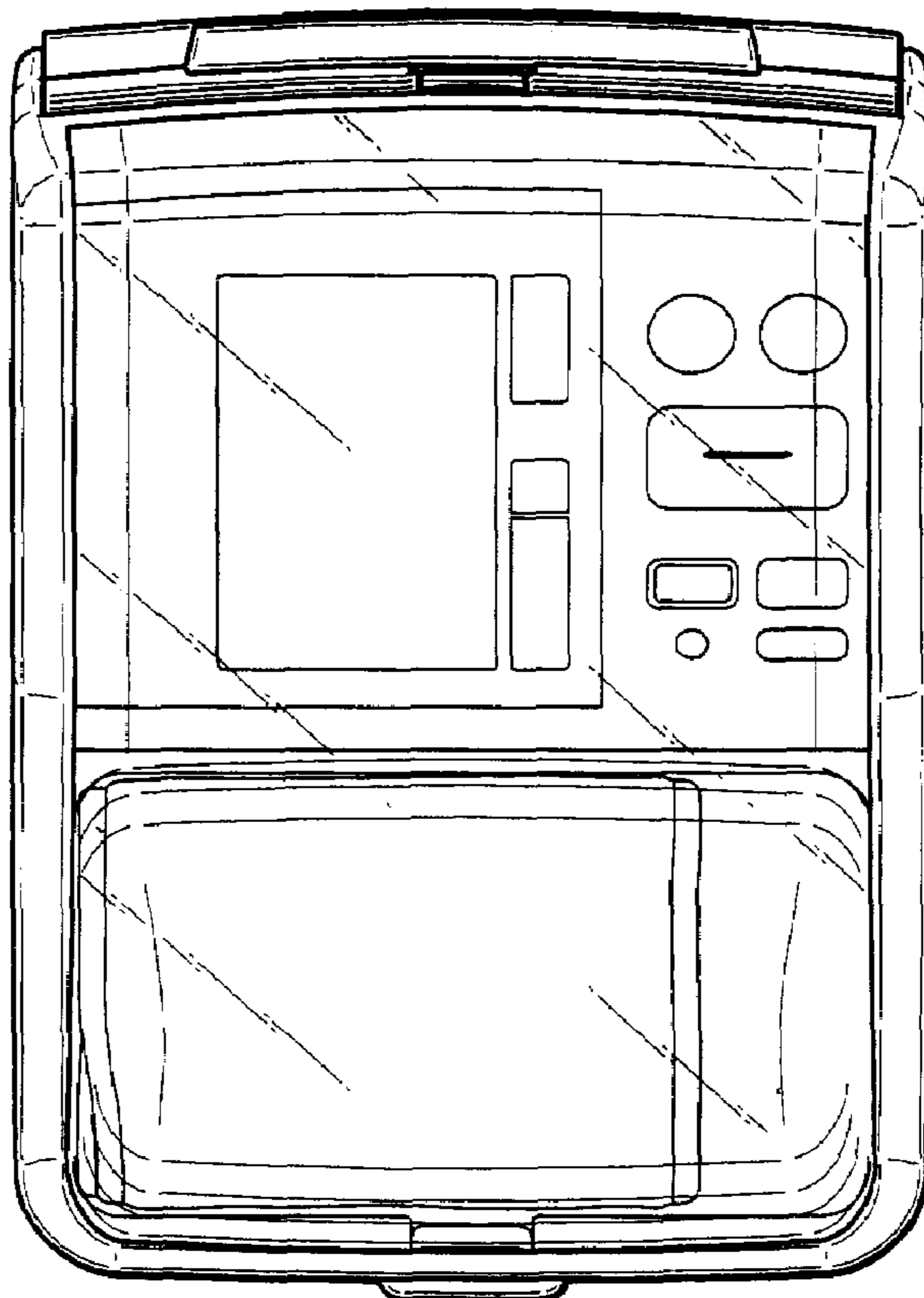


Fig. 7

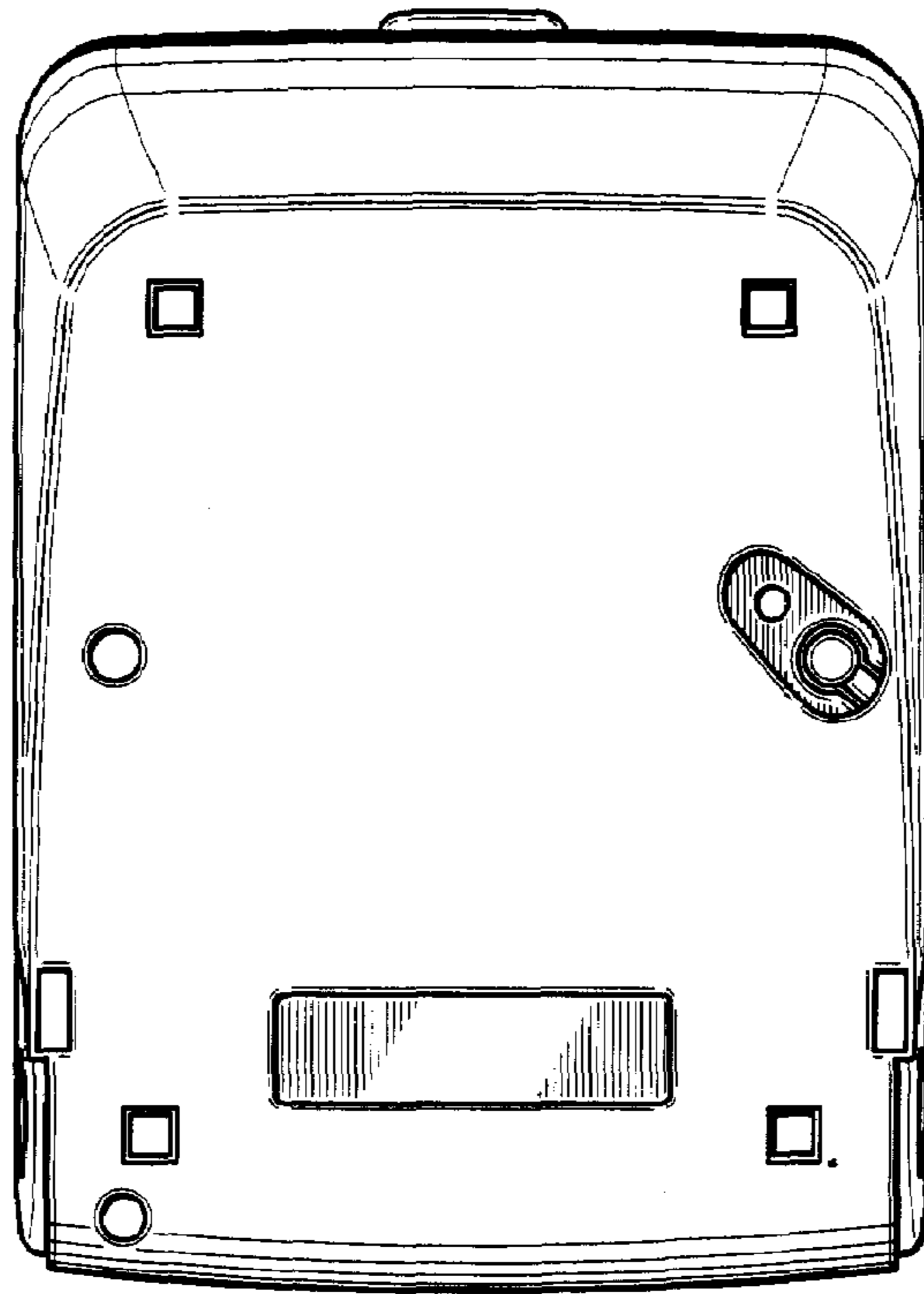


Fig. 8

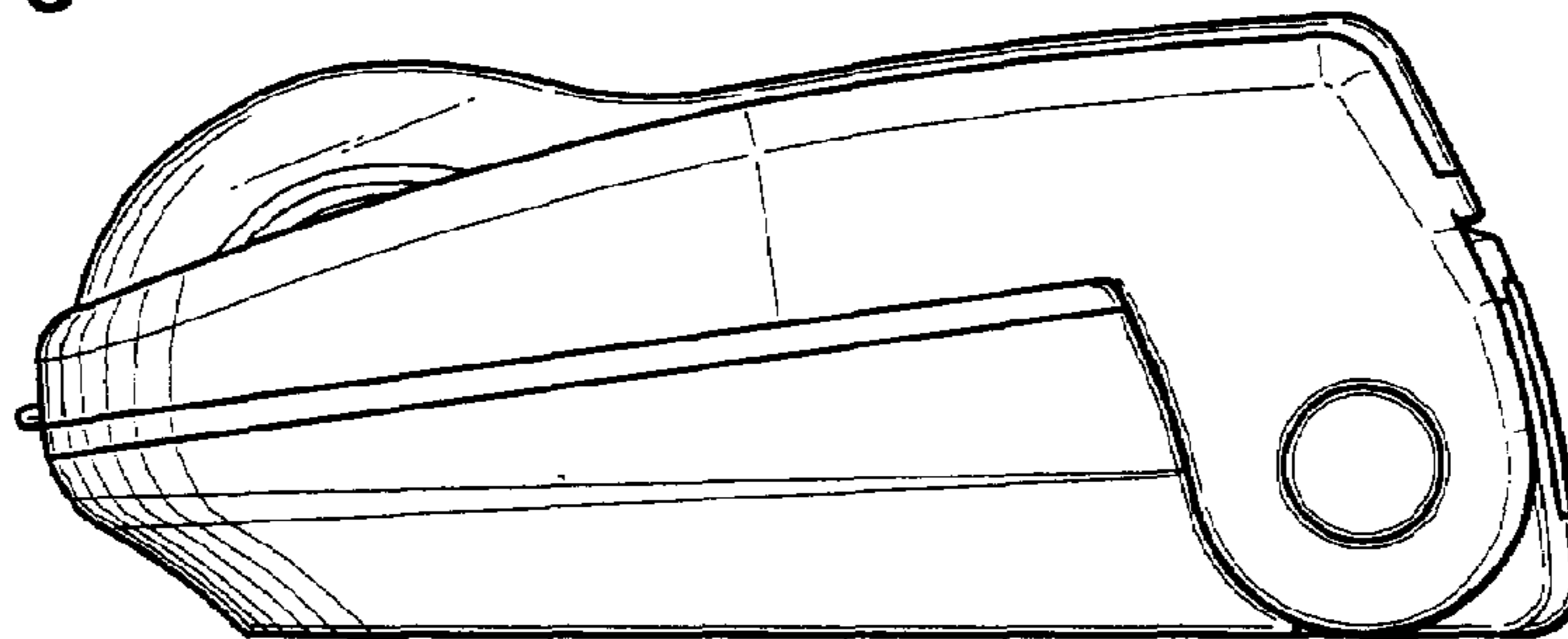


Fig. 9

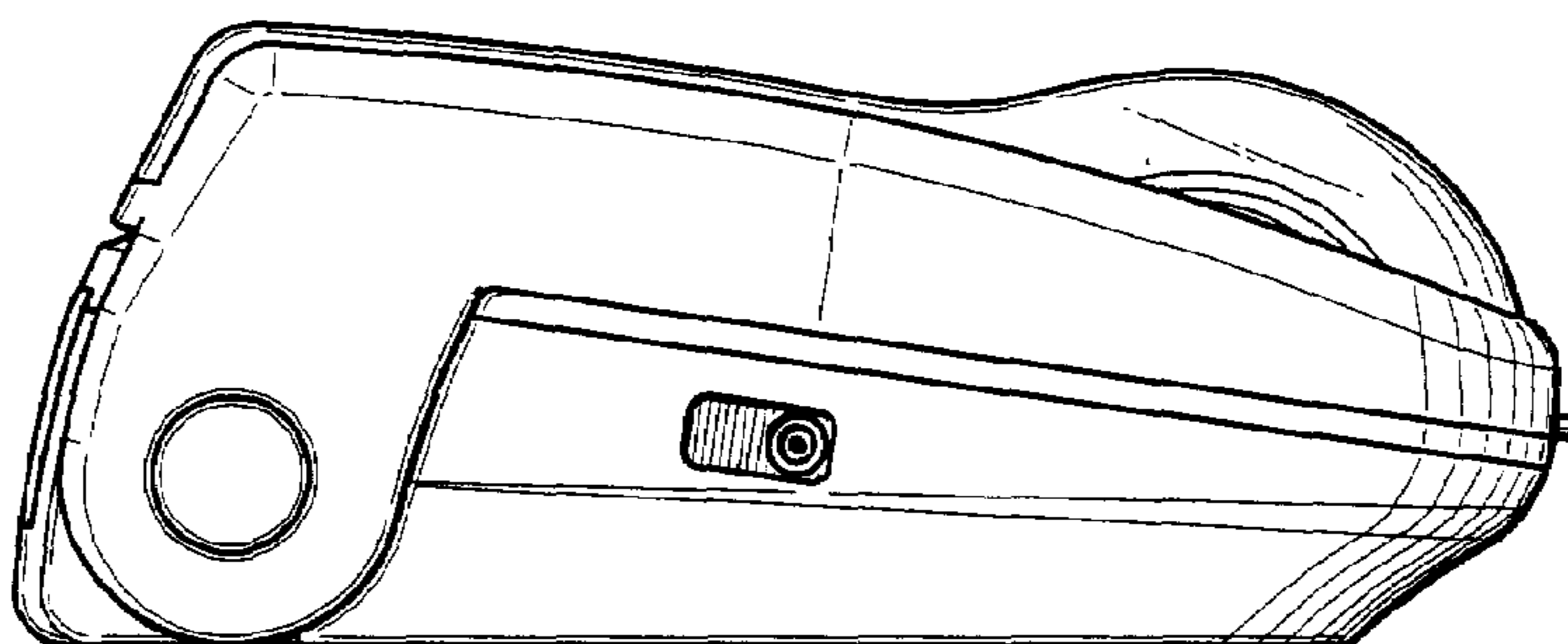


Fig. 10

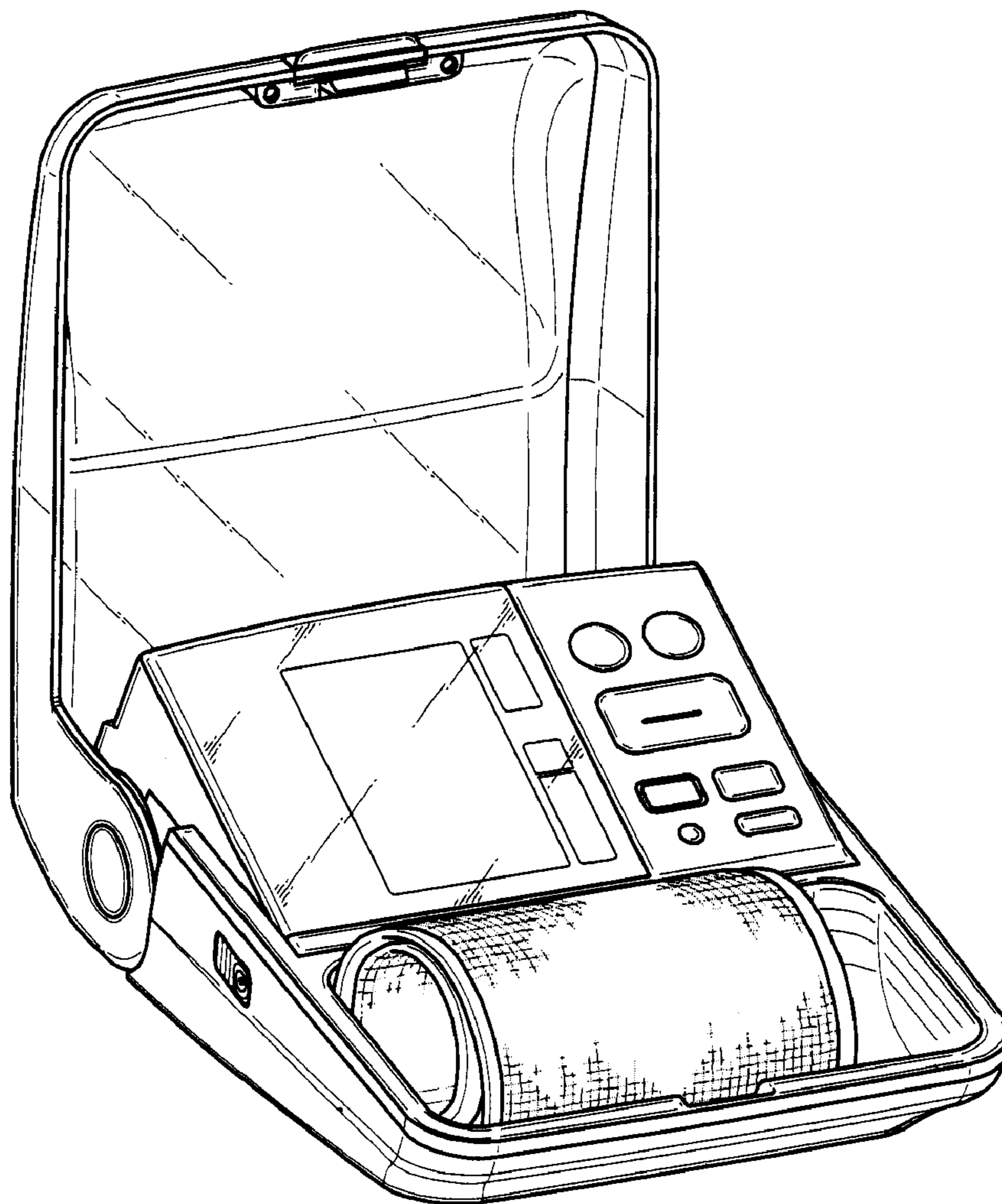


Fig. 11

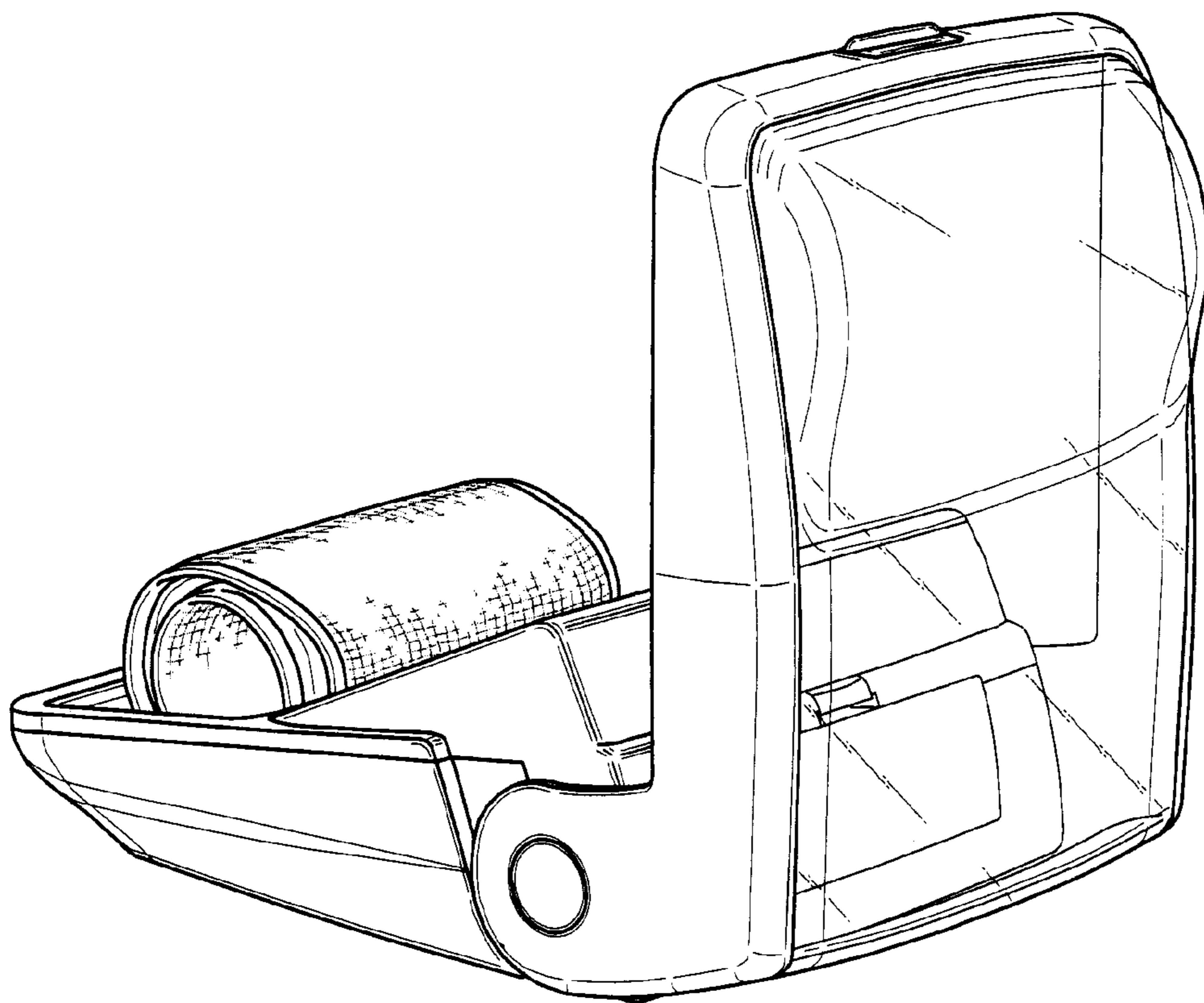


Fig. 12

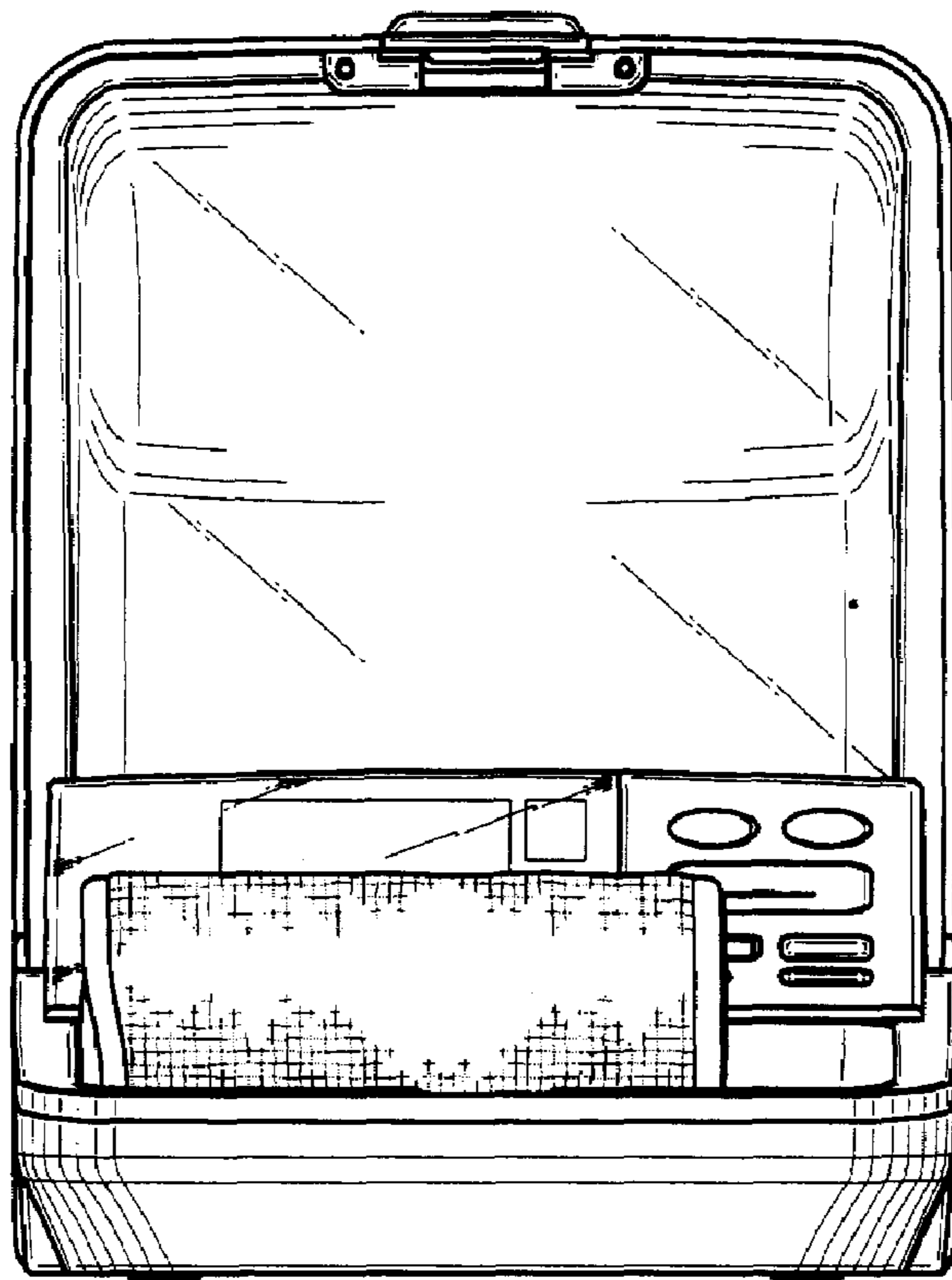


Fig. 13

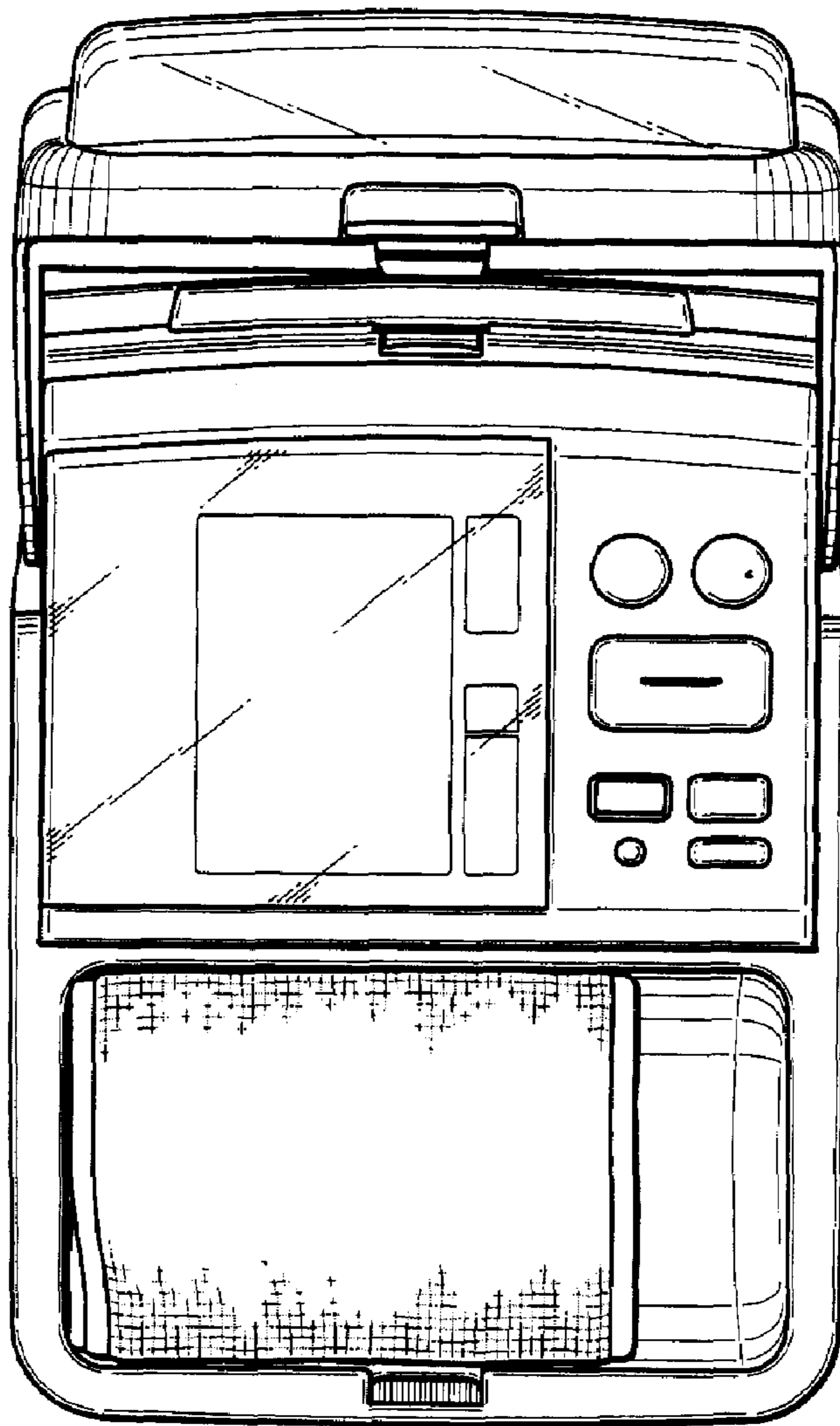


Fig. 14

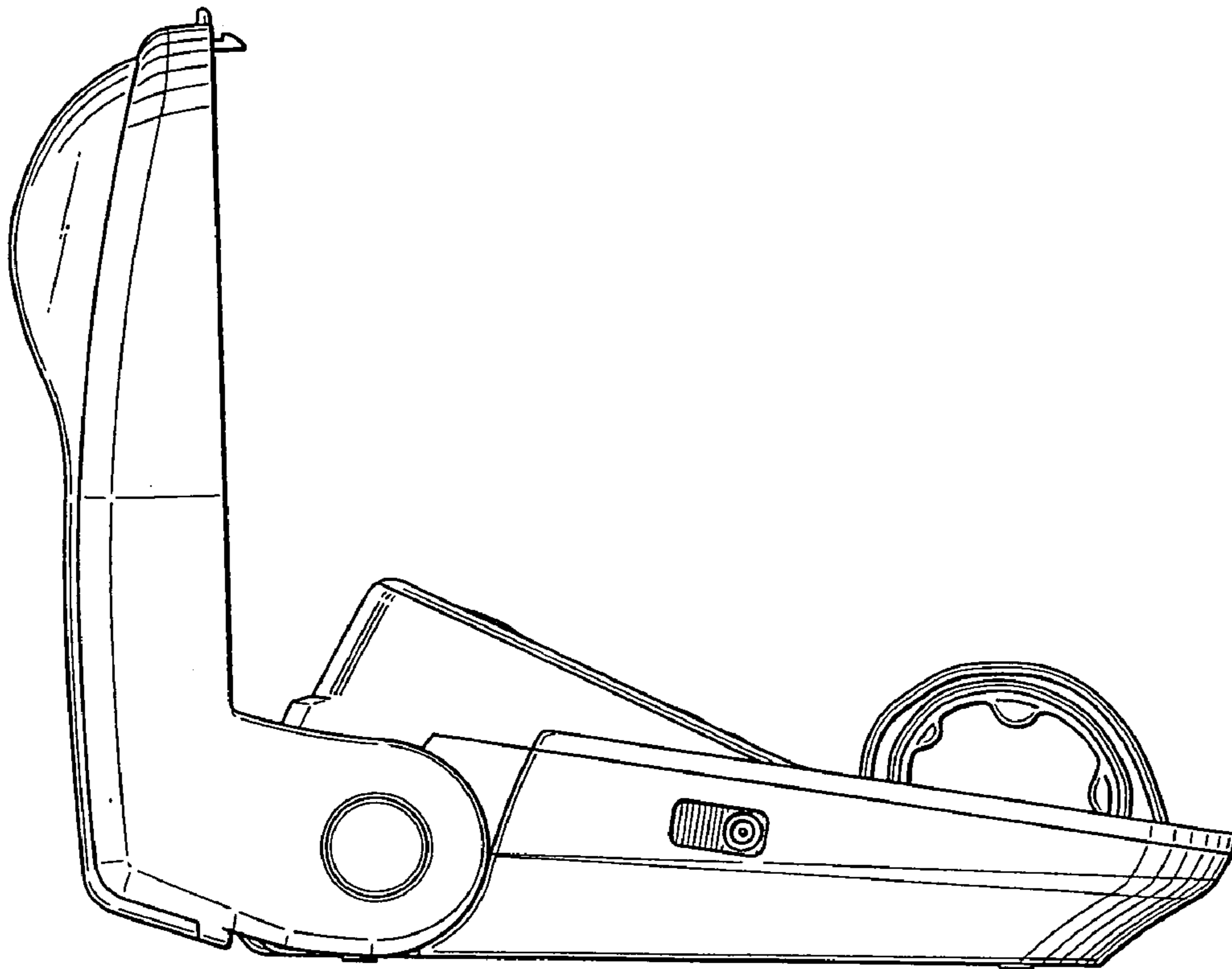


Fig. 15

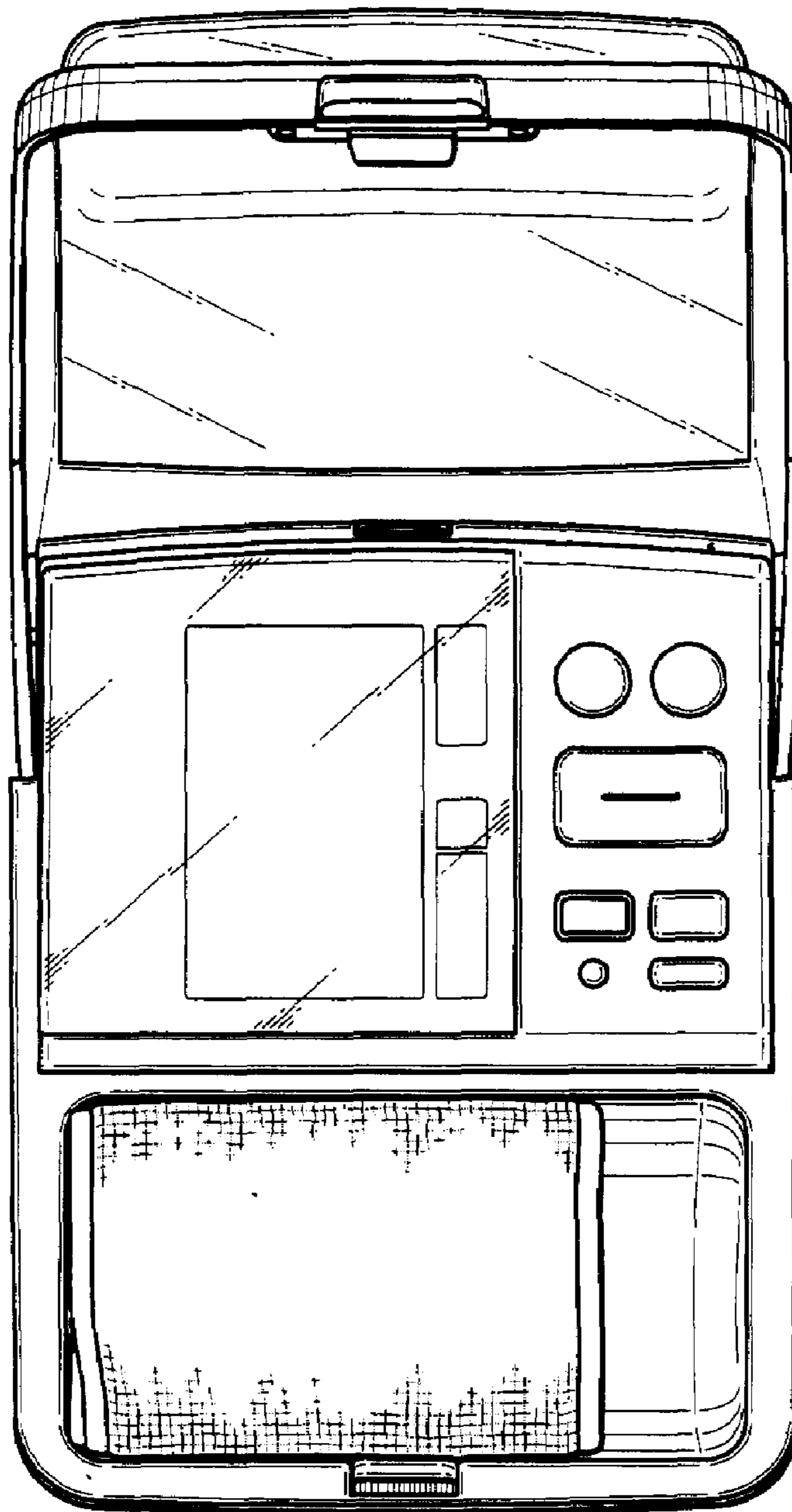


Fig. 16

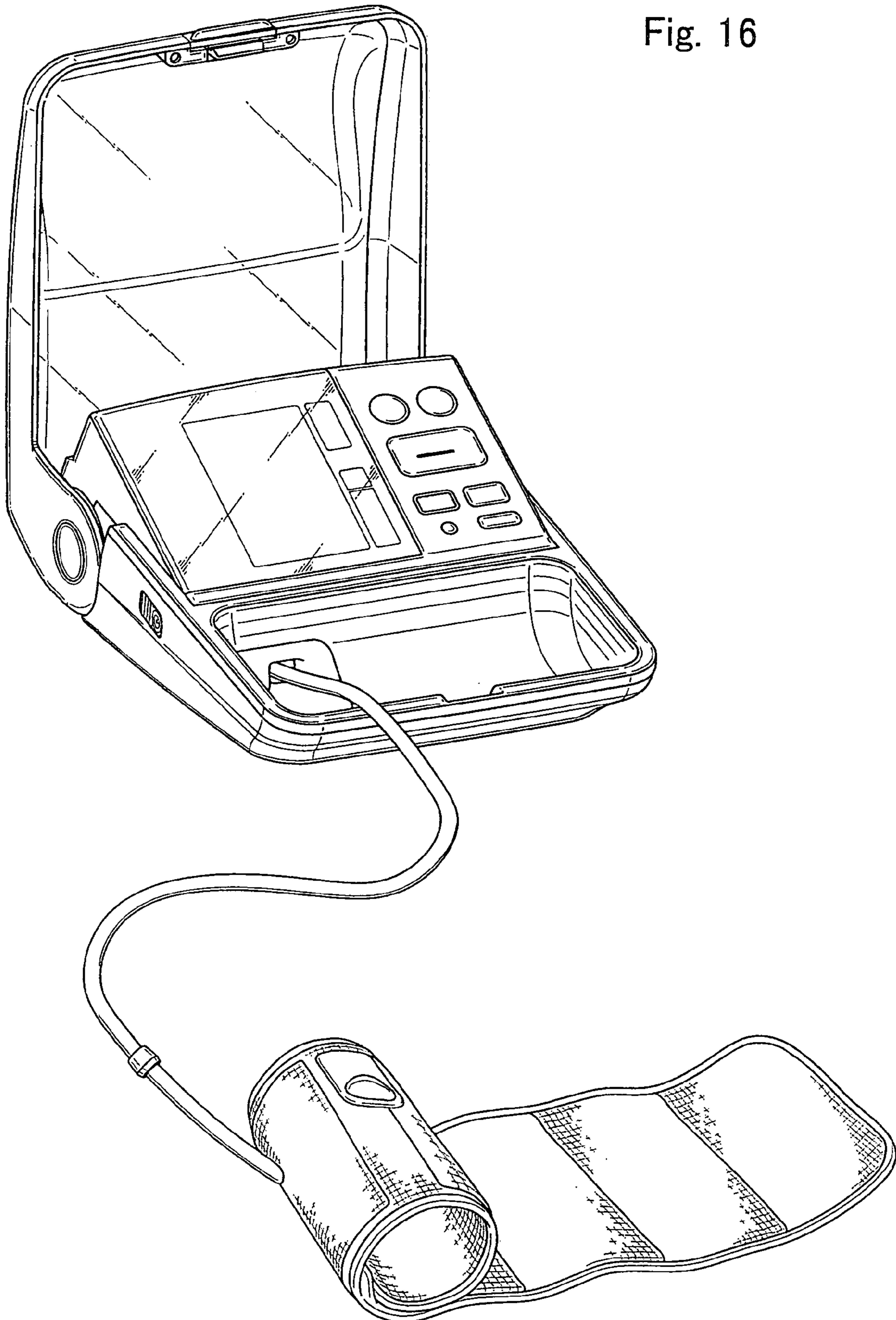


Fig. 17

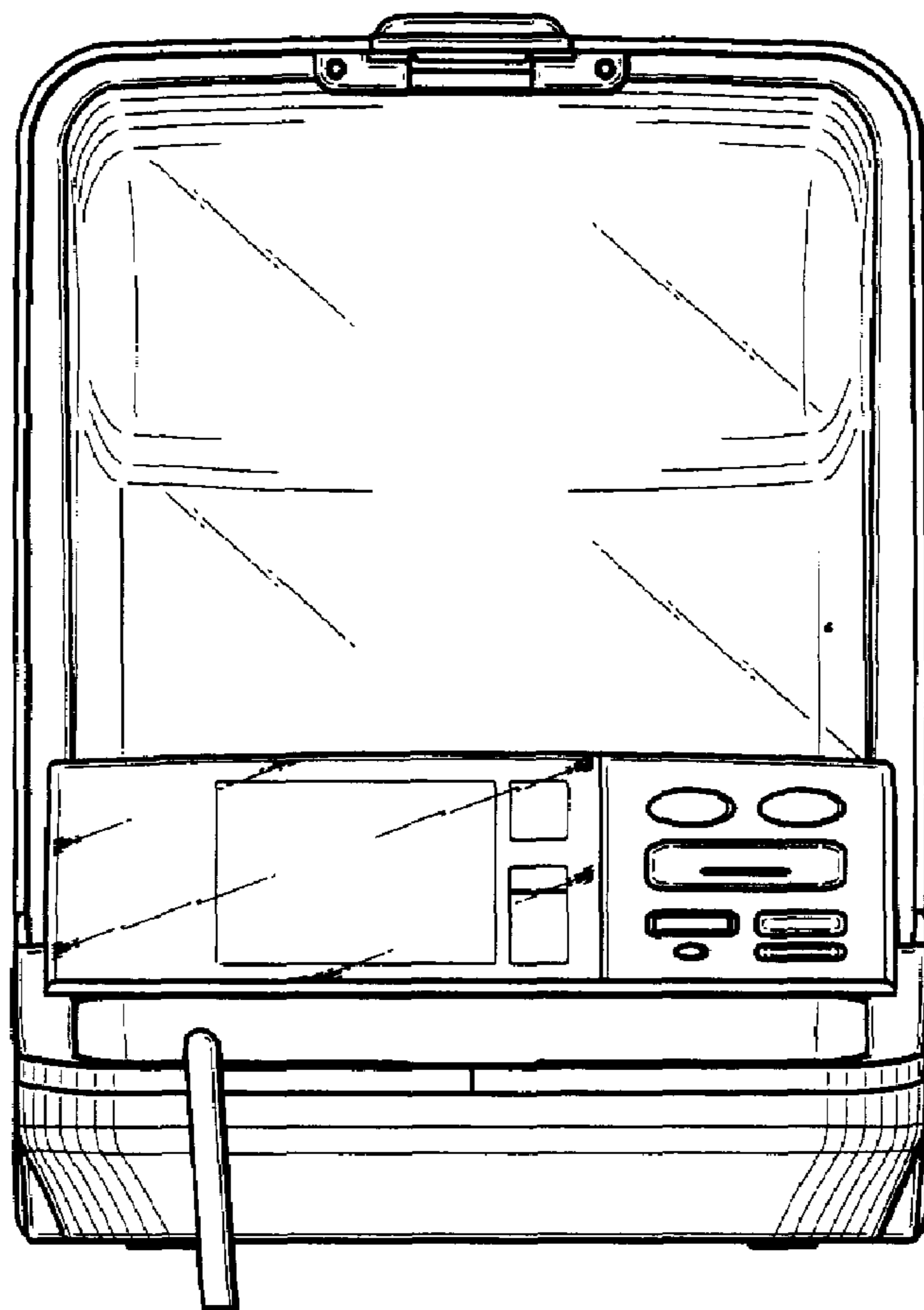


Fig. 18

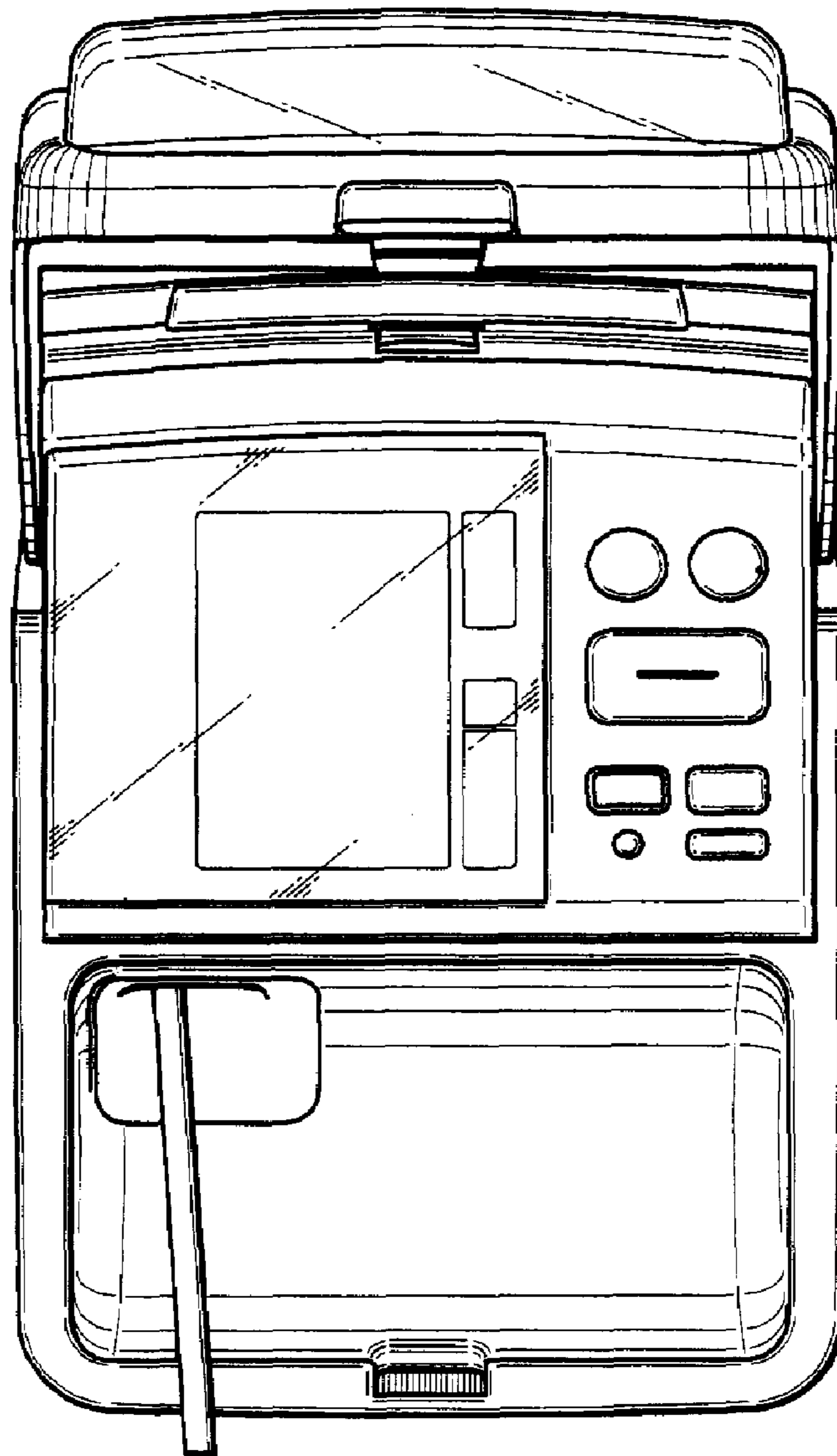


Fig. 19

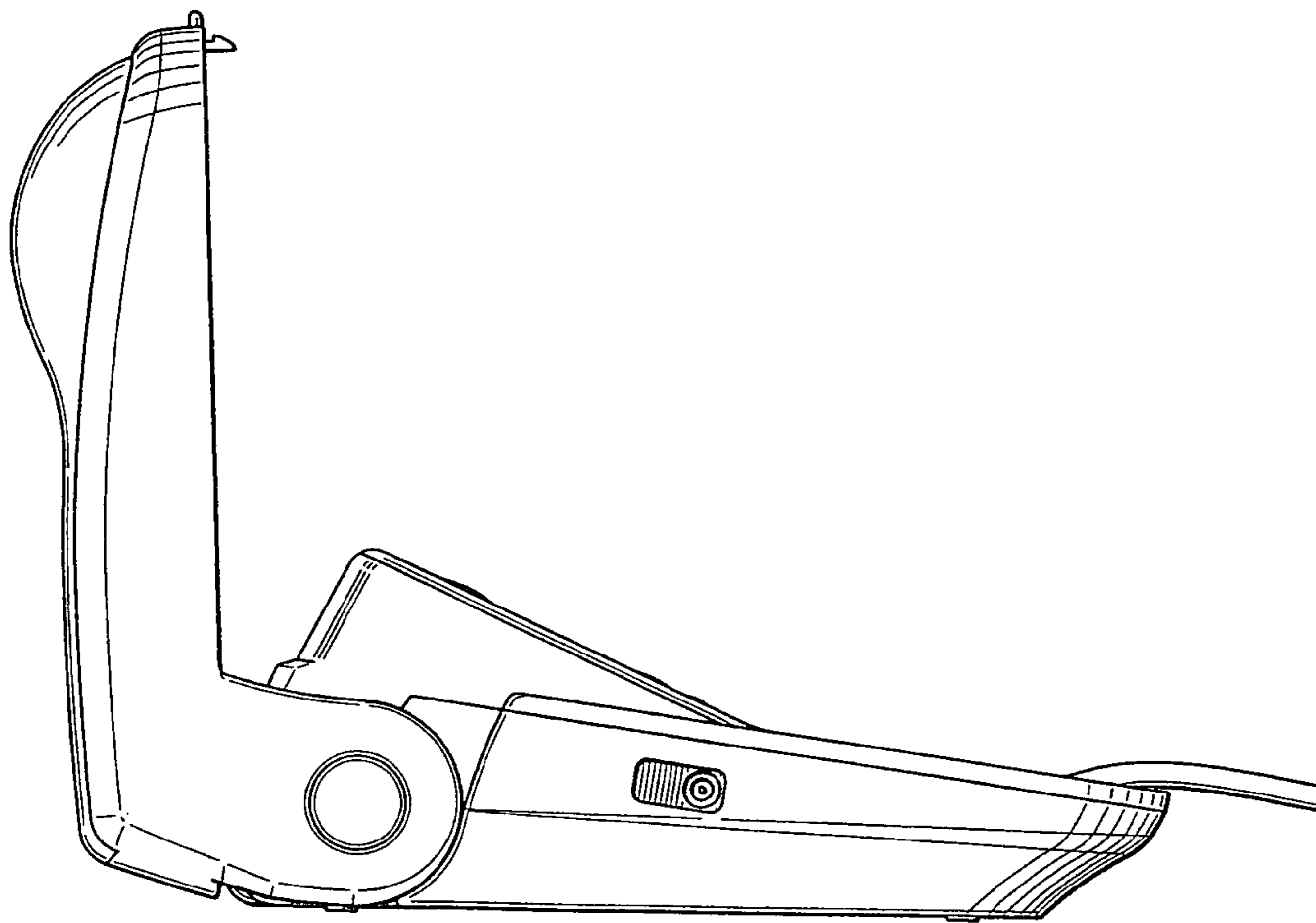


Fig. 20

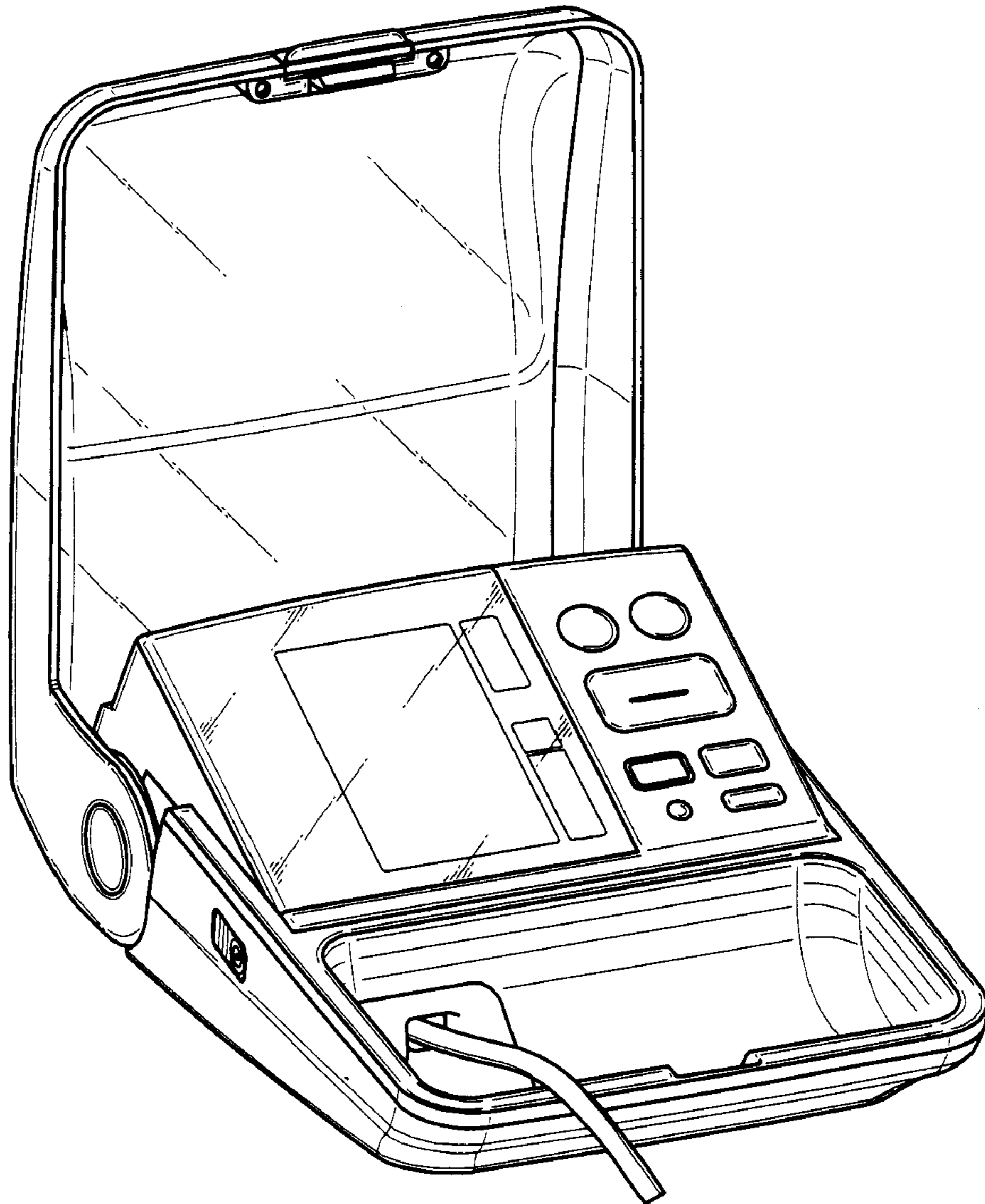


Fig. 21

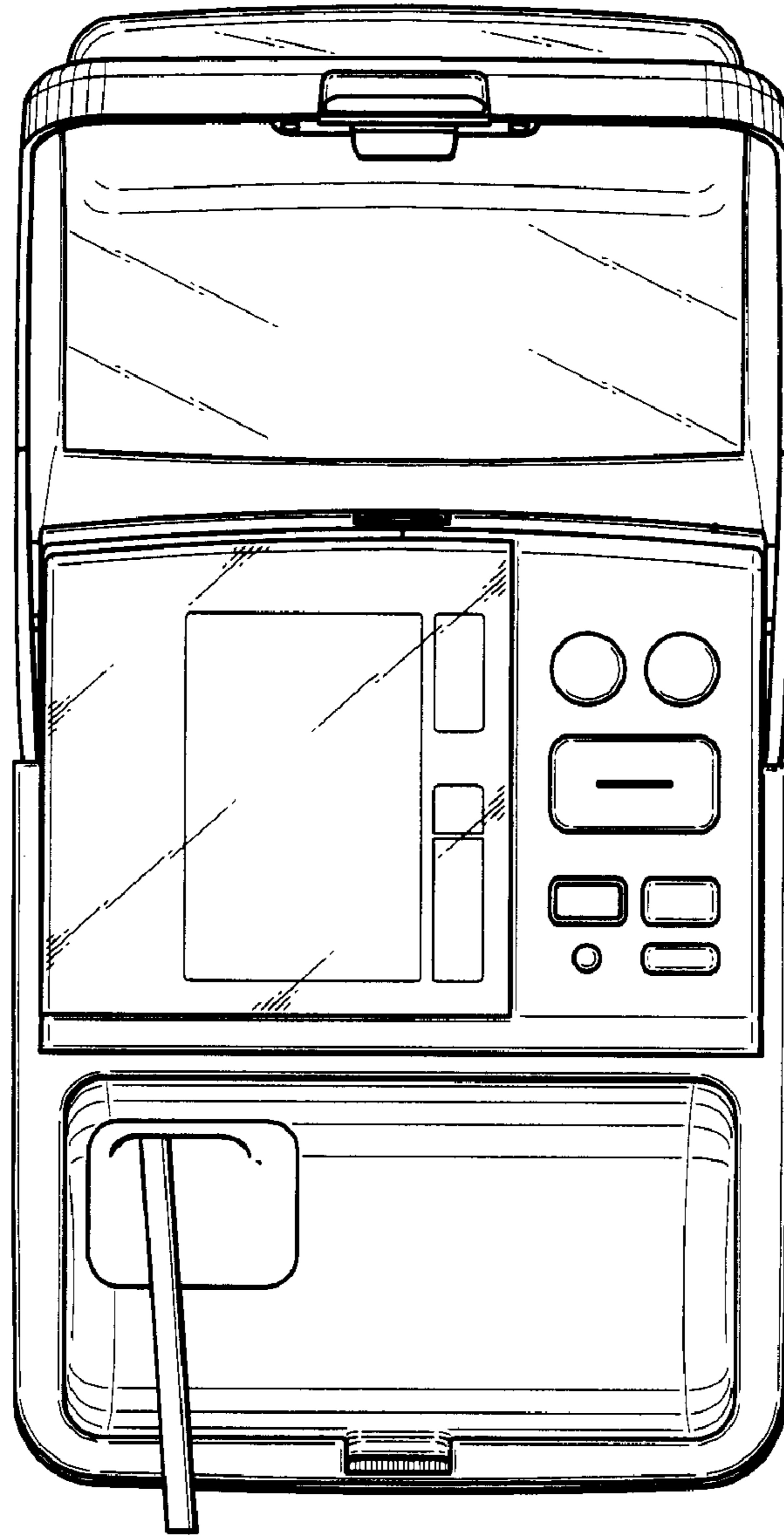


Fig. 22

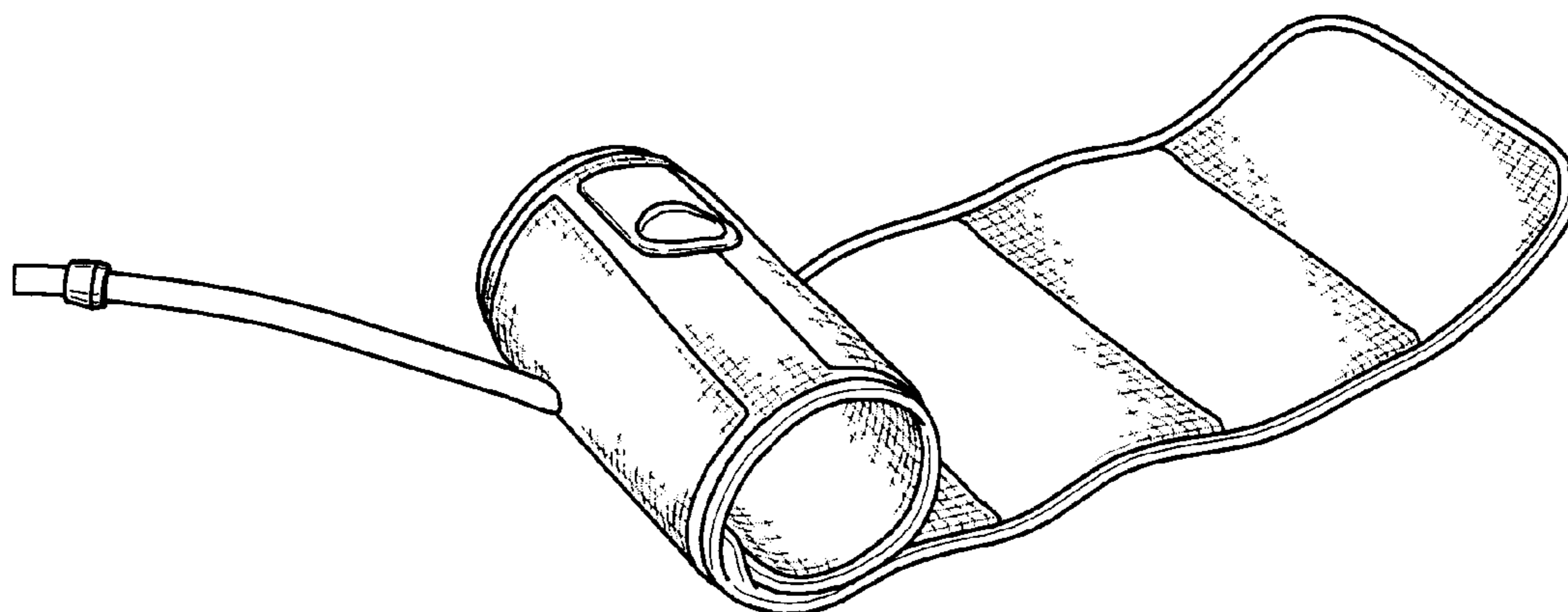
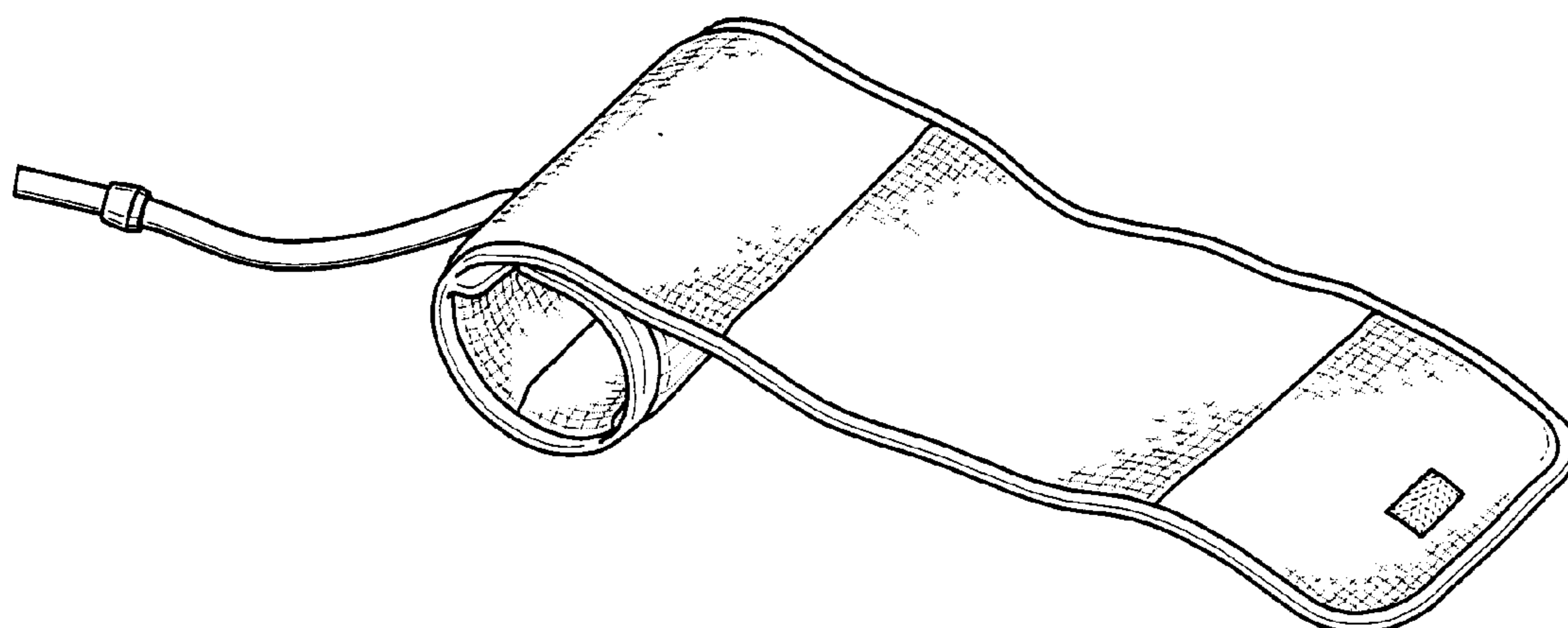


Fig. 23



UNITED STATES PATENT AND TRADEMARK OFFICE
CERTIFICATE OF CORRECTION

PATENT NO. : Des. 552,240 S
APPLICATION NO. : 29/253641
DATED : October 2, 2007
INVENTOR(S) : Hiroshi Kishimoto et al.

Page 1 of 1

It is certified that error appears in the above-identified patent and that said Letters Patent is hereby corrected as shown below:

Please delete the paragraph appearing on page 2, column 2 after FIG. 23 Text,

The broken lines shown in the drawings are for illustrative purposes only and form no part of the claimed design.

Signed and Sealed this

Thirteenth Day of May, 2008

A handwritten signature in black ink that reads "Jon W. Dudas". The signature is written in a cursive style with a large, stylized initial "J" and "D".

JON W. DUDAS

Director of the United States Patent and Trademark Office