



US00D552239S

(12) **United States Design Patent** (10) **Patent No.:** **US D552,239 S**
Wolff (45) **Date of Patent:** **** Oct. 2, 2007**

(54) **MEDICAL INSTRUMENT**

(75) Inventor: **Wilhelm Wolff**, Kitzbuehel (AT)

(73) Assignee: **Karl Storz GmbH & Co. KG** (DE)

(**) Term: **14 Years**

(21) Appl. No.: **29/233,551**

(22) Filed: **Jul. 6, 2005**

(30) **Foreign Application Priority Data**

Jan. 11, 2005 (EM) 000276951

(51) **LOC (8) Cl.** **24-01**

(52) **U.S. Cl.** **D24/147; 606/84**

(58) **Field of Classification Search** D24/140-147,
D24/133, 152, 154, 182, 176, 177, 111, 158,
D24/108, 112, 127, 137, 138, 156; 606/189,
606/188, 84, 79, 1; 600/101, 121, 122, 125,
600/130, 131, 136, 137; D28/58; D32/42
See application file for complete search history.

(56) **References Cited**

U.S. PATENT DOCUMENTS

3,803,667 A * 4/1974 Rose 606/1
4,600,005 A * 7/1986 Hendel 606/84
4,697,586 A 10/1987 Gazale 128/92
D295,317 S * 4/1988 Gazale D24/147
D295,318 S * 4/1988 Gazale D24/147
4,881,537 A * 11/1989 Henning 606/84
D364,717 S * 11/1995 Trapp D32/42
5,681,314 A * 10/1997 Derouin et al. 606/79

6,110,175 A * 8/2000 Scholl 606/79
6,126,664 A * 10/2000 Troxell et al. 606/84
6,174,311 B1 1/2001 Branch et al. 606/61
7,060,072 B2 * 6/2006 Wolff et al. 606/84

FOREIGN PATENT DOCUMENTS

DE 199 01 047 A1 7/2000
EP 0 780 080 4/1996
WO WO 91/13536 9/1991

* cited by examiner

Primary Examiner—Ian Simmons

Assistant Examiner—Charles Hanson

(74) *Attorney, Agent, or Firm*—St. Onge Steward Johnston
& Reens LLC

(57) **CLAIM**

The ornamental design for a medical instrument, as shown
and described.

DESCRIPTION

FIG. 1 is a front perspective view of a medical instrument
showing my new design;

FIG. 2 is a side elevation thereof;

FIG. 3 is a top plan view thereof;

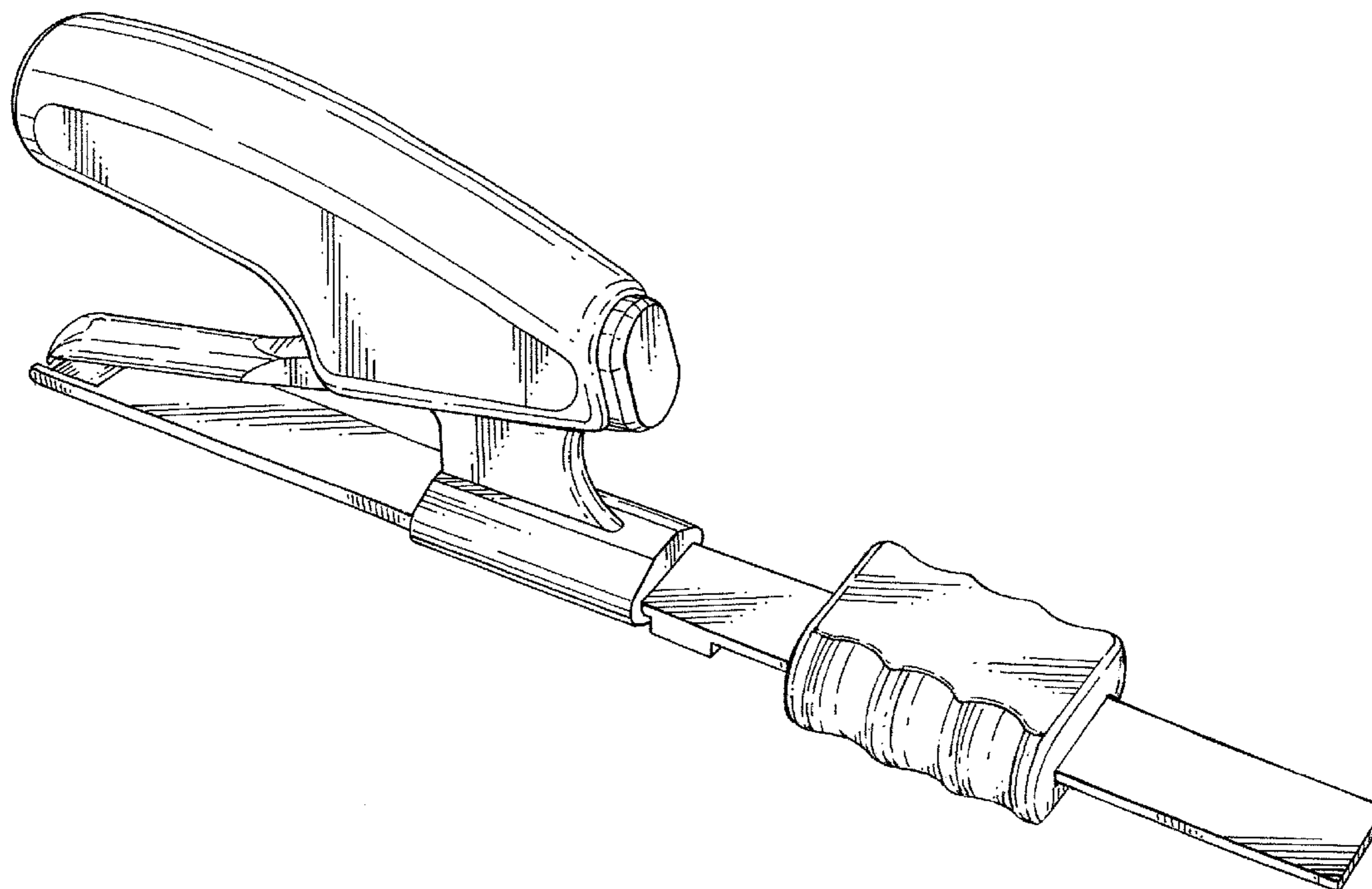
FIG. 4 is a bottom plan view thereof;

FIG. 5 is a front elevation view thereof;

FIG. 6 is rear elevation view thereof; and,

FIG. 7 is another perspective view thereof, with weight
removed for ease of illustration.

1 Claim, 4 Drawing Sheets



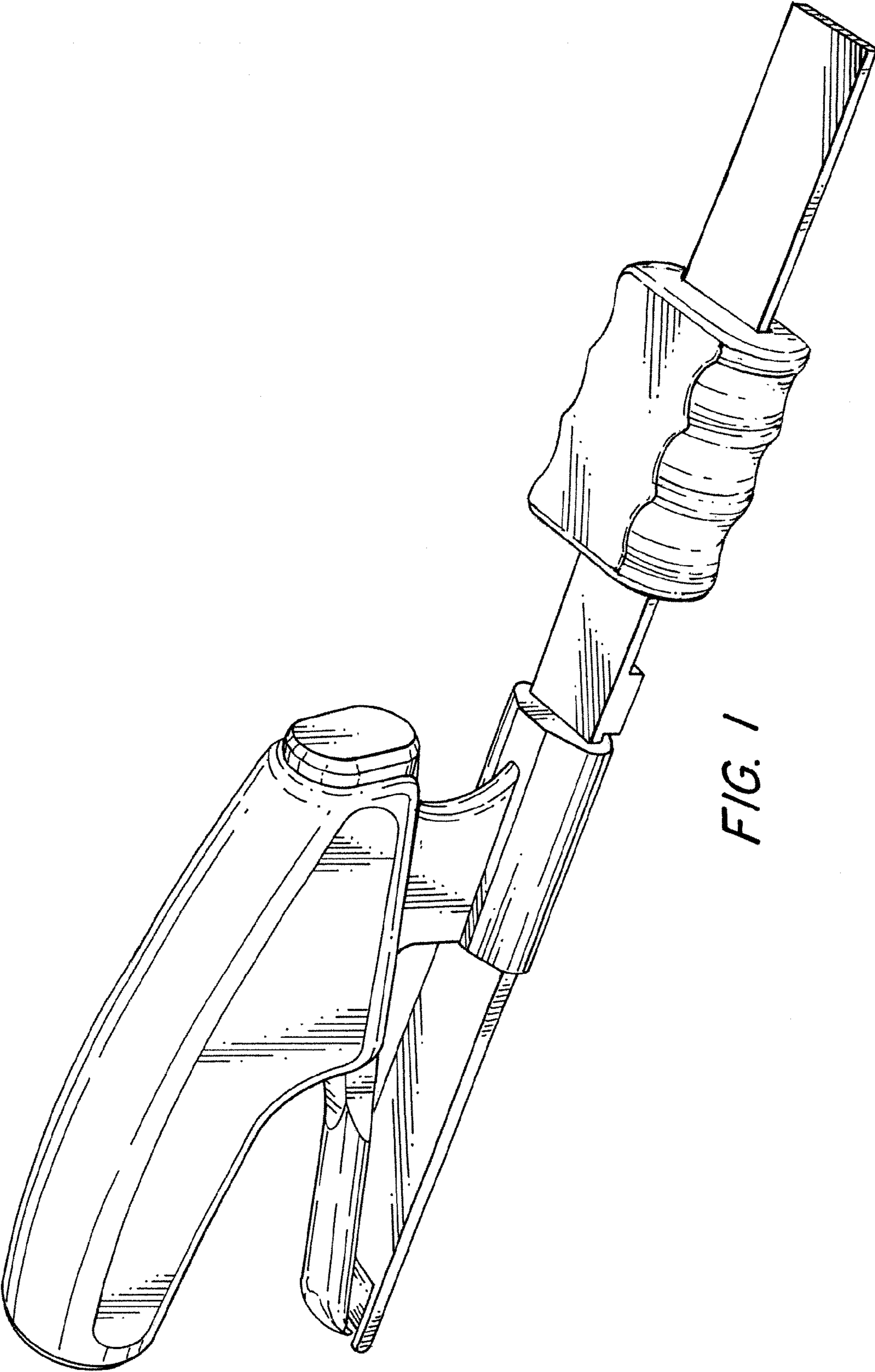


FIG. 1

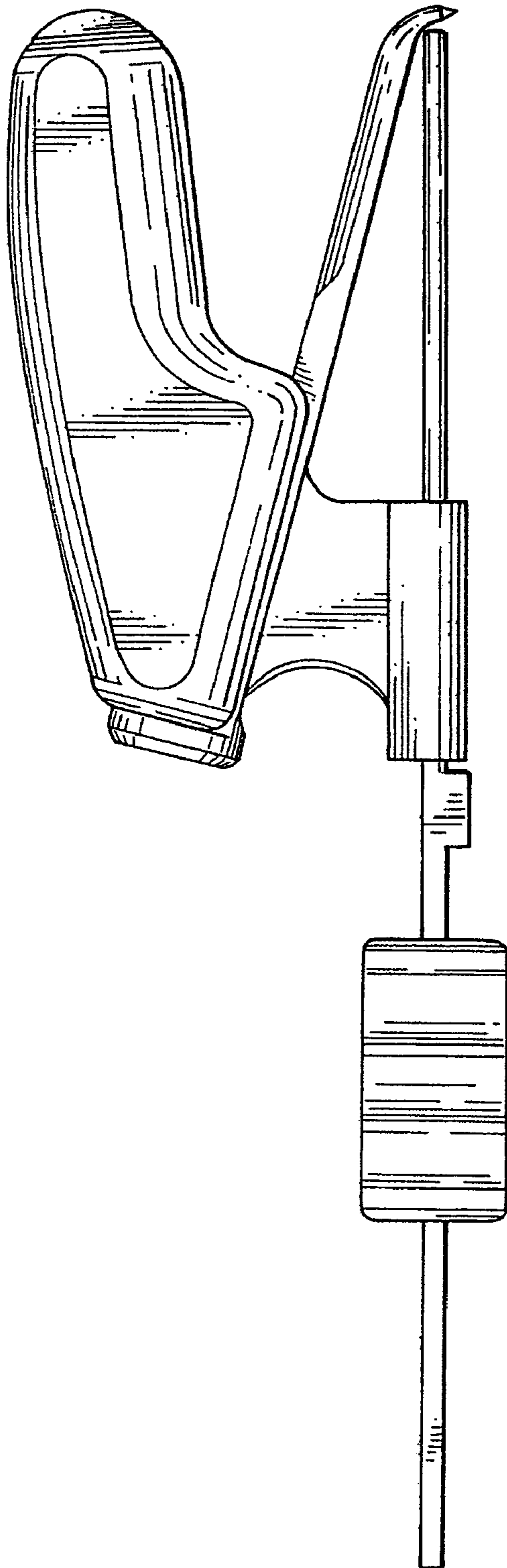


FIG. 2

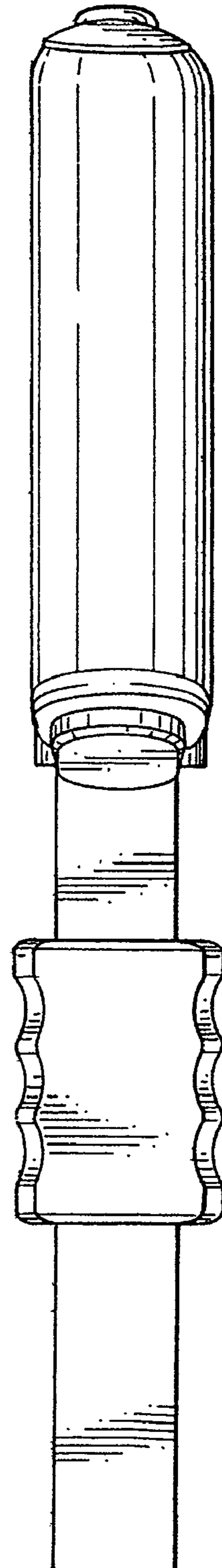


FIG. 3

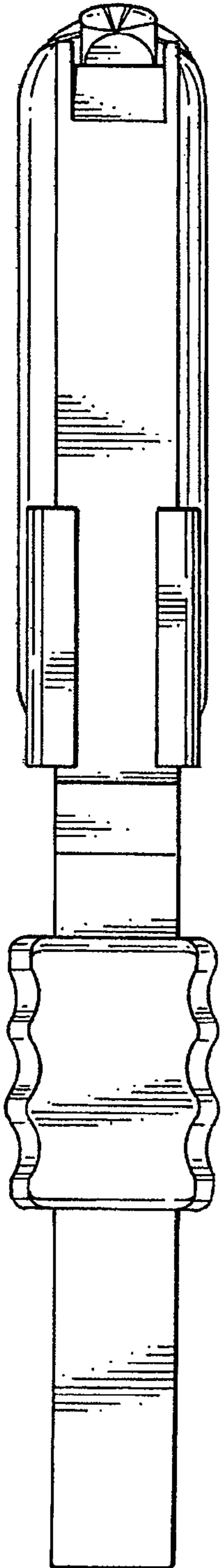


FIG. 4

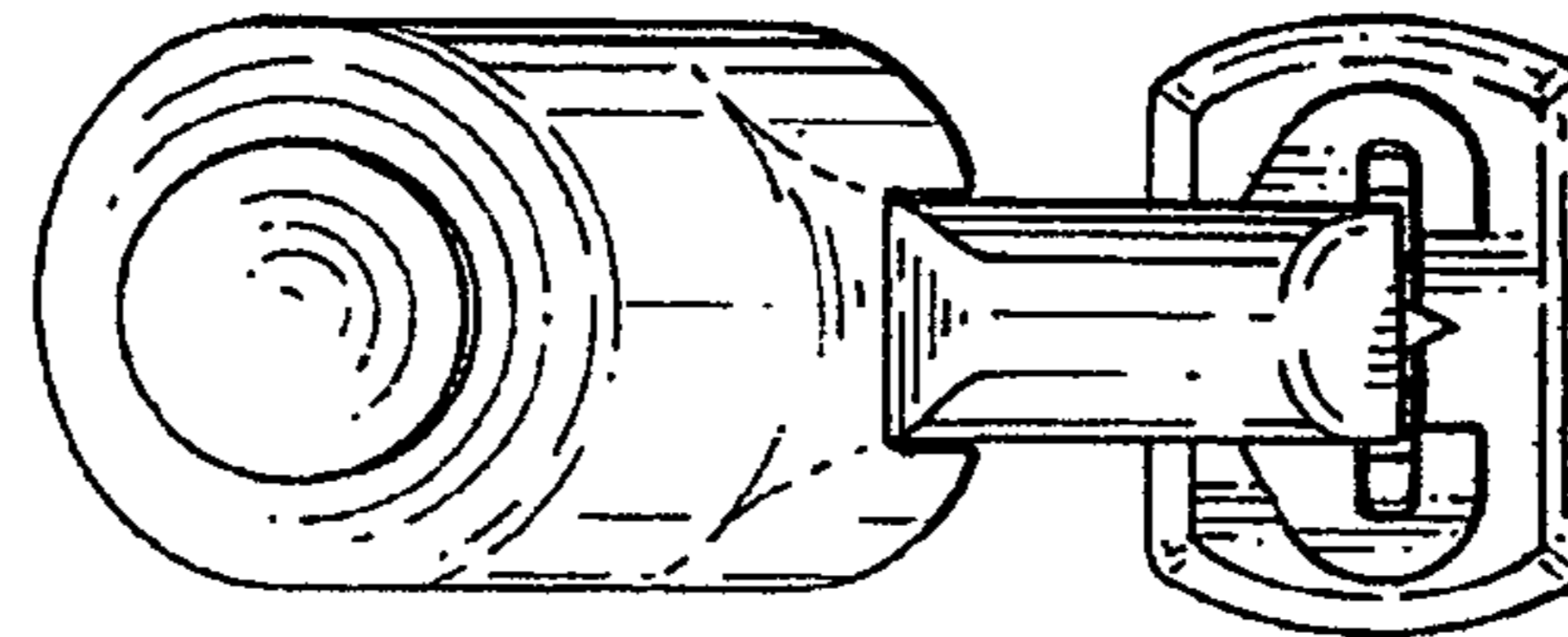


FIG. 6

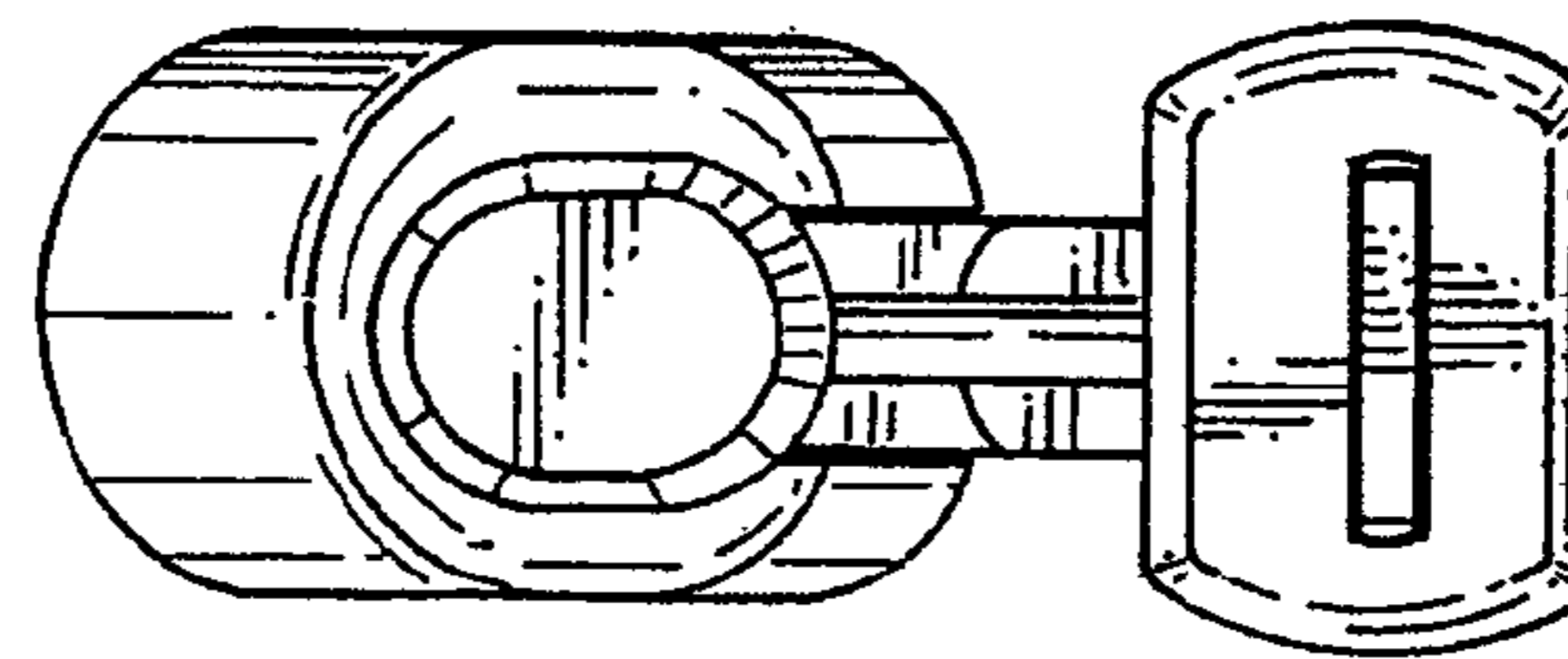


FIG. 5

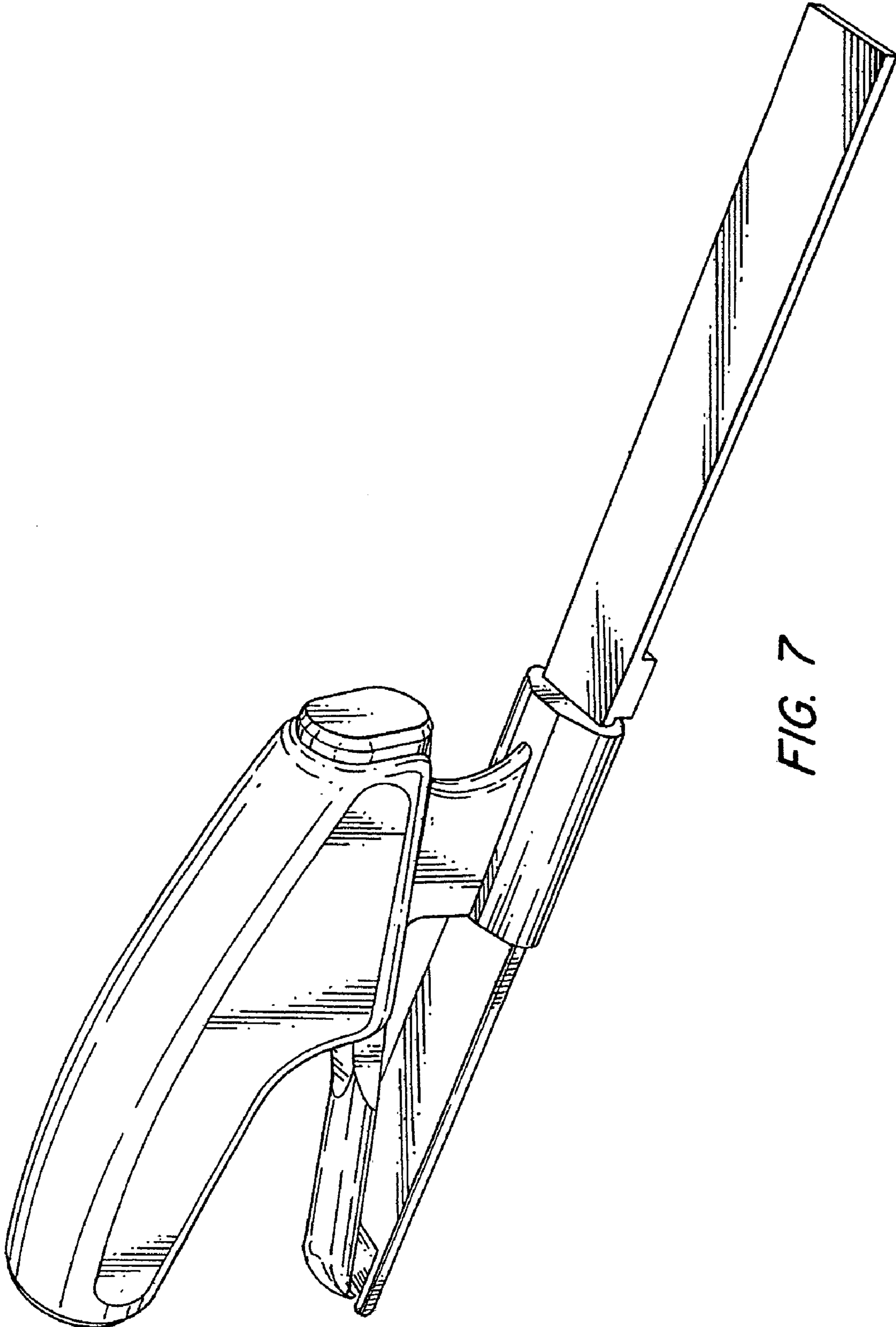


FIG. 7