



US00D552233S

(12) **United States Design Patent**
Trujillo

(10) **Patent No.:** **US D552,233 S**

(45) **Date of Patent:** **** Oct. 2, 2007**

(54) **SNORKEL MASK**

(75) Inventor: **Cesar Trujillo**, 2139 NW. 79th Ave. No.
107, Miami, FL (US) 33122

(73) Assignee: **Cesar Trujillo**, Miami, FL (US)

(**) Term: **14 Years**

(21) Appl. No.: **29/236,620**

(22) Filed: **Aug. 19, 2005**

(51) **LOC (8) Cl.** **29-02**

(52) **U.S. Cl.** **D24/110.5; D24/110.2**

(58) **Field of Classification Search** D24/110.5,
D24/110.4, 110.2, 164; D16/311; D21/801,
D21/804; 128/201.26, 201.27, 205.27, 200.29,
128/201.11

See application file for complete search history.

(56) **References Cited**

U.S. PATENT DOCUMENTS

3,721,236 A	3/1973	Bardehle	
4,562,836 A	1/1986	Perron	
D320,867 S *	10/1991	Kasama D24/110.2
D348,334 S *	6/1994	Faulconer et al. D24/110.5
D350,379 S	9/1994	Kirchner	
D355,691 S	2/1995	Rasocha	
5,402,774 A	4/1995	Tiballi	
5,485,832 A	1/1996	Joffity	
5,524,611 A	6/1996	Fu	

5,606,967 A	3/1997	Wang	
D406,333 S *	3/1999	Garraffa D24/110.5
D414,863 S *	10/1999	Hermansen et al. D24/110.2
6,073,626 A	6/2000	Riffe	
6,302,102 B1	10/2001	Giroux et al.	
6,408,844 B1	6/2002	Lee	
D530,008 S *	10/2006	Mix D24/110.5
2005/0051164 A1	3/2005	Hutter et al.	

* cited by examiner

Primary Examiner—Ian Simmons

Assistant Examiner—Christopher Lee

(74) *Attorney, Agent, or Firm*—DLA Piper US LLP

(57) **CLAIM**

The ornamental design for a snorkel mask, as shown and described herein.

DESCRIPTION

FIG. 1 is a perspective view;

FIG. 2 is a front view;

FIG. 3 is a rear view;

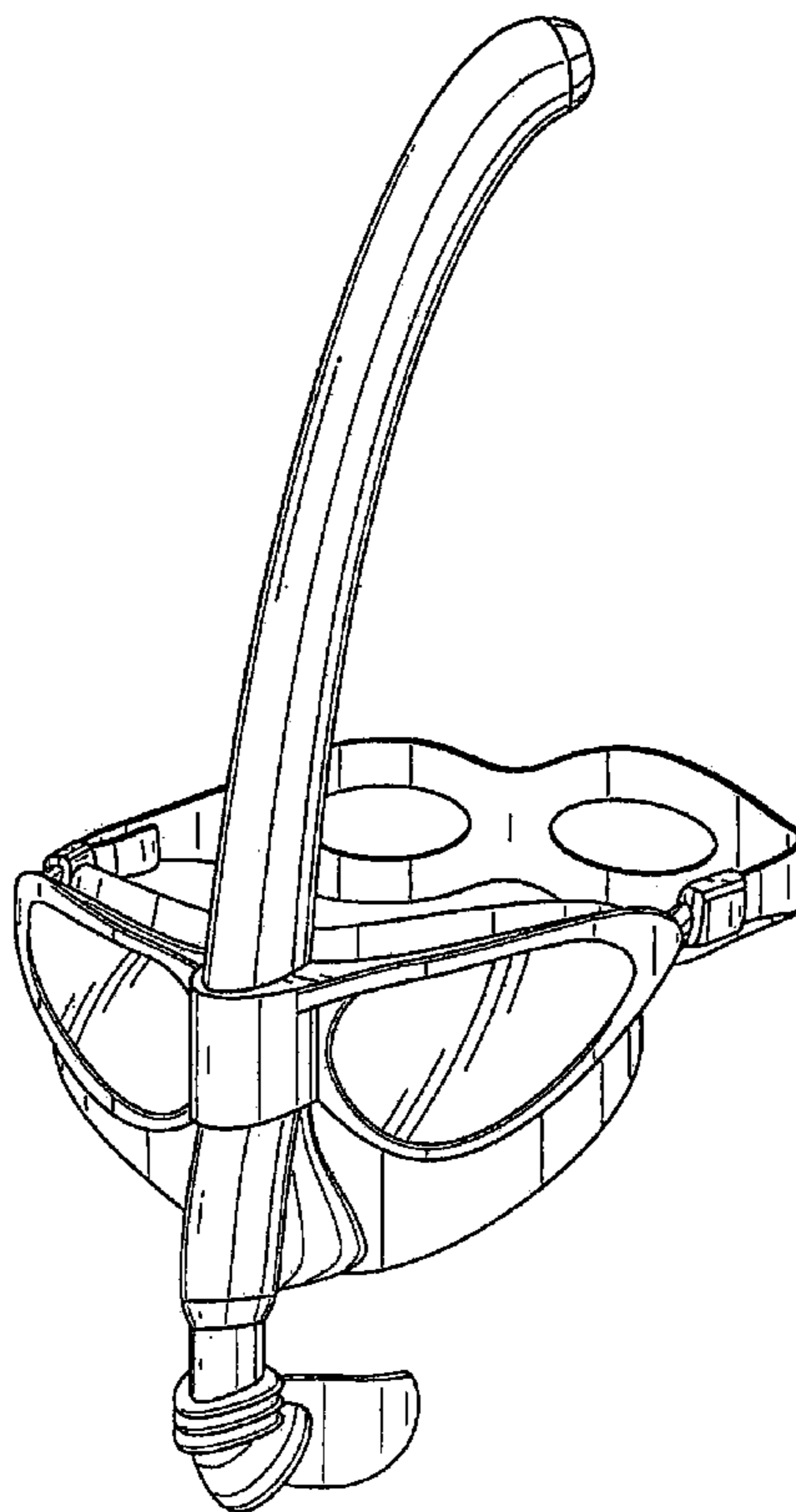
FIG. 4 is a right side view;

FIG. 5 is a left side view;

FIG. 6 is a top view; and,

FIG. 7 is a bottom view.

1 Claim, 7 Drawing Sheets



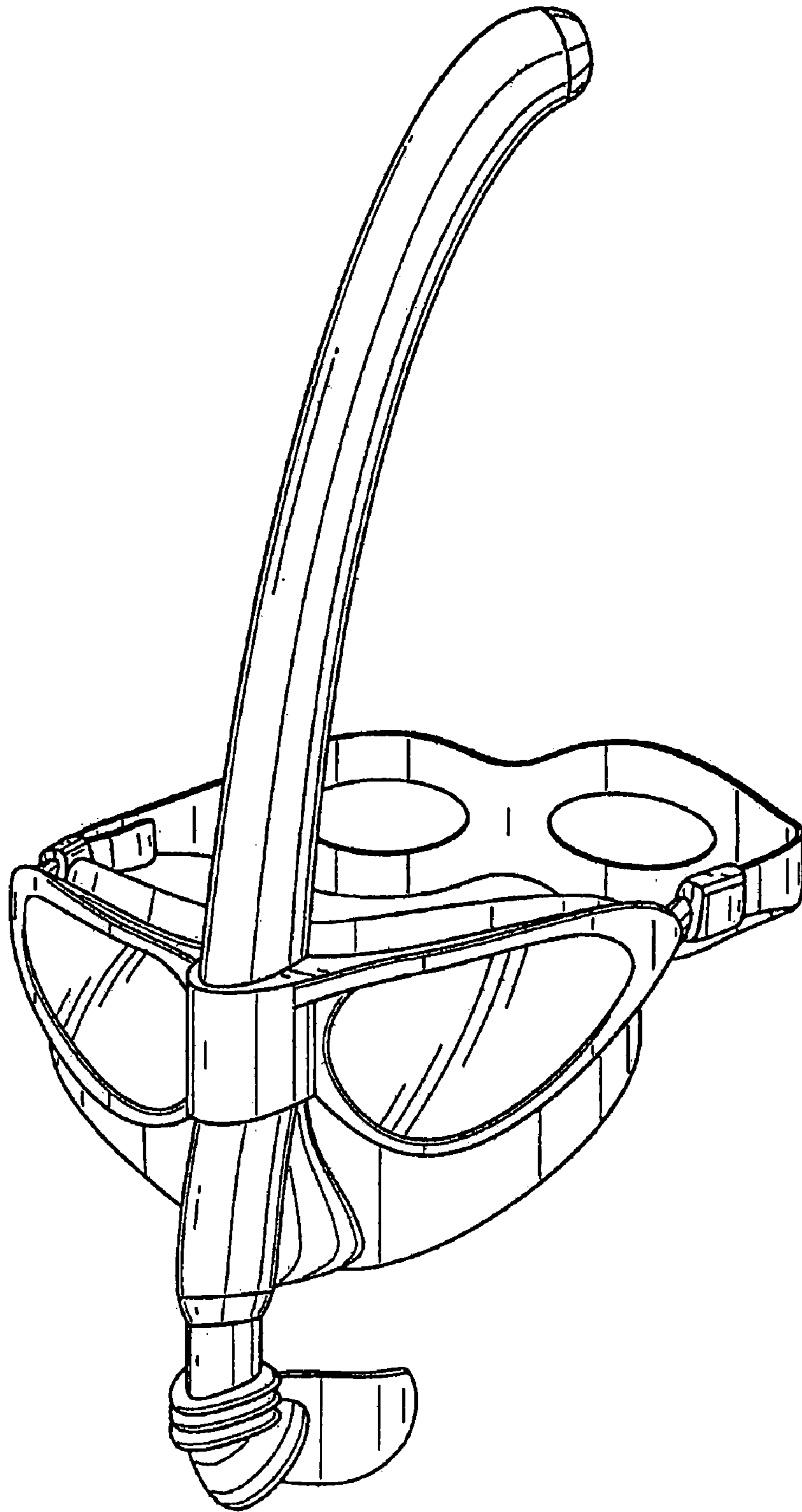


FIG. 1

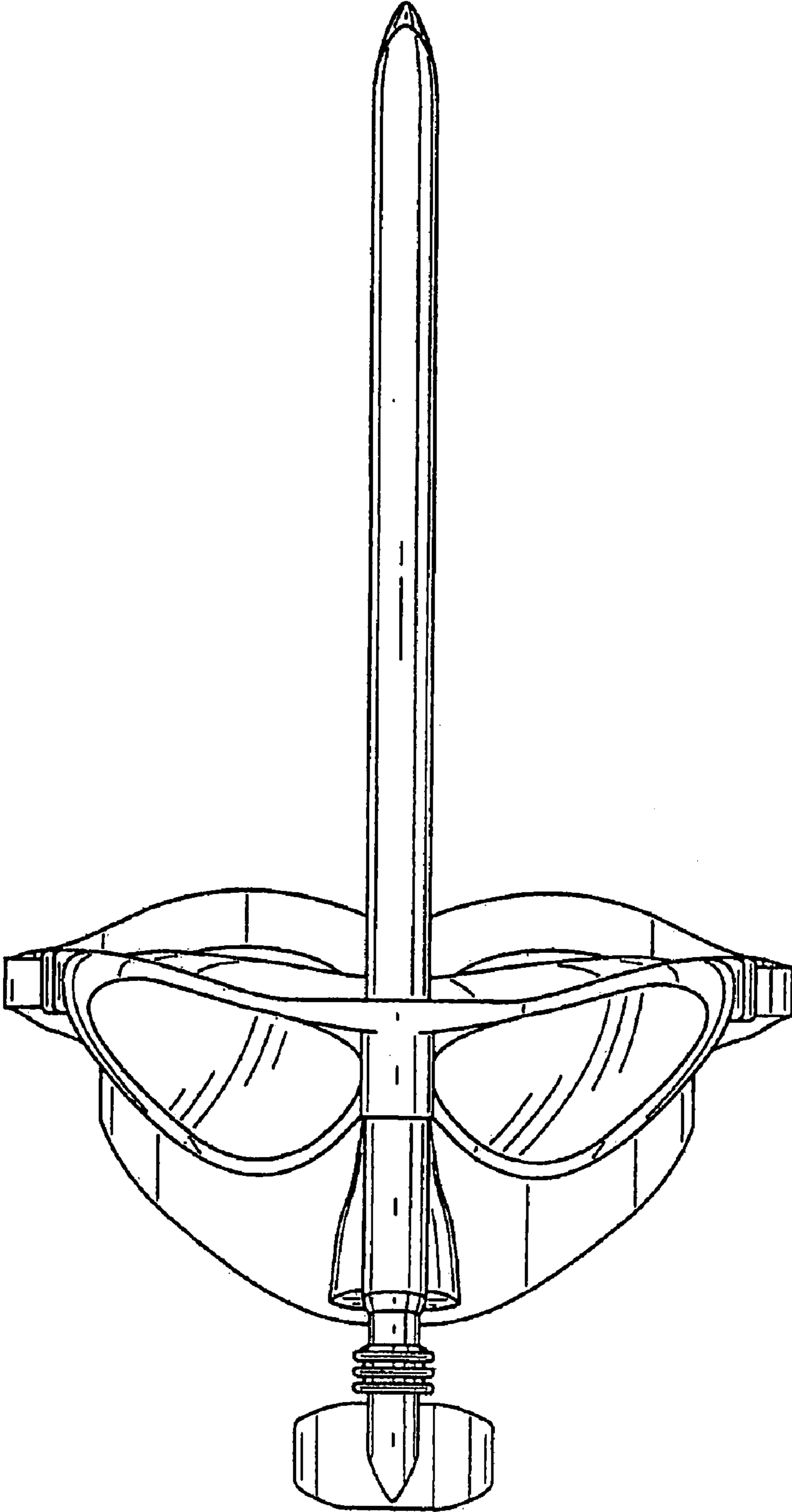


FIG. 2

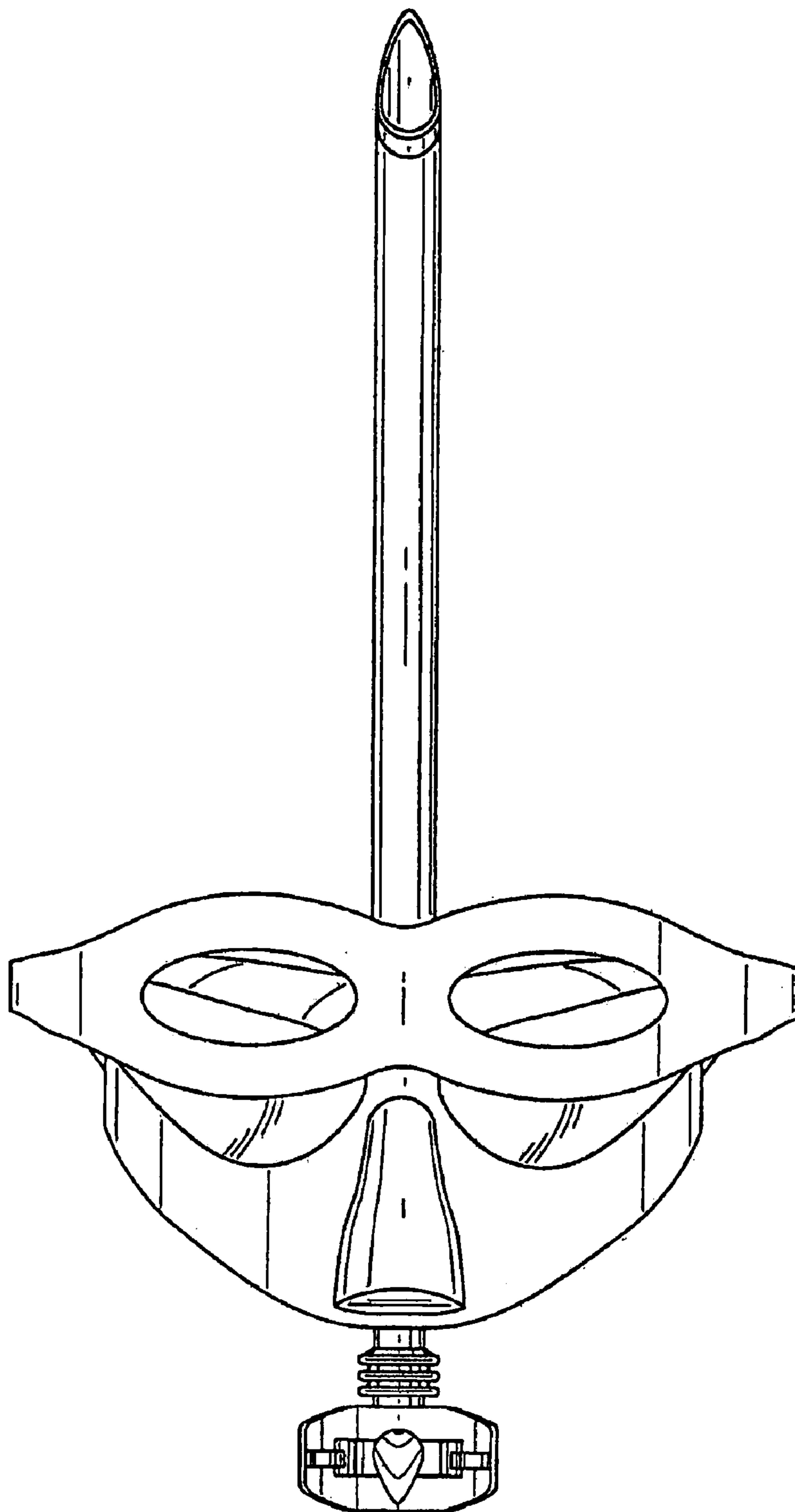


FIG. 3

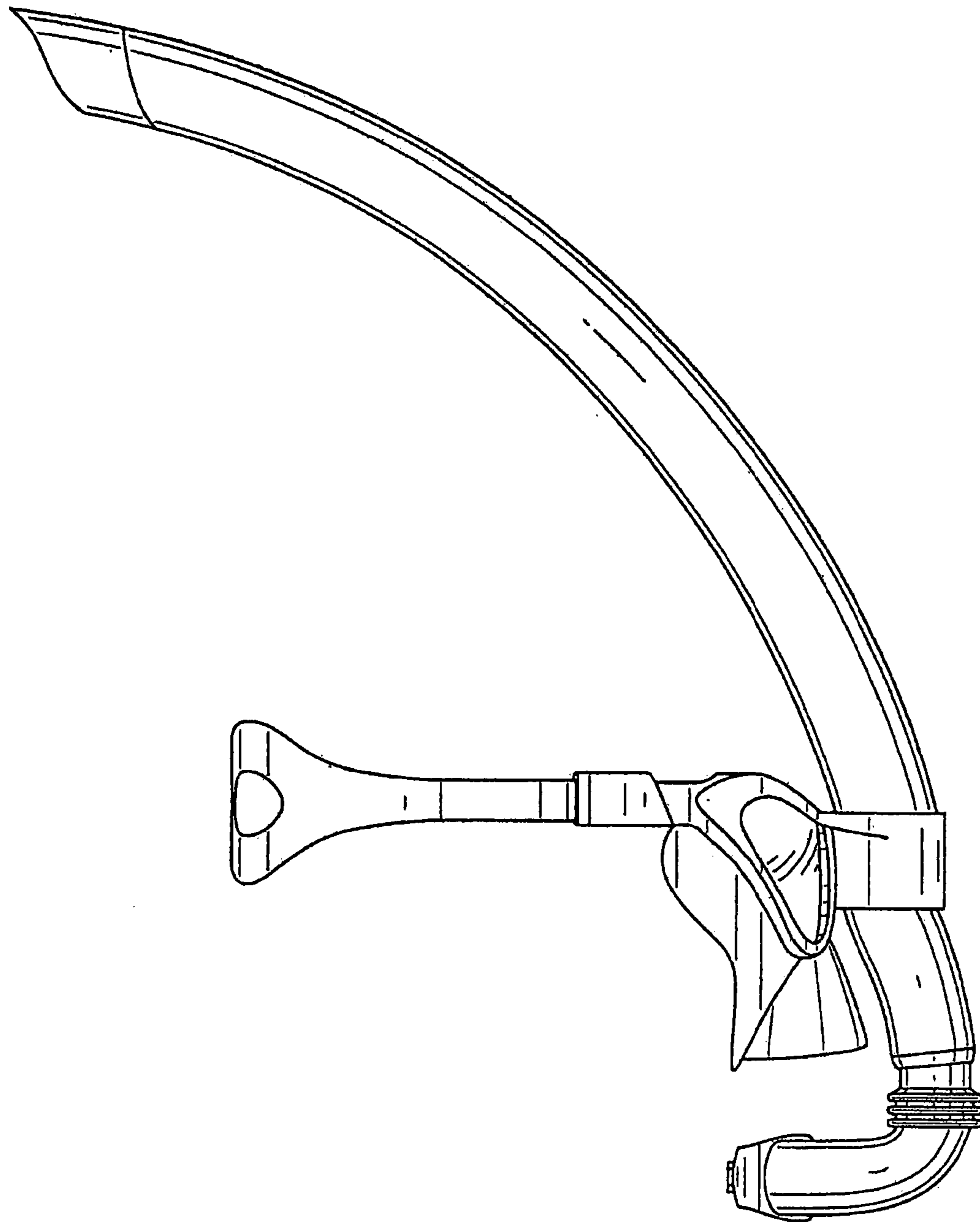


FIG. 4

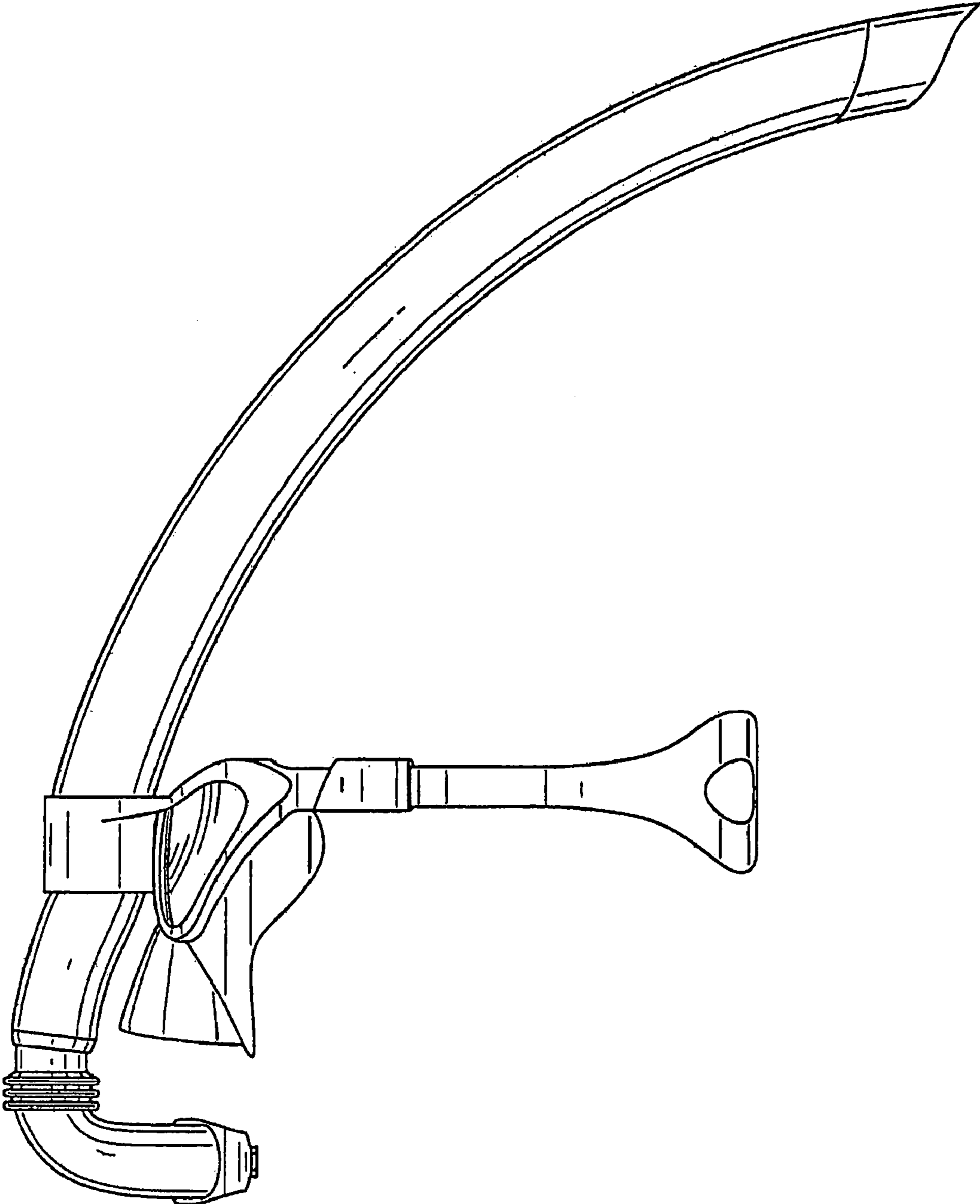


FIG. 5

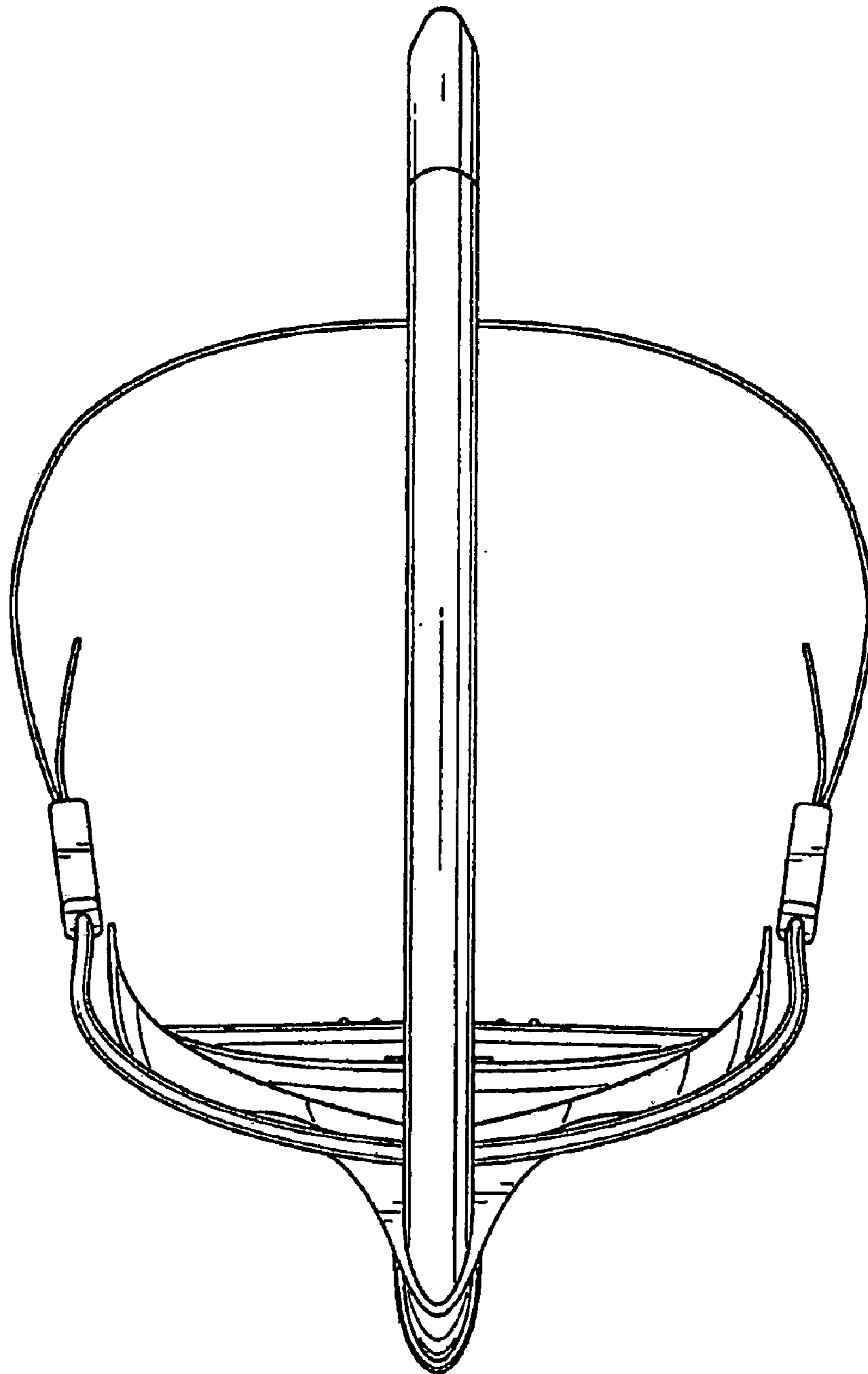


FIG. 6

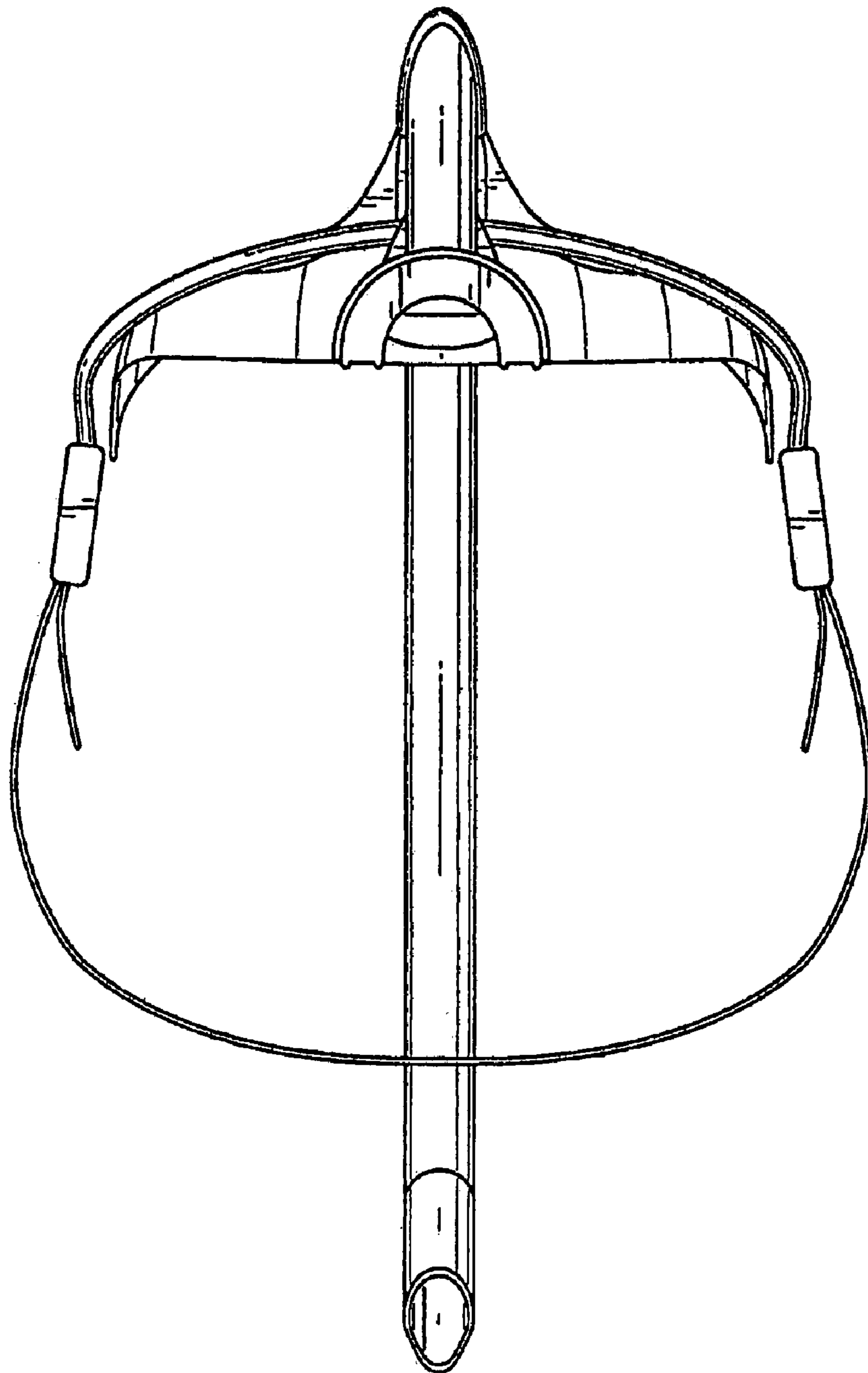


FIG. 7