



US00D552229S

(12) **United States Design Patent**  
**Shurtleff**

(10) **Patent No.:** **US D552,229 S**

(45) **Date of Patent:** **\*\* Oct. 2, 2007**

(54) **FAN BLADE BRACKET**

(75) Inventor: **Mark L. Shurtleff**, Long Beach, CA  
(US)

(73) Assignee: **Air Cool Industrial Co., Ltd.**,  
Taichung County (TW)

(\*\*) Term: **14 Years**

(21) Appl. No.: **29/265,124**

(22) Filed: **Aug. 25, 2006**

(51) **LOC (8) Cl.** ..... **23-04**

(52) **U.S. Cl.** ..... **D23/411**

(58) **Field of Classification Search** ..... D23/377,  
D23/379, 385, 411, 413; 416/5  
See application file for complete search history.

(56) **References Cited**

U.S. PATENT DOCUMENTS

D461,553 S \* 8/2002 Gajewski ..... D23/411  
D531,303 S \* 10/2006 Glasbrenner ..... D23/411

\* cited by examiner

*Primary Examiner*—Lisa Lichtenstein

(74) *Attorney, Agent, or Firm*—Troxell Law Office, PLLC

(57) **CLAIM**

I claim the ornamental design for a fan blade bracket, as shown and described.

**DESCRIPTION**

FIG. 1 is a front perspective view of a fan blade bracket showing my new design;

FIG. 2 is a front elevational view thereof;

FIG. 3 is a rear elevational view thereof;

FIG. 4 is a left side elevational view thereof;

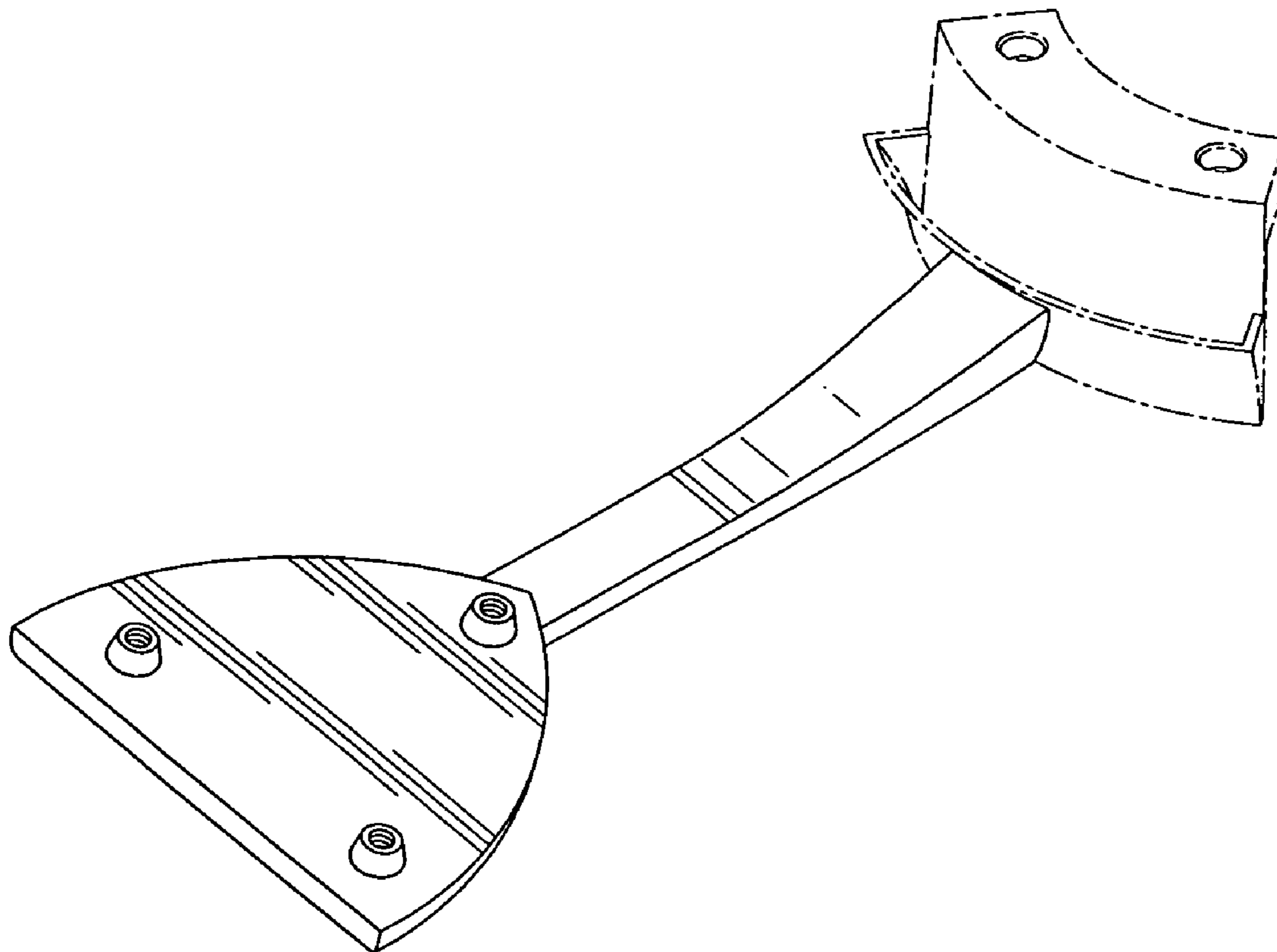
FIG. 5 is a right side elevational view thereof;

FIG. 6 is a top plan view thereof; and,

FIG. 7 is a bottom plan view thereof.

The broken line showing of the fan blade attachment element is included for the purpose of illustrating environmental structure and forms no part of the claimed design.

**1 Claim, 4 Drawing Sheets**



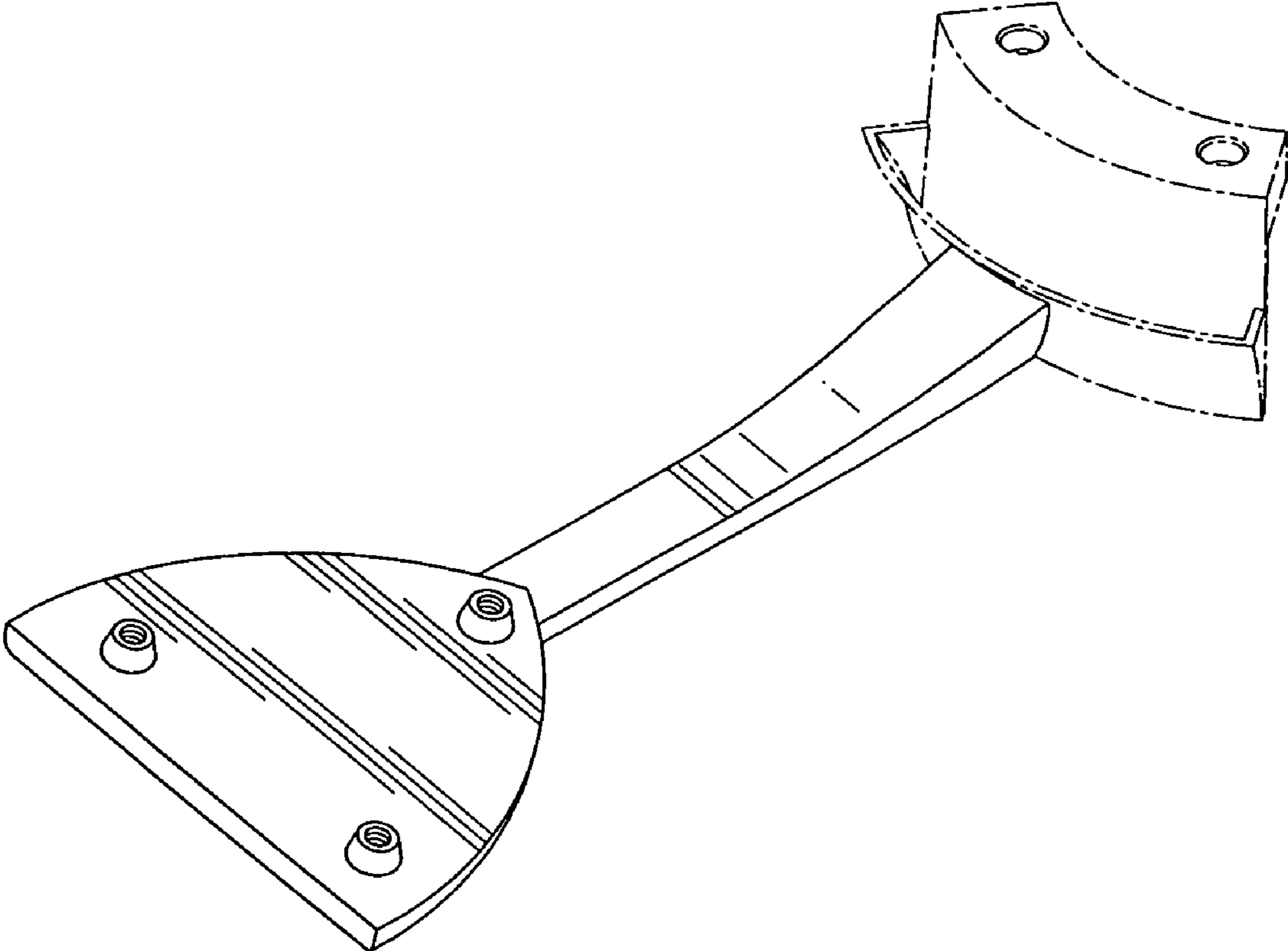


FIG. 1

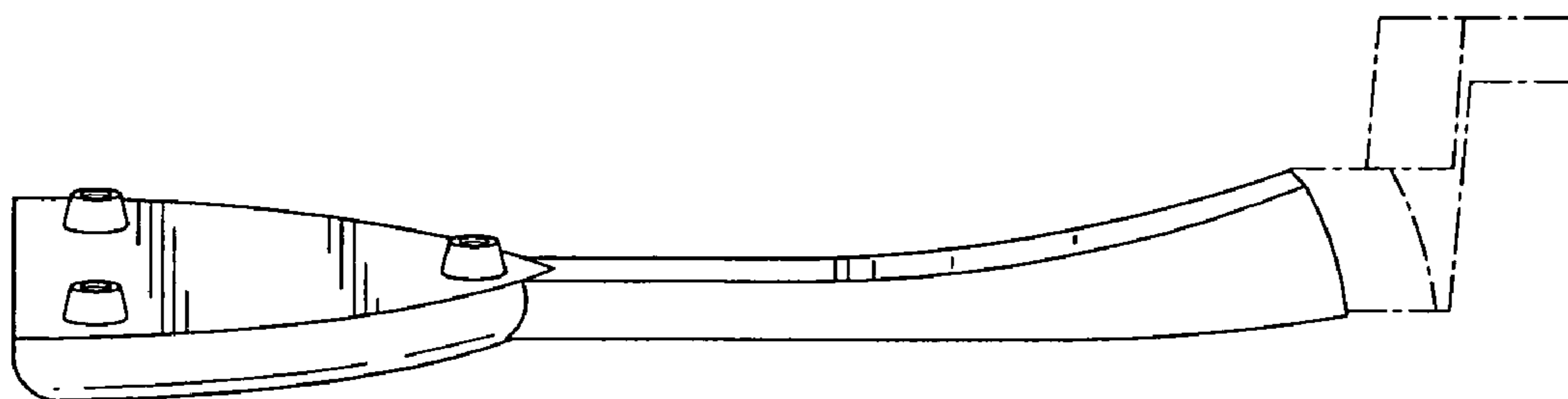


FIG. 2

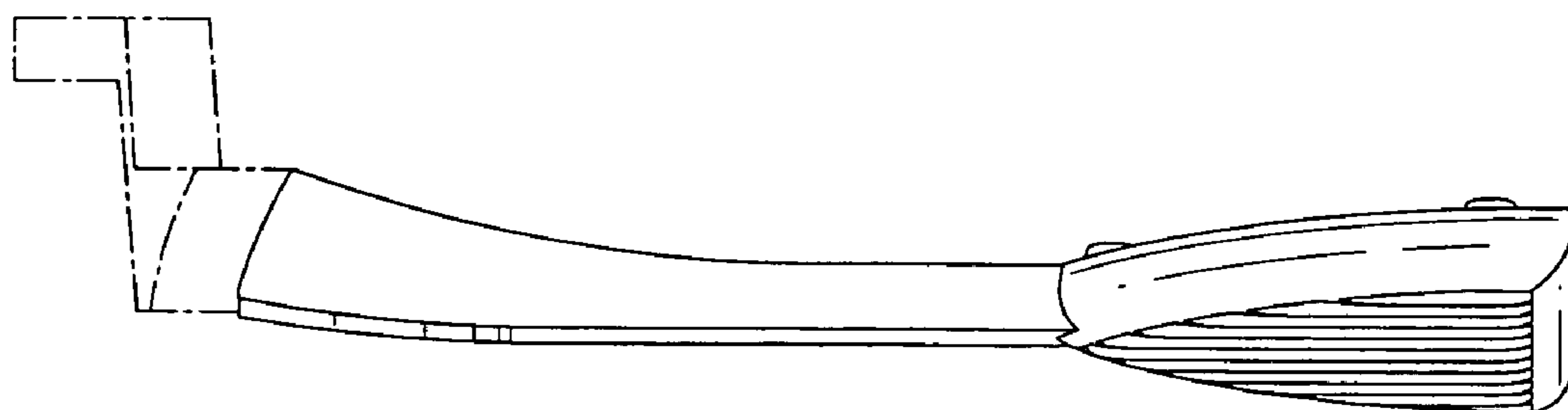


FIG. 3

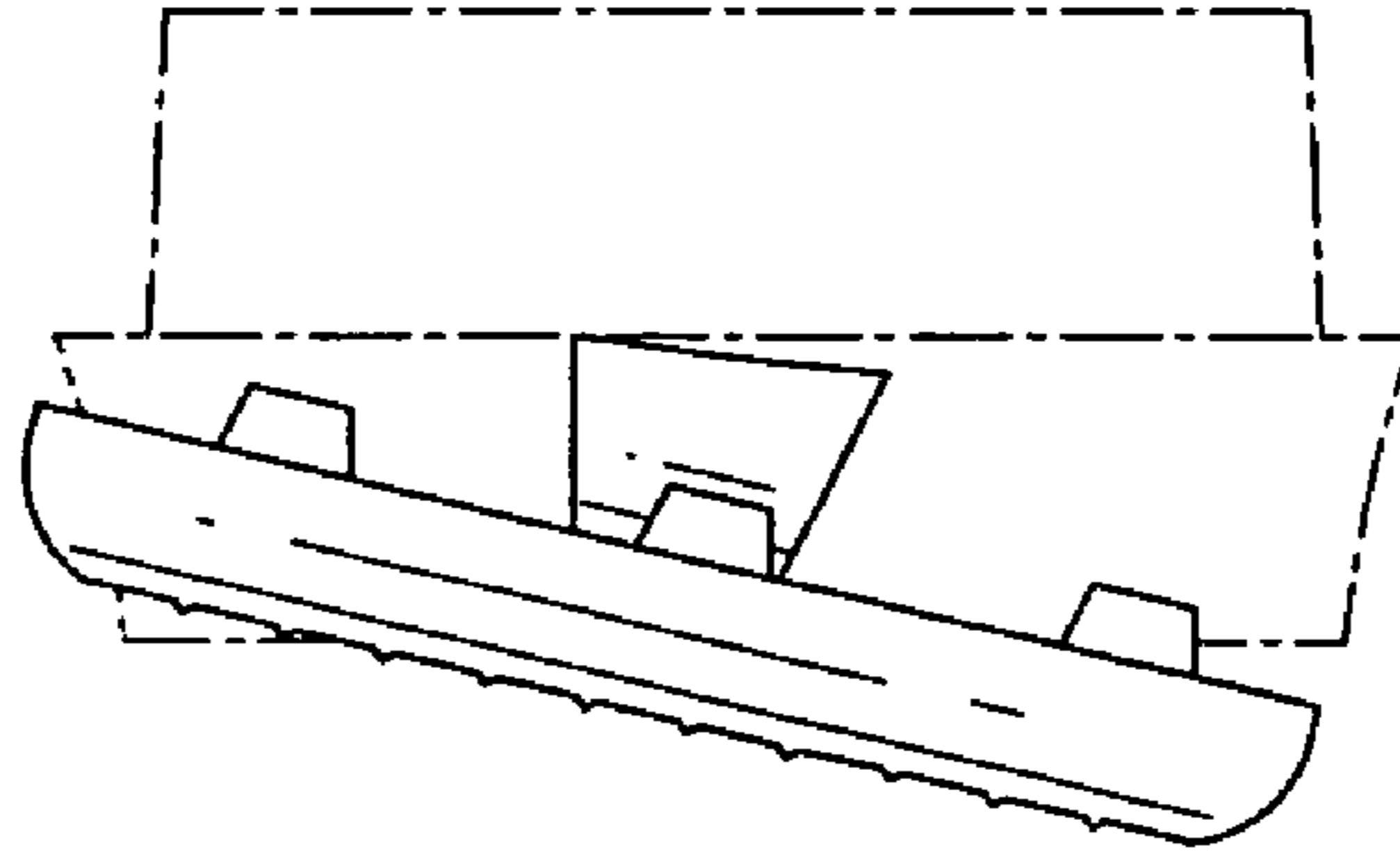


FIG. 4

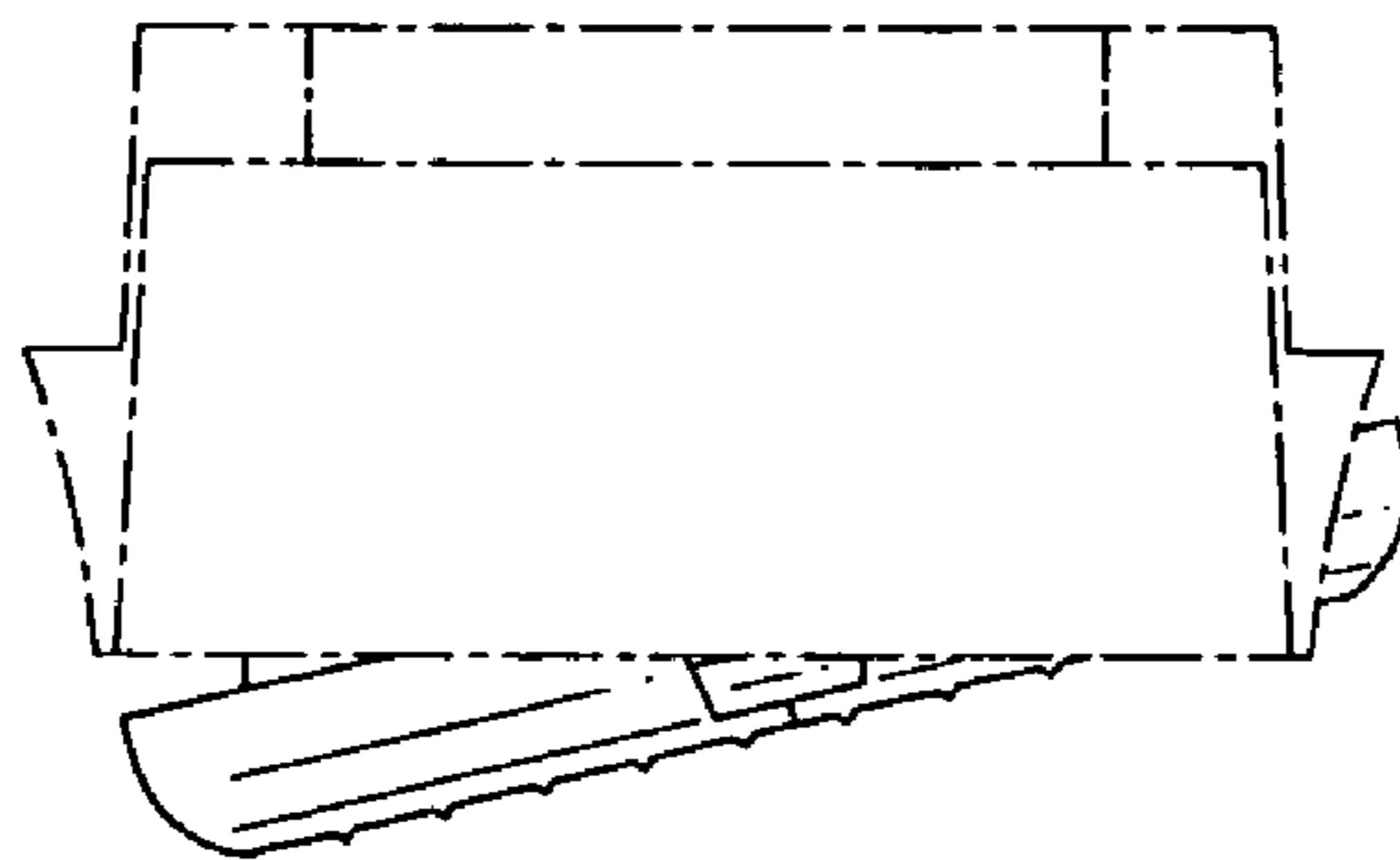


FIG. 5

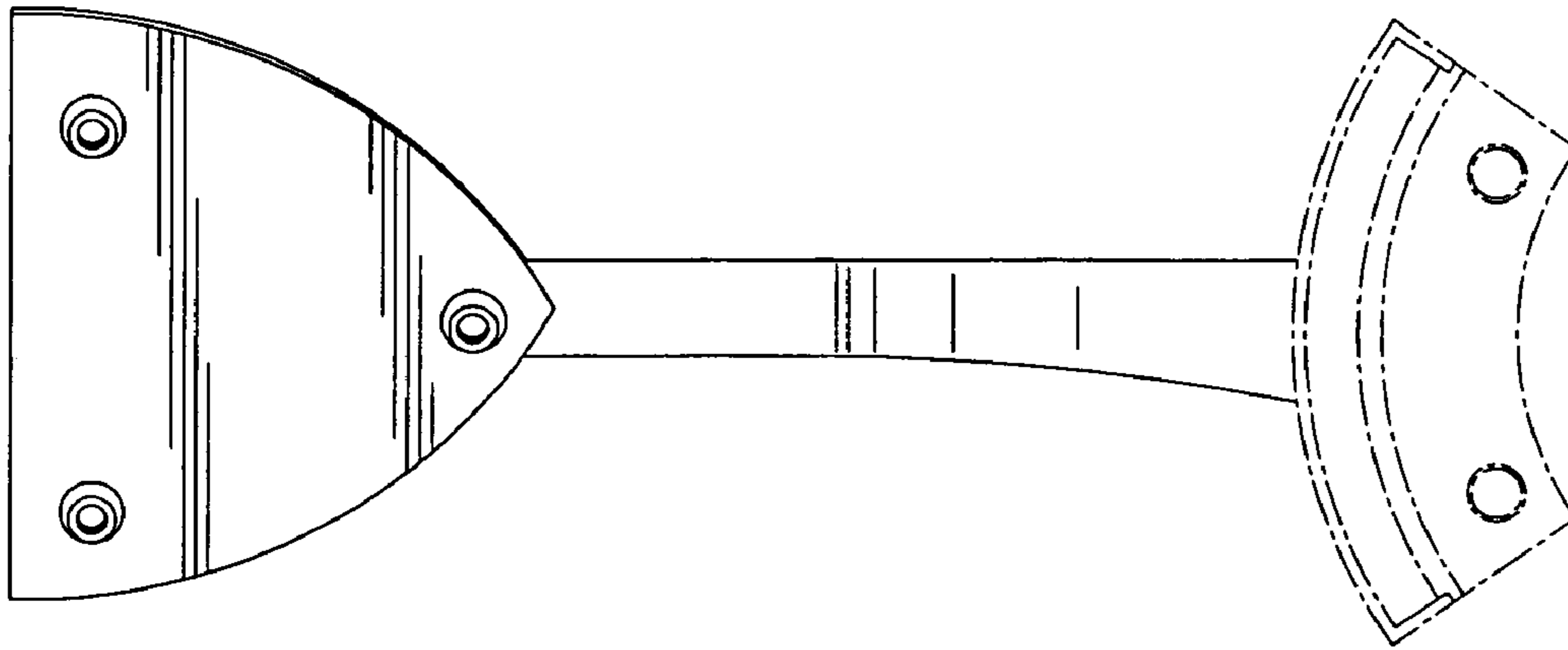


FIG. 6

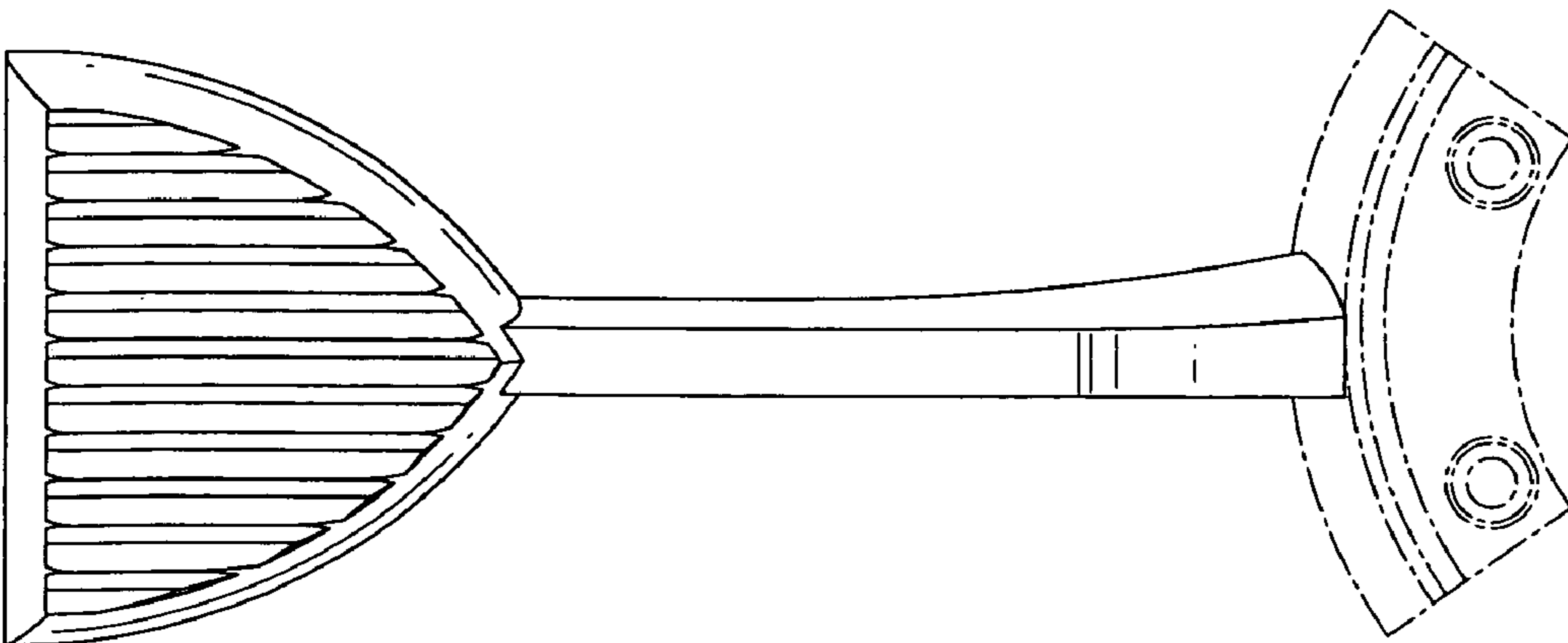


FIG. 7