



US00D552228S

(12) **United States Design Patent**  
**Ertze**

(10) **Patent No.:** **US D552,228 S**

(45) **Date of Patent:** **\*\* Oct. 2, 2007**

(54) **CEILING FAN MOTOR HOUSING**

*Primary Examiner*—Lisa Lichtenstein  
(74) *Attorney, Agent, or Firm*—Troxell Law Office, PLLC

(75) **Inventor:** **Pablo J. Ertze**, Rancho Cucamonga, CA (US)

(73) **Assignee:** **Air Cool Industrial Co., Ltd.**, Taichung County (TW)

(57) **CLAIM**

I claim the ornamental design for a ceiling fan motor housing, as shown and described.

(\*\*) **Term:** **14 Years**

(21) **Appl. No.:** **29/265,111**

**DESCRIPTION**

(22) **Filed:** **Aug. 25, 2006**

(51) **LOC (8) Cl.** ..... **23-04**

FIG. 1 is a front perspective view of a ceiling fan motor housing showing my new design;

(52) **U.S. Cl.** ..... **D23/411**

FIG. 2 is a front elevational view thereof;

(58) **Field of Classification Search** ..... D23/411,

FIG. 3 is a rear elevational view thereof.

D23/377, 379, 385; 416/5; 392/354

FIG. 4 is a left side elevational view thereof;

See application file for complete search history.

FIG. 5 is a right side elevational view thereof;

(56) **References Cited**

**U.S. PATENT DOCUMENTS**

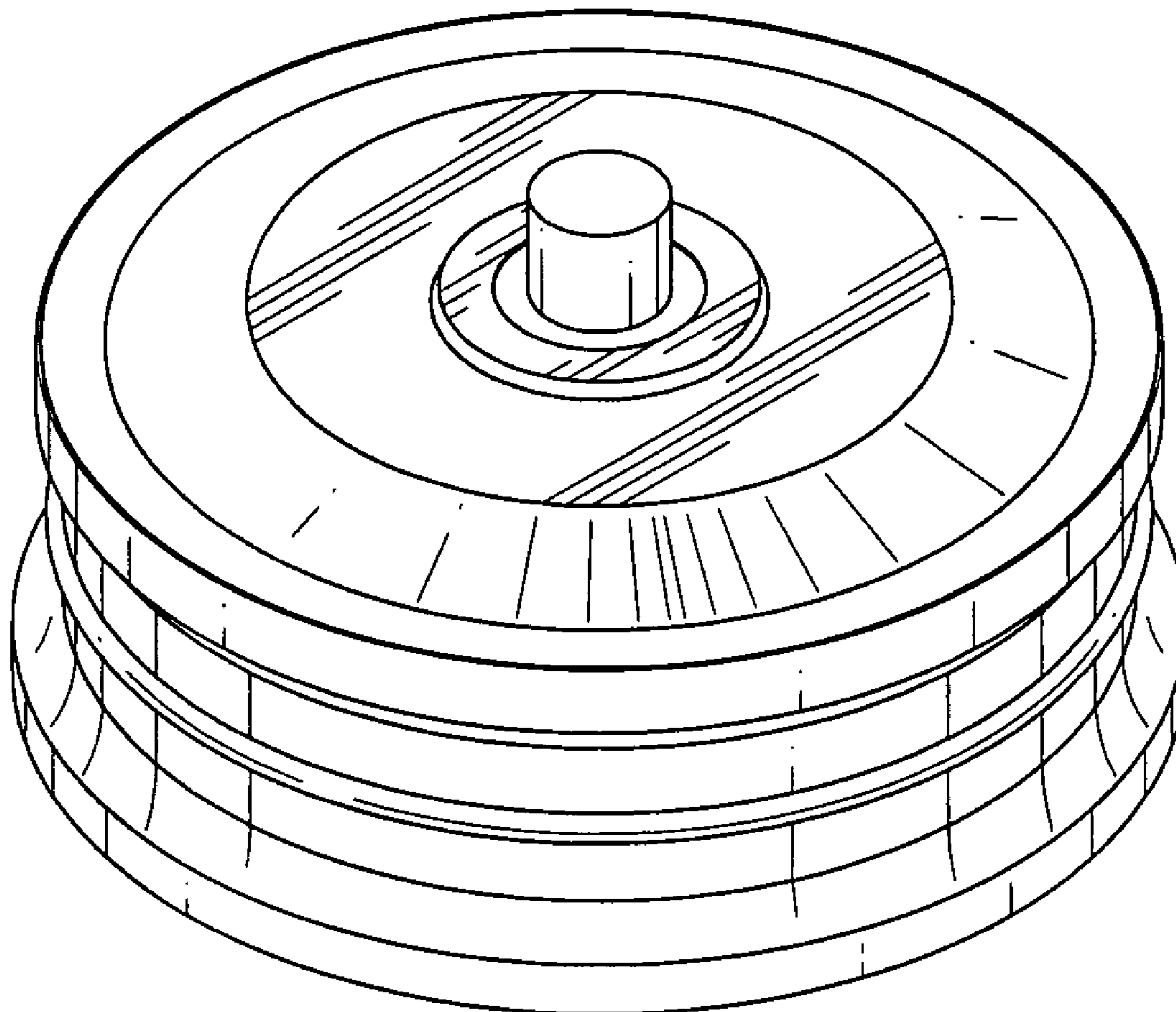
FIG. 6 is a top plan view thereof; and,

FIG. 7 is a bottom plan view thereof.

D408,524 S \* 4/1999 Tsuji et al. .... D23/411

\* cited by examiner

**1 Claim, 5 Drawing Sheets**



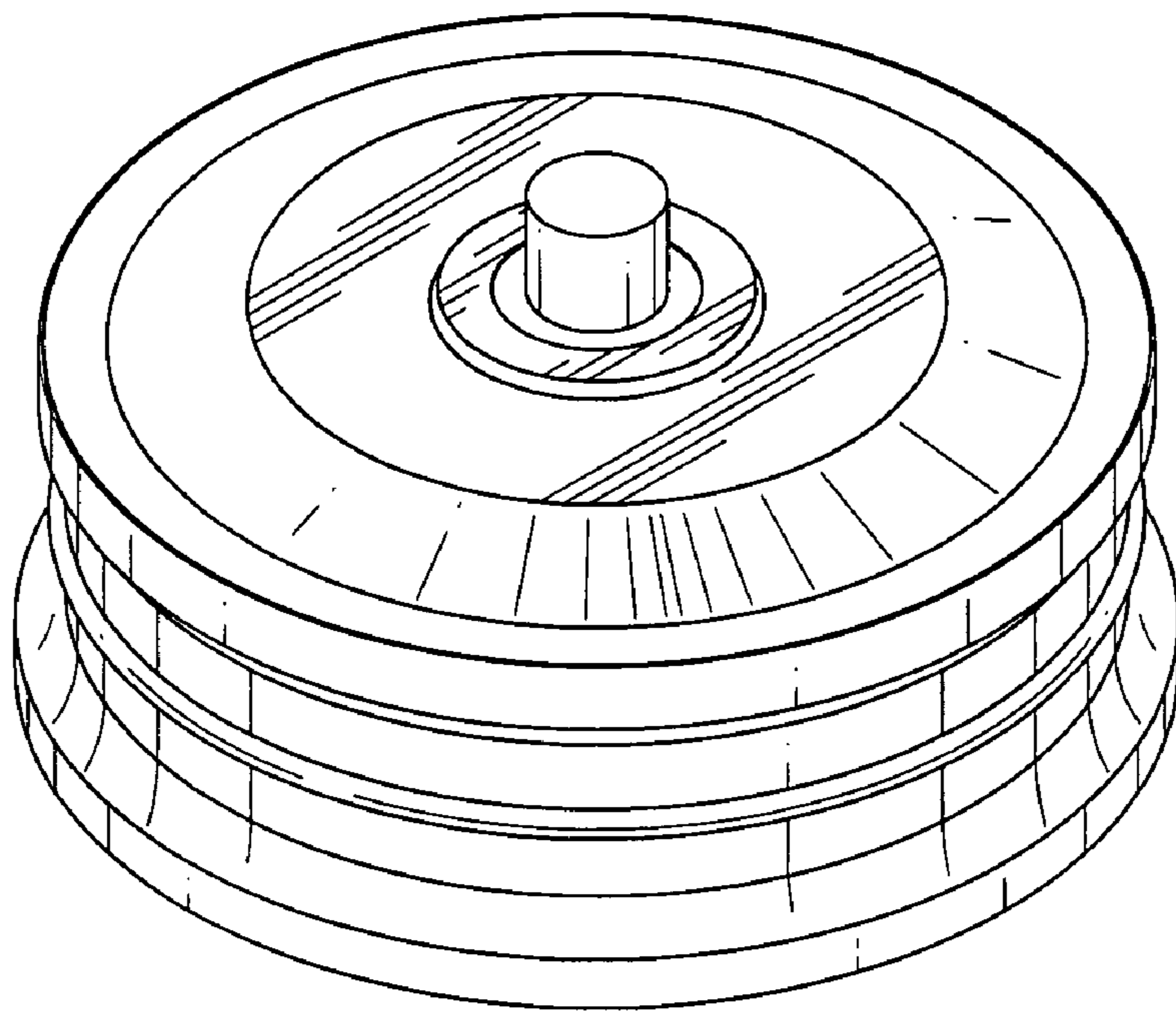


FIG. 1

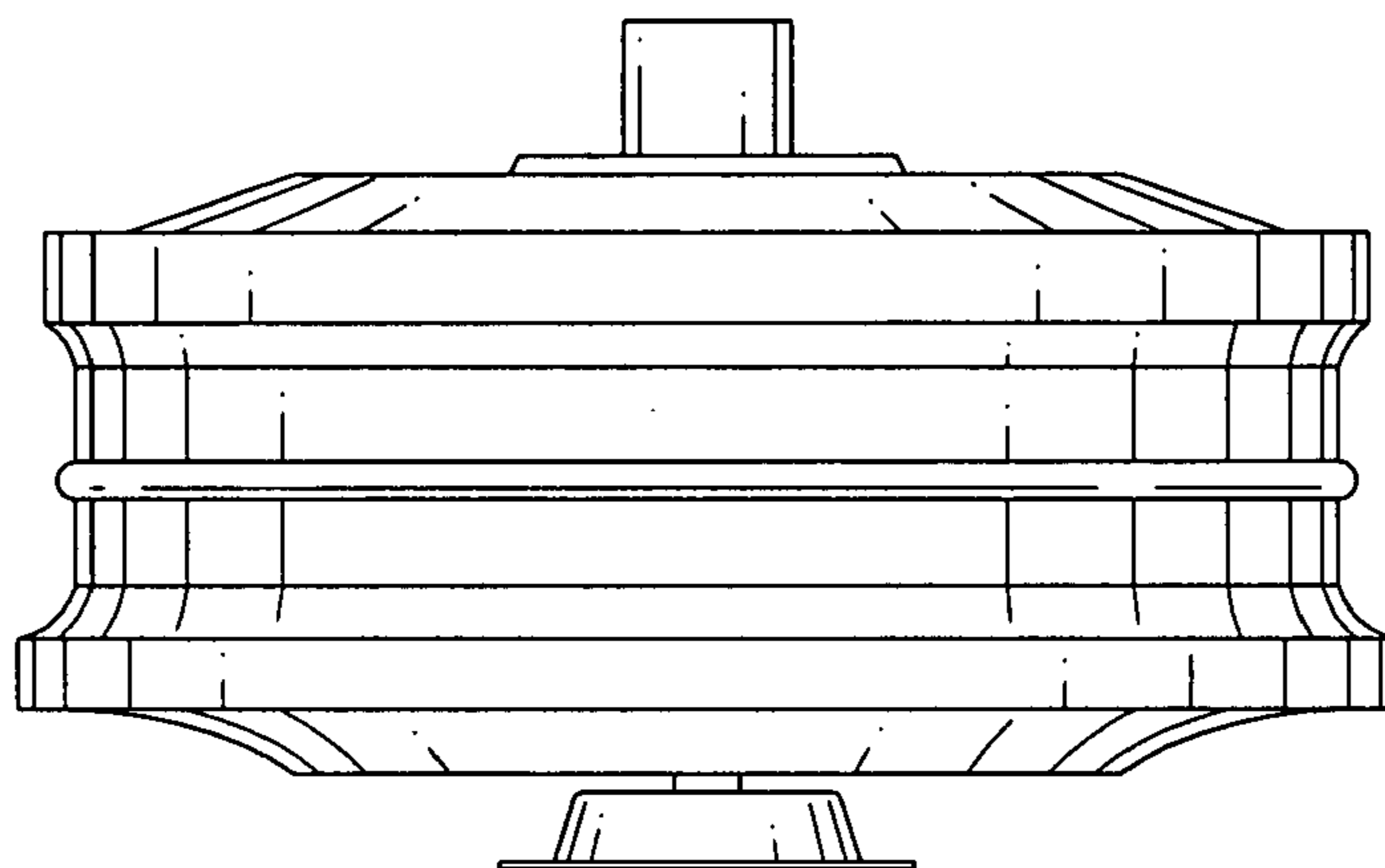


FIG. 2

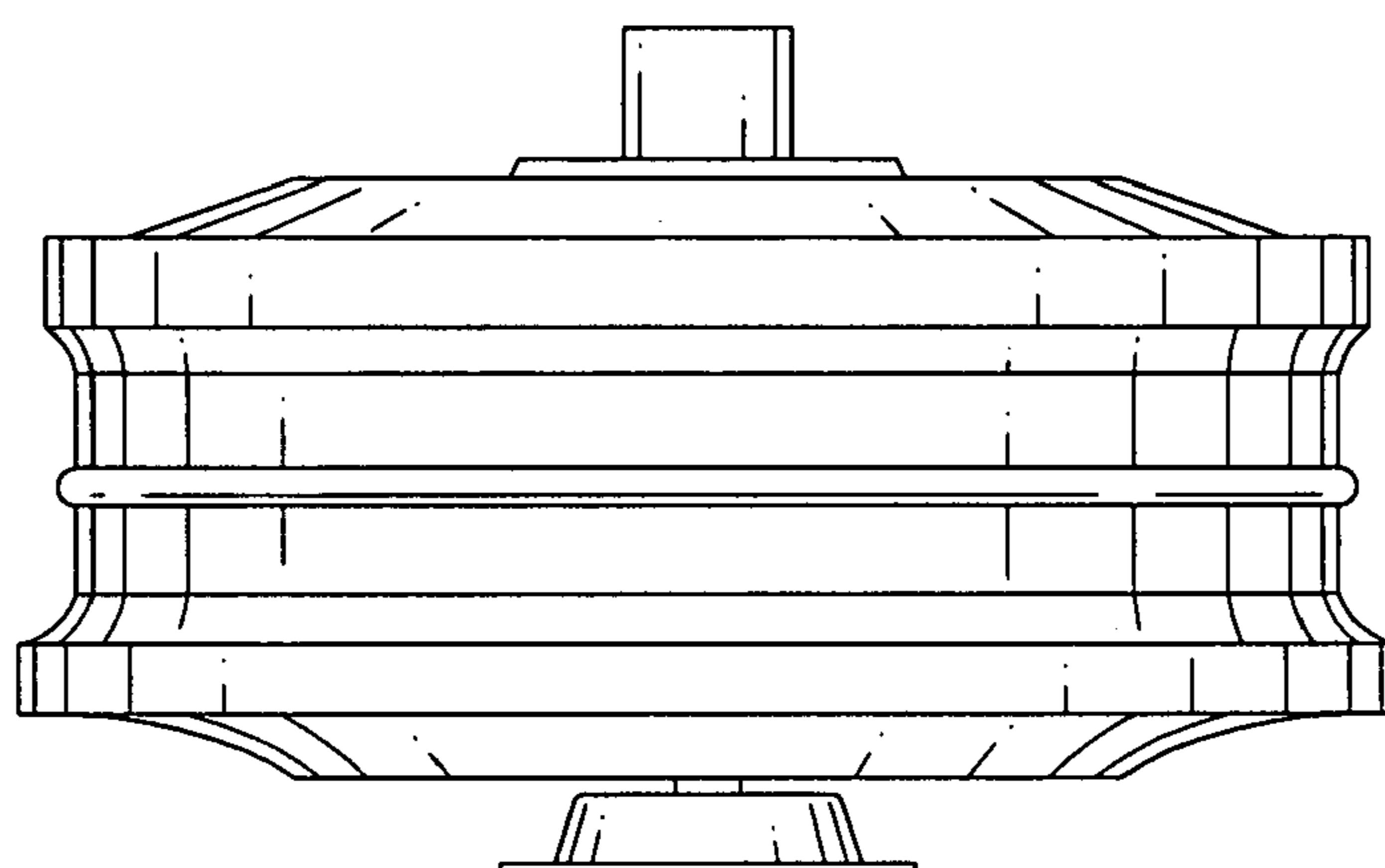


FIG. 3

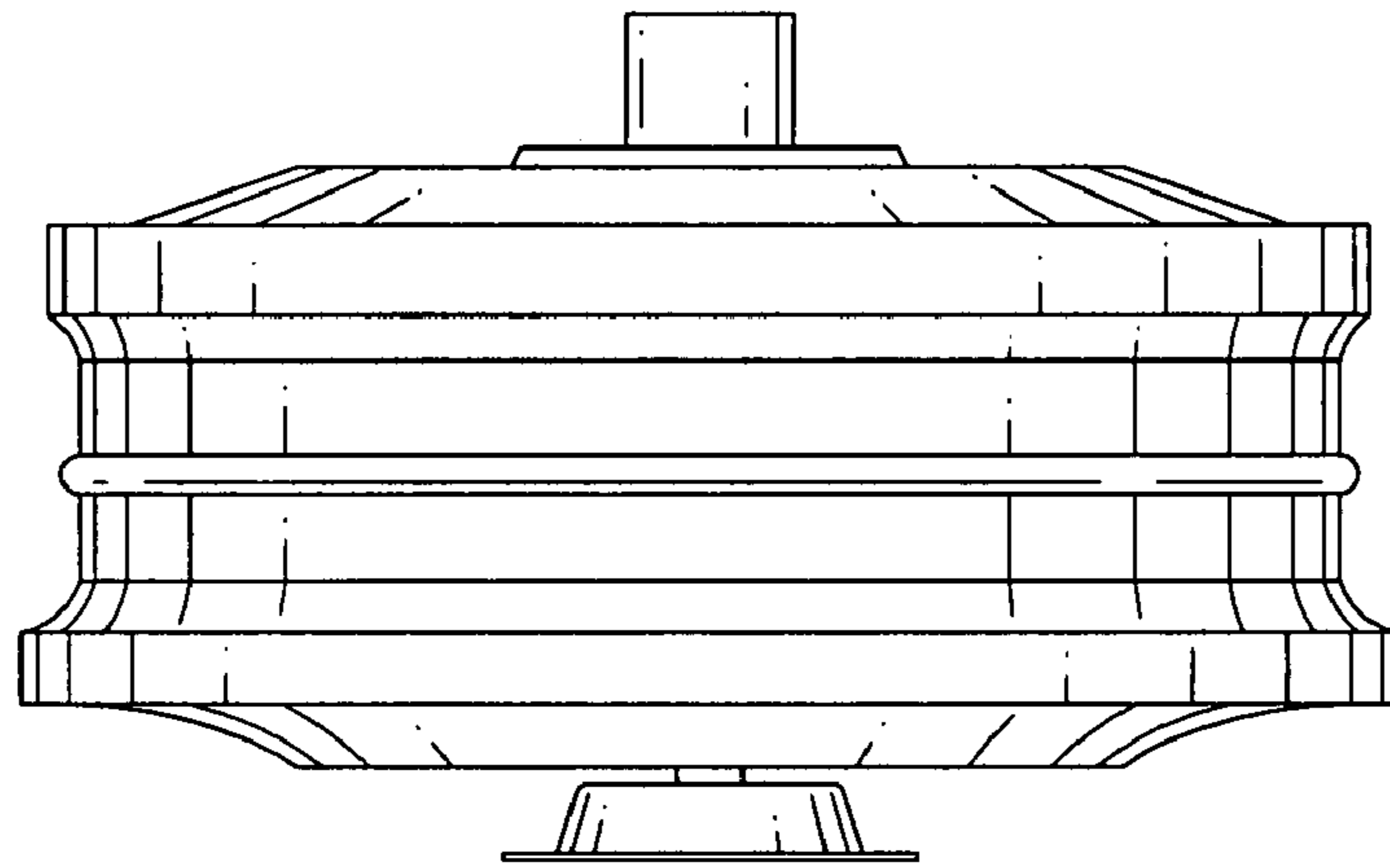


FIG. 4

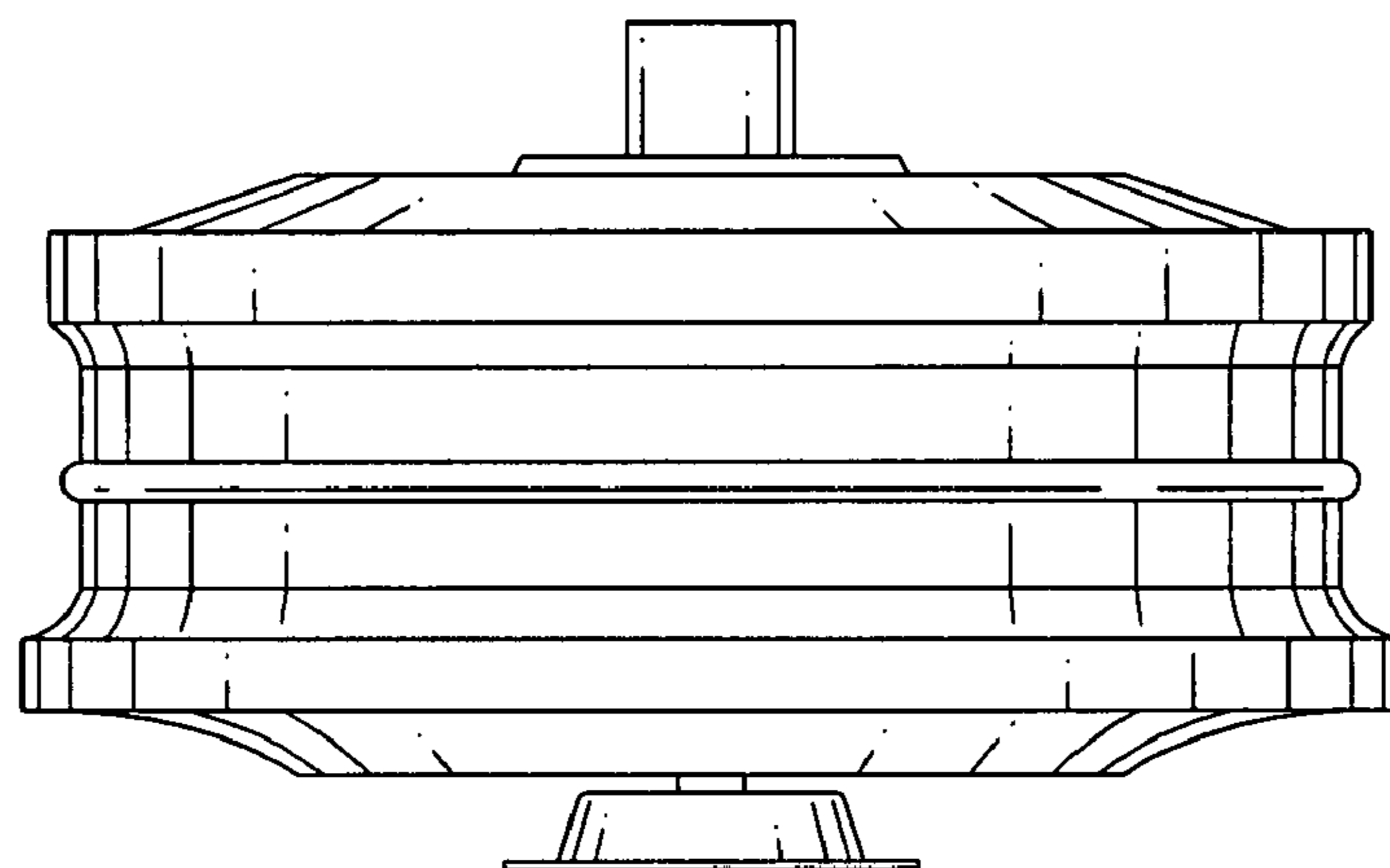


FIG. 5

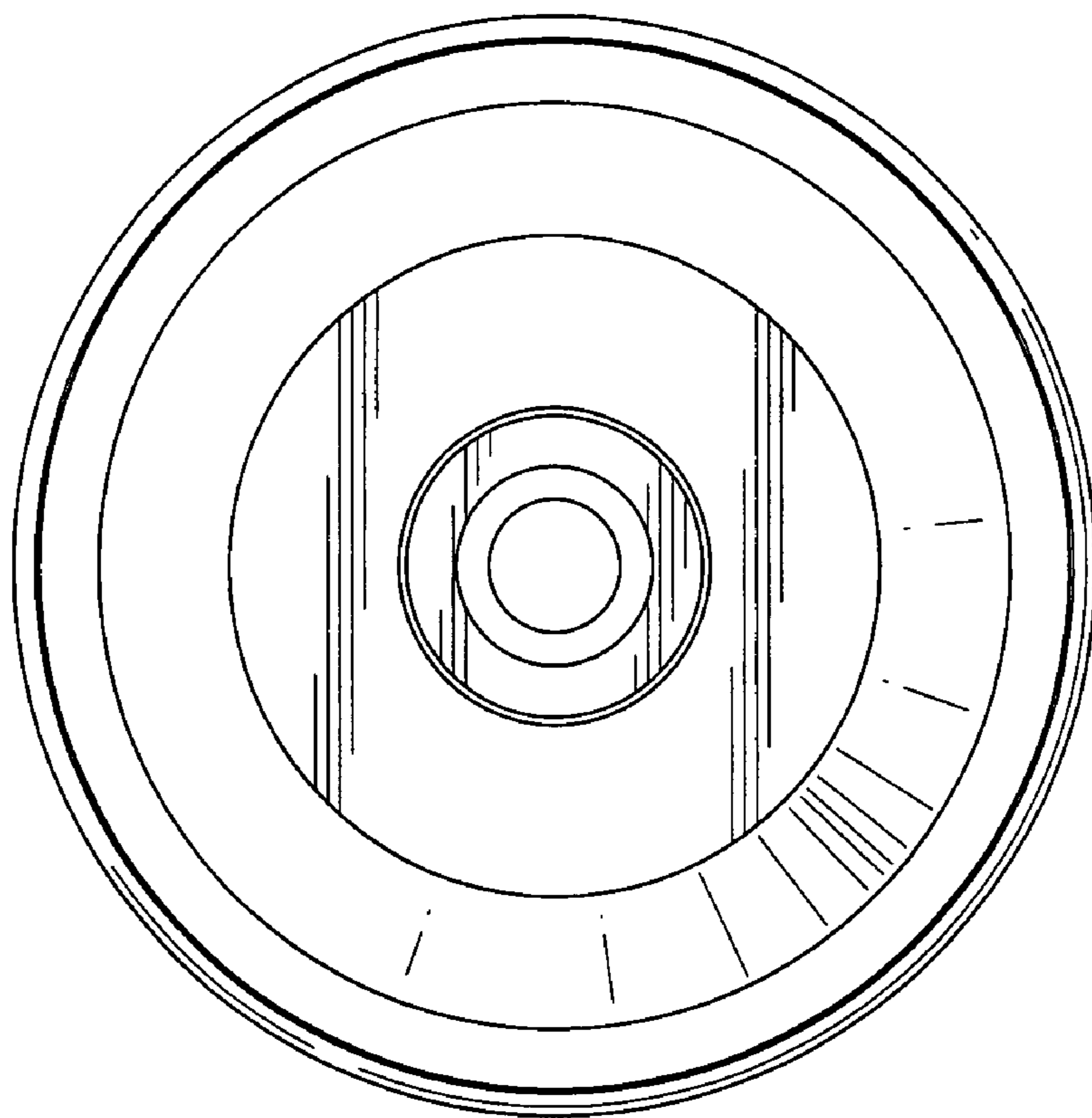


FIG. 6

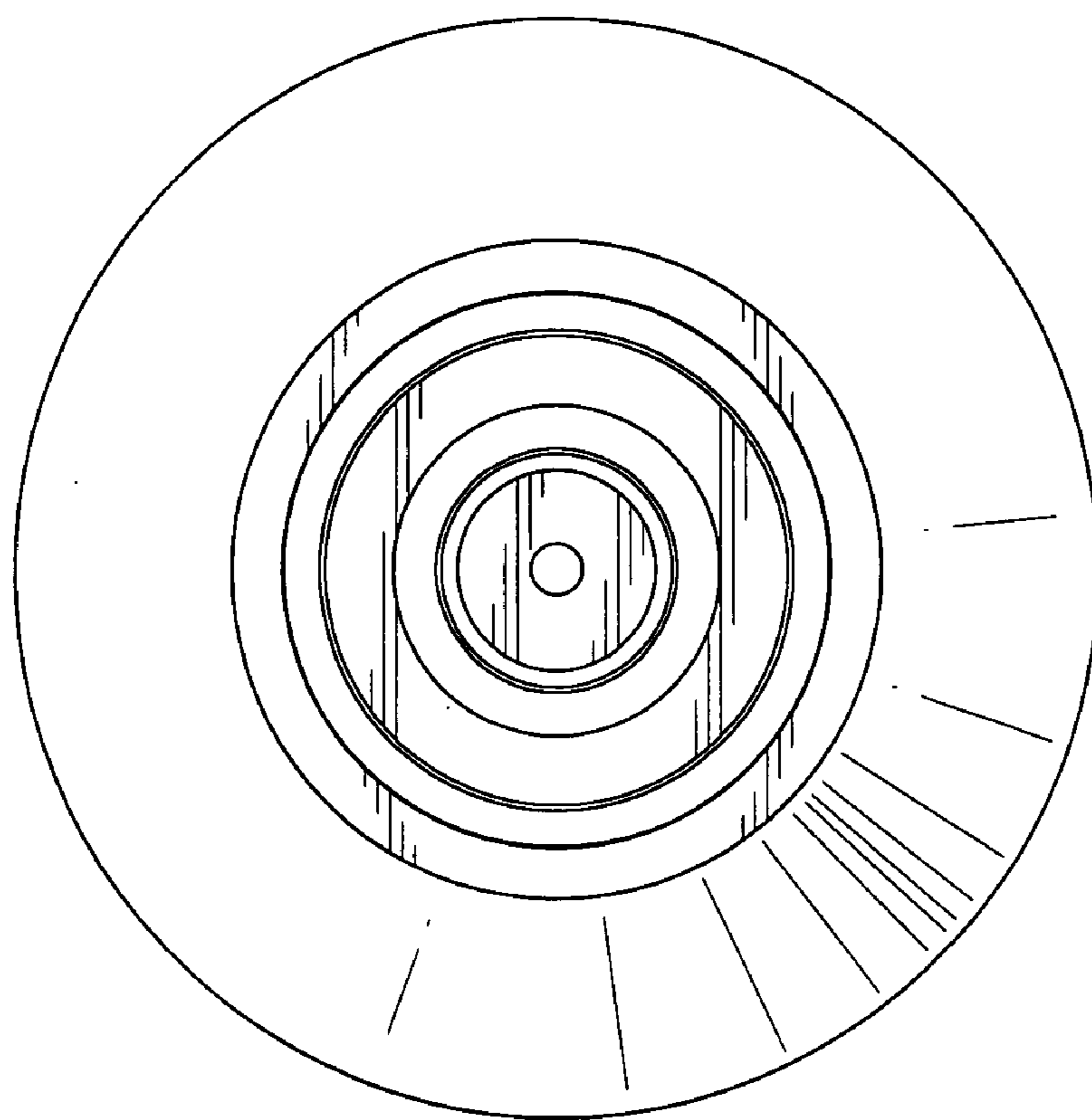


FIG. 7