



US00D552226S

(12) **United States Design Patent**
Huang

(10) **Patent No.:** **US D552,226 S**

(45) **Date of Patent:** **** Oct. 2, 2007**

(54) **HUMIDIFIER**

(75) Inventor: **Kuo-Fu Huang**, Tainan (TW)

(73) Assignee: **Royal-G Enterprise Co., Ltd.**, Tainan (TW)

(**) Term: **14 Years**

(21) Appl. No.: **29/269,191**

(22) Filed: **Nov. 24, 2006**

(51) **LOC (8) Cl.** **23-04**

(52) **U.S. Cl.** **D23/364**

(58) **Field of Classification Search** D23/364,
D23/355, 359, 360, 356, 351, 328, 353, 333,
D23/370, 332, 342, 336; 55/467, 471, 472,
55/356; 392/403, 405, 365, 373-376
See application file for complete search history.

(56) **References Cited**

U.S. PATENT DOCUMENTS

D308,413 S *	6/1990	Wong	D23/356
D346,208 S *	4/1994	Smith	D23/370
D414,254 S *	9/1999	Wu	D23/355
D417,911 S *	12/1999	Jane' et al.	D23/364
D422,690 S *	4/2000	Rakocy	D23/364
D422,691 S *	4/2000	Huang	D23/364
D429,805 S *	8/2000	Hyon	D23/359

D431,641 S *	10/2000	Wilson, Jr.	D23/356
D431,861 S *	10/2000	Krauss	D23/356
D433,112 S *	10/2000	Louis, Jr.	D23/360
D468,818 S *	1/2003	Chuang et al.	D23/328
D499,176 S *	11/2004	Motegi	D23/332
D499,473 S *	12/2004	Ching	D23/332

* cited by examiner

Primary Examiner—Louis Zarfaz

Assistant Examiner—David Muller

(74) *Attorney, Agent, or Firm*—Rosenberg, Klein & Lee

(57) **CLAIM**

The ornamental design for a humidifier, as shown and described.

DESCRIPTION

FIG. 1 is a perspective view of a humidifier showing my new design;

FIG. 2 is a front elevational view thereof;

FIG. 3 is a rear elevational view thereof;

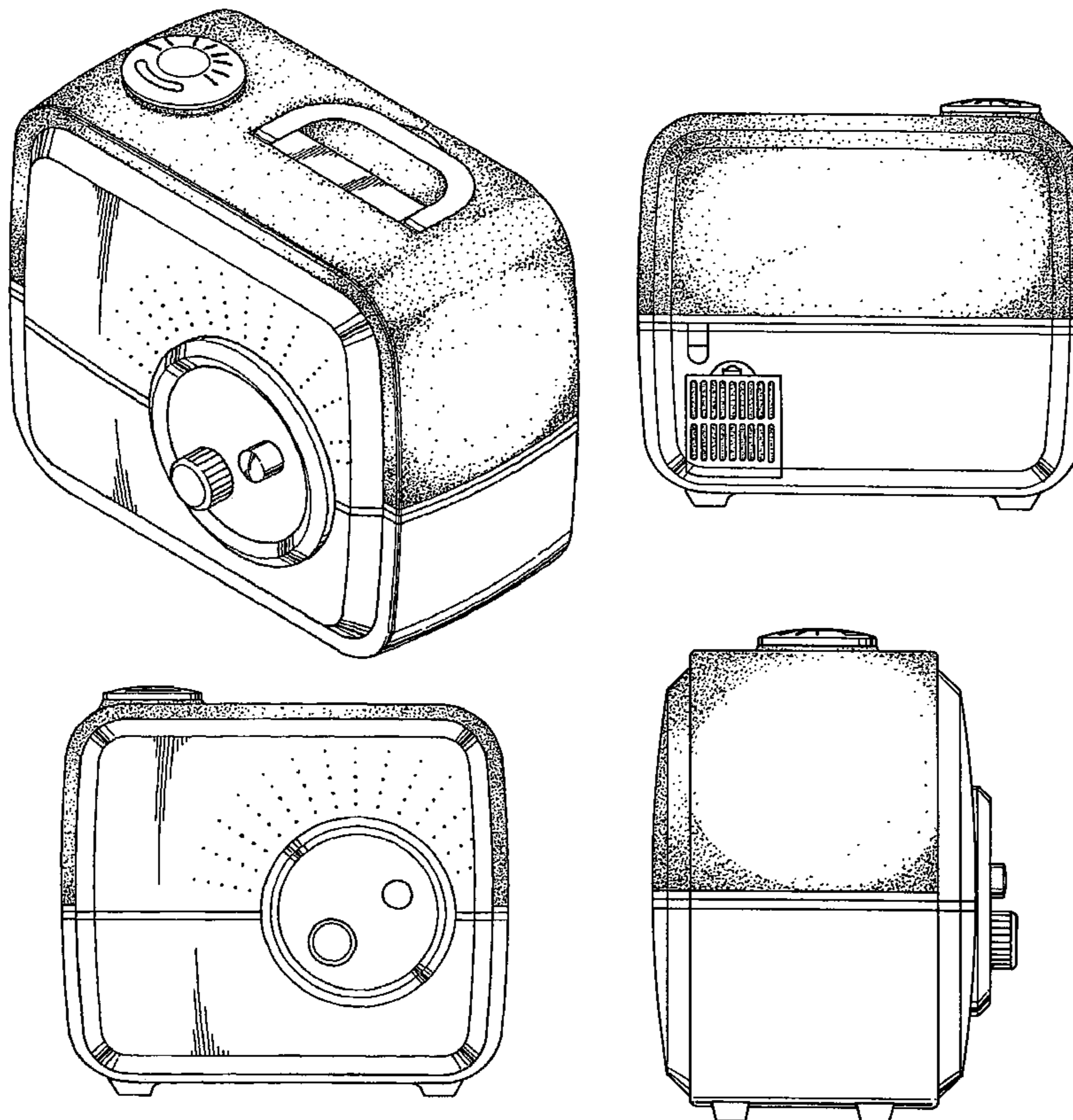
FIG. 4 is a left side elevational view thereof;

FIG. 5 is a right side elevational view thereof;

FIG. 6 is a top plan view thereof; and,

FIG. 7 is a bottom plan view thereof.

1 Claim, 6 Drawing Sheets



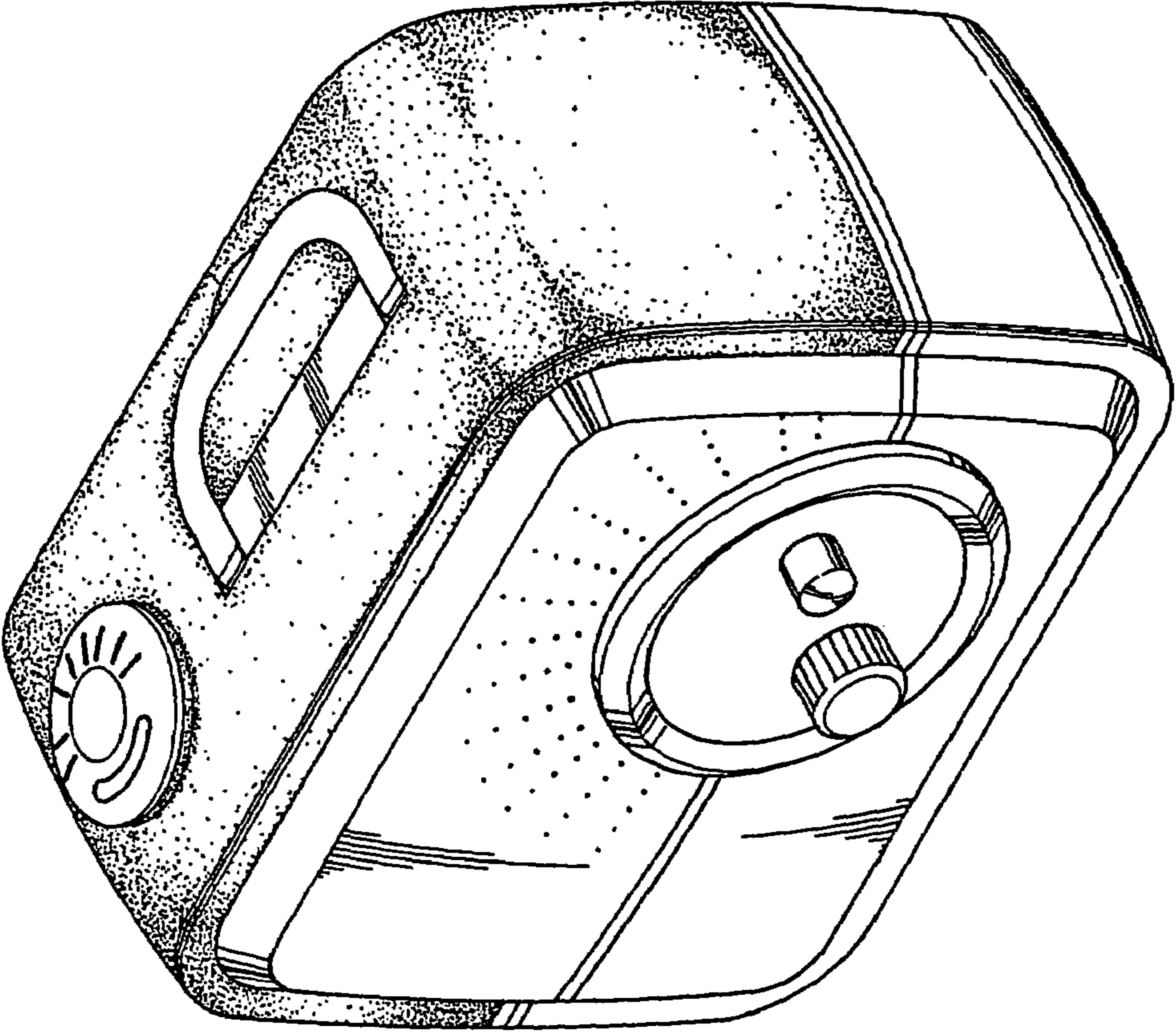


FIG. 1

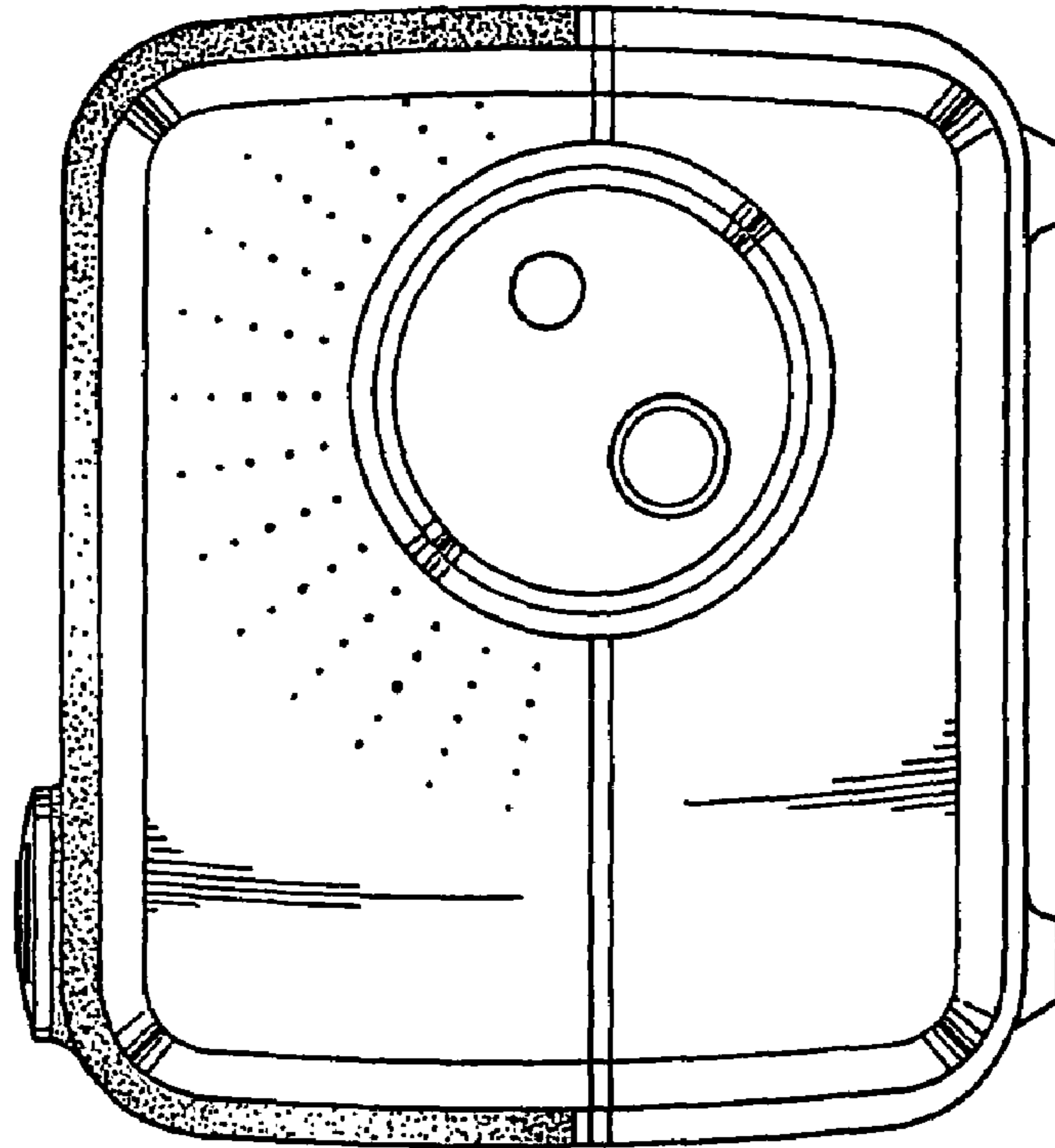


FIG. 2

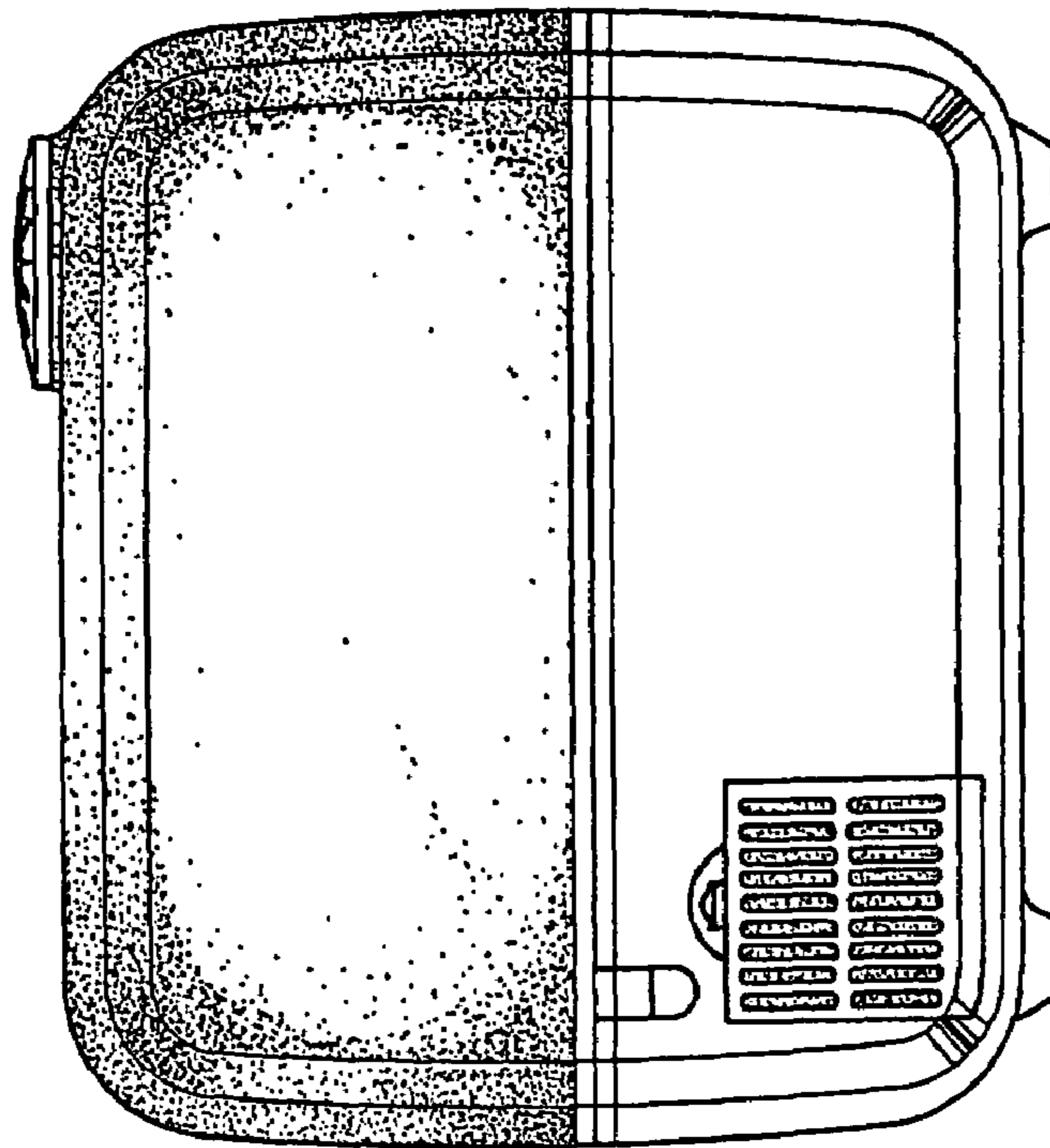


FIG. 3

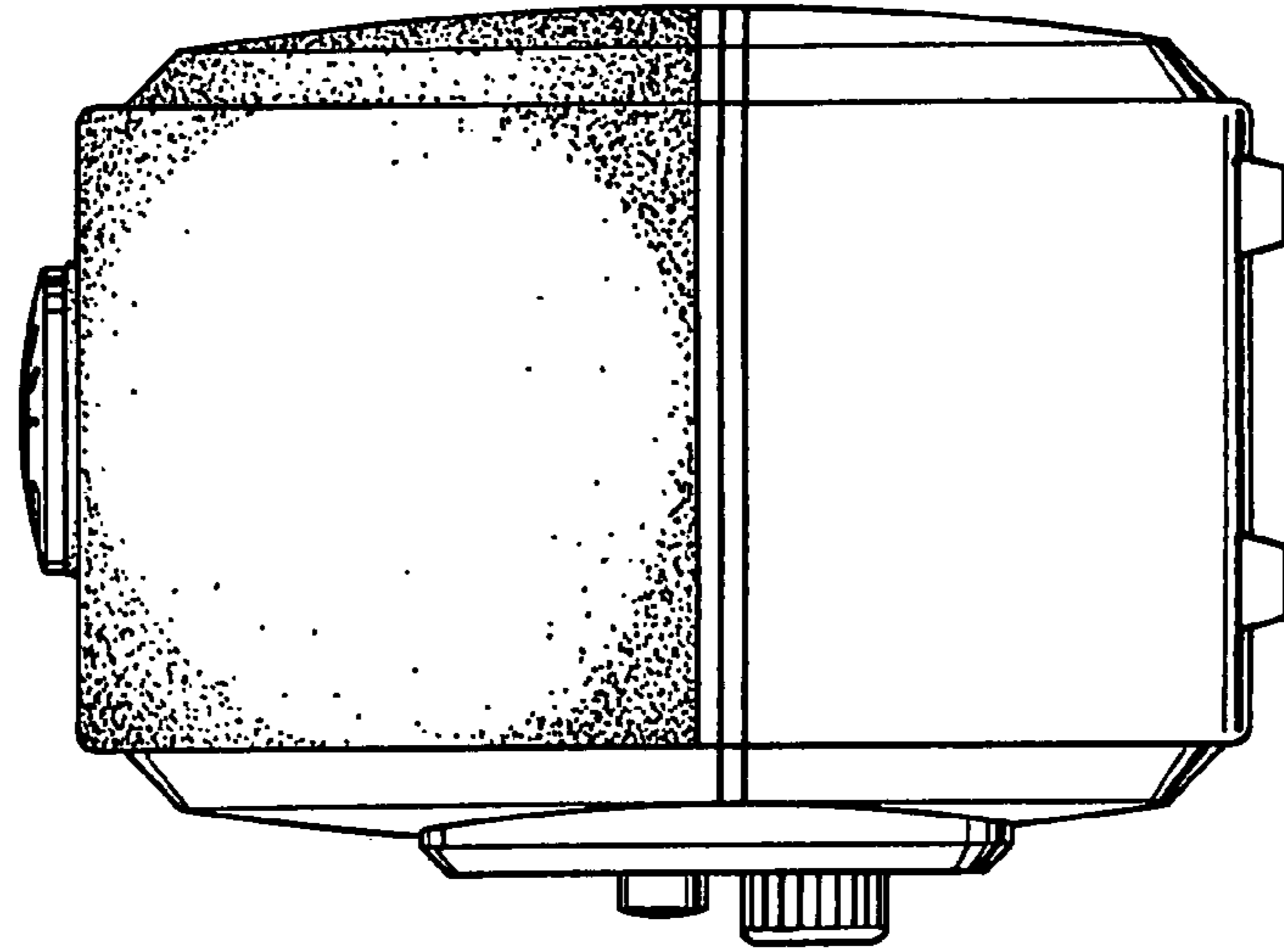


FIG. 4

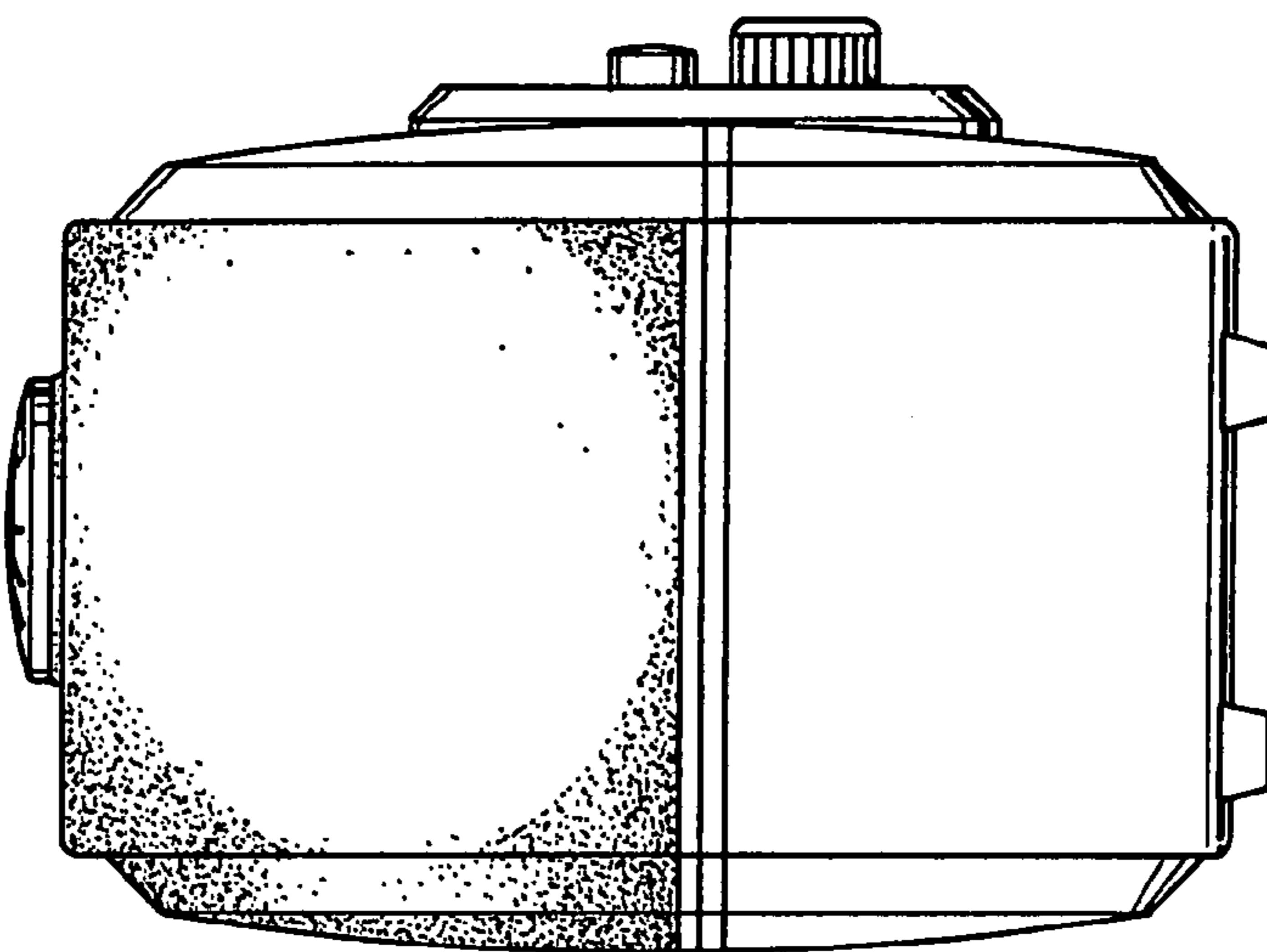


FIG. 5

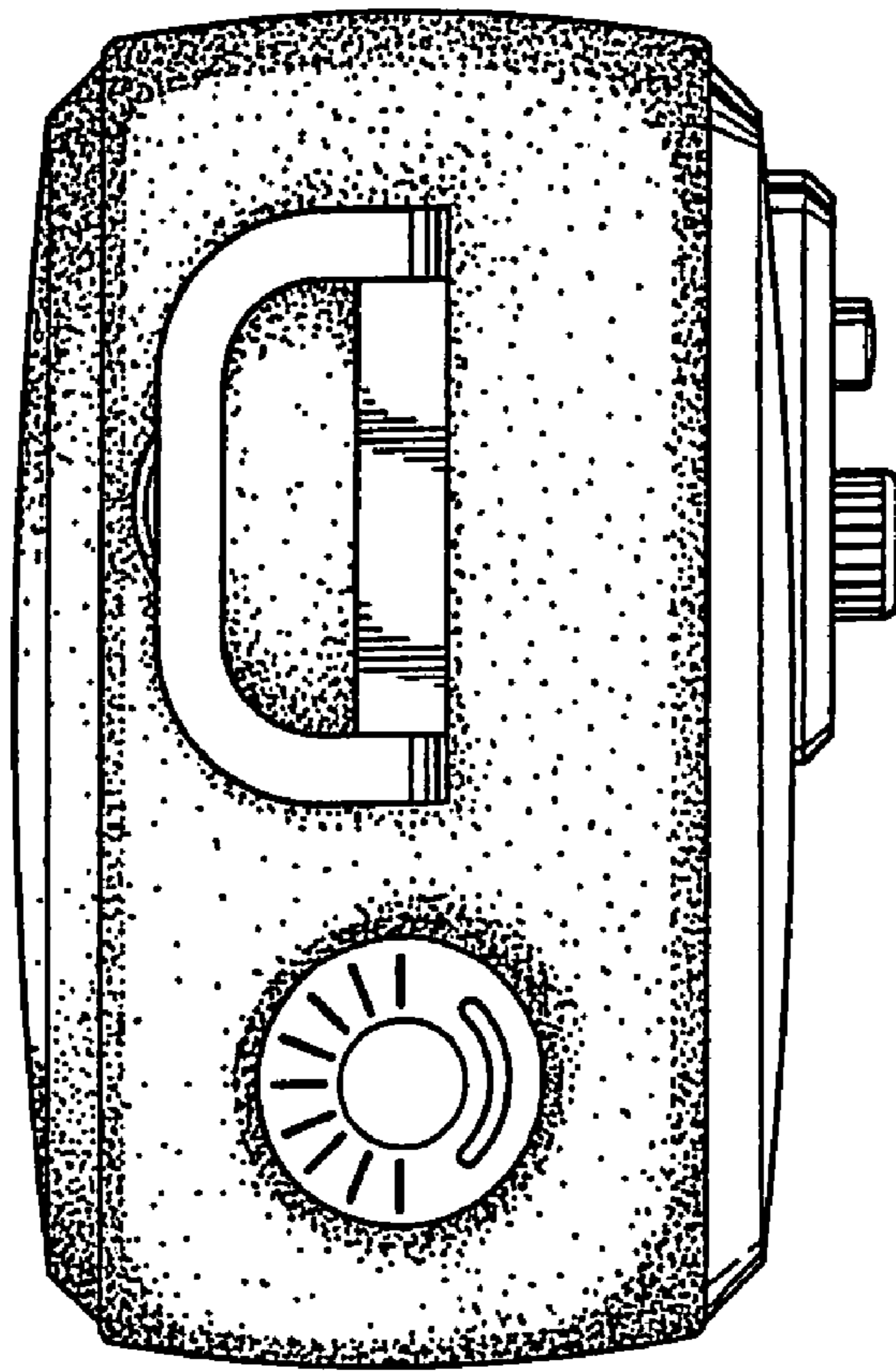


FIG. 6

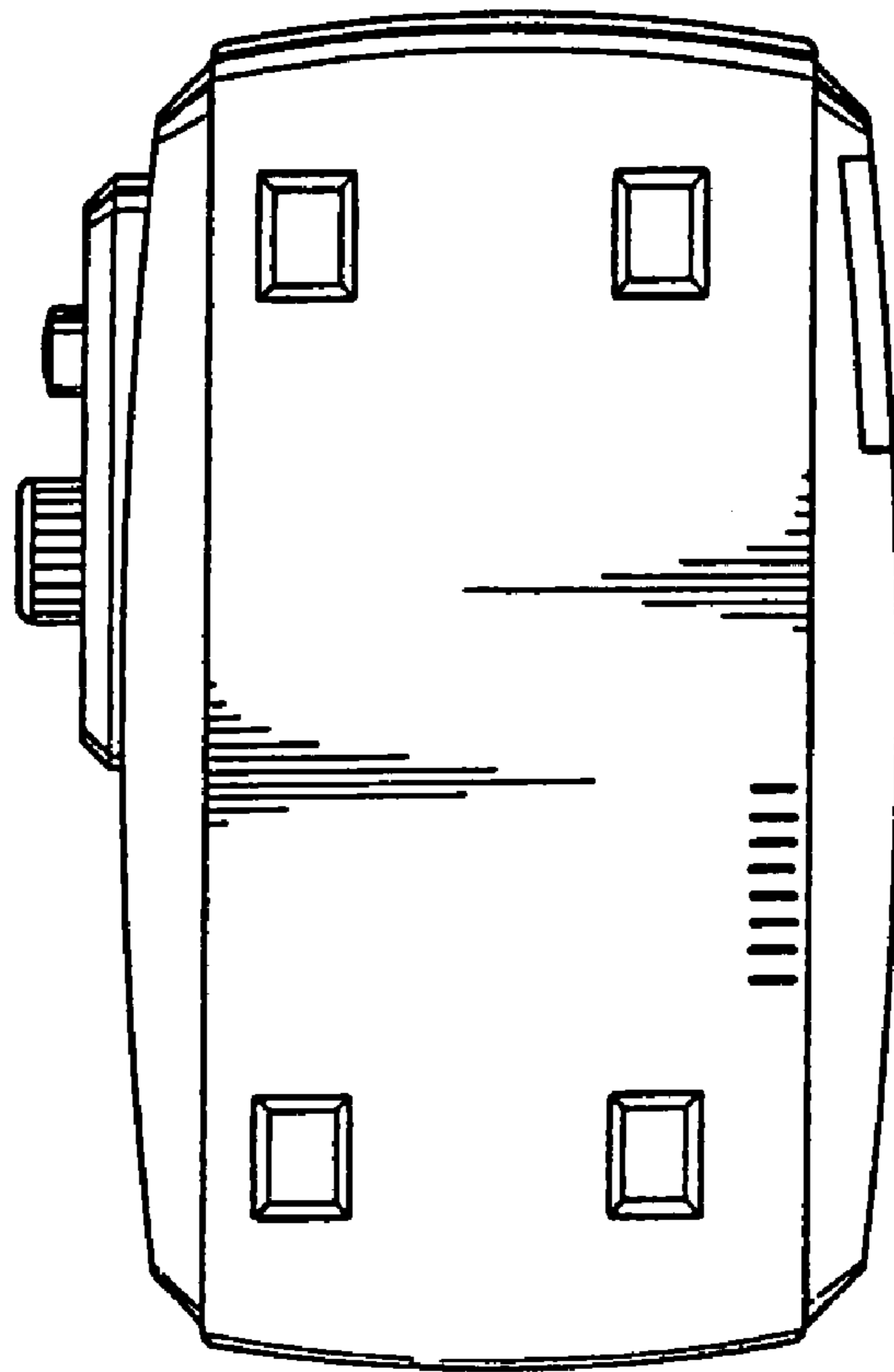


FIG. 7