



US00D552220S

(12) **United States Design Patent** (10) **Patent No.:** **US D552,220 S**
Beutler et al. (45) **Date of Patent:** **** Oct. 2, 2007**

(54) **DOWNSPOUT DISCHARGE ELBOW**

(75) Inventors: **Mark Winn Beutler**, Carmichael, CA (US); **Eugene Scott Sahota**, Auburn, CA (US)

(73) Assignee: **Beutler Corporation**, McClellan, CA (US)

(**) Term: **14 Years**

(21) Appl. No.: **29/259,814**

(22) Filed: **May 16, 2006**

(51) **LOC (8) Cl.** **23-01**

(52) **U.S. Cl.** **D23/267**

(58) **Field of Classification Search** D23/260–261, D23/267; D25/119–125, 141; 52/11–12, 52/16, 73.21, 302.3; D8/371, 380, 394–395; 248/48.1–48.2; 285/179–183; 405/120
See application file for complete search history.

(56) **References Cited**

U.S. PATENT DOCUMENTS

D288,230 S * 2/1987 Thatcher D23/263
4,641,464 A * 2/1987 Andersson et al. 52/16
D288,840 S * 3/1987 Williams D23/261
5,159,789 A * 11/1992 Haapanen 52/16
D342,782 S * 12/1993 Anderson et al. D23/393
5,375,891 A * 12/1994 Sicotte et al. 285/148.22
5,657,582 A * 8/1997 Chitwood 52/16

6,247,869 B1 * 6/2001 Lichvar 403/205
6,478,499 B1 * 11/2002 Fugman et al. 403/82
D480,787 S * 10/2003 Wilk et al. D23/263
6,634,605 B2 * 10/2003 Bernard et al. 248/68.1
6,874,969 B2 * 4/2005 Jadaud et al. 403/92
7,007,429 B2 * 3/2006 Kim 52/16
2002/0005018 A1 * 1/2002 Popa et al. 52/16
2004/0040219 A1 * 3/2004 Bacik et al. 52/11

* cited by examiner

Primary Examiner—Louis S. Zarfes

Assistant Examiner—Eric L Goodman

(74) *Attorney, Agent, or Firm*—Thomas R. Lampe

(57) **CLAIM**

The ornamental design for a downspout discharge elbow, as shown and described.

DESCRIPTION

FIG. 1 is a perspective view of downspout discharge elbow showing my design;

FIG. 2 is a top plan view thereof;

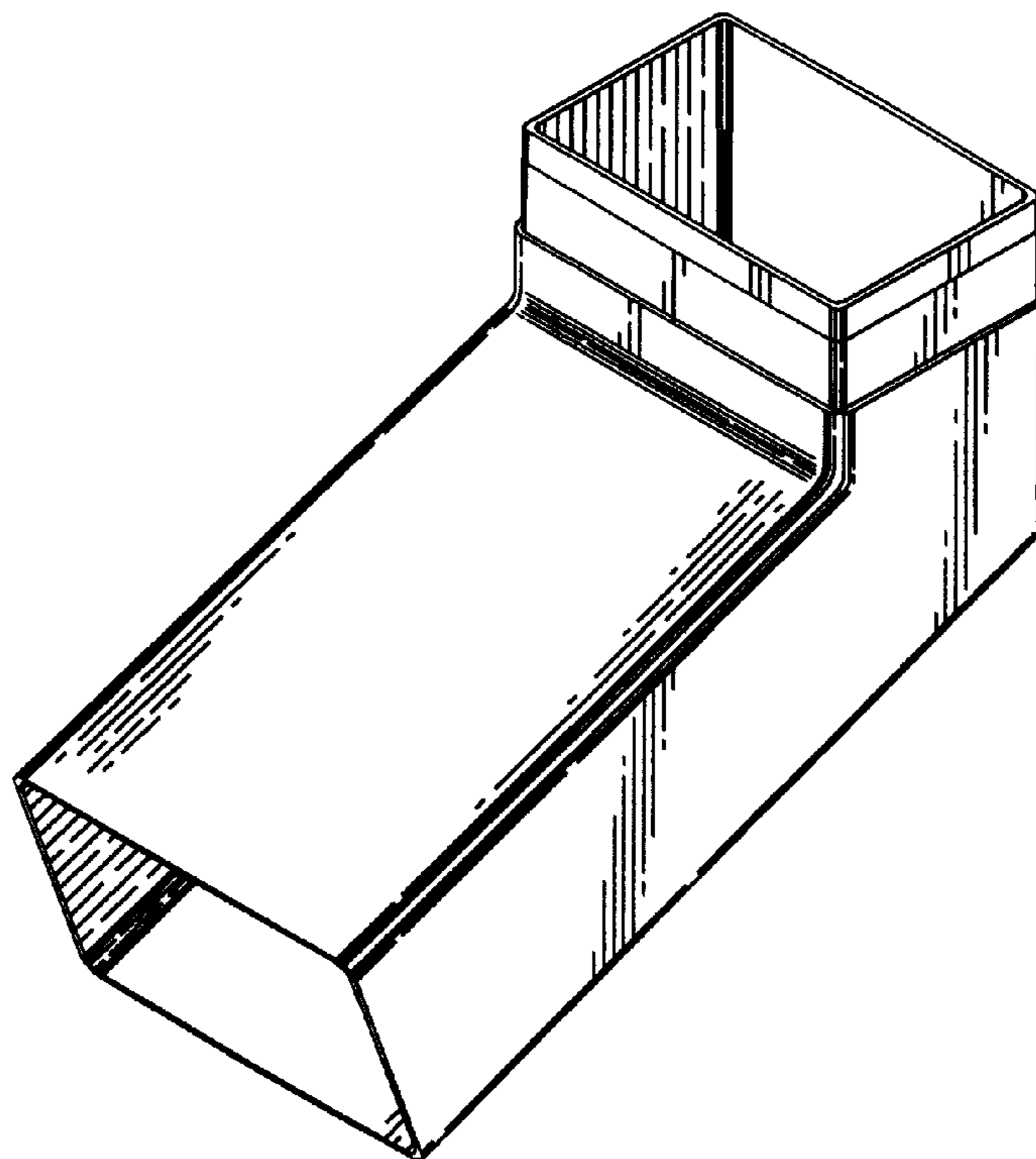
FIG. 3 is a right side elevation view thereof, the left side elevation view thereof being a mirror image;

FIG. 4 is a bottom plan view thereof;

FIG. 5 is a front elevation view thereof; and,

FIG. 6 is a rear elevation view thereof.

1 Claim, 3 Drawing Sheets



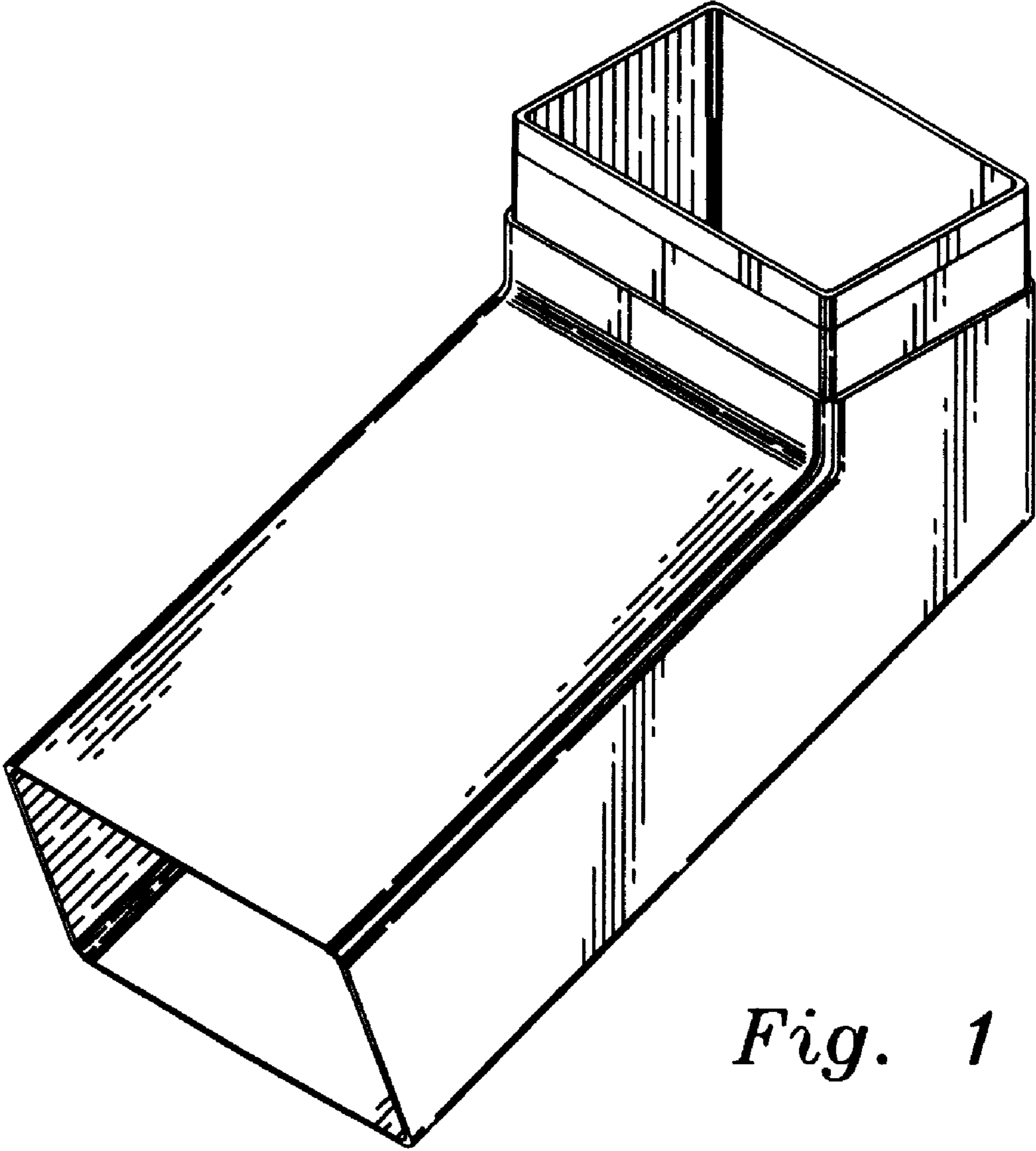


Fig. 1

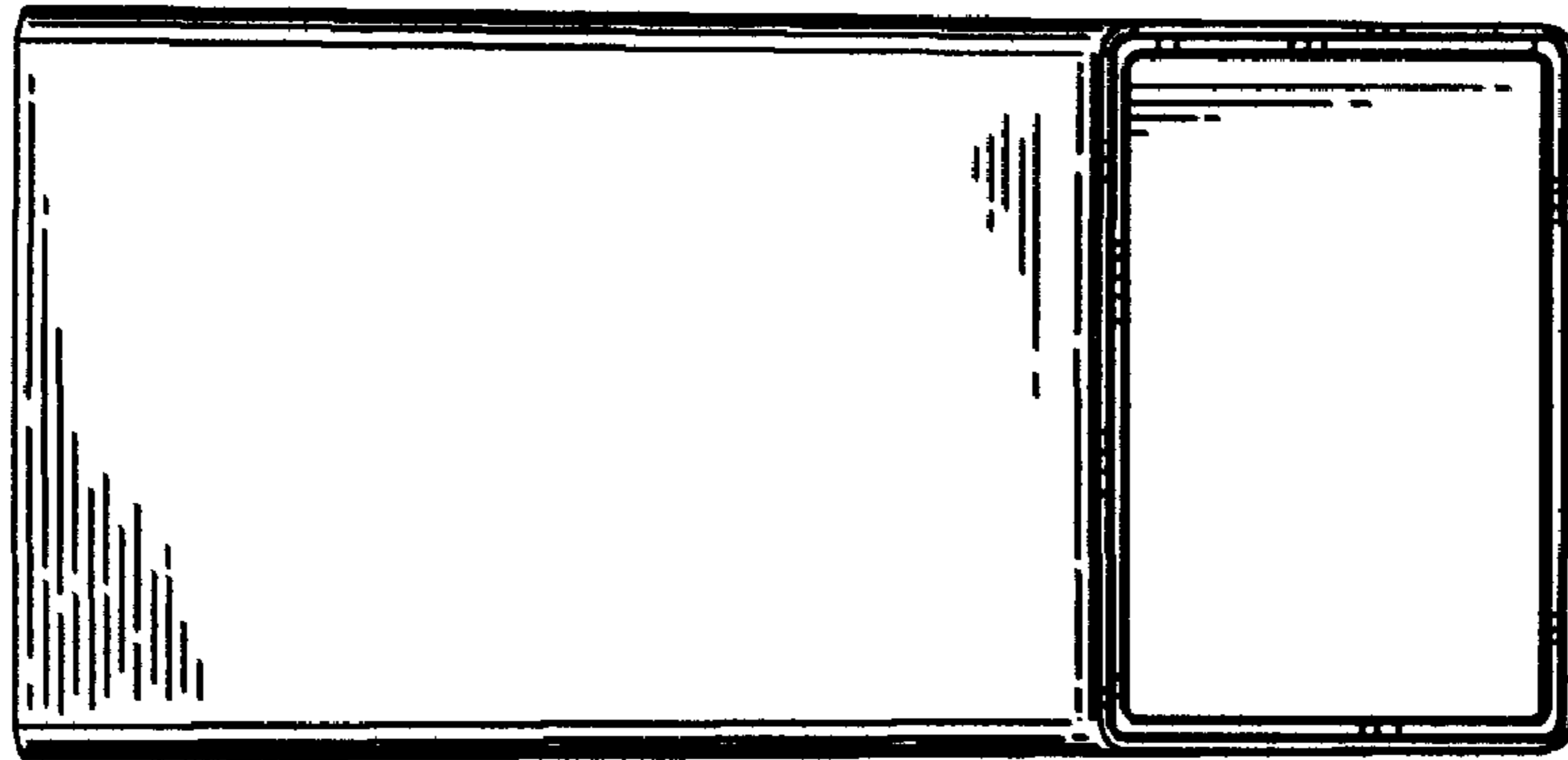


Fig. 2

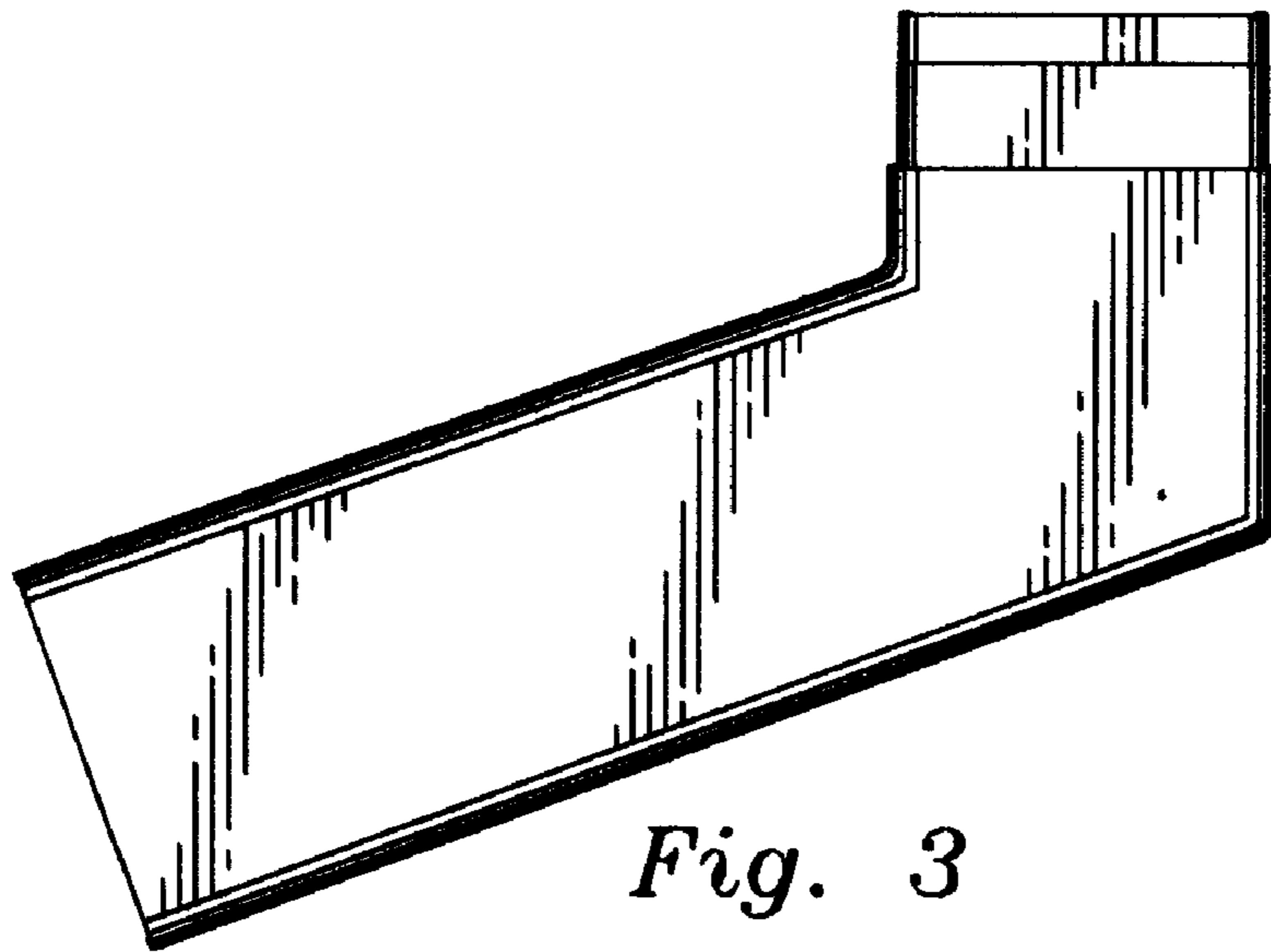


Fig. 3

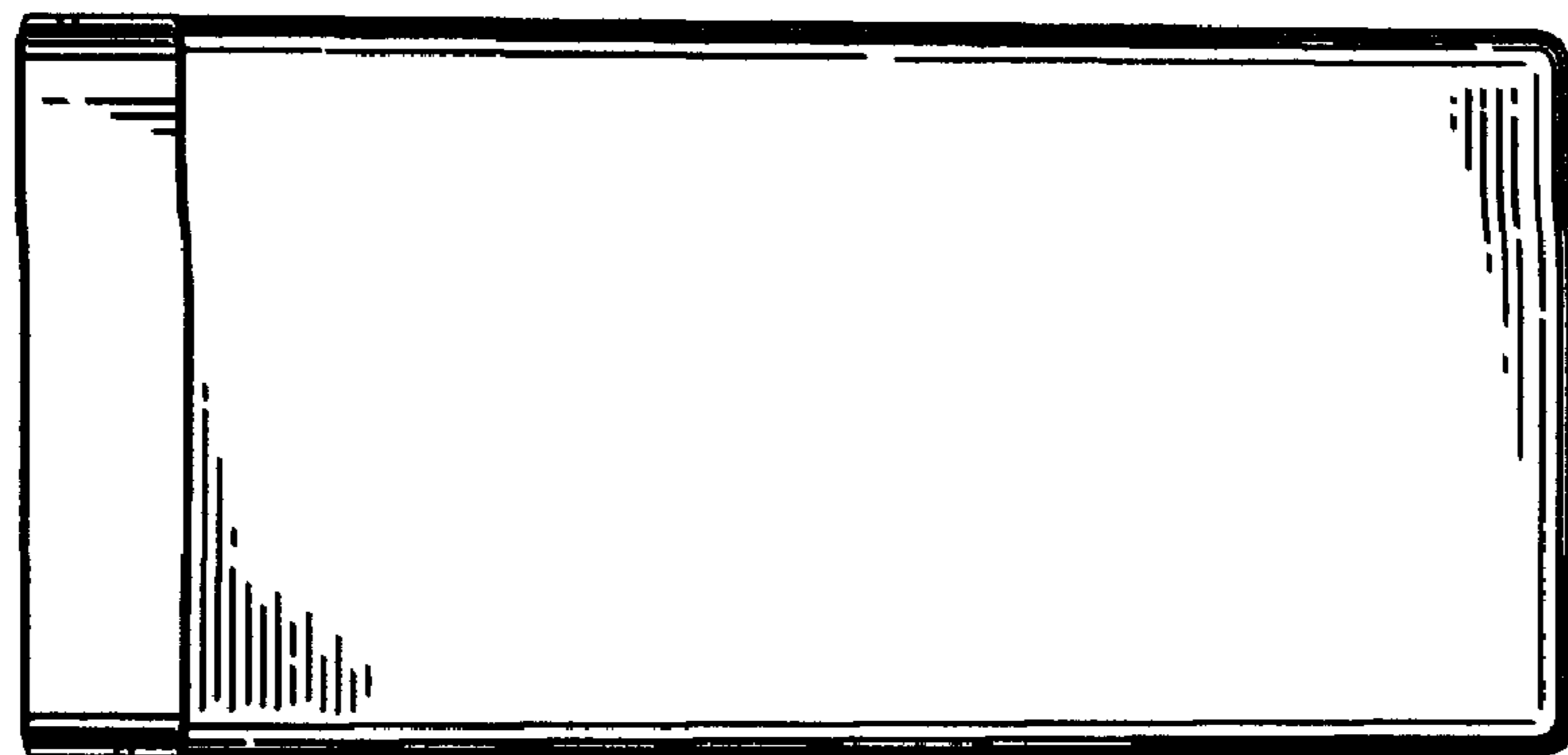


Fig. 4

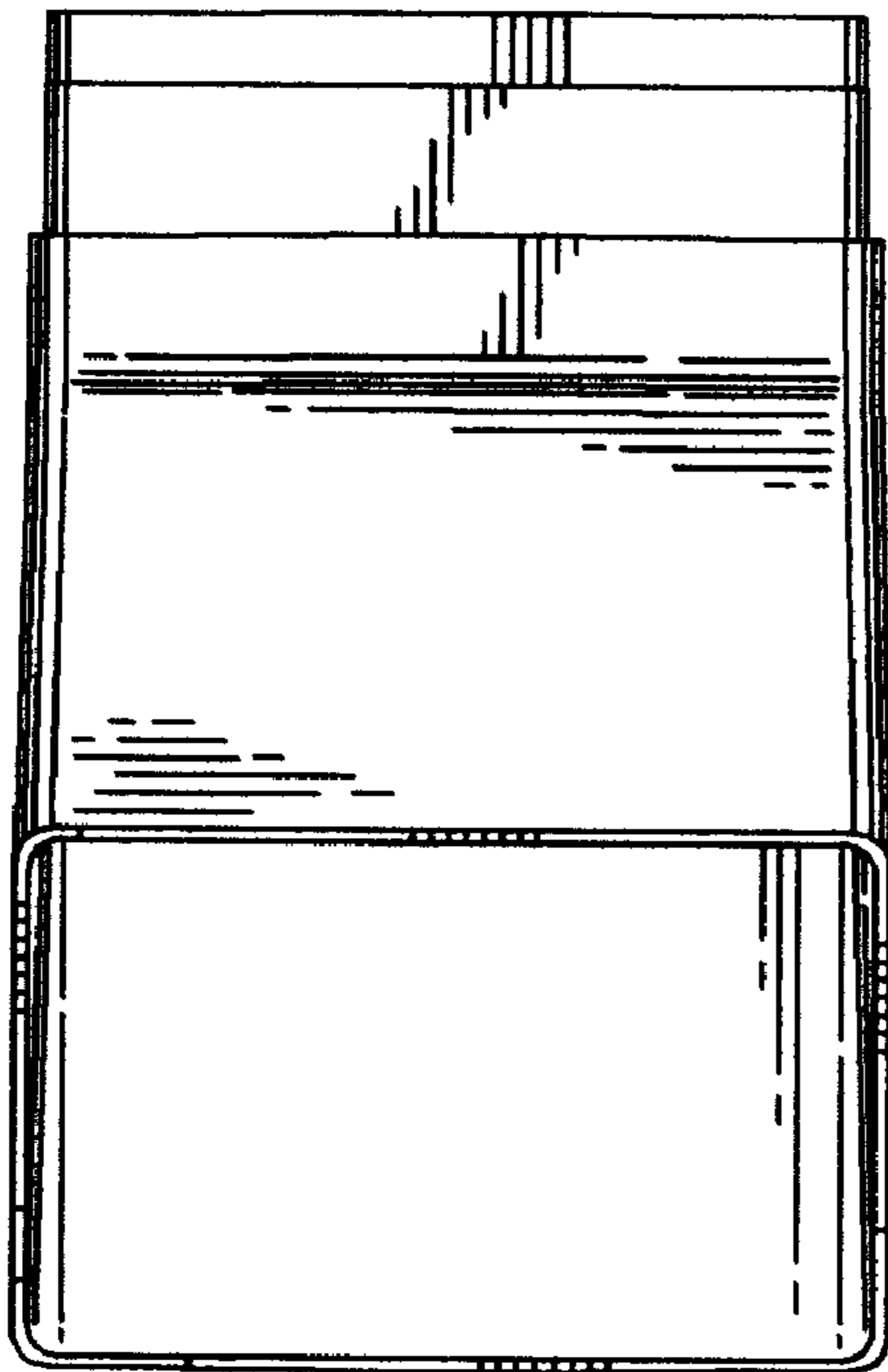


Fig. 5

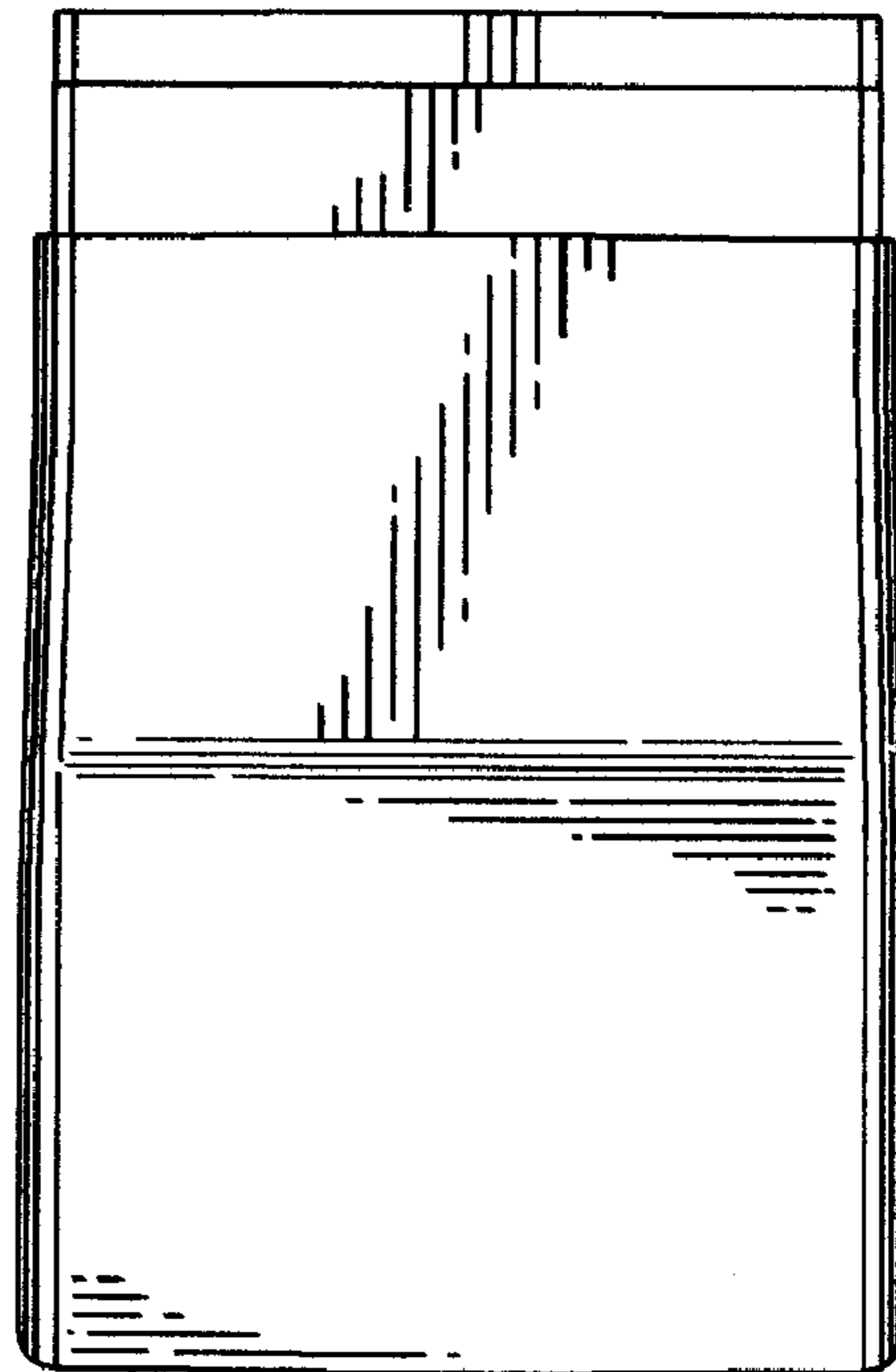


Fig. 6