



US00D552218S

(12) **United States Design Patent**
Aldredge

(10) **Patent No.:** **US D552,218 S**

(45) **Date of Patent:** **** Oct. 2, 2007**

(54) **COPPER RAIN GUTTER**

(74) *Attorney, Agent, or Firm*—Robert J Doherty

(76) **Inventor:** **James Aldredge**, 1855 Elmwood Ave.,
Warwick, RI (US) 02888

(57) **CLAIM**

The ornamental design for a copper rain gutter, as shown and described.

(**) **Term:** **14 Years**

(21) **Appl. No.:** **29/241,196**

(22) **Filed:** **Oct. 26, 2005**

DESCRIPTION

(51) **LOC (8) Cl.** **23-01**

(52) **U.S. Cl.** **D23/267**

(58) **Field of Classification Search** D23/260–261,
D23/267; D25/119–125, 141; D8/380, 394–395,
D8/371; 52/11–12, 73.21, 302.3; 248/48.1–48.2
See application file for complete search history.

FIG. 1 is a front perspective view of a copper rain gutter of indefinite length mounted on the eave of a house and showing my new design;

FIG. 2 is an enlarged view of the left side of the copper rain gutter showing my design;

FIG. 3 is a left side elevational view of FIG. 2, the right side elevational view being identical;

FIG. 4 is a front elevational view of FIG. 2, the rear elevational view being identical;

FIG. 5 is a top plan view of FIG. 2;

FIG. 6 is a bottom plan view of FIG. 2; and,

FIG. 7 is a front perspective view similar to FIG. 2 but wherein the hanger component is depicted separated from the body component.

The broken line showing of the eave portion of the house shown in FIG. 1 is for the purpose of illustrating environmental structure, while the broken line showing of the brackets are for the purpose of illustrating portions of the article, both forming no part of the claimed design.

(56) **References Cited**

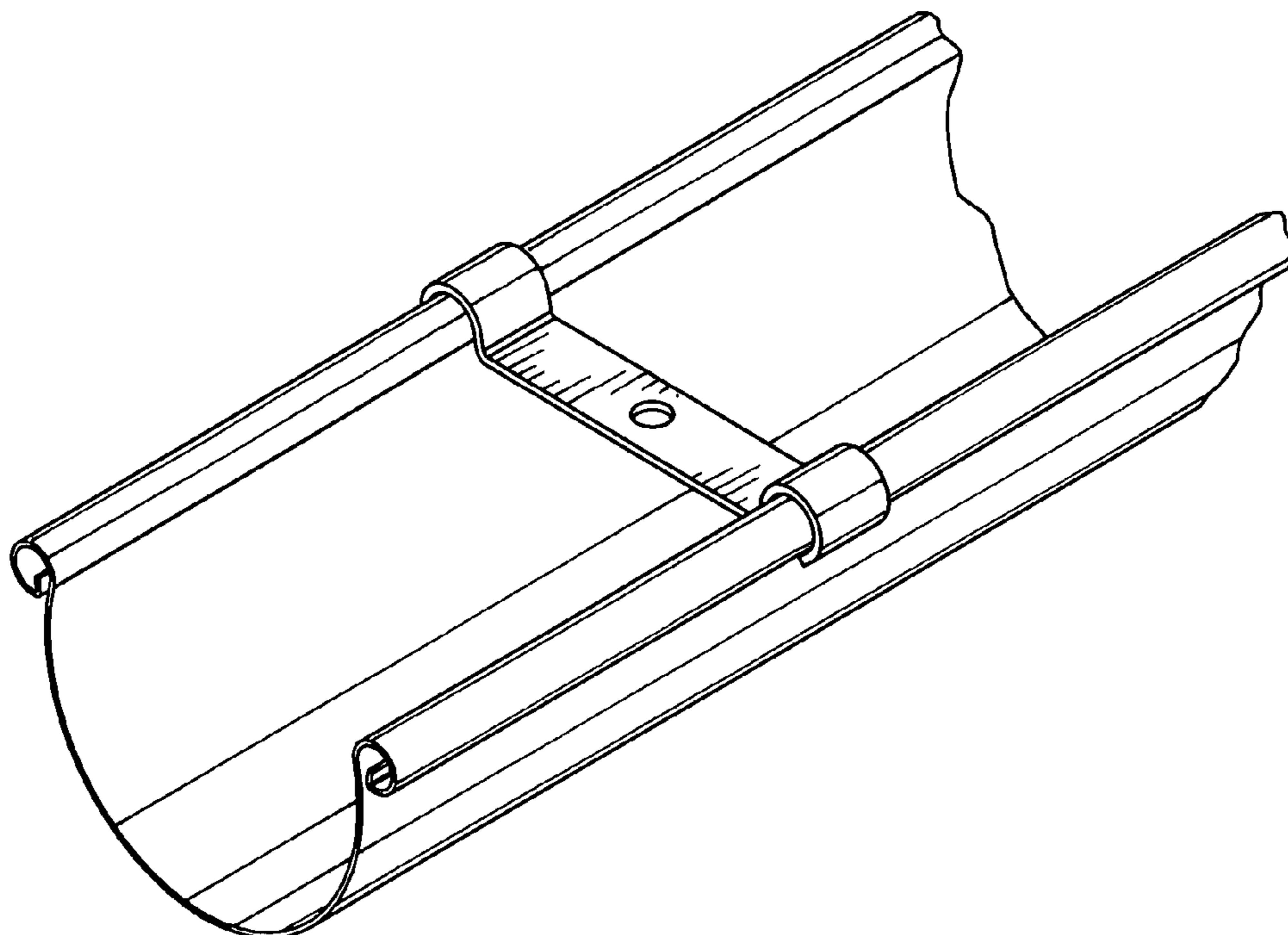
U.S. PATENT DOCUMENTS

667,821	A *	2/1901	Fingles	52/11
1,349,264	A *	8/1920	Busse	210/474
1,401,703	A *	12/1921	Hyre	52/11
1,595,716	A *	8/1926	Ford	248/48.1
3,067,881	A *	12/1962	Goosmann	210/474
3,355,895	A *	12/1967	Bayes et al.	405/120
4,190,988	A *	3/1980	Carreiro	52/16
4,436,518	A *	3/1984	Buss	428/595
6,826,872	B2 *	12/2004	Brochu	52/12
2003/0188493	A1 *	10/2003	Walters	52/11

* cited by examiner

Primary Examiner—Louis S. Zarfaz
Assistant Examiner—Eric L. Goodman

1 Claim, 5 Drawing Sheets



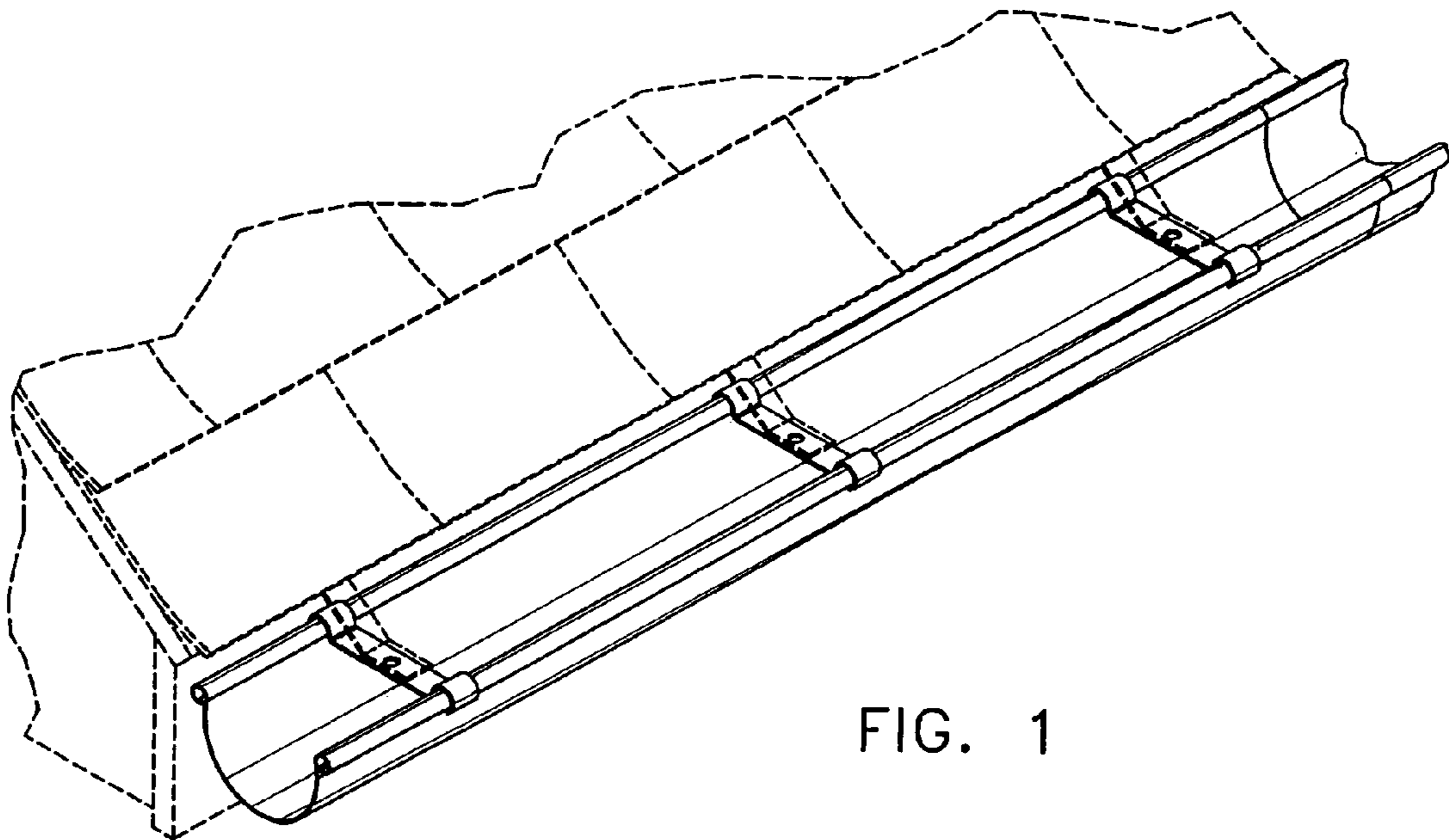


FIG. 1

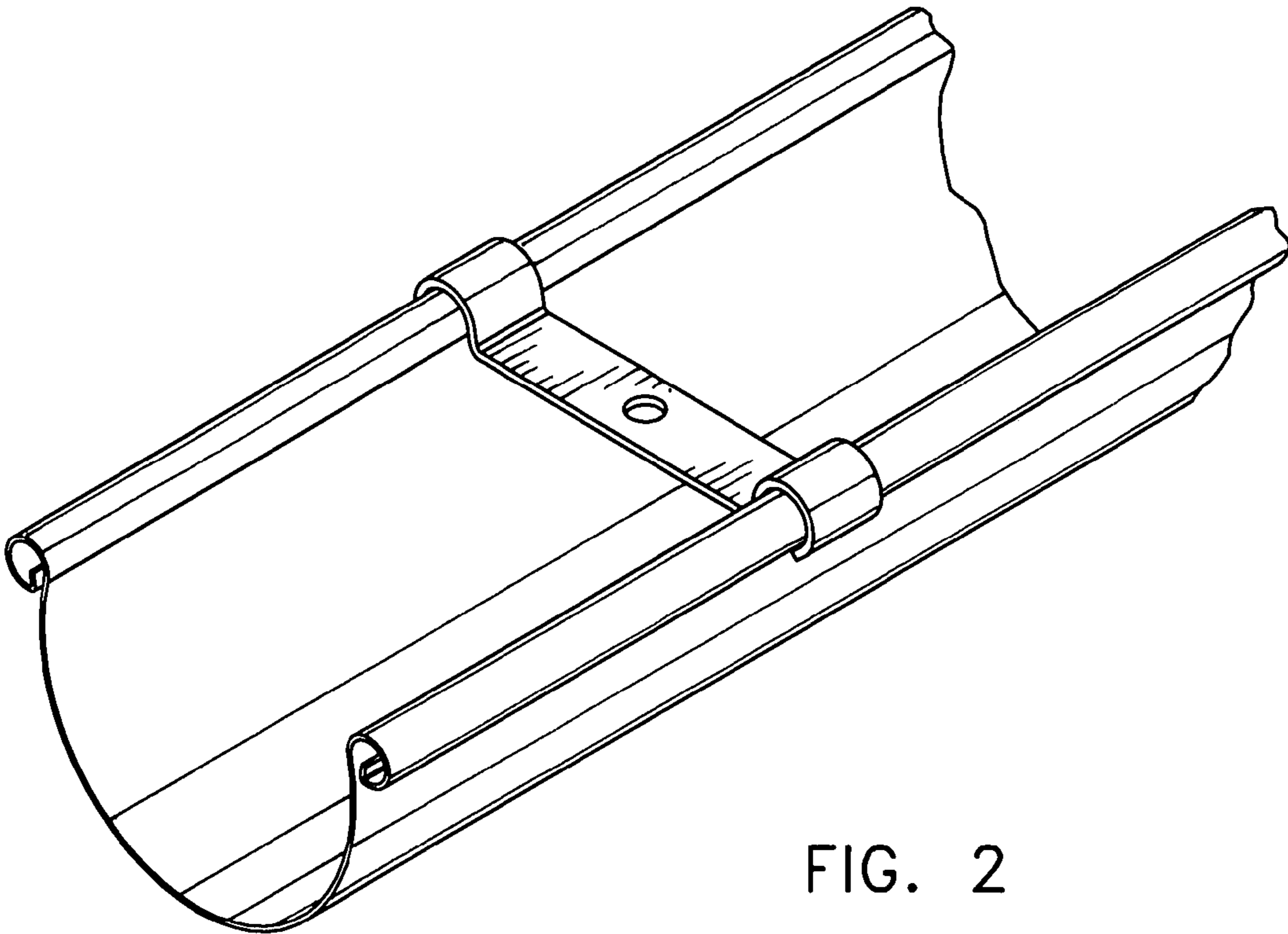


FIG. 2

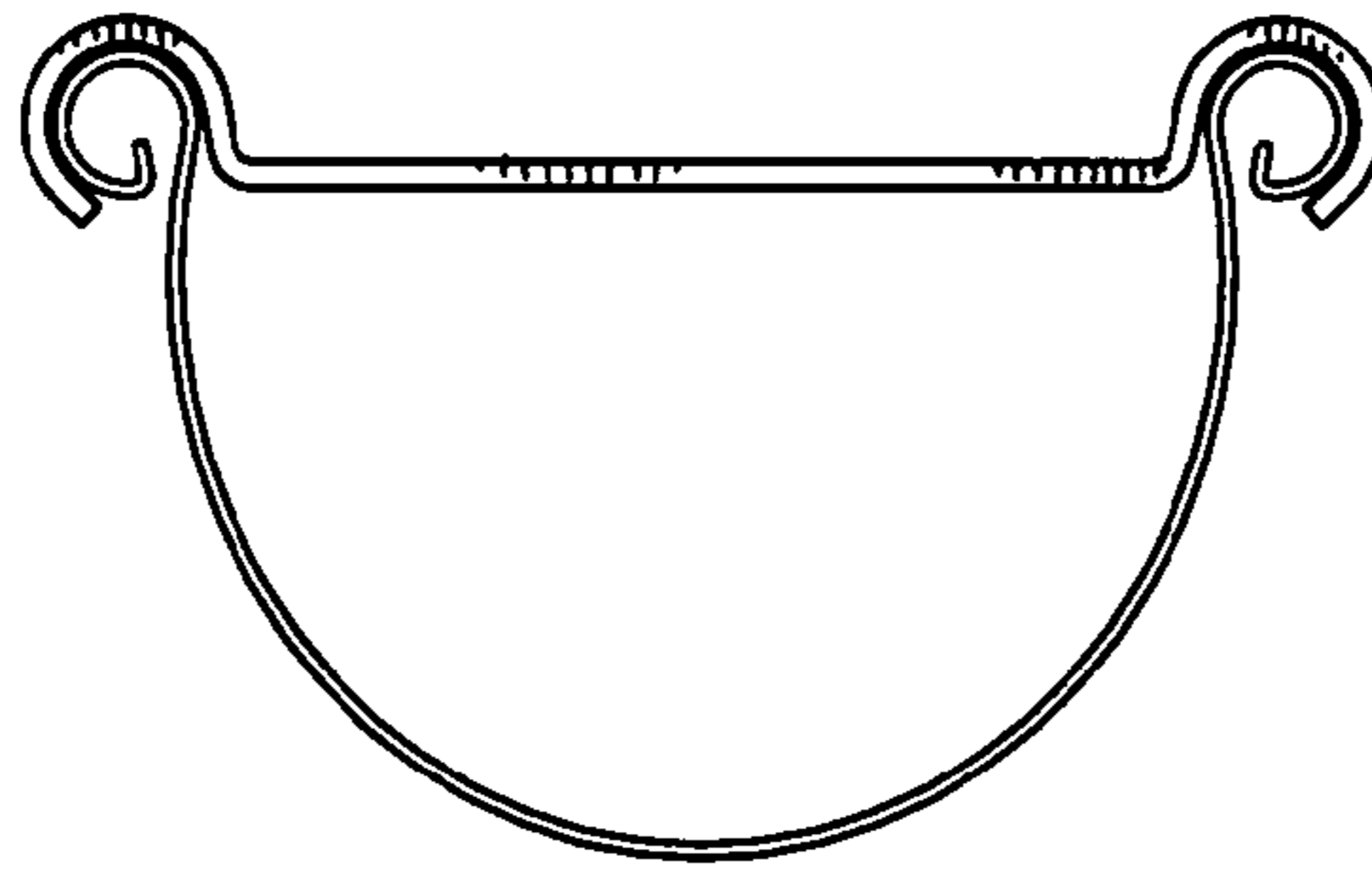


FIG. 3

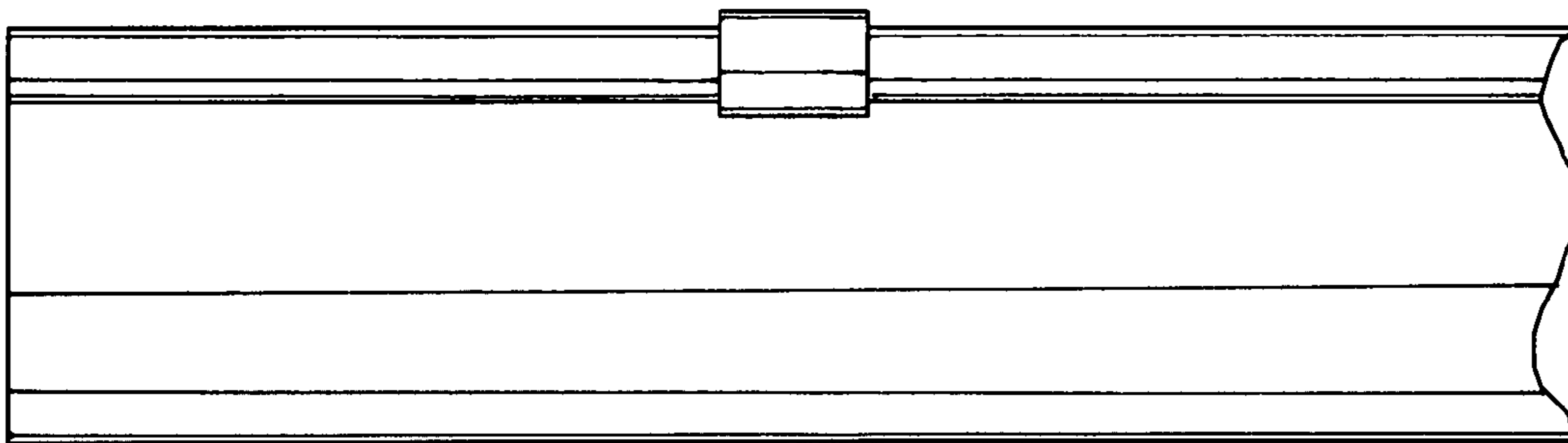


FIG. 4

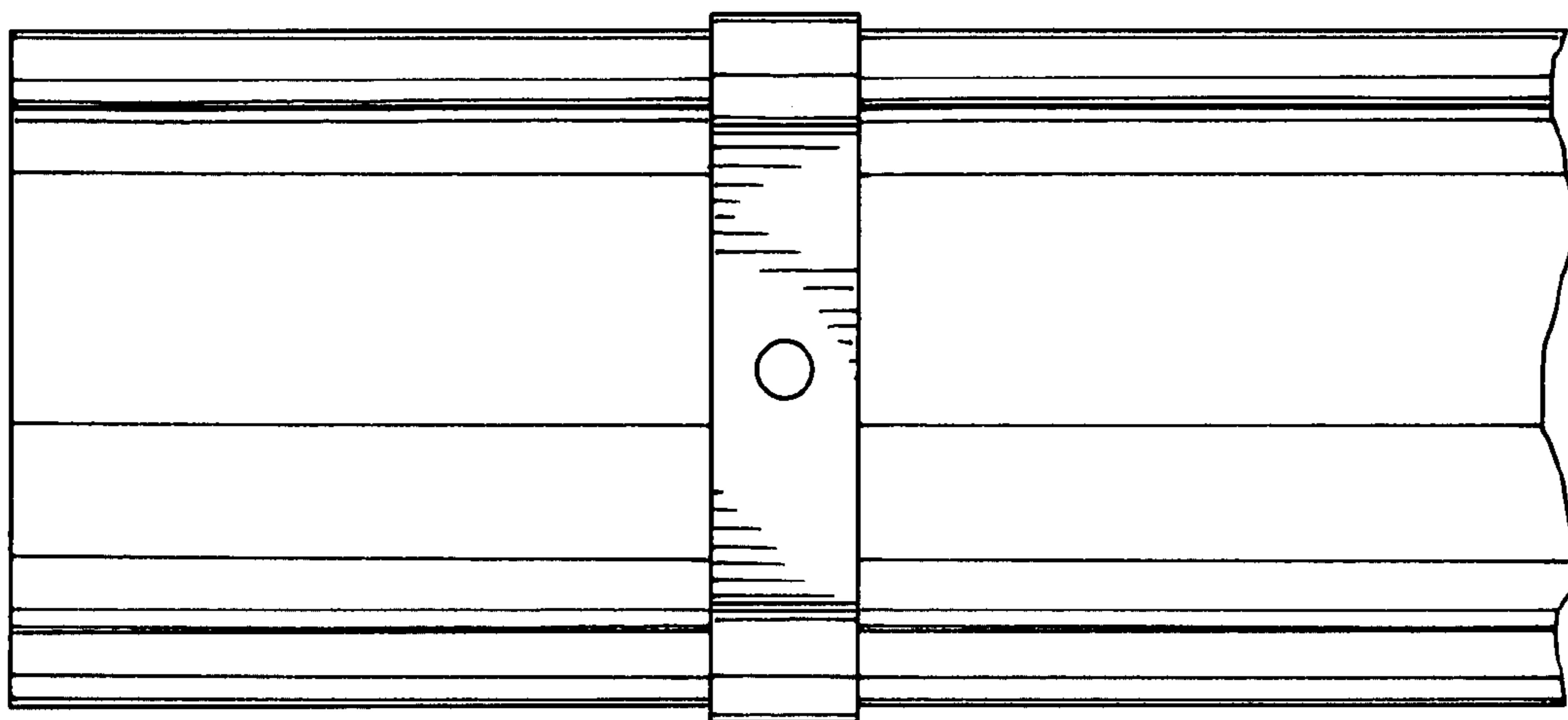


FIG. 5

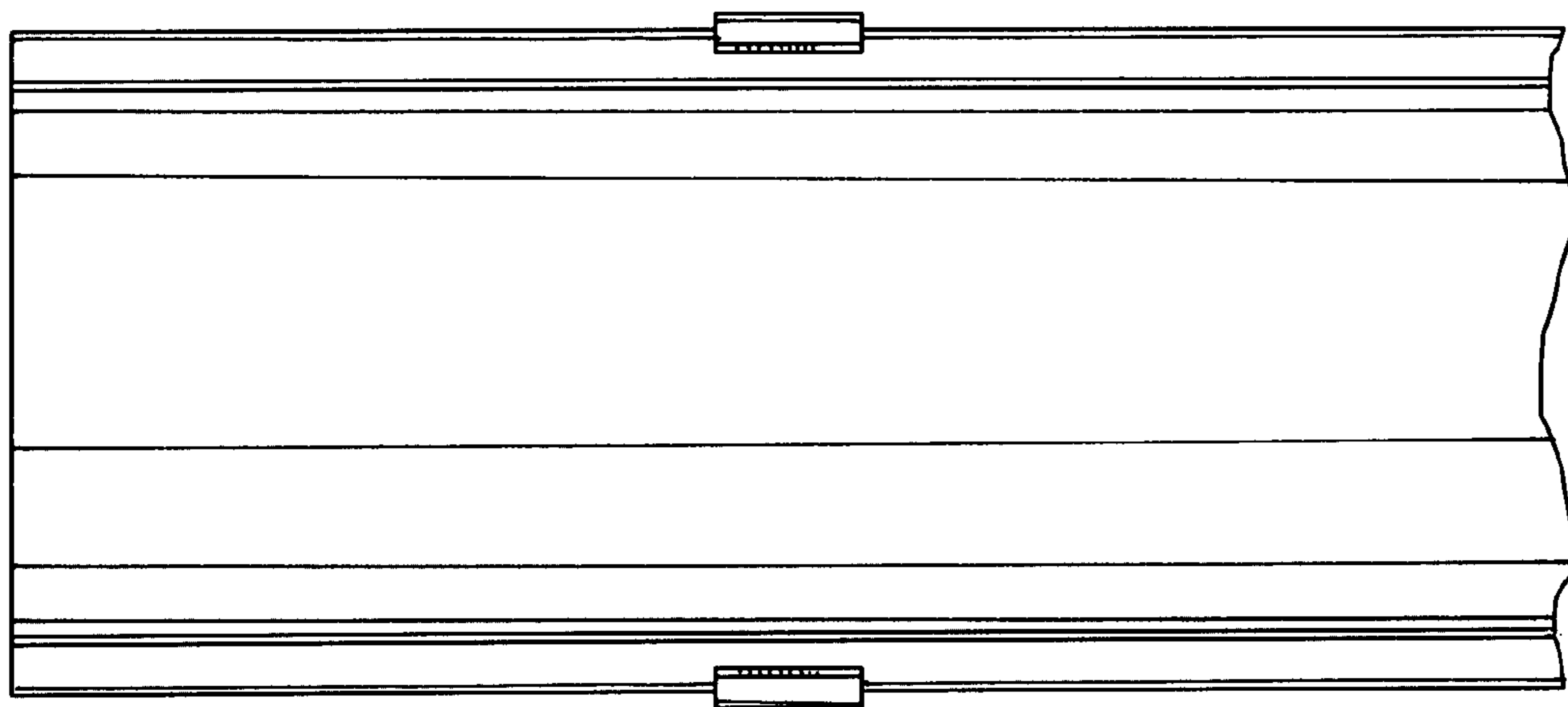


FIG. 6

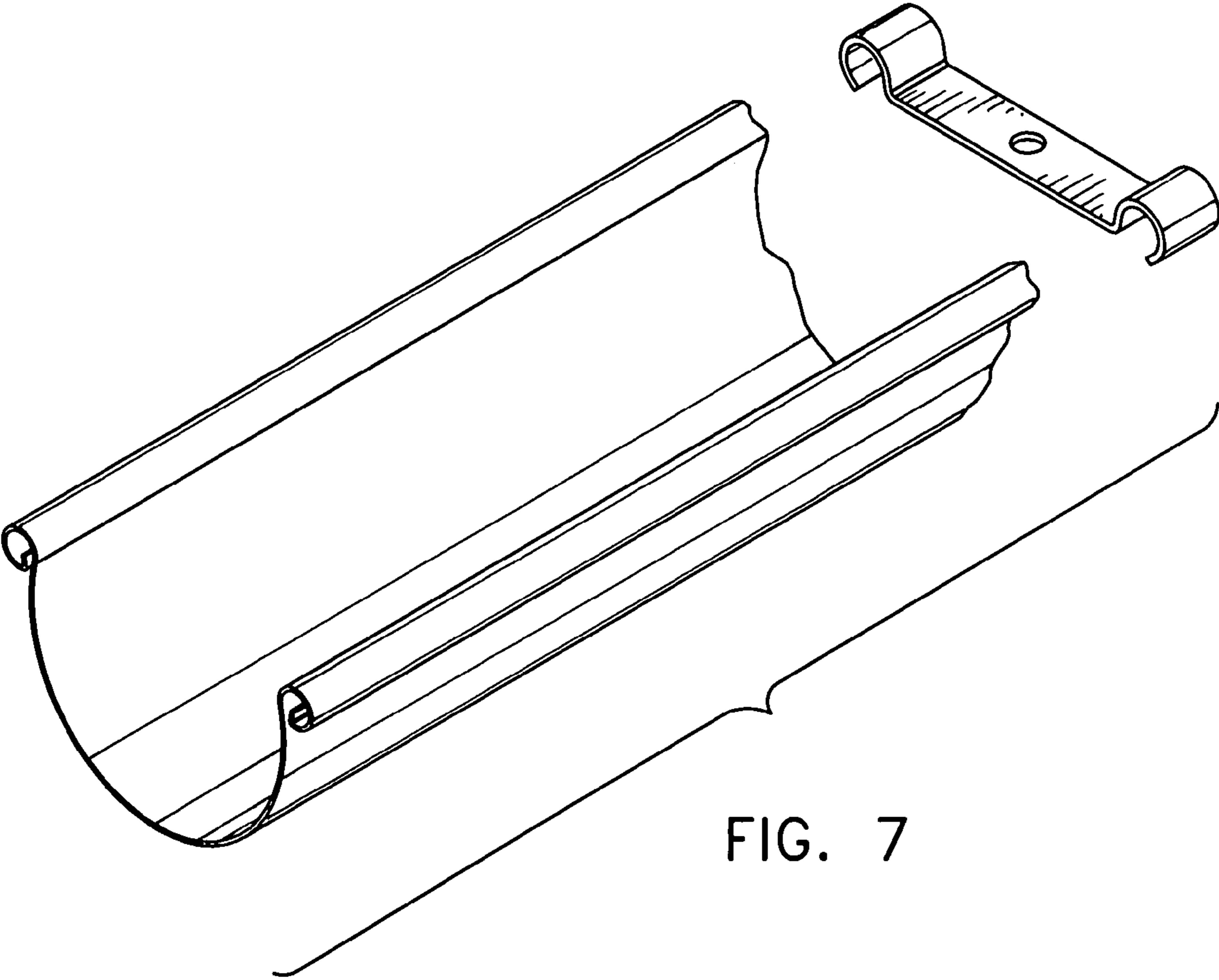


FIG. 7