



US00D552217S

(12) **United States Design Patent** (10) **Patent No.:** **US D552,217 S**
Norton et al. (45) **Date of Patent:** **** Oct. 2, 2007**

(54) **HOSE BRIDGE EXTENSION**

(75) Inventors: **Tom Norton**, Bay Village, OH (US);
Anthony Petti, Cleveland, OH (US)

(73) Assignee: **Cleveland Reclaim Industries, Inc**,
Lorain, OH (US)

(**) Term: **14 Years**

(21) Appl. No.: **29/235,827**

(22) Filed: **Aug. 5, 2005**

(51) **LOC (8) Cl.** **23-01**

(52) **U.S. Cl.** **D23/259**

(58) **Field of Classification Search** D23/259,
D23/266; D25/119-120, 123, 125; 14/69.5;
104/275-277; 138/106, 110; 174/101, 117 F,
174/117 FF; 404/15

See application file for complete search history.

(56) **References Cited**

U.S. PATENT DOCUMENTS

1,838,746	A *	12/1931	Day	104/275
2,150,591	A *	3/1939	Taylor	104/275
D370,717	S	6/1996	Ziaylek, Jr. et al.		
5,566,622	A *	10/1996	Ziaylek et al.	104/275
6,067,681	A	5/2000	Zeinstra et al.		
6,287,047	B1 *	9/2001	Dufresne	404/15
6,747,212	B1 *	6/2004	Henry	174/101
6,878,881	B1 *	4/2005	Henry	174/101
2002/0078513	A1 *	6/2002	Schouest	14/69.5
2004/0154111	A1 *	8/2004	Trask	14/69.5

OTHER PUBLICATIONS

Modular Hose Bridge System, <http://www.cableorganizer.com/modular-hose-bridge>, Mar. 24, 2006.

Turtle Plastics Hose Bridge Sets, portion of http://www.chiefsupply.com/hose_nozzles.phtml, available Jul. 25, 2004 per www.archive.org.

Modular Hose Bridge System, <http://cableorganizer.com/modular-hose-bridge/>, available Feb. 6, 2005 per www.archive.org.

Modular Hose Bridge System, <http://www.cableorganizer.com/modular-hose-bridge/>, available Aug. 31, 2003 per www.archive.org.

* cited by examiner

Primary Examiner—Louis S. Zarfes

Assistant Examiner—Eric L. Goodman

(74) *Attorney, Agent, or Firm*—Calfee, Halter & Griswold LLP

(57) **CLAIM**

We claim the ornamental design for a hose bridge extension, as shown and described.

DESCRIPTION

FIG. 1 is a top-front-left isometric view of the hose bridge extension showing the new design;

FIG. 2 is a top plan view thereof;

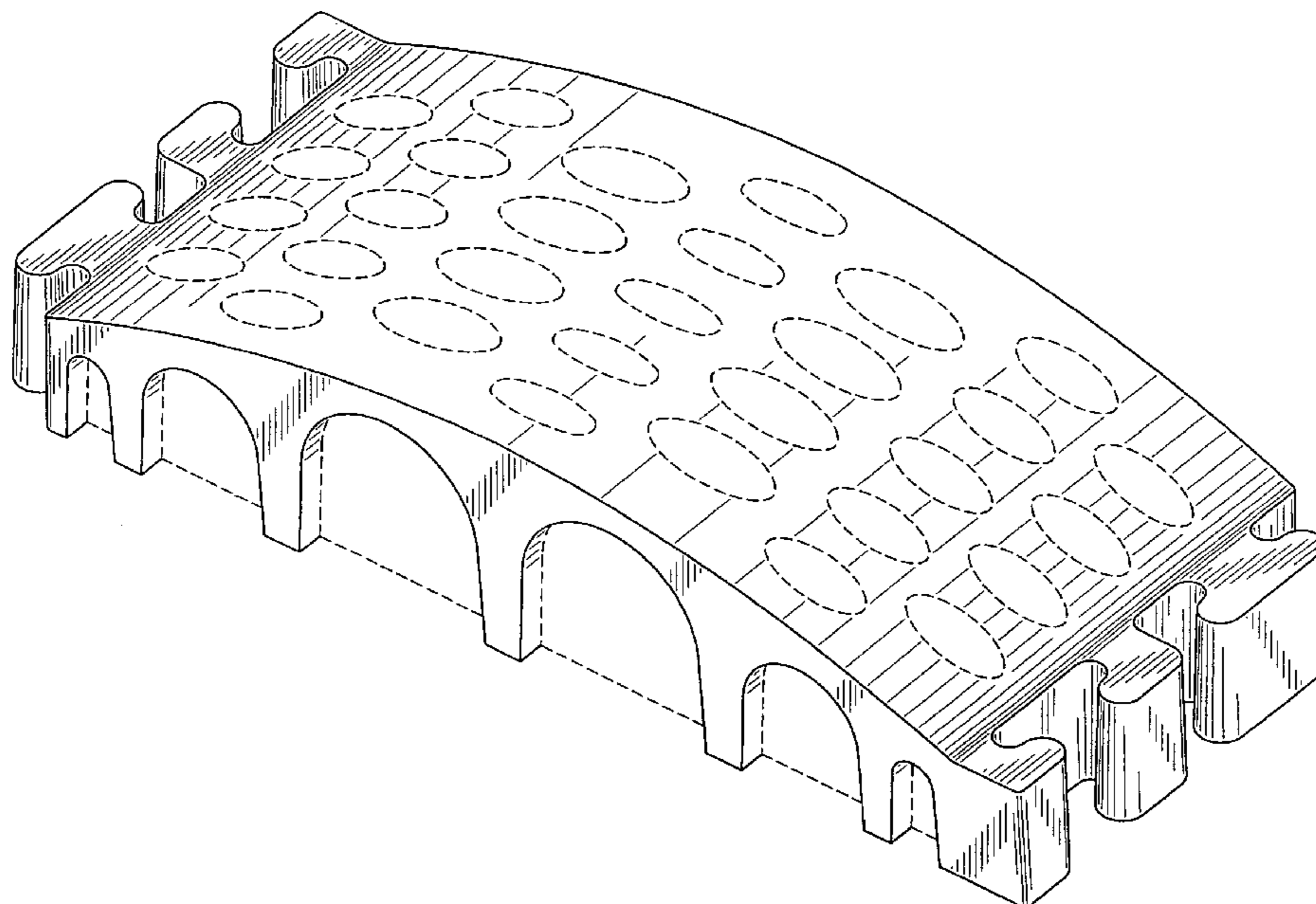
FIG. 3 is a left side elevational view thereof, for which the right side elevational view would be identical;

FIG. 4 is a front elevational view thereof, for which the rear elevational view would be identical; and,

FIG. 5 is a bottom plan view thereof.

The broken lines in the figures represent the bounds of the claimed design and form no part of the claimed design.

1 Claim, 5 Drawing Sheets



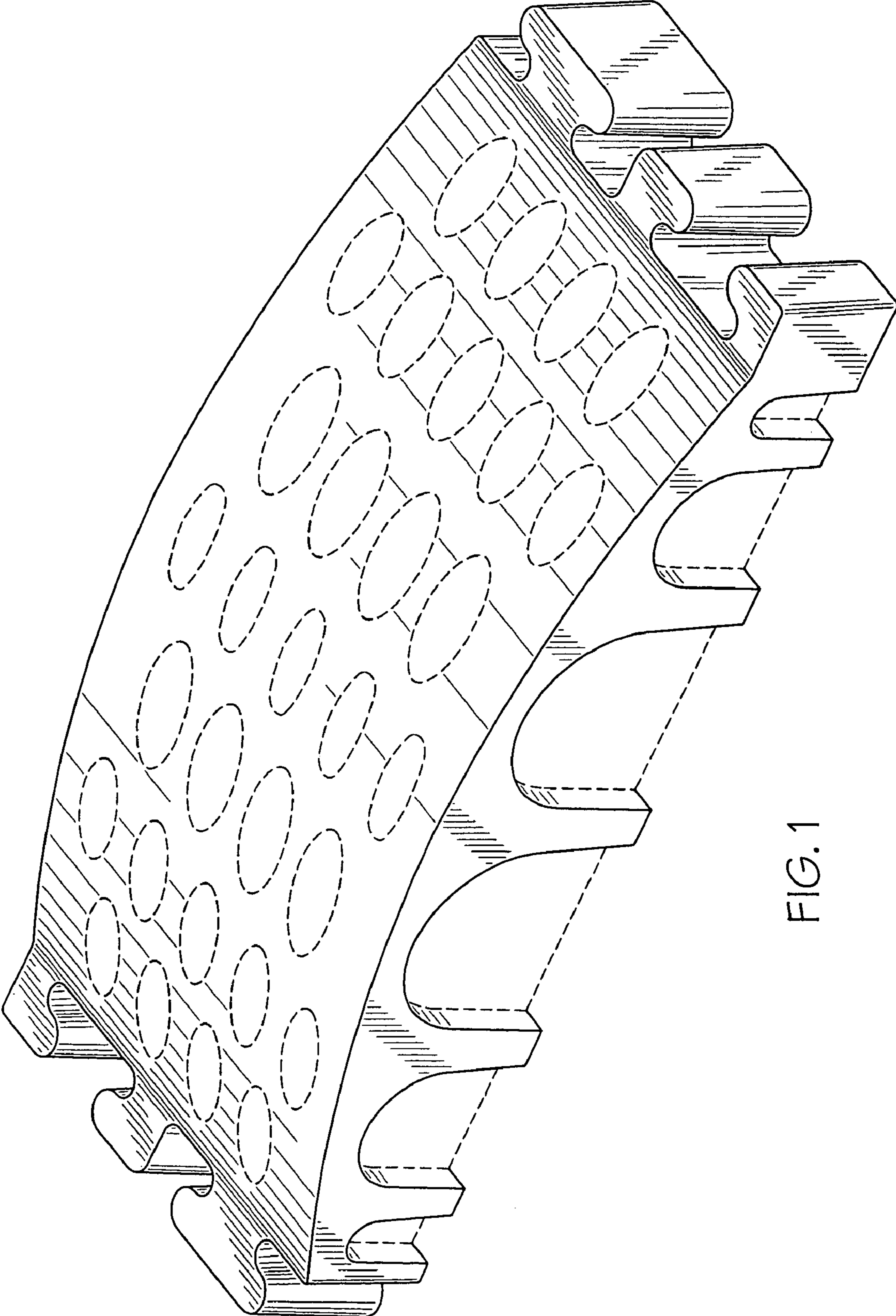


FIG. 1

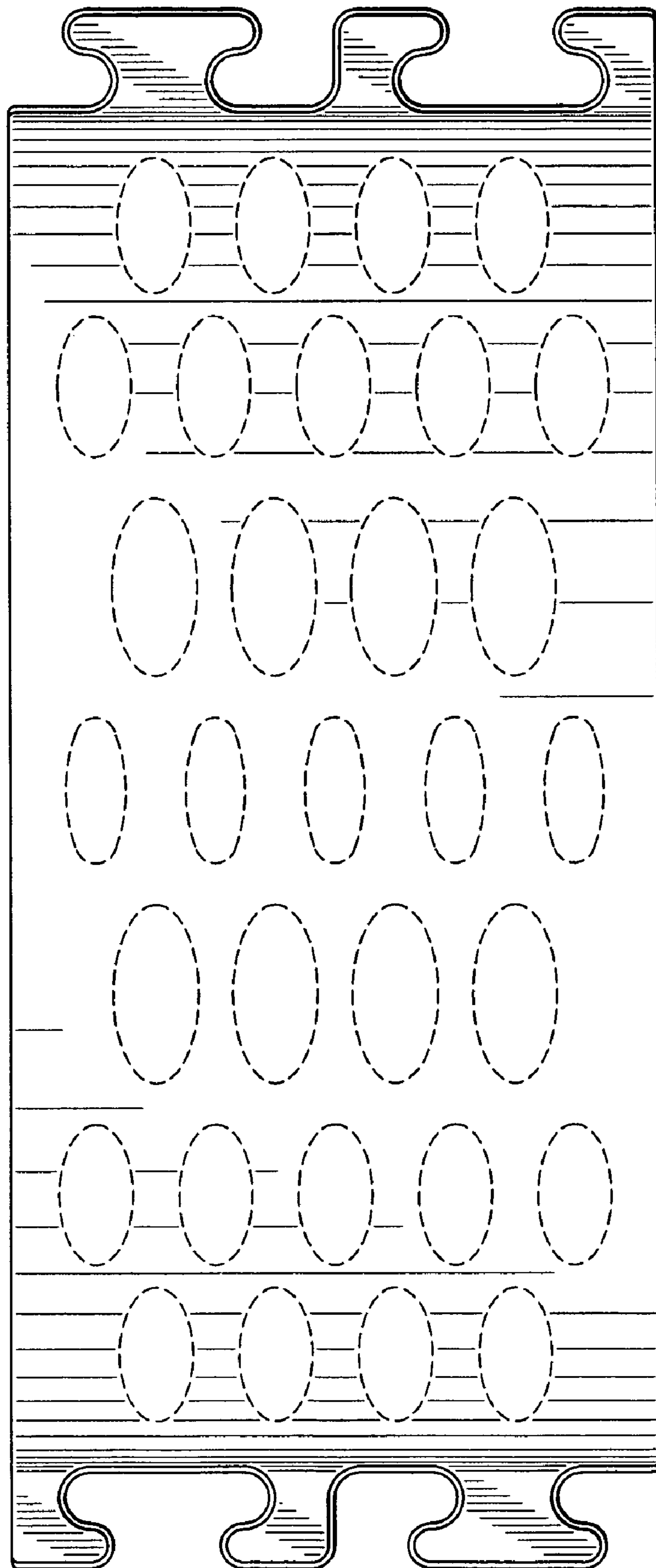


FIG. 2

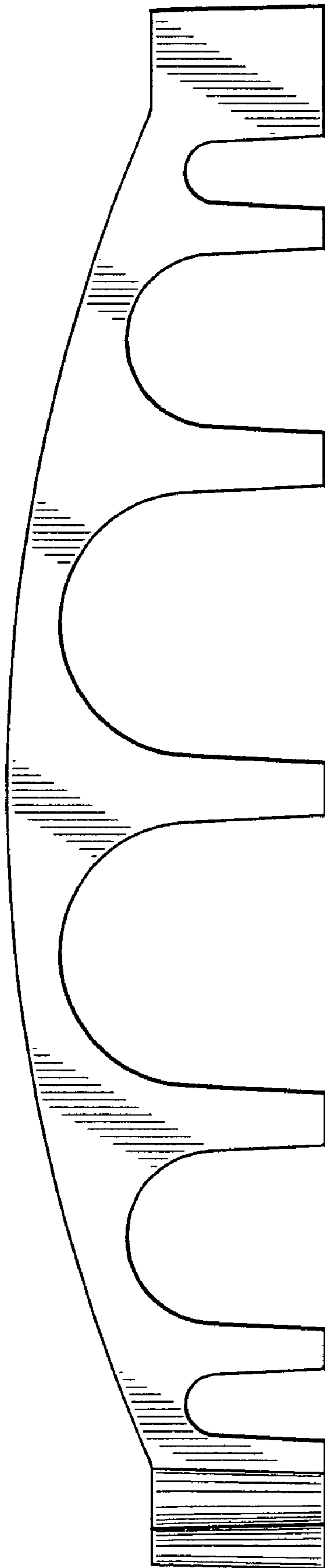


FIG. 3

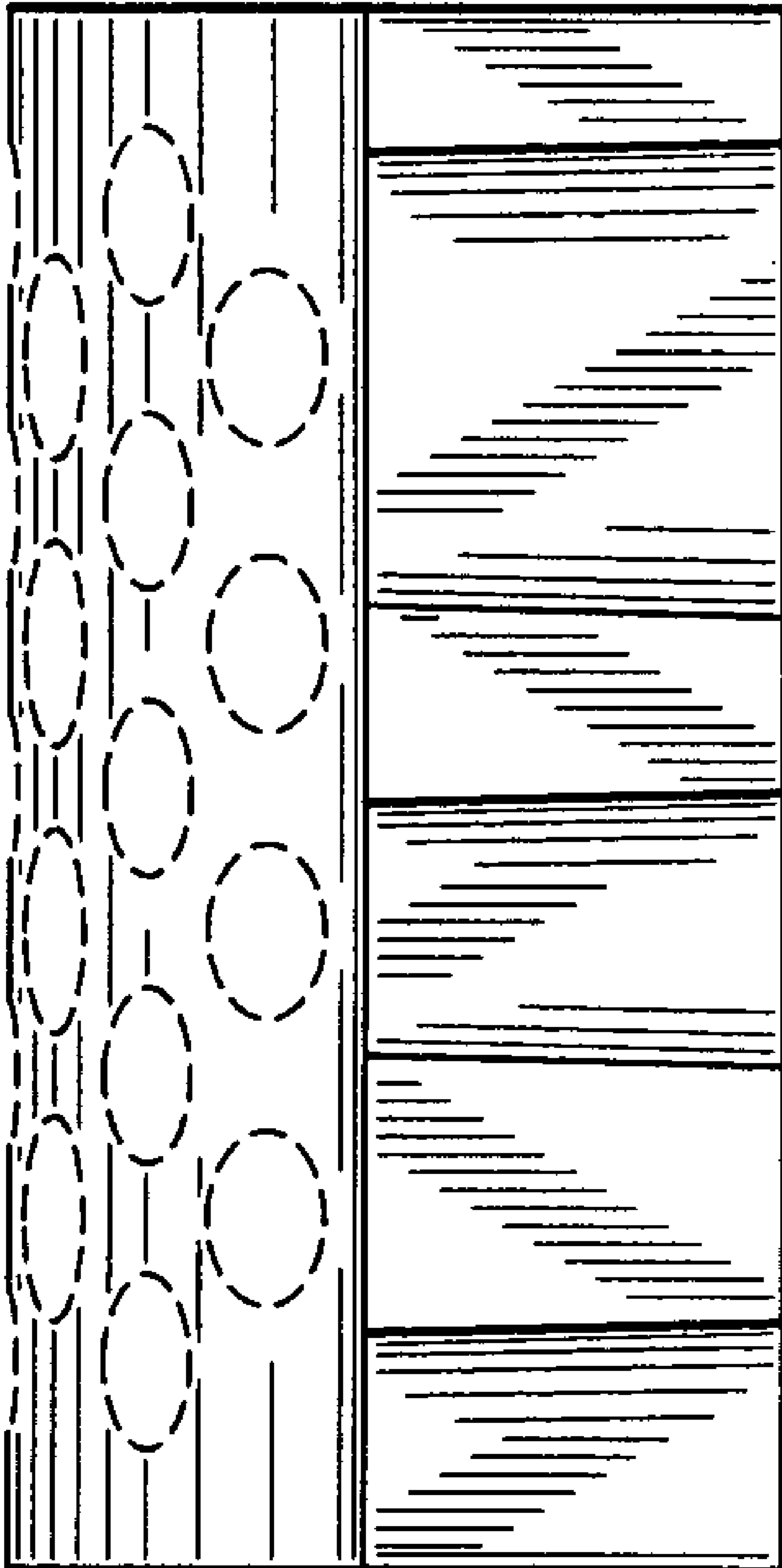


FIG. 4

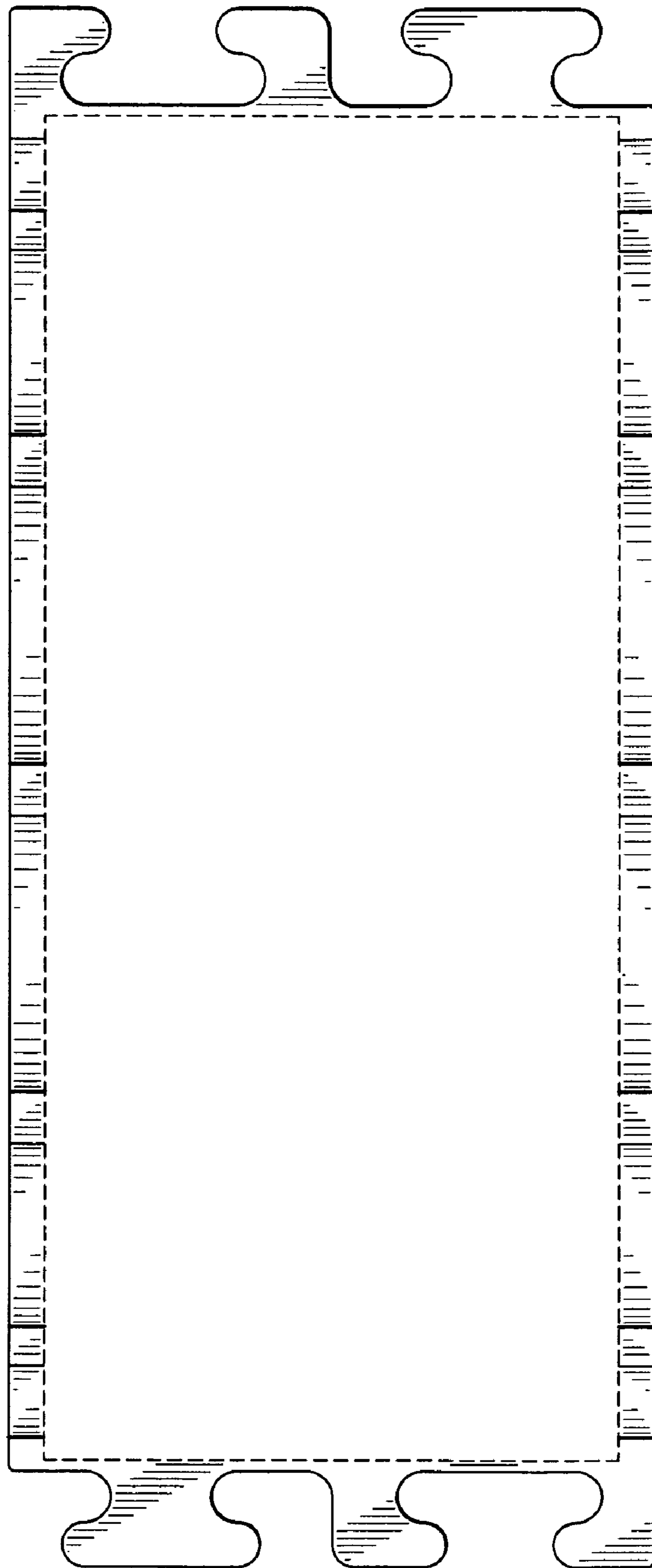


FIG. 5