



US00D552216S

(12) **United States Design Patent**
Haug et al.

(10) **Patent No.:** **US D552,216 S**

(45) **Date of Patent:** **** Oct. 2, 2007**

(54) **HANDLE**

(75) Inventors: **Andreas Haug**, Stuttgart (DE); **Tom Schönherr**, Stuttgart (DE); **Andreas Dimitriadis**, Lorch (DE); **Fabian Kollmann**, Stuttgart (DE); **Johann Dück**, Stuttgart (DE)

(73) Assignee: **Hansgrohe AG**, Schiltach (DE)

(**) Term: **14 Years**

(21) Appl. No.: **29/233,481**

(22) Filed: **Jul. 5, 2005**

(30) **Foreign Application Priority Data**

Jan. 12, 2005 (EM) 000278569-0008

(51) **LOC (8) Cl.** **23-01**

(52) **U.S. Cl.** **D23/252**

(58) **Field of Classification Search** D23/238-257;
D8/250-257, 300-322, DIG. 3; 16/110.1;
4/675-678; 137/801

See application file for complete search history.

(56) **References Cited**

U.S. PATENT DOCUMENTS

D287,164 S * 12/1986 Piesco D23/252

D517,655 S * 3/2006 Ogata et al. D23/241

D524,416 S * 7/2006 Haug et al. D23/238

D527,803 S * 9/2006 Chu et al. D23/252

D538,401 S * 3/2007 Miyamoto D23/241

* cited by examiner

Primary Examiner—Louis S. Zarfes

Assistant Examiner—G. Andoll

(74) *Attorney, Agent, or Firm*—Edgar A. Zarins; Lloyd D. Doigan

(57) **CLAIM**

The ornamental design for a handle, as shown and described.

DESCRIPTION

FIG. 1 is a front perspective view of a handle showing our design;

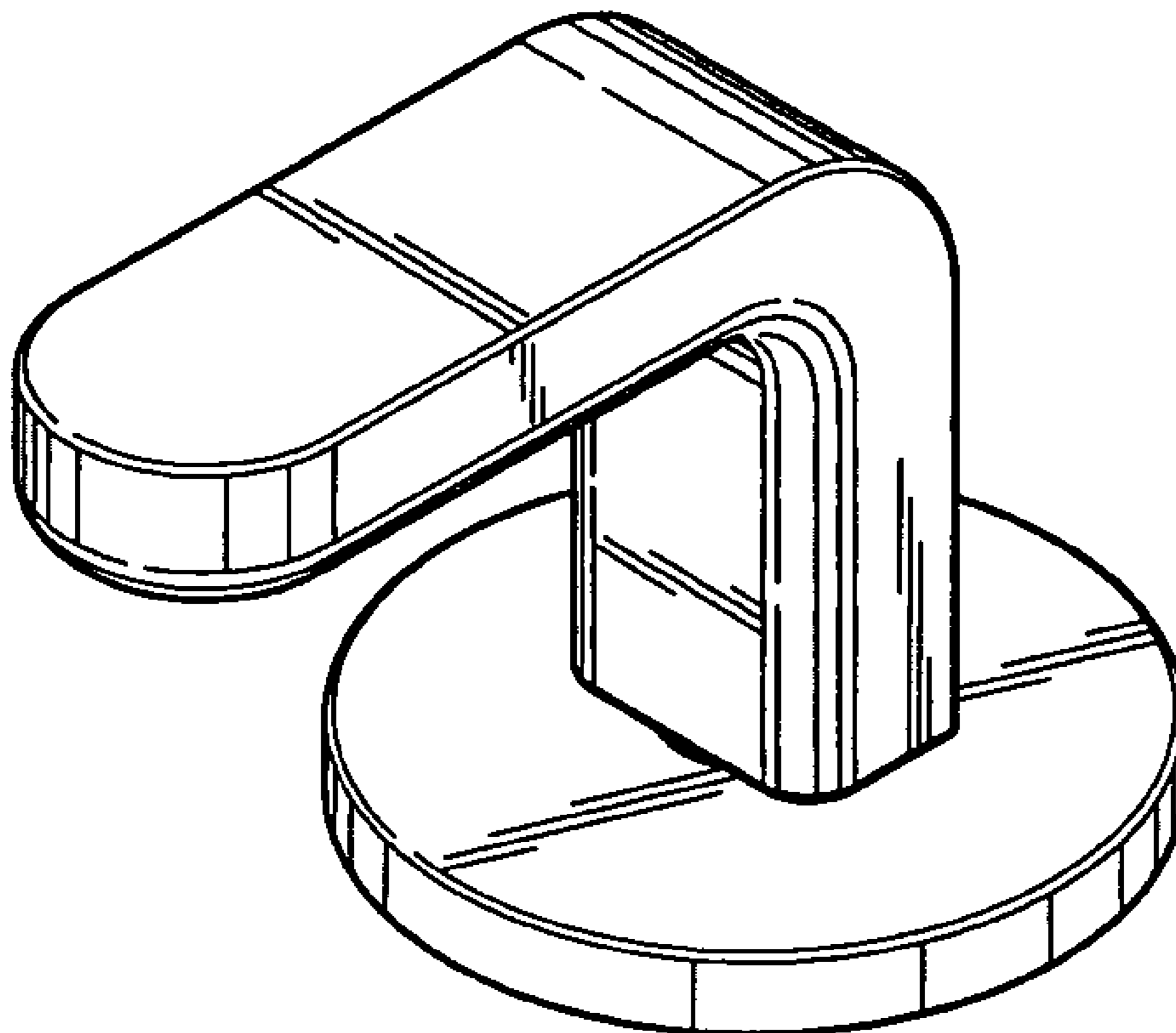
FIG. 2 is a front elevational view thereof;

FIG. 3 is a rear elevational view thereof;

FIG. 4 is a top plan view thereof; and,

FIG. 5 is a left side elevational view thereof; the right side elevational view being a mirror image thereof.

1 Claim, 2 Drawing Sheets



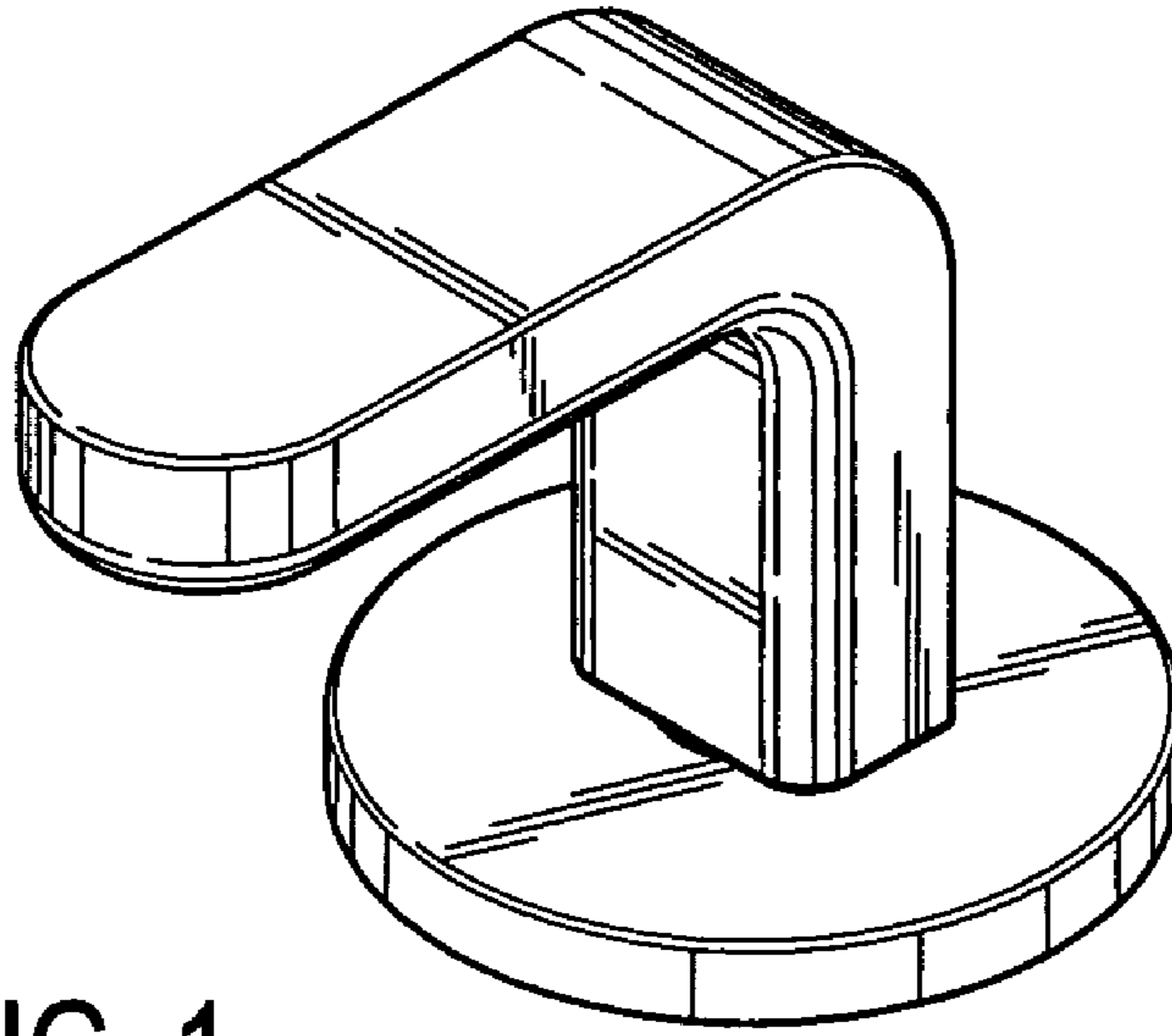


FIG. 1

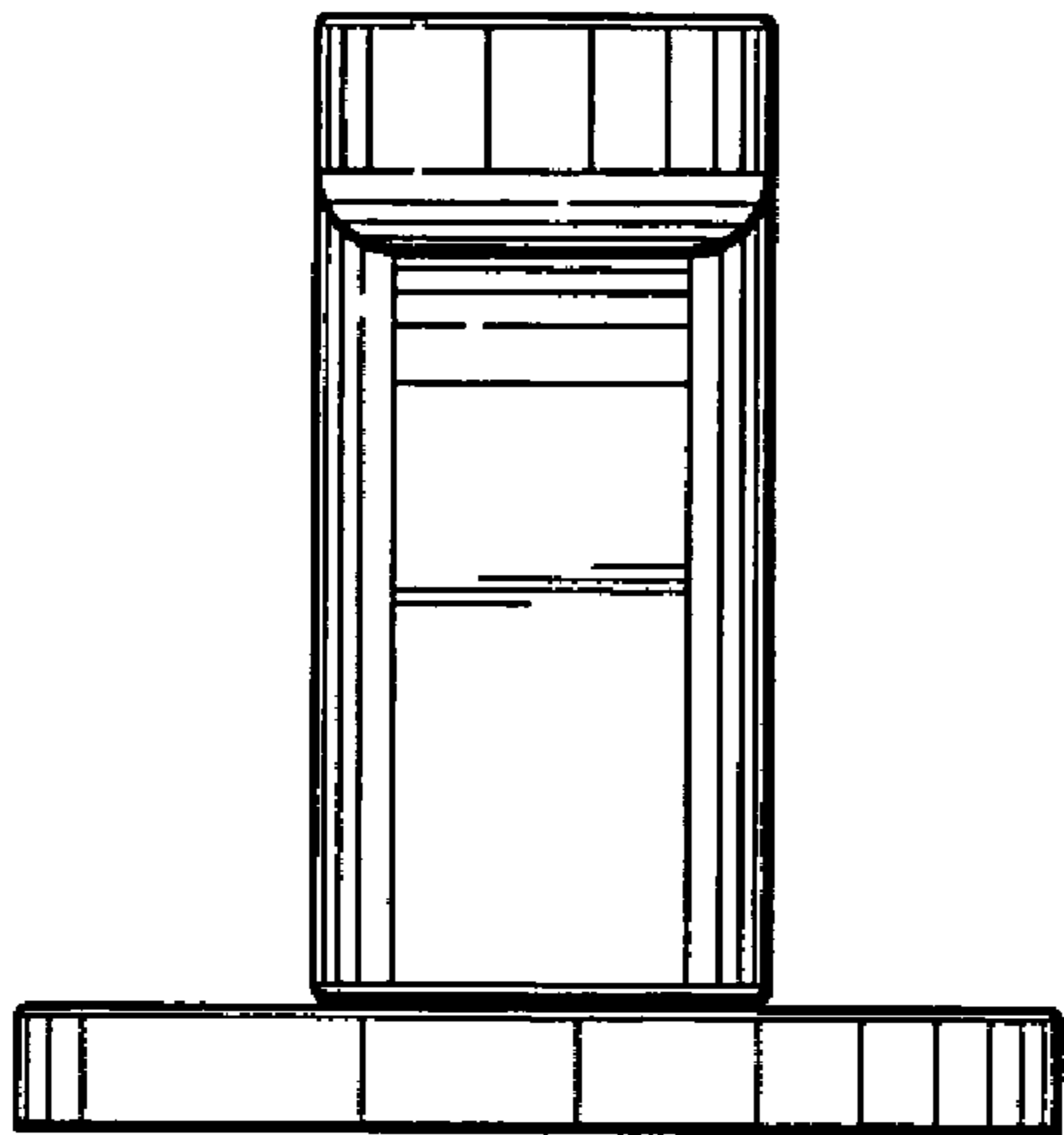


FIG. 2

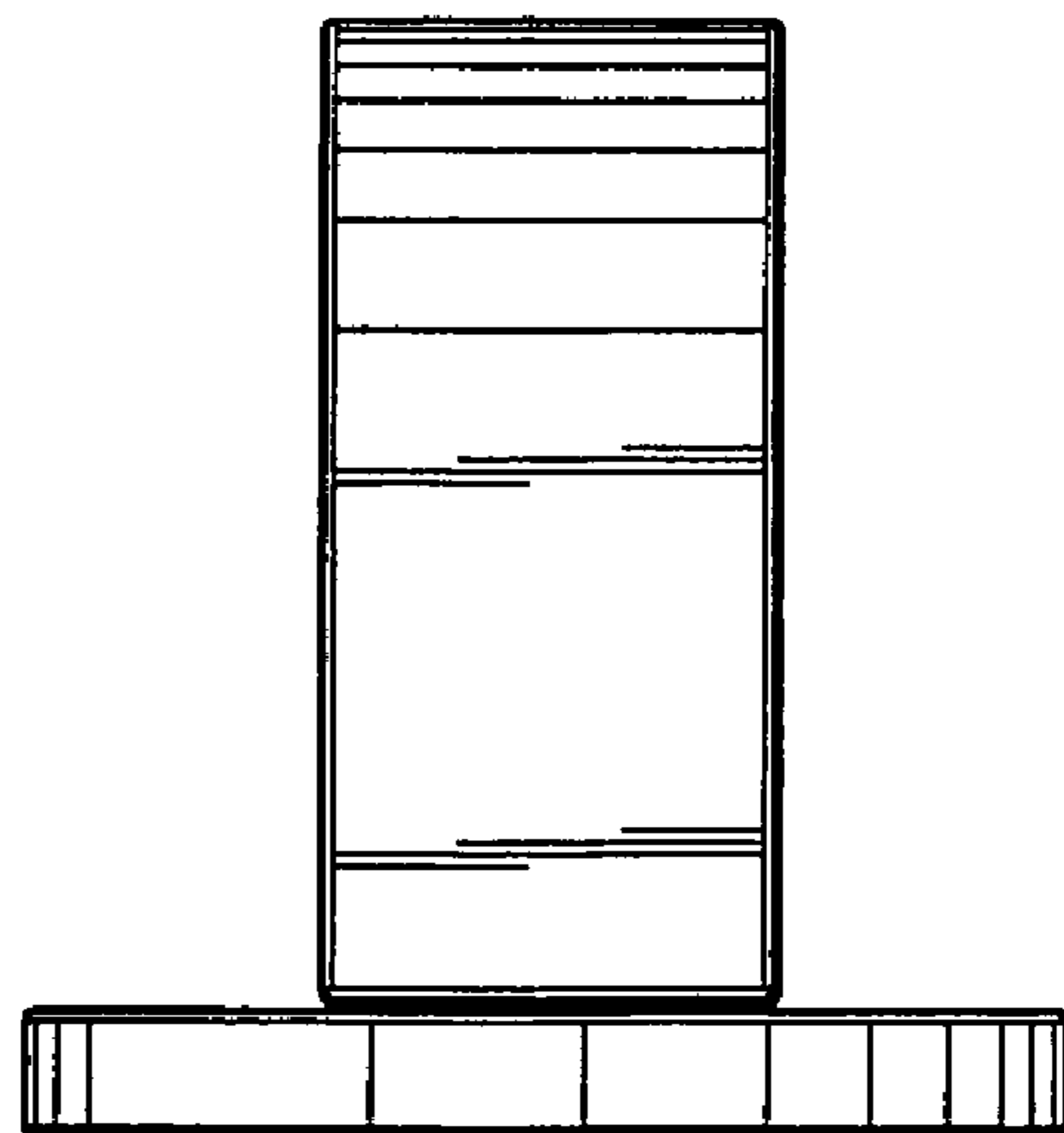


FIG. 3

FIG. 4

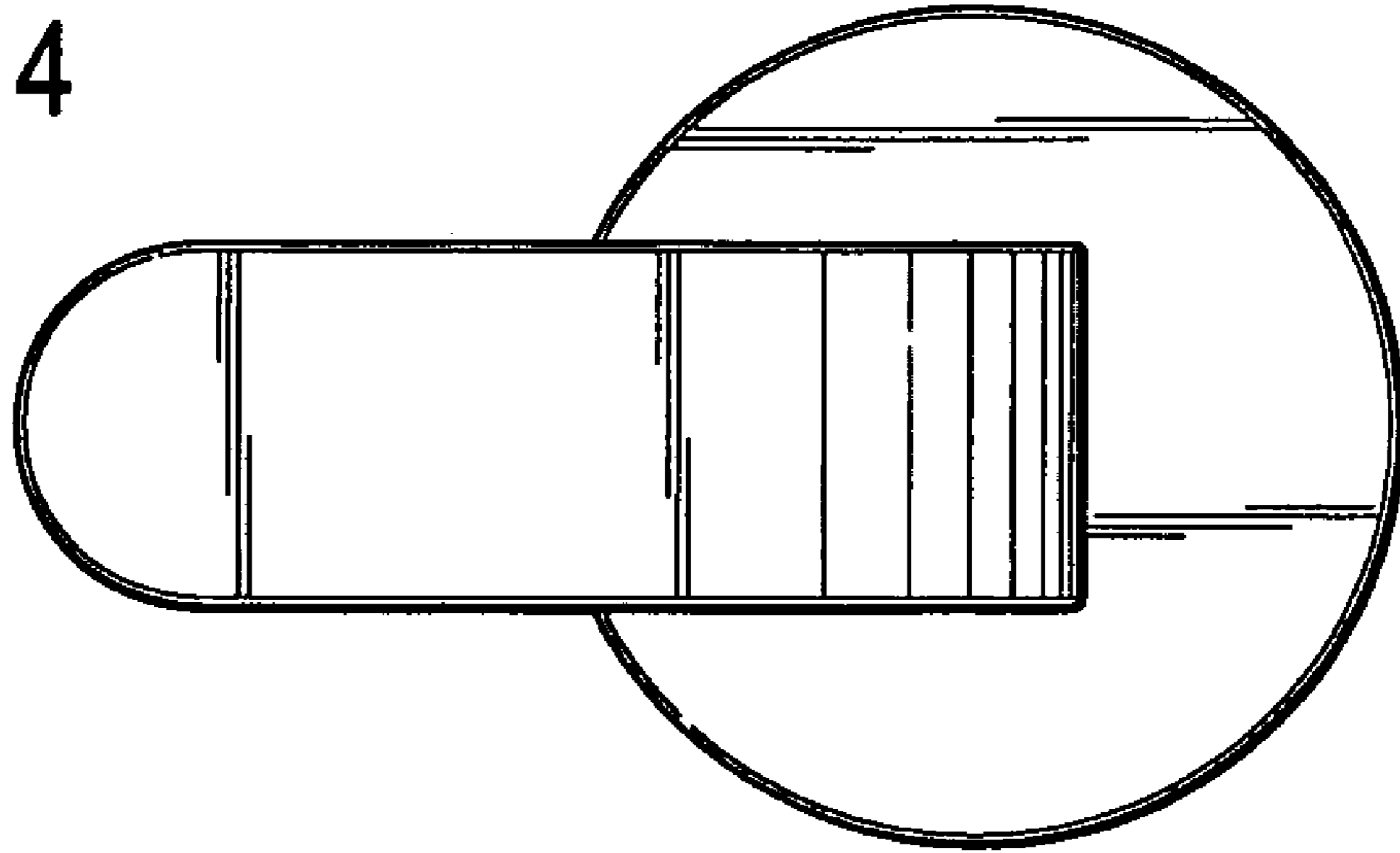


FIG. 5

